



US00D566320S

(12) **United States Design Patent**
Kim

(10) **Patent No.:** **US D566,320 S**

(45) **Date of Patent:** **** Apr. 8, 2008**

(54) **ILLUMINANT**

(76) Inventor: **Daehong Kim**, 460 W. 24th St., Apt. 7F,
New York, NY (US) 10011

(**) Term: **14 Years**

(21) Appl. No.: **29/273,794**

(22) Filed: **Mar. 14, 2007**

(51) **LOC (8) Cl.** **26-03**

(52) **U.S. Cl.** **D26/88; D26/90**

(58) **Field of Classification Search** D26/72,
D26/80, 85, 86, 88, 90, 91; 362/147, 404-408,
362/811

See application file for complete search history.

(56) **References Cited**

U.S. PATENT DOCUMENTS

1,090,795	A	*	3/1914	Schoendardt	362/355
D48,146	S	*	11/1915	Adam	D26/88
D66,064	S	*	11/1924	Berkowitz	D26/88
D97,997	S	*	12/1935	Glatthar et al.	D26/88
D267,120	S	*	11/1982	Asbury	D26/58
D469,562	S	*	1/2003	Crasset	D26/90
2005/0152149	A1	*	7/2005	Bayer	362/404

OTHER PUBLICATIONS

George Kovacs Swarovski Crystals Cylinder Pendant #10726 found
at lampsplus.com on Sep. 19, 2007.*

“Dervish” 3-Light Italian Pendant #12530 found at LBCLighting.com on Sep. 19, 2007.*

* cited by examiner

Primary Examiner—Clare E Heflin

(74) *Attorney, Agent, or Firm*—Wenderoth, Lind & Ponack,
L.L.P.

(57) **CLAIM**

The ornamental design for an illuminant, as shown and described.

DESCRIPTION

FIG. 1 is an oblique top view of the illuminant;
FIG. 2 is a front view of the illuminant according to FIG. 1;
FIG. 3 is a bottom view of the illuminant according to FIG. 1;
FIG. 4 is a side view of the illuminant according to FIG. 1;
and,
FIG. 5 is an oblique bottom view of the illuminant according to FIG. 1.

The broken lines in FIGS. 1-5 are directed to environment and are for illustrative purposes only. The broken lines form no part of the claimed design.

1 Claim, 2 Drawing Sheets

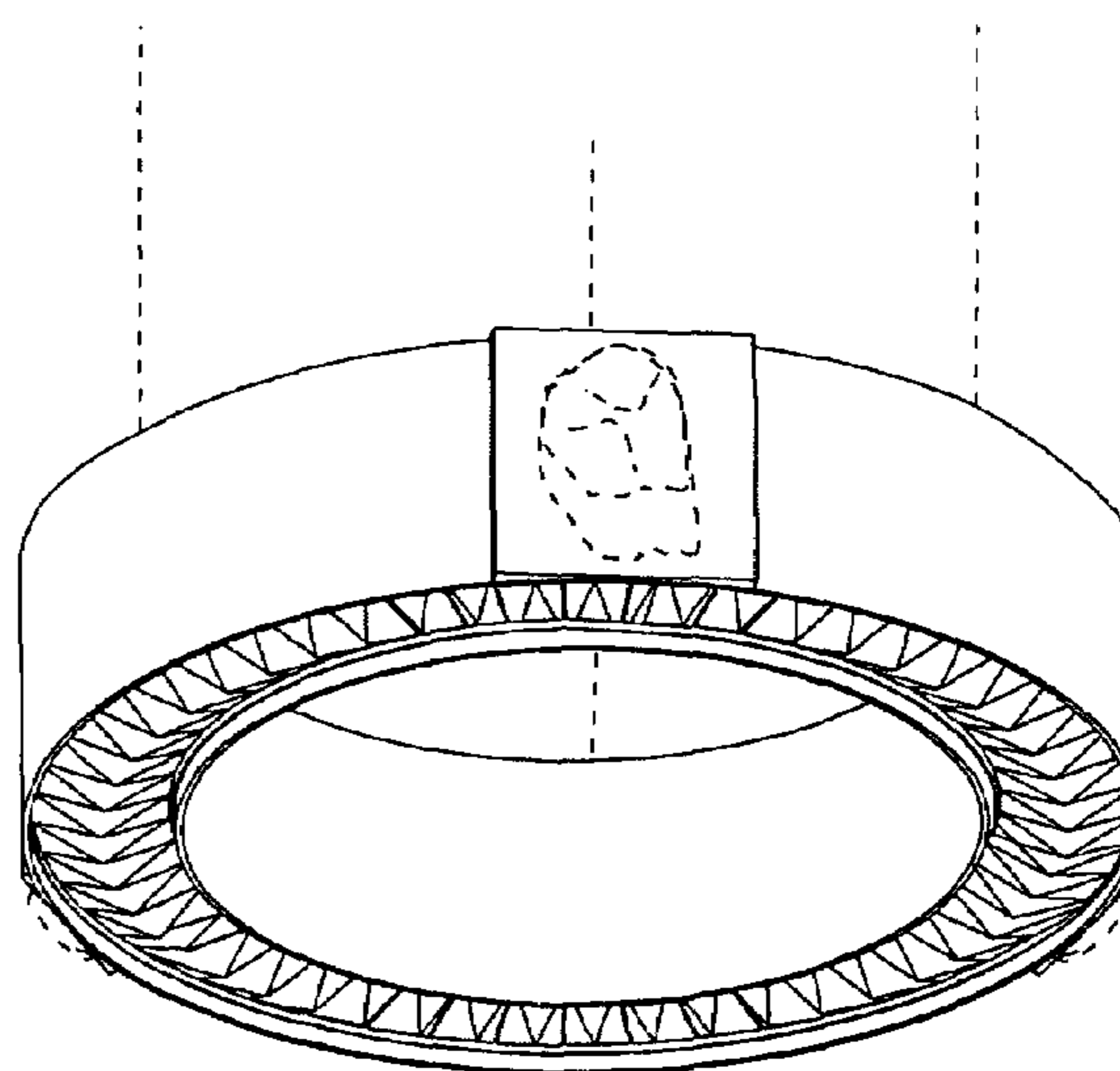
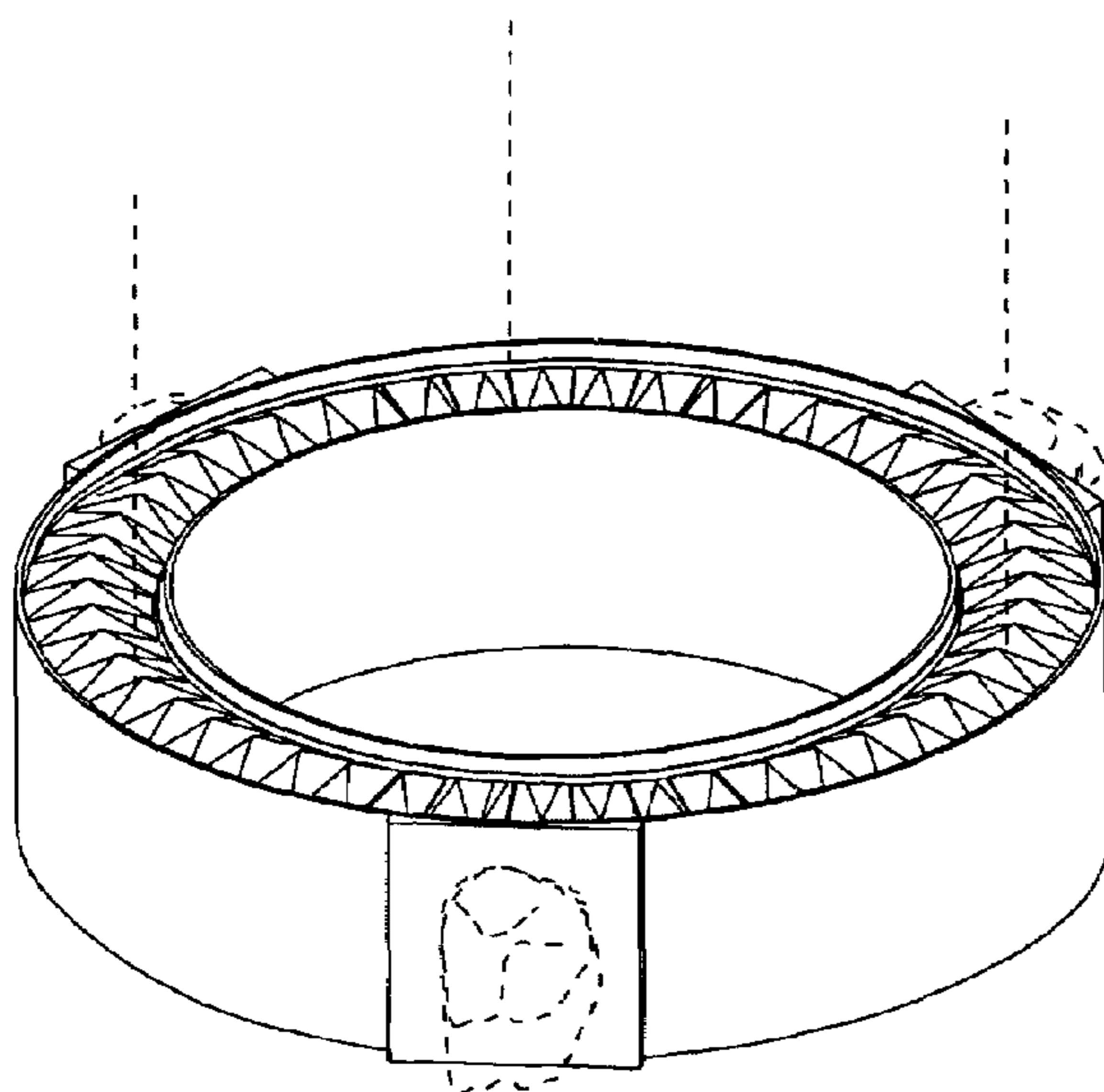


Fig. 1

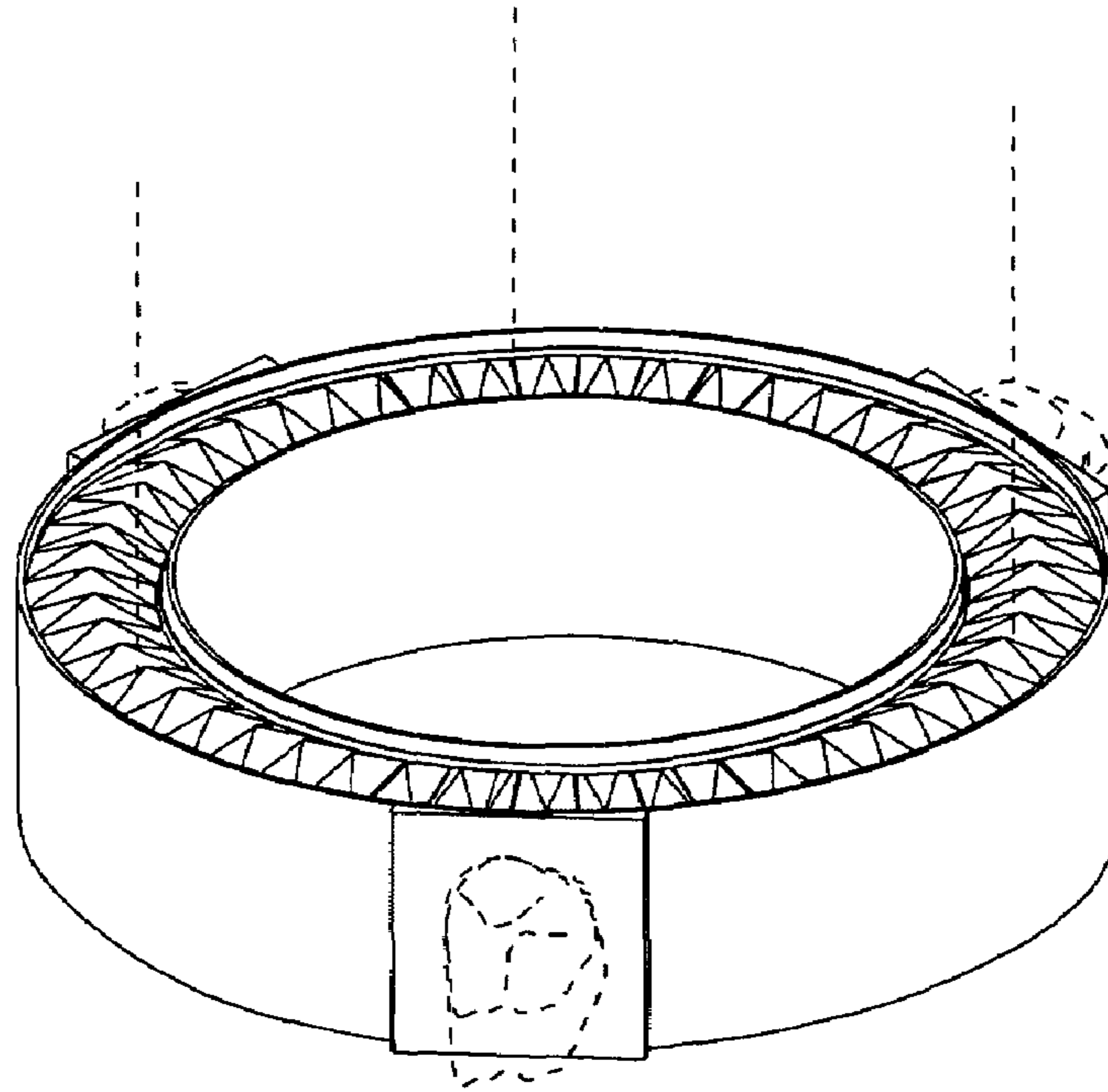


Fig. 5

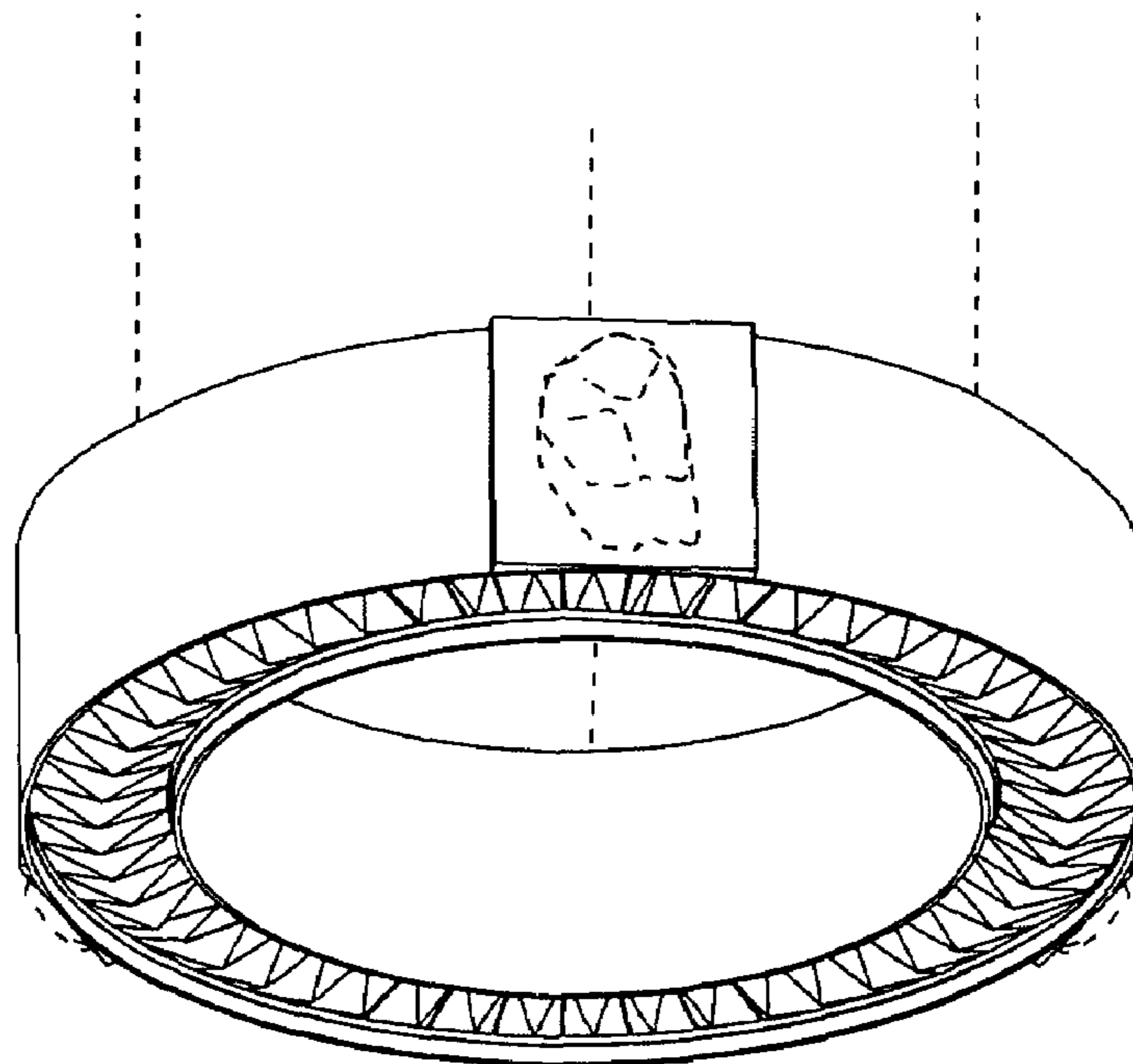


Fig. 2

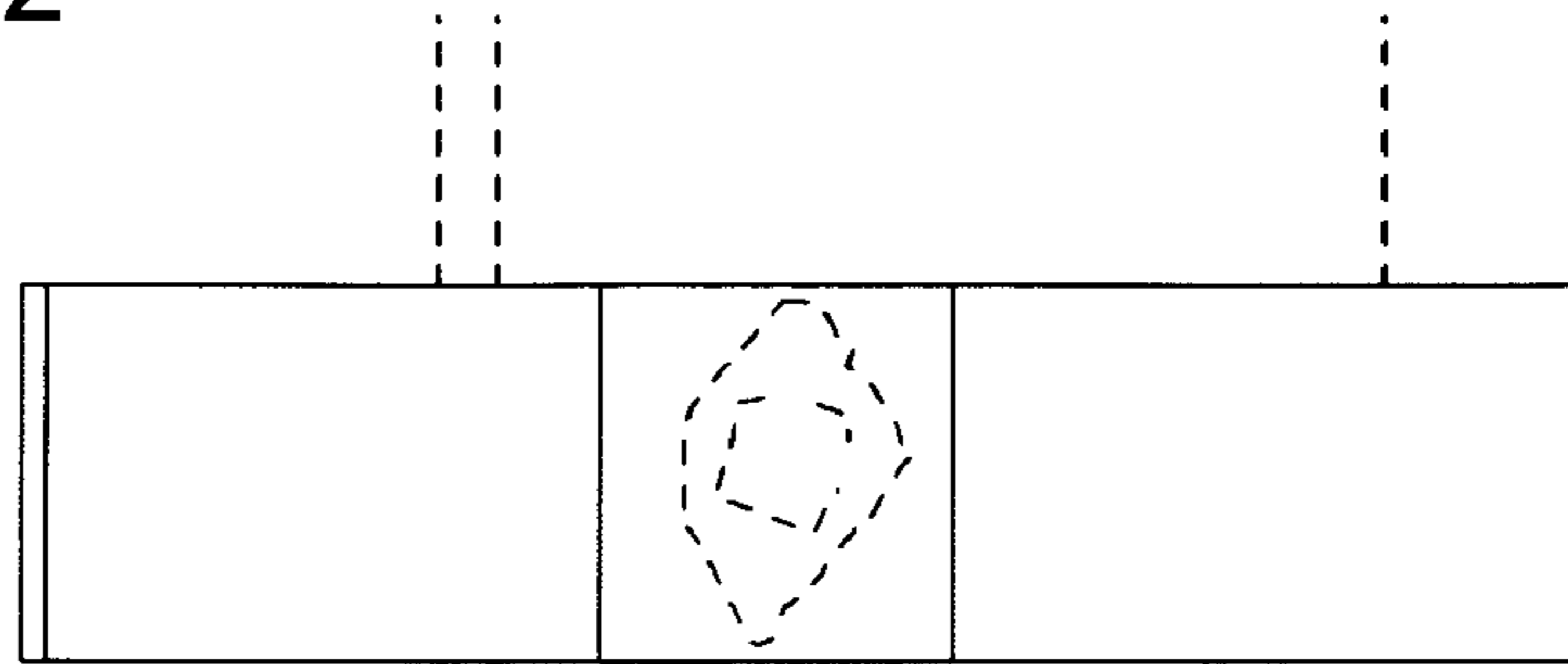


Fig. 3

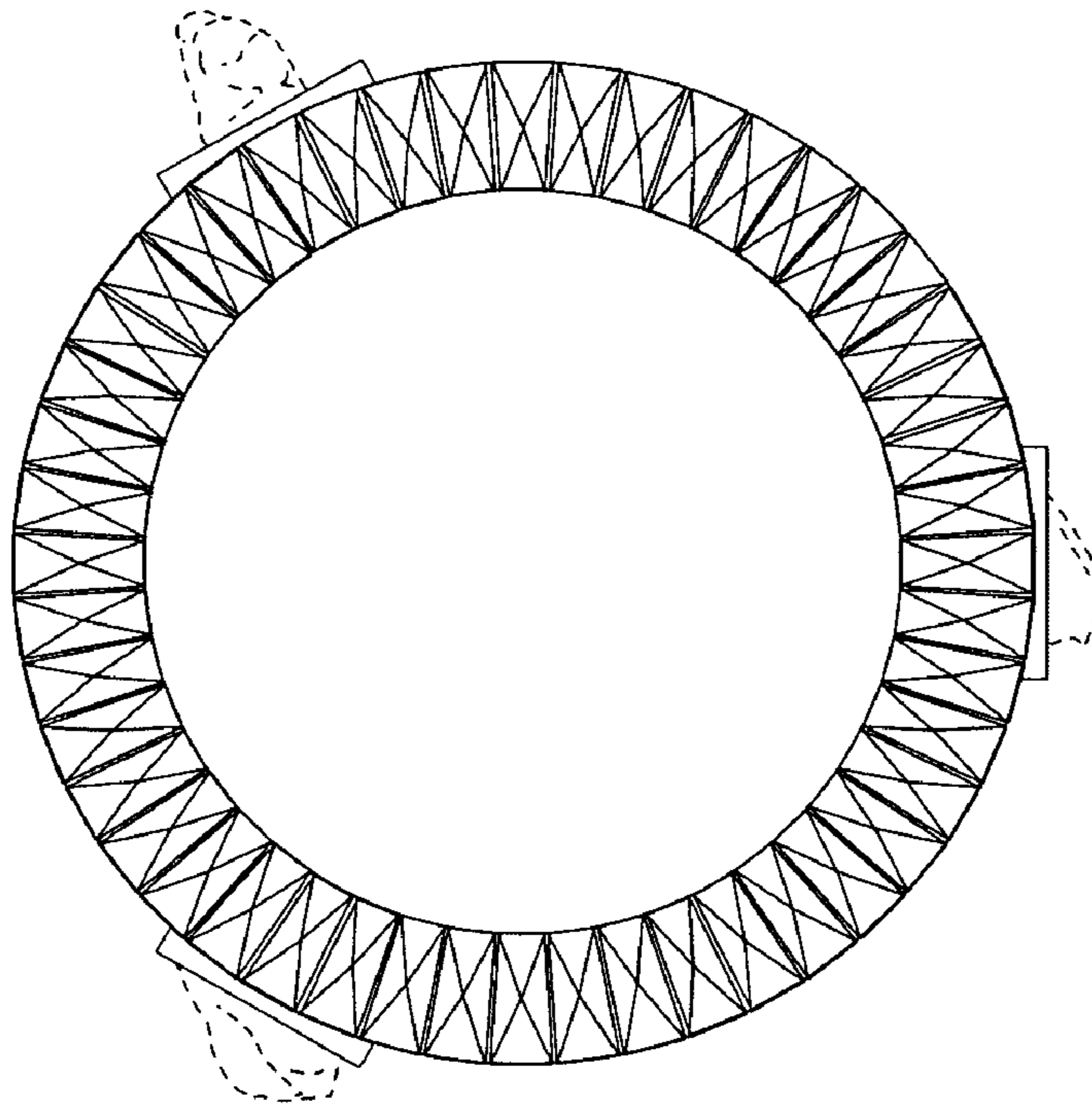


Fig. 4

