



US00D566316S

(12) **United States Design Patent**  
**Hill et al.**

(10) **Patent No.:** **US D566,316 S**

(45) **Date of Patent:** **\*\* Apr. 8, 2008**

(54) **LAMP LIGHT**

(75) Inventors: **Ambreese S. Hill**, Jacksonville, FL  
(US); **Robert Schultz**, Memphis, TN  
(US); **Nicole Ashley Moody**, Memphis,  
TN (US)

(73) Assignee: **Hunter Fan Company**, Memphis, TN  
(US)

(\*\*) Term: **14 Years**

(21) Appl. No.: **29/277,746**

(22) Filed: **Mar. 8, 2007**

(51) **LOC (8) Cl.** ..... **26-05**

(52) **U.S. Cl.** ..... **D26/59**

(58) **Field of Classification Search** ..... D23/411,  
D23/377, 379, 385; D26/59, 51, 67, 72,  
D26/80-86, 88; 416/5; 362/96

See application file for complete search history.

(56) **References Cited**

**U.S. PATENT DOCUMENTS**

1,542,768 A	6/1925	Heitz	
2,735,928 A	2/1956	Smethurst	
2,863,038 A	12/1958	Lombardo	
D252,833 S *	9/1979	Bowser	D26/85
4,177,500 A	12/1979	Nicholl et al.	
4,985,661 A	1/1991	Lin	
5,426,347 A	6/1995	Nilssen	
5,713,655 A	2/1998	Blackman	

5,734,229 A 3/1998 Bavaro et al.  
6,107,744 A 8/2000 Bavaro et al.  
2005/0157482 A1 7/2005 Hsu

\* cited by examiner

*Primary Examiner*—Lisa Lichtenstein

(74) *Attorney, Agent, or Firm*—Baker Donelson et al.

(57) **CLAIM**

The ornamental design for a lamp light, as shown and described.

**DESCRIPTION**

FIG. 1 is a perspective view of a lamp light showing our new design.

FIG. 2 is a right side view thereof.

FIG. 3 is a rear view thereof.

FIG. 4 is a left side view thereof.

FIG. 5 is a front view thereof.

FIG. 6 is a top view thereof; and,

FIG. 7 is a bottom view thereof.

The broken lines in the views show environmental features which are for illustrative purposes only and form no part of the claimed design.

The broken line showing of indicia, buttons, lights and two pull cords is included for the purpose of illustrating environmental structure and forms no part of the claimed design.

**1 Claim, 4 Drawing Sheets**

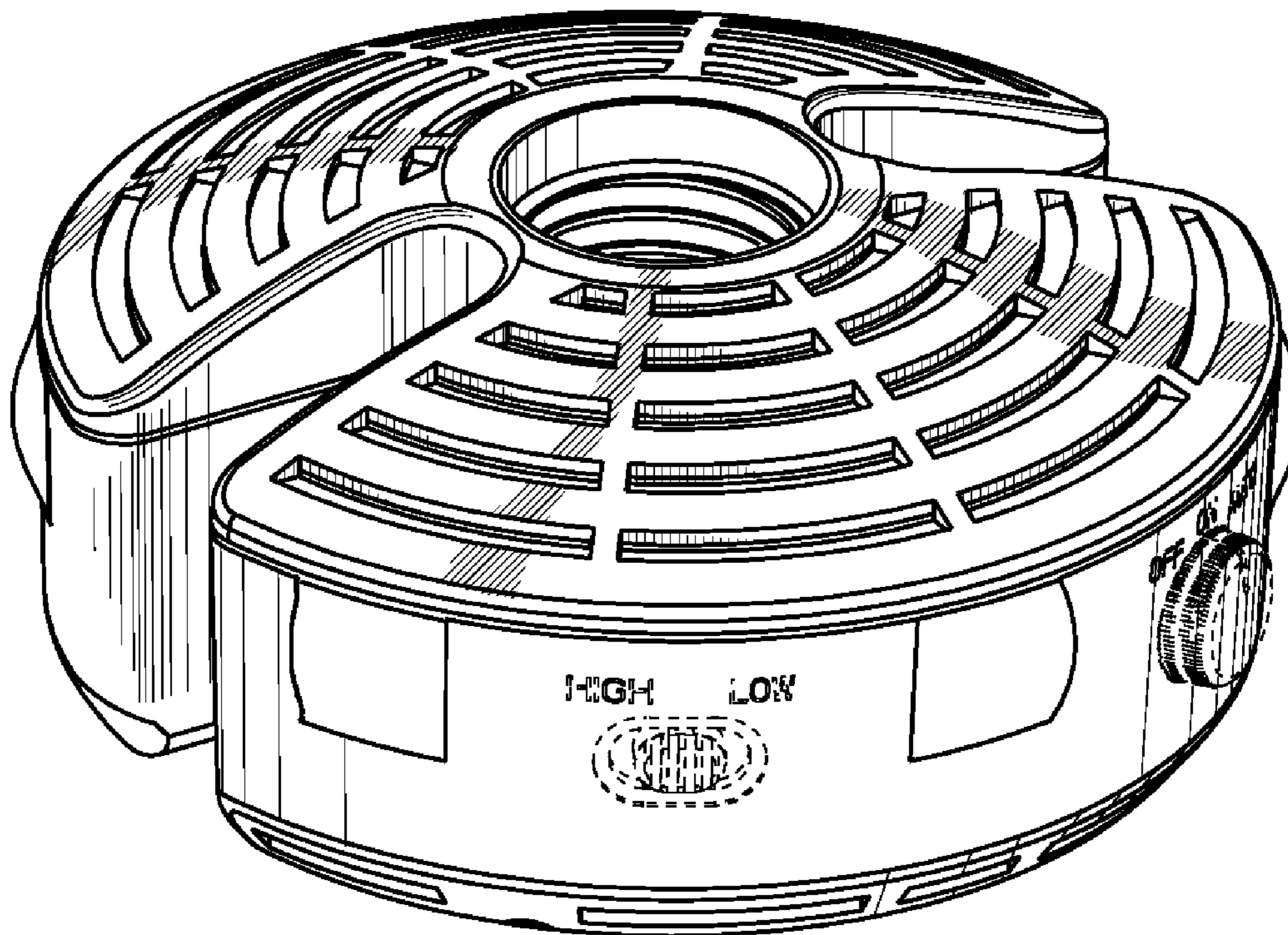


Fig. 1

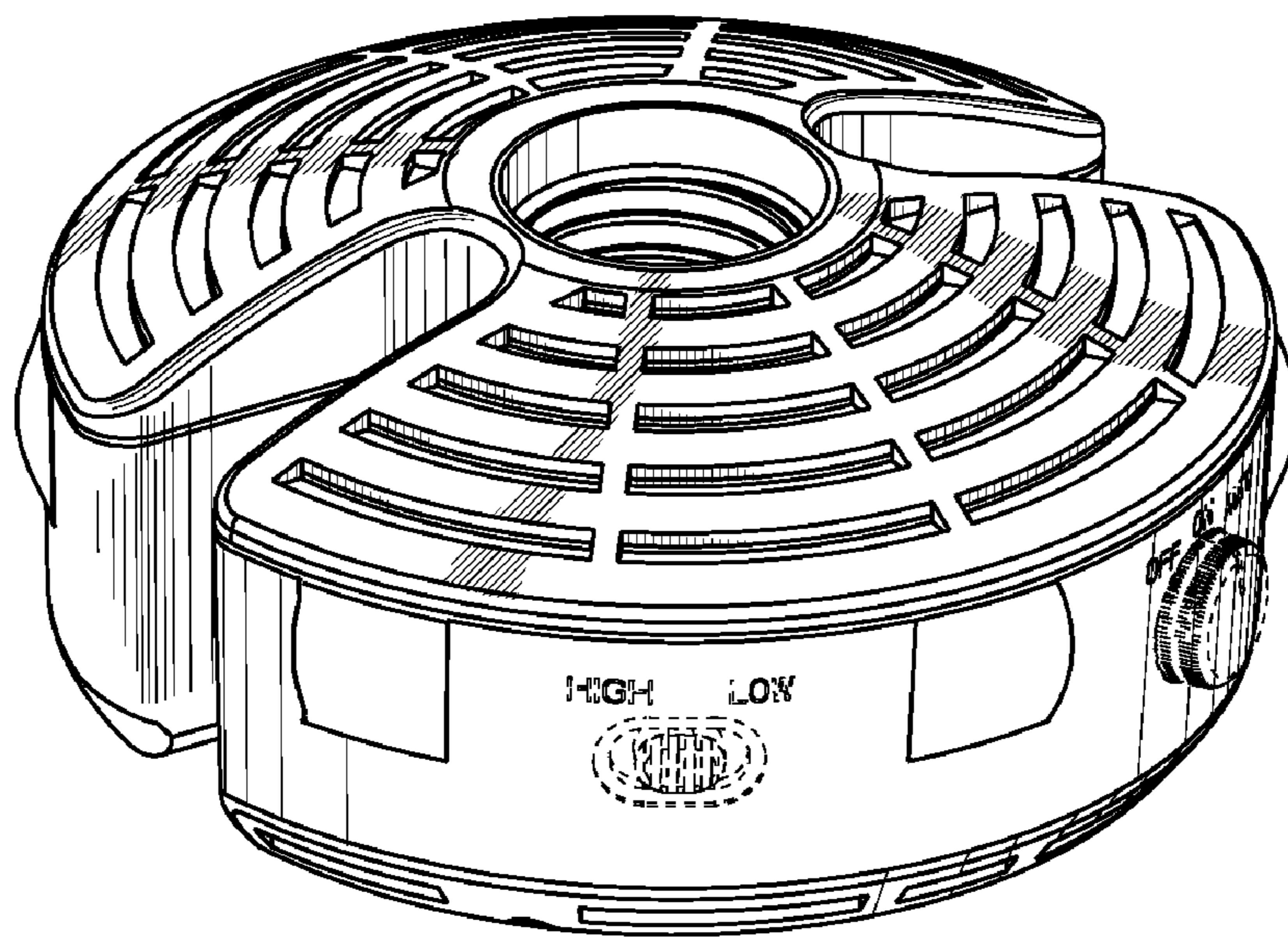


Fig. 2

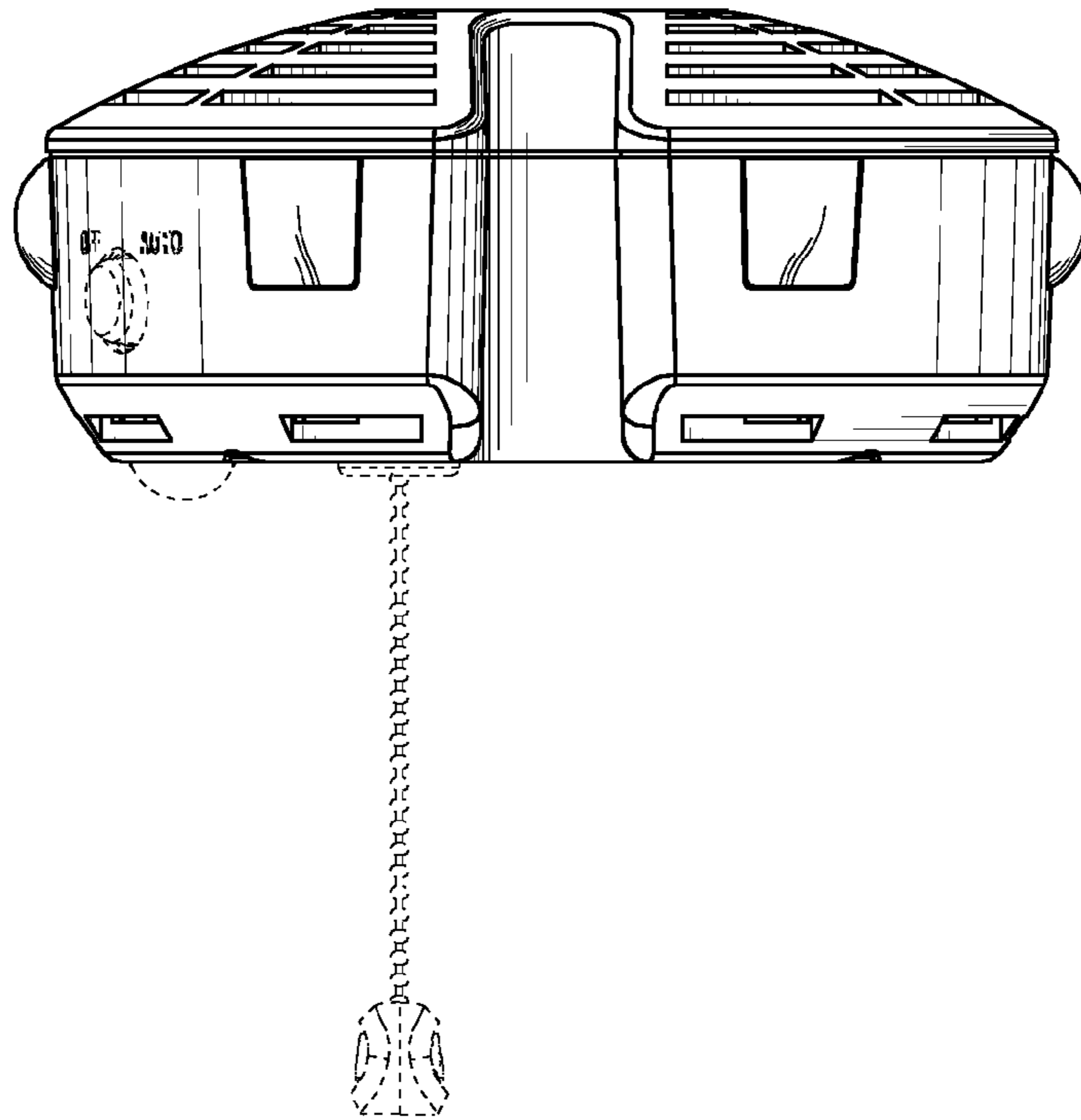


Fig. 3

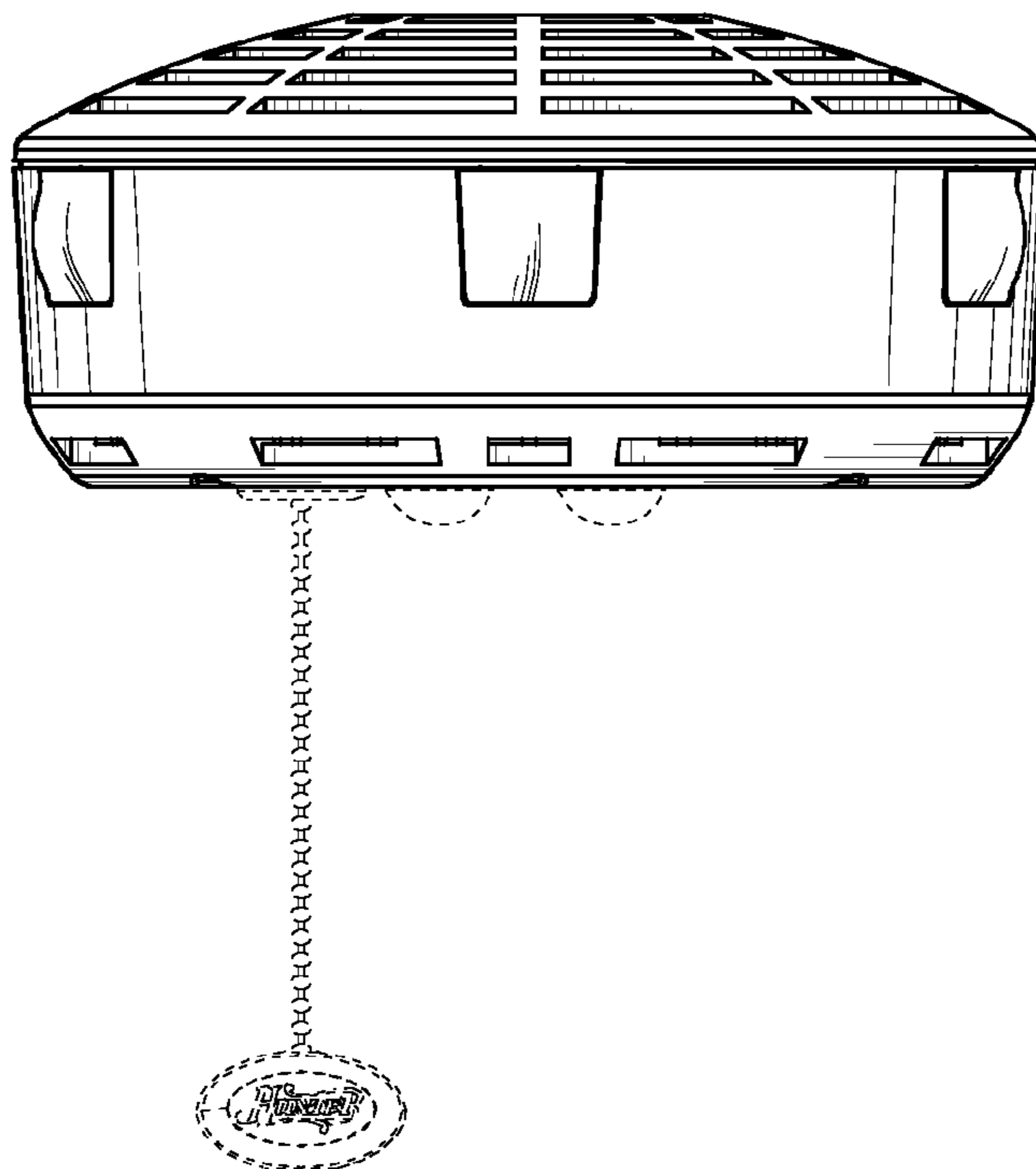


Fig. 4

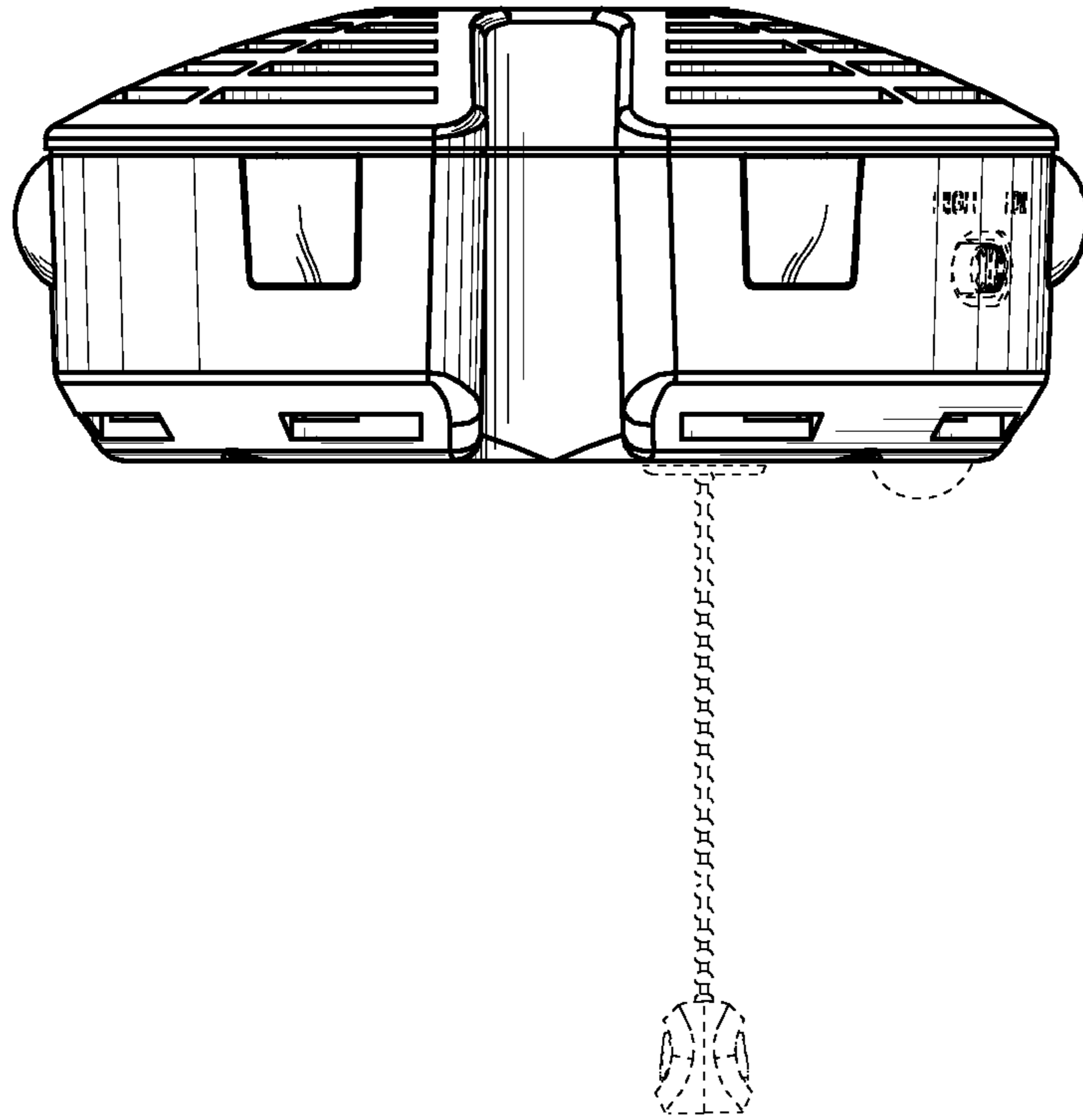


Fig. 5

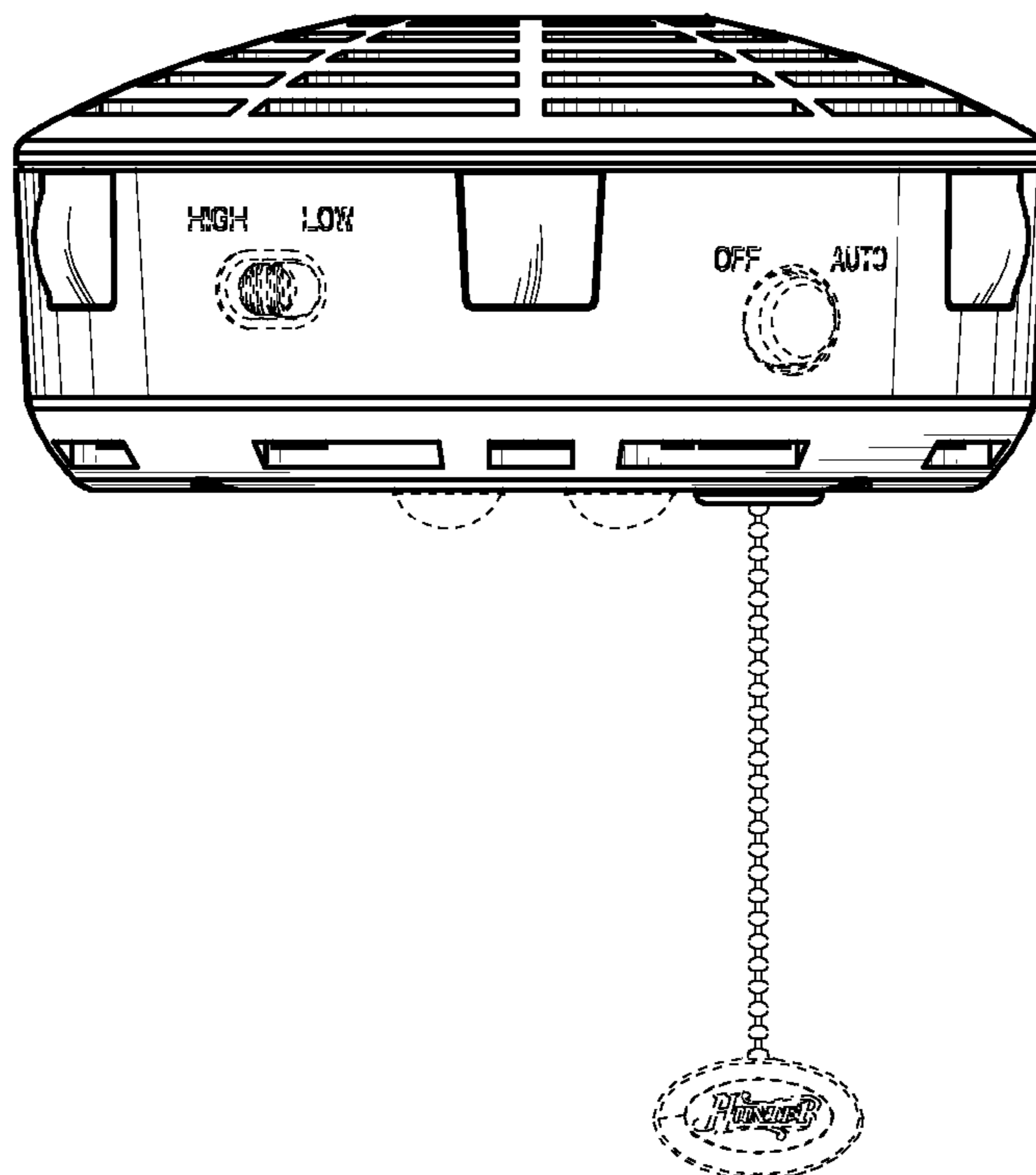


Fig. 6

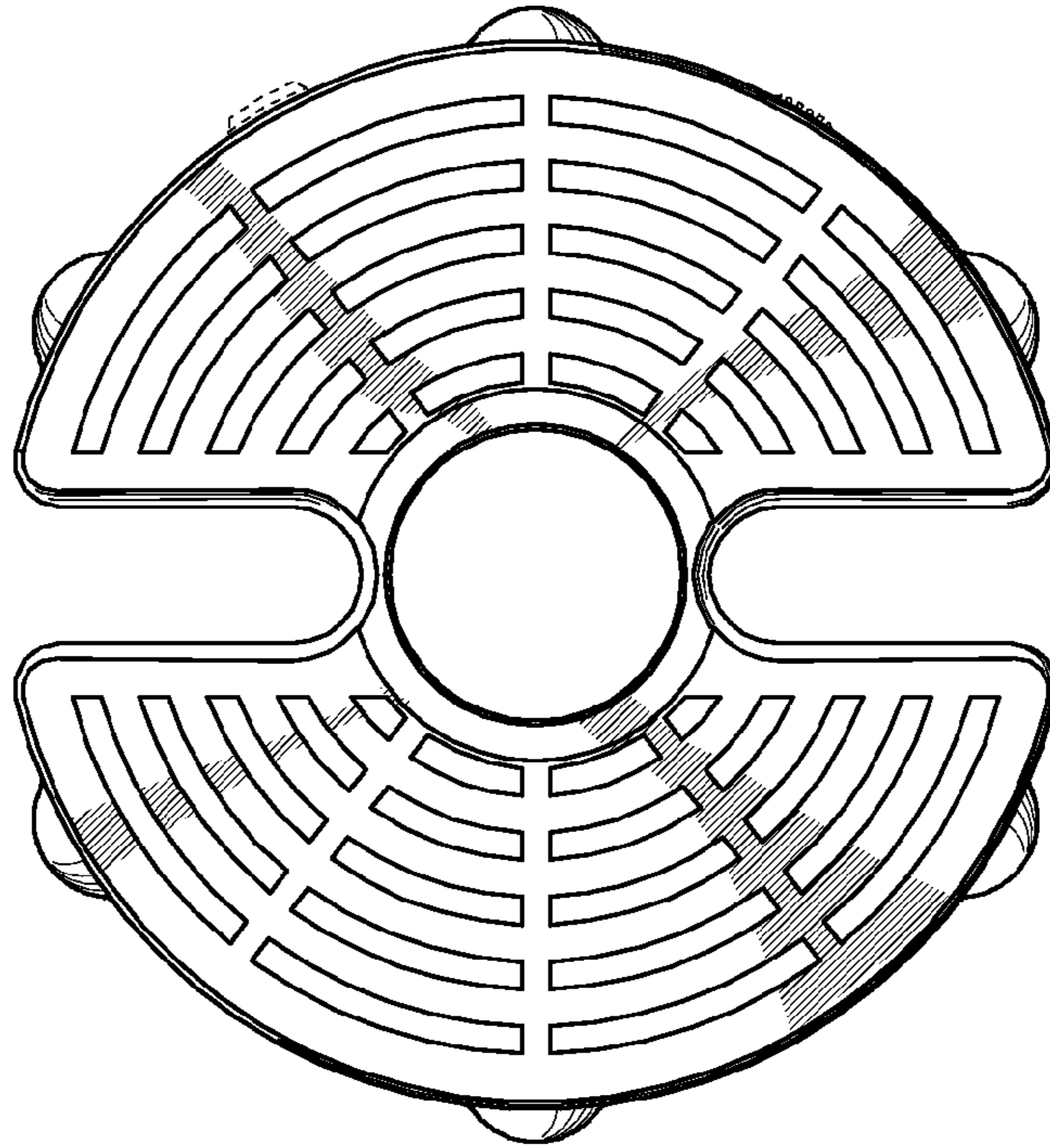


Fig. 7

