



US00D566311S

(12) **United States Design Patent**
Schnell

(10) **Patent No.:** **US D566,311 S**

(45) **Date of Patent:** **** Apr. 8, 2008**

(54) **LIGHT WITH HAT CLIP**

(75) Inventor: **Tim Schnell**, Rancho Santa Fe, CA
(US)

(73) Assignee: **IP Holdings, Inc.**, Grand Prairie, TX
(US)

(**) Term: **14 Years**

(21) Appl. No.: **29/283,331**

(22) Filed: **Aug. 10, 2007**

(51) **LOC (8) Cl.** **26-02**

(52) **U.S. Cl.** **D26/39**

(58) **Field of Classification Search** D26/37-50;
362/157, 158, 171-174, 183-208
See application file for complete search history.

(56) **References Cited**

U.S. PATENT DOCUMENTS

D541,452 S	*	4/2007	Schnell	D26/39
D544,121 S	*	6/2007	Yang	D26/39
D553,279 S	*	10/2007	Yang	D26/39

* cited by examiner

Primary Examiner—Marcus A. Jackson

(74) *Attorney, Agent, or Firm*—Schwegman, Lundberg & Woessner, P.A.

(57) **CLAIM**

The ornamental design for a light with hat clip, as shown and described.

DESCRIPTION

FIG. 1 is a perspective view of a light with hat clip, incorporating the new design;

FIG. 2 is a front view of the light with hat clip of FIG. 1;

FIG. 3 is a back view of the light with hat clip of FIG. 1;

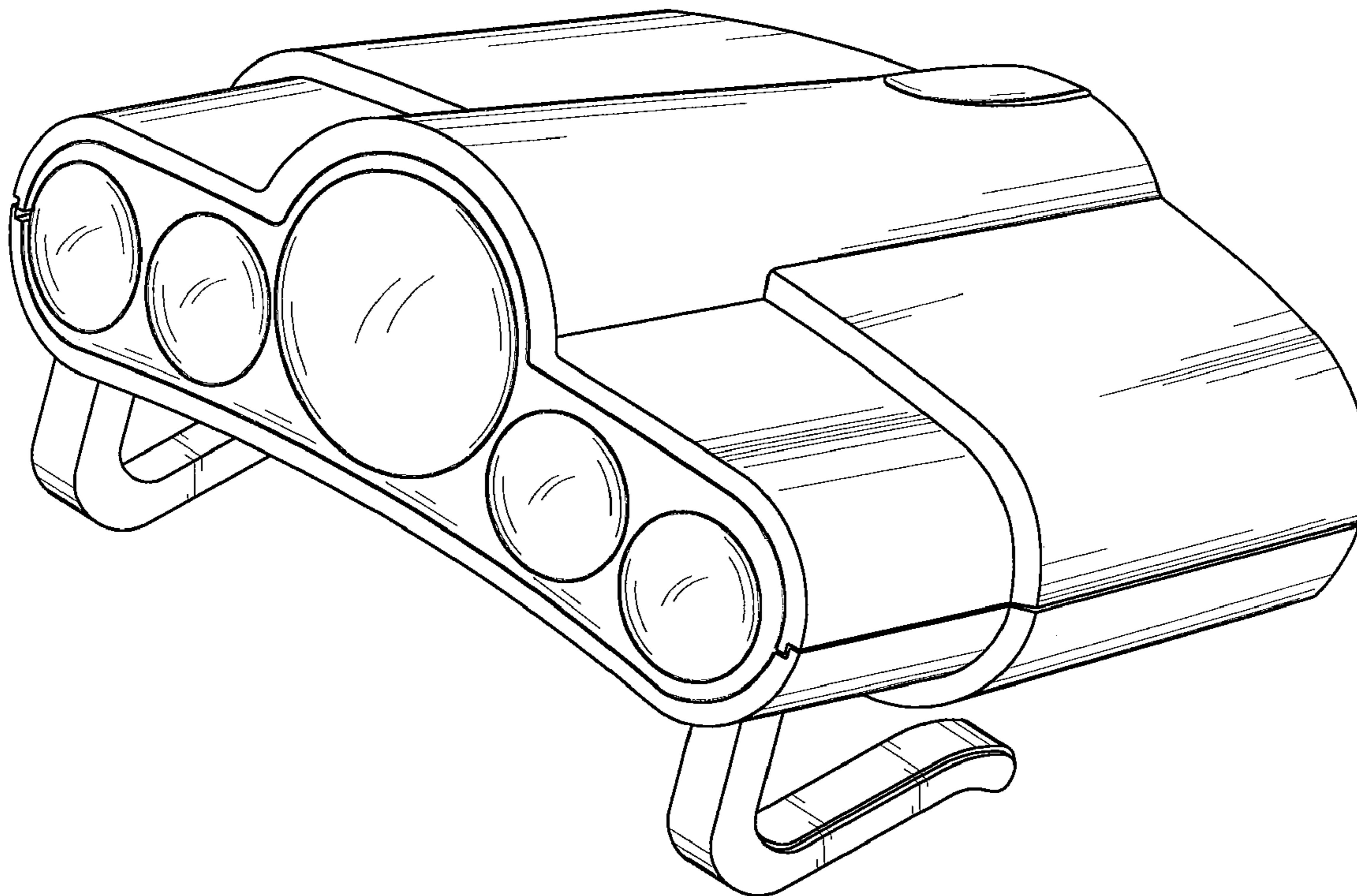
FIG. 4 is a top view of the light with hat clip of FIG. 1;

FIG. 5 is a bottom view of the light with hat clip of FIG. 1;

FIG. 6 is a left side of the light with hat clip of FIG. 1; and,

FIG. 7 is a right side of the light with hat clip of FIG. 1.

1 Claim, 4 Drawing Sheets



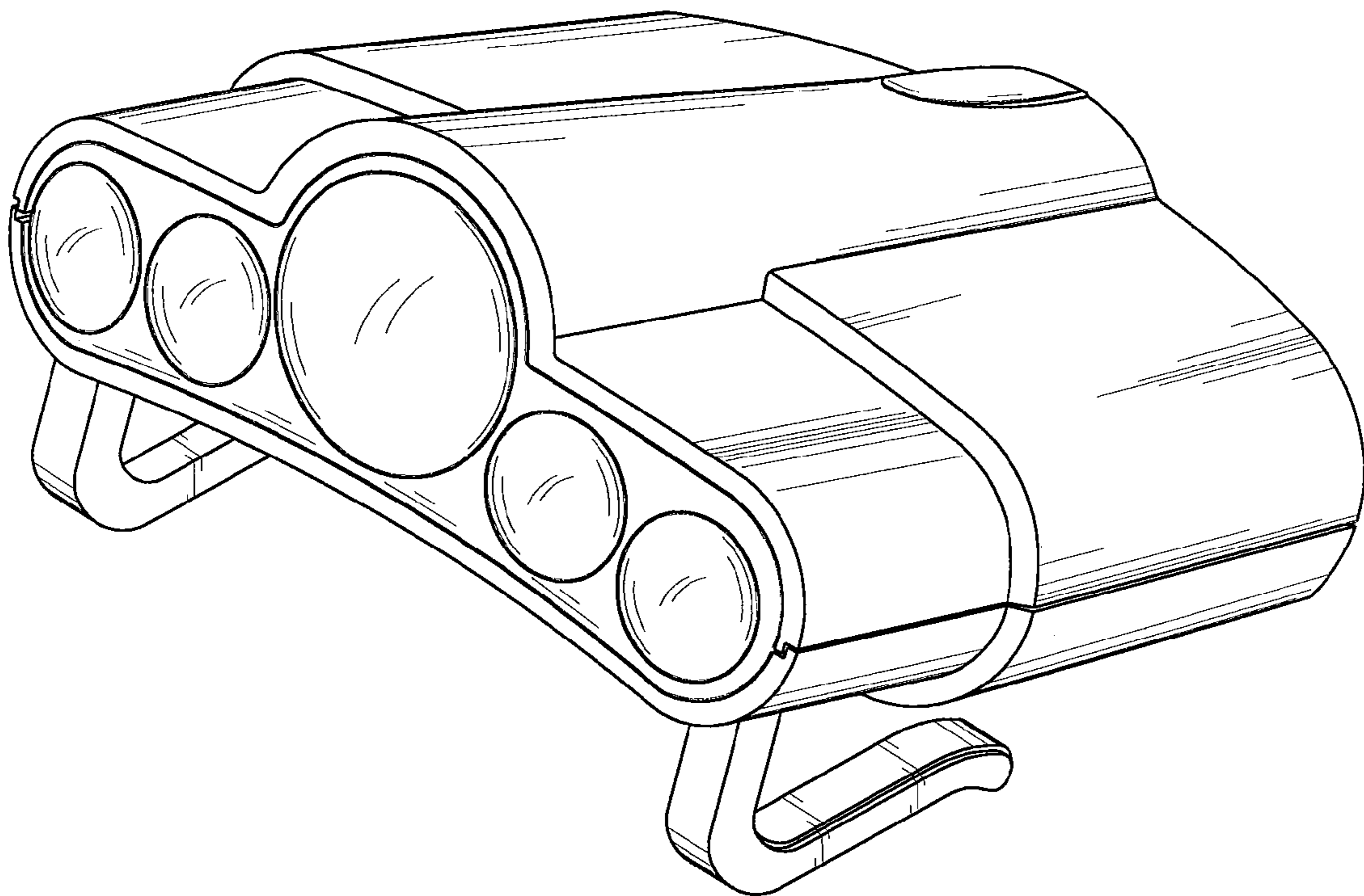


FIG. 1

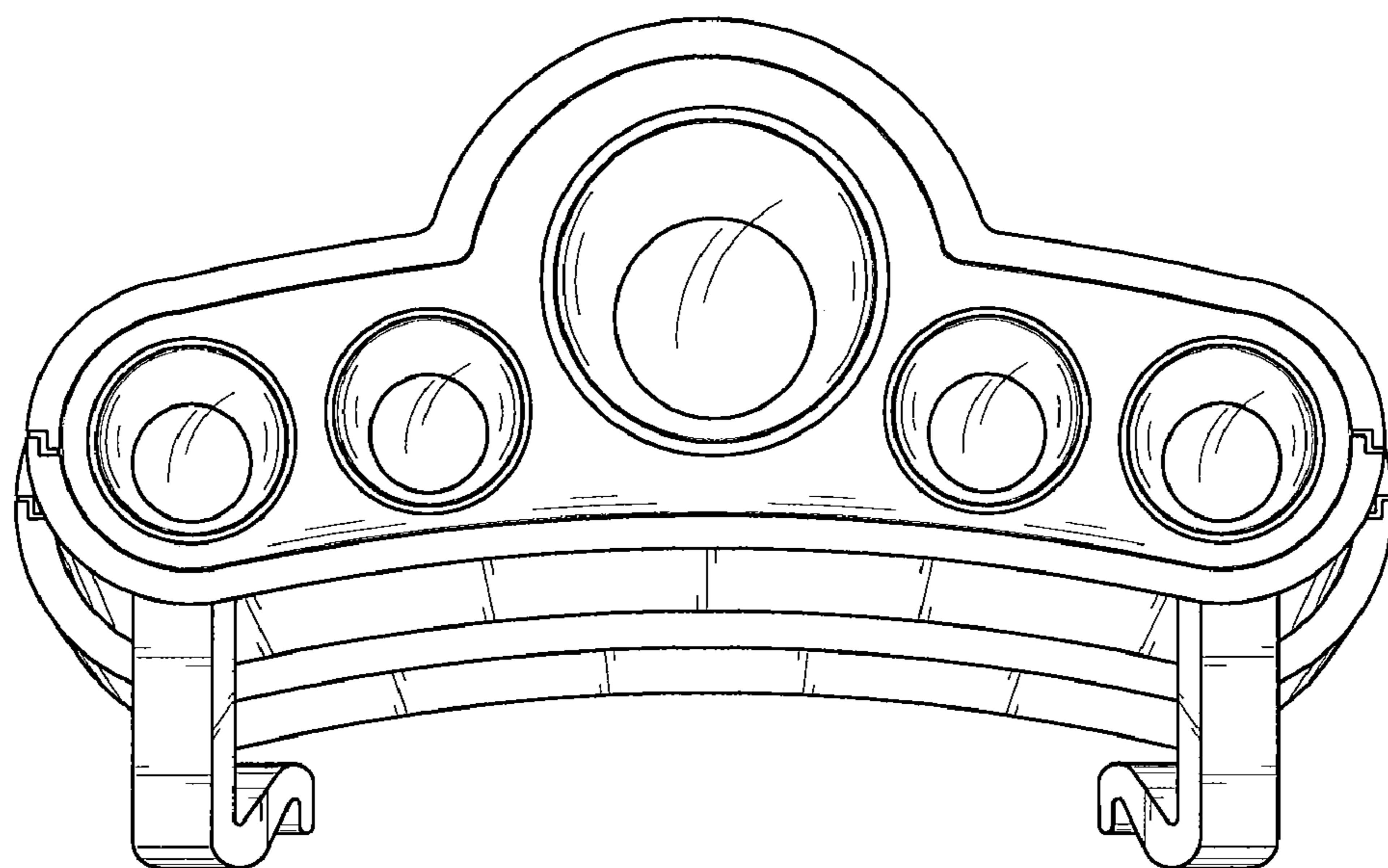


FIG. 2

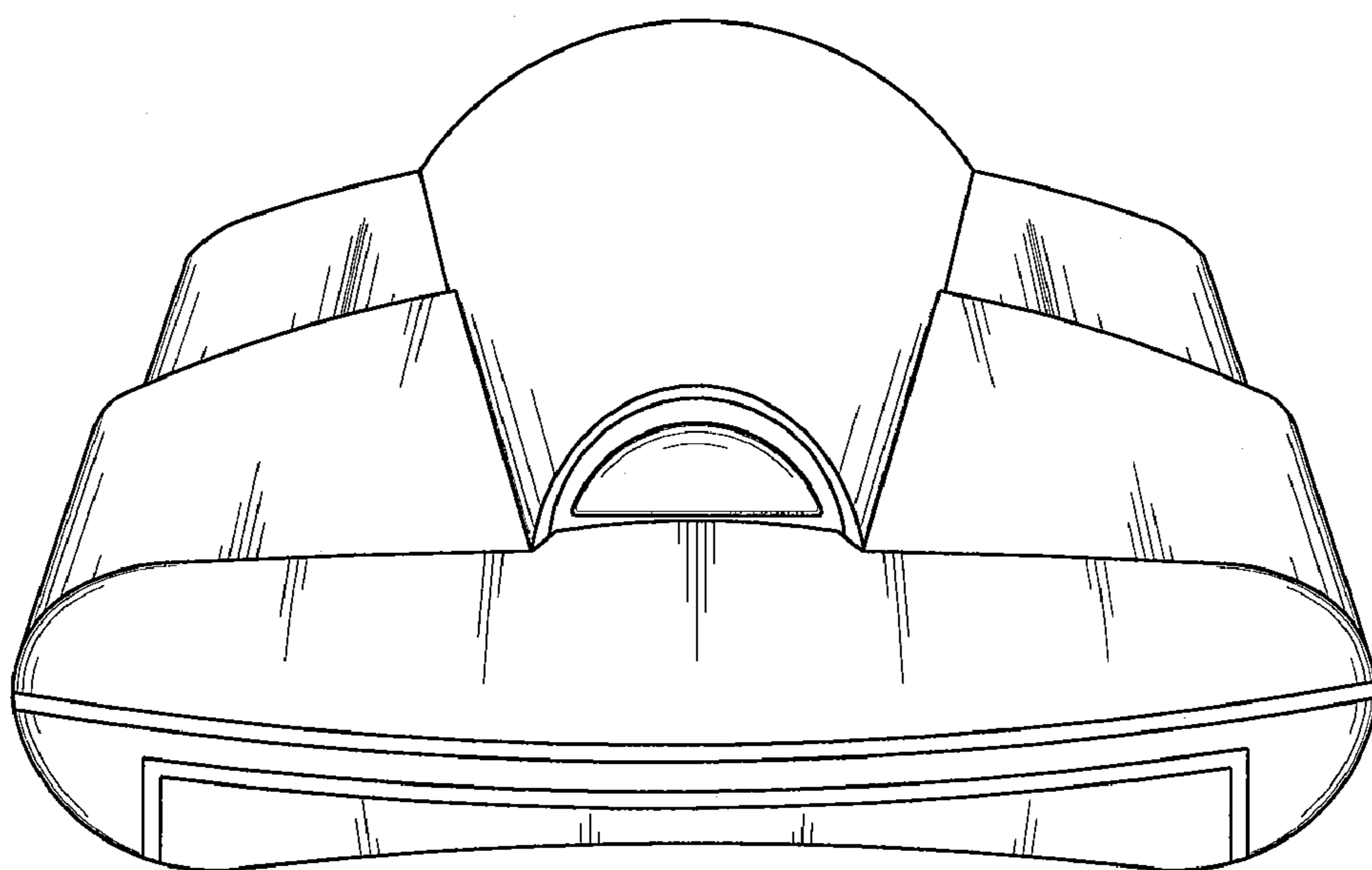


FIG. 3

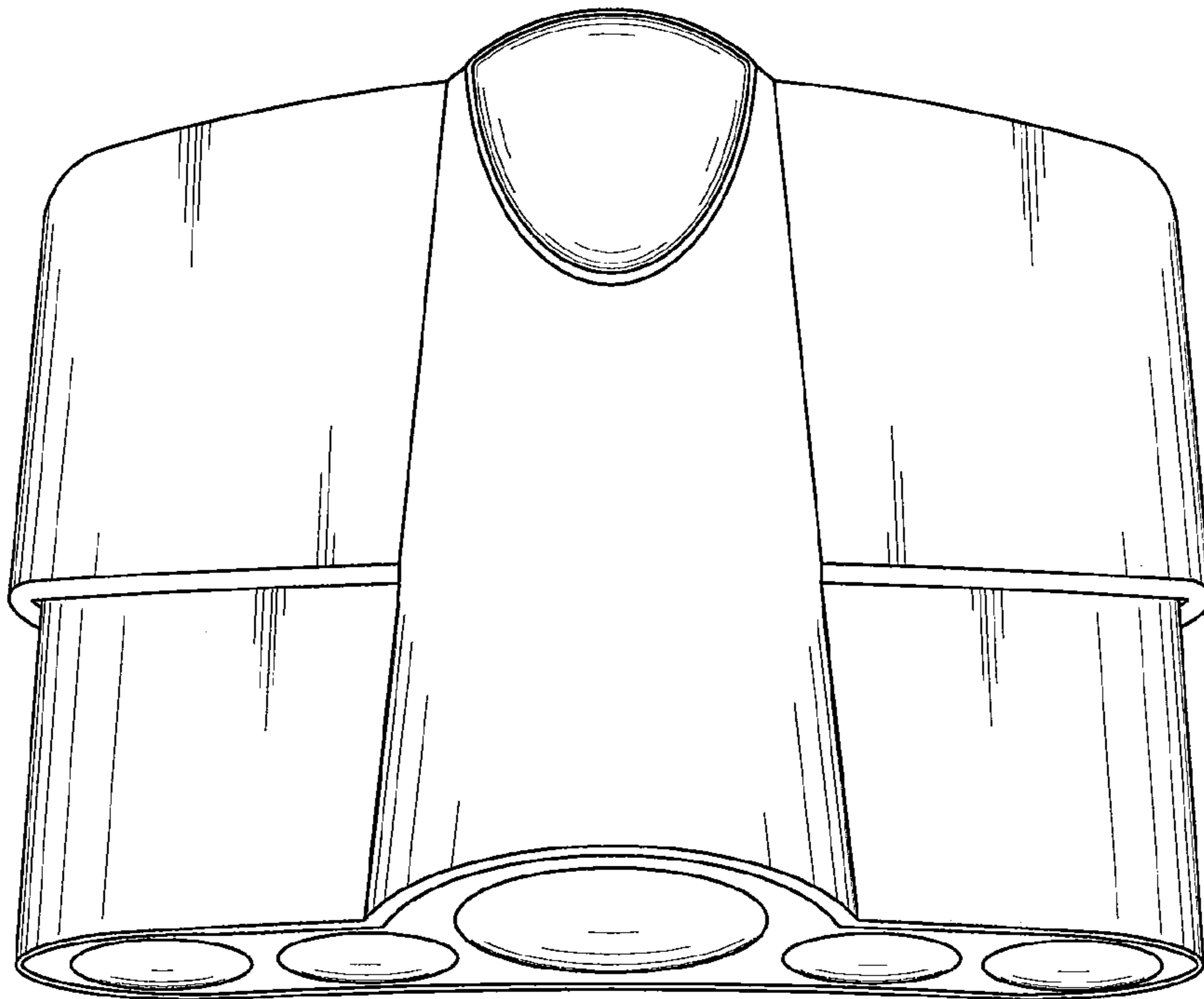


FIG. 4

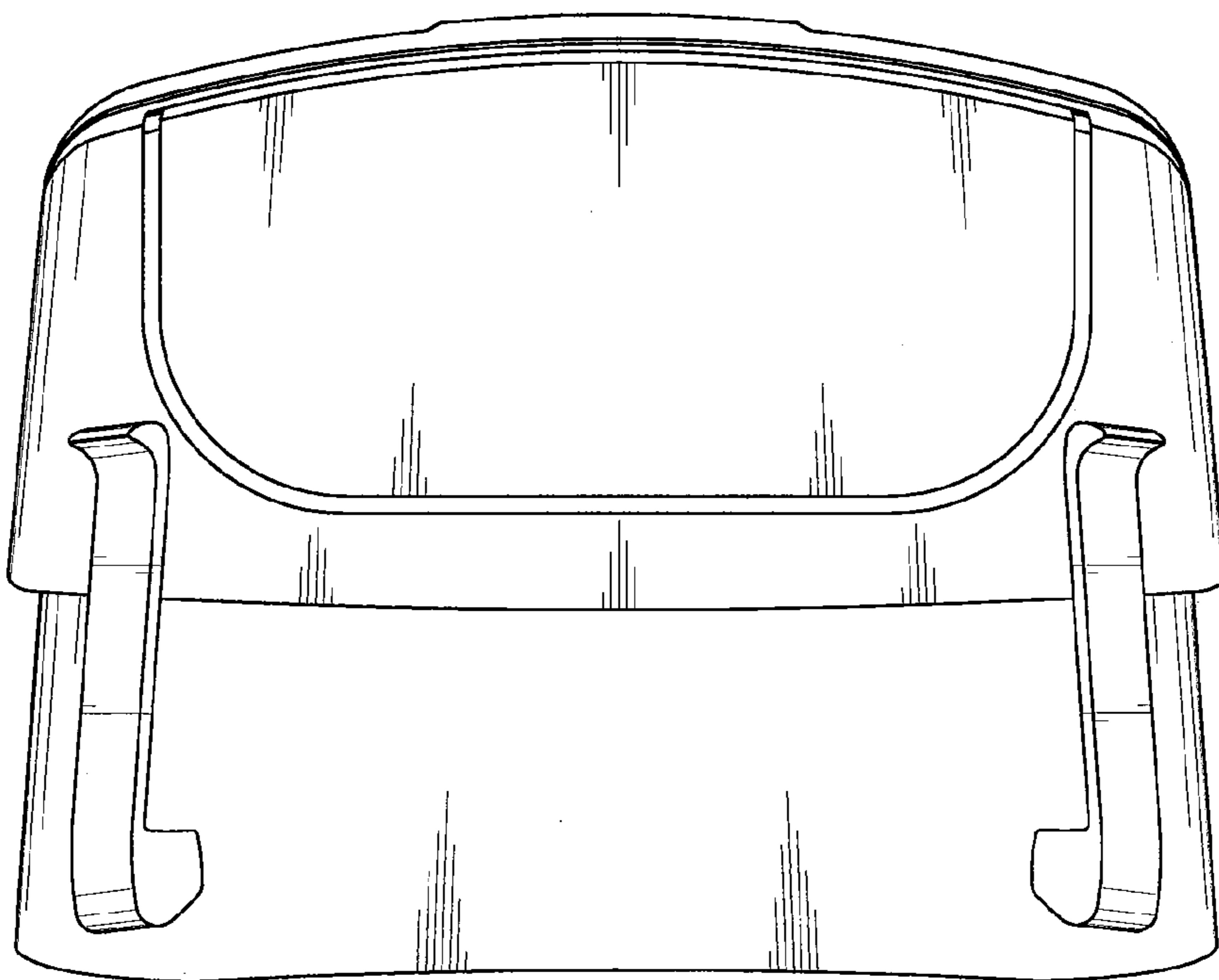


FIG. 5

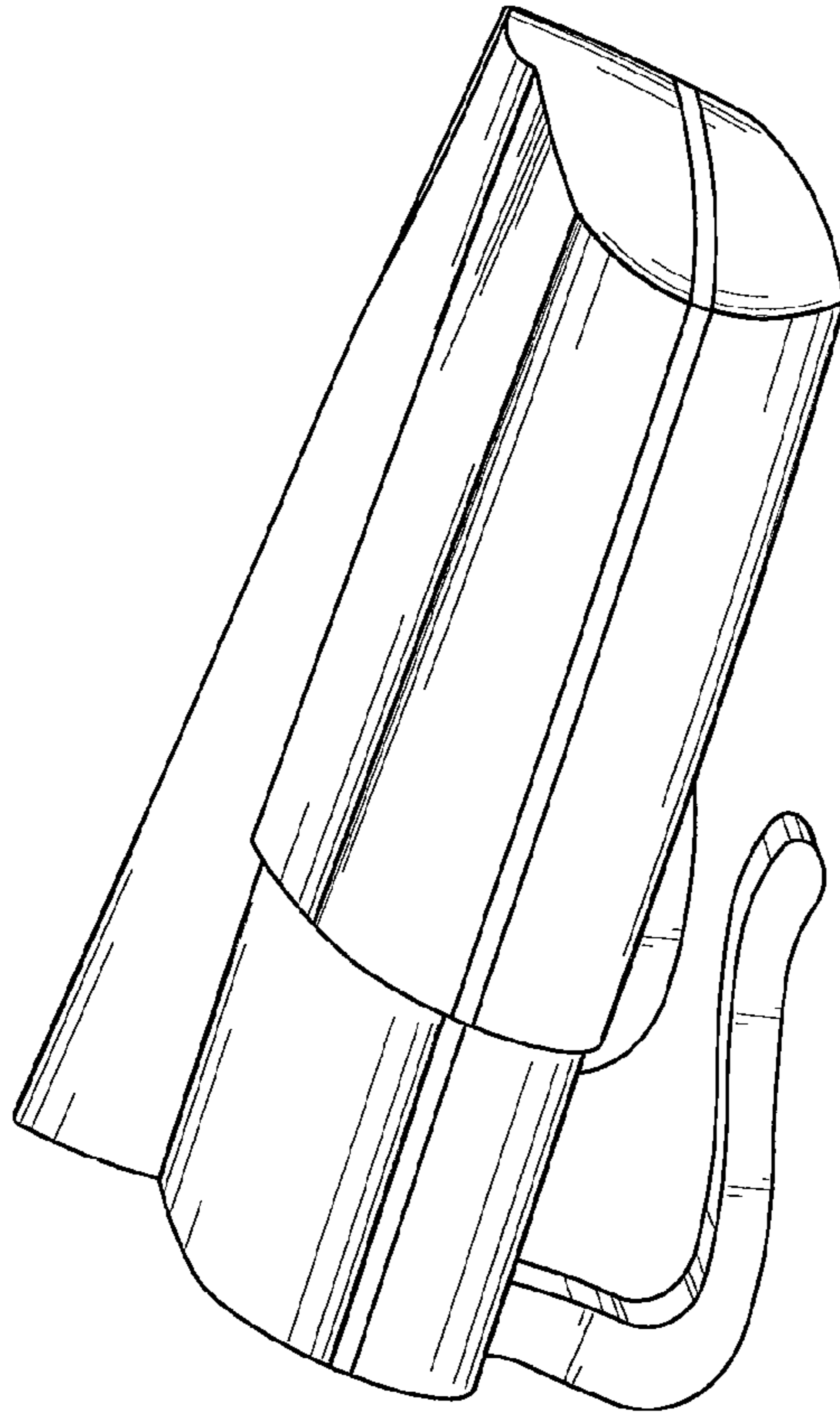


FIG. 7

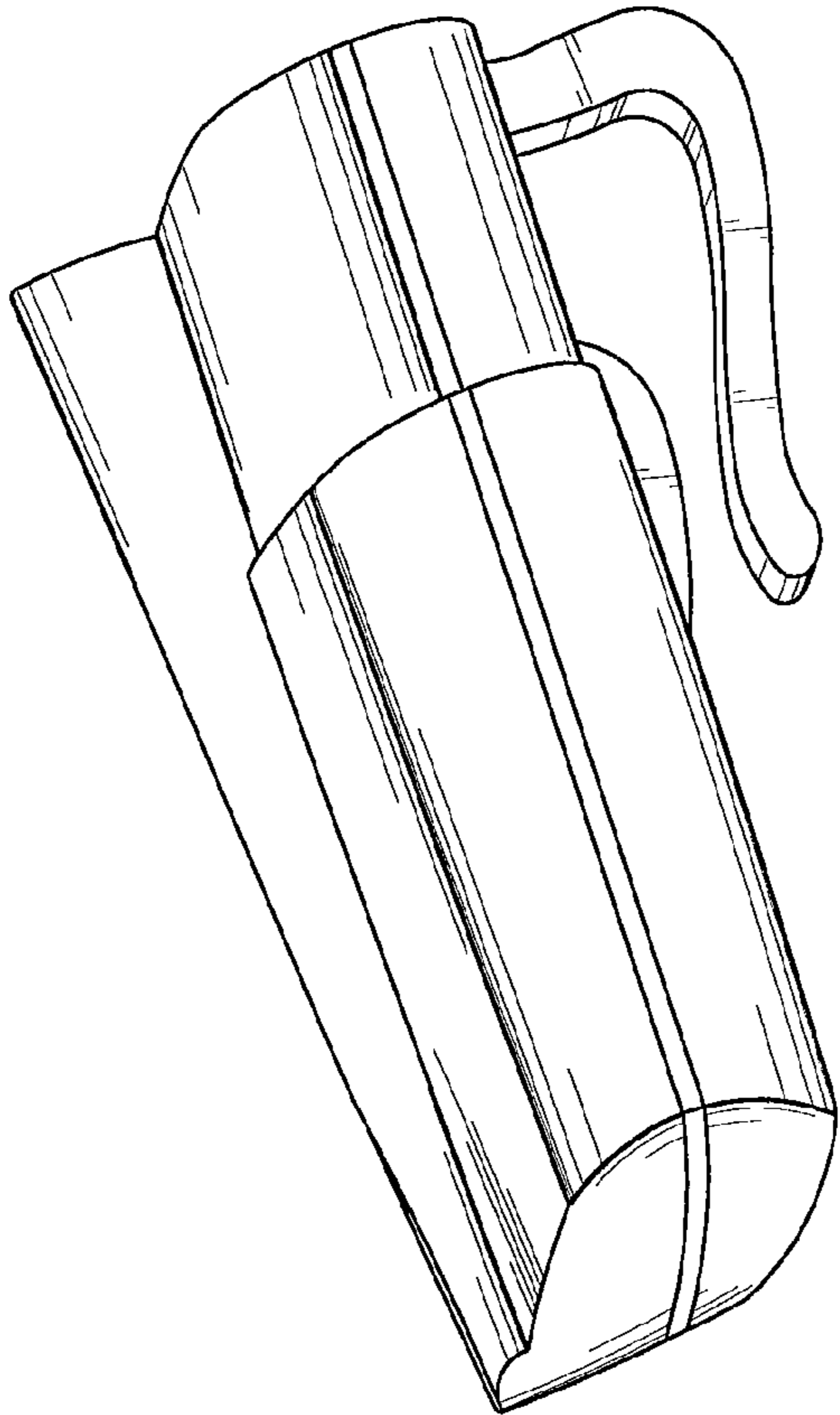


FIG. 6