



US00D566310S

(12) **United States Design Patent**
Alessio

(10) **Patent No.:** **US D566,310 S**

(45) **Date of Patent:** **** Apr. 8, 2008**

(54) **HEAD LAMP**

(75) Inventor: **David Alessio**, Amherst, OH (US)

(73) Assignee: **Eveready Battery Company, Inc.**, St. Louis, MO (US)

(**) Term: **14 Years**

(21) Appl. No.: **29/268,983**

(22) Filed: **Nov. 17, 2006**

(30) **Foreign Application Priority Data**

May 19, 2006 (AU) 12205/06

(51) **LOC (8) Cl.** **26-02**

(52) **U.S. Cl.** **D26/39**

(58) **Field of Classification Search** D26/37,
D26/38, 39, 51, 46; 362/103, 105, 106, 107,
362/108, 157, 158, 183, 184, 190, 191, 196,
362/197, 198, 208, 804

See application file for complete search history.

(56) **References Cited**

U.S. PATENT DOCUMENTS

D320,667 S * 10/1991 Smith D26/39
D394,720 S * 5/1998 Yuen D26/39
D470,615 S * 2/2003 Janice et al. D26/39
D482,473 S * 11/2003 Shiu D26/39

D500,377 S * 12/2004 Yamamoto et al. D26/39
D506,846 S * 6/2005 Kang et al. D26/39
D527,127 S * 8/2006 Petzl D26/39
D531,335 S * 10/2006 Garrity D26/39
D534,289 S * 12/2006 Shiu D26/39

* cited by examiner

Primary Examiner—Ian Simmons

Assistant Examiner—Carissa C Fitts

(74) *Attorney, Agent, or Firm*—Gregory J. Adams

(57) **CLAIM**

I claim the ornamental design for a head lamp, as shown and described.

DESCRIPTION

FIG. 1 is a top view of the head lamp of the present invention;

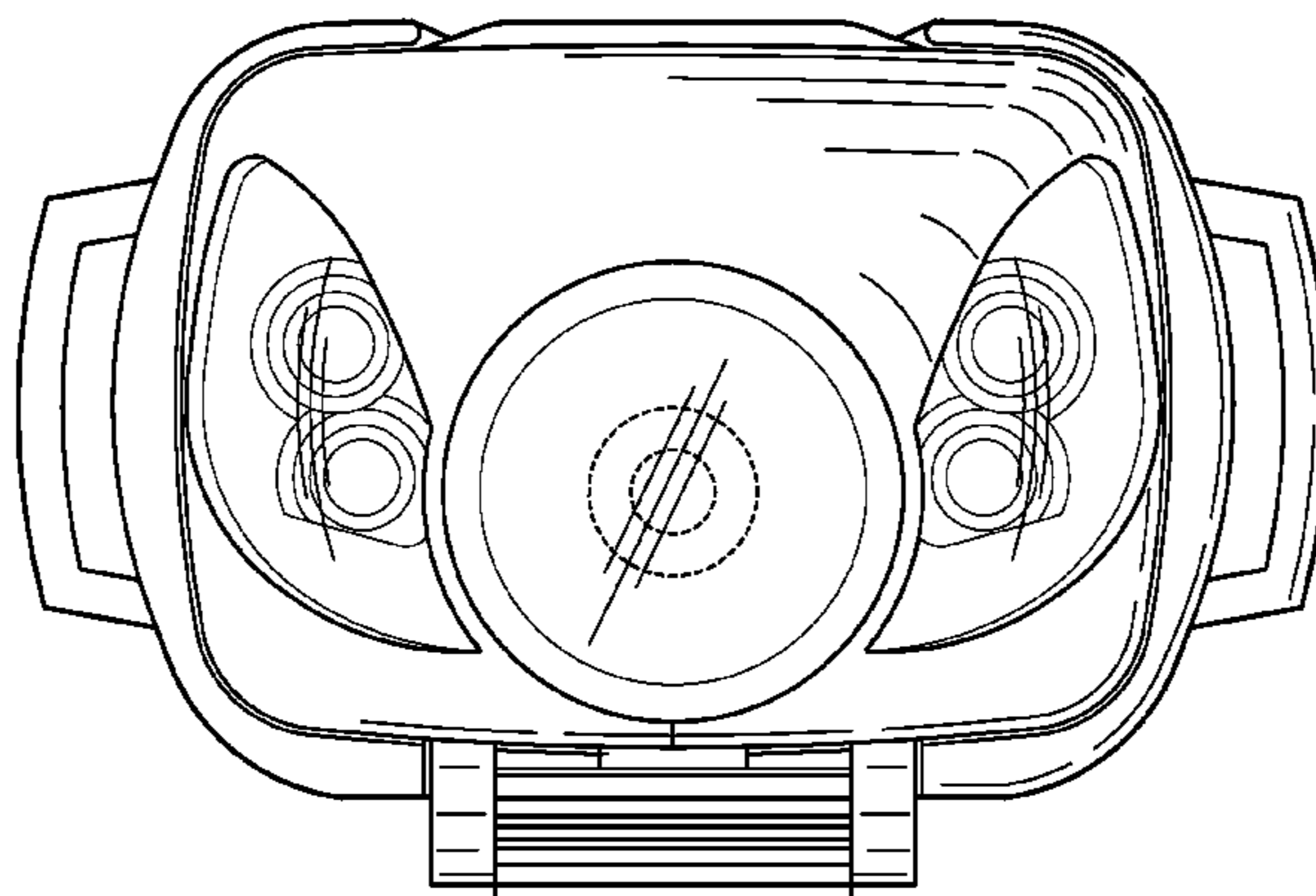
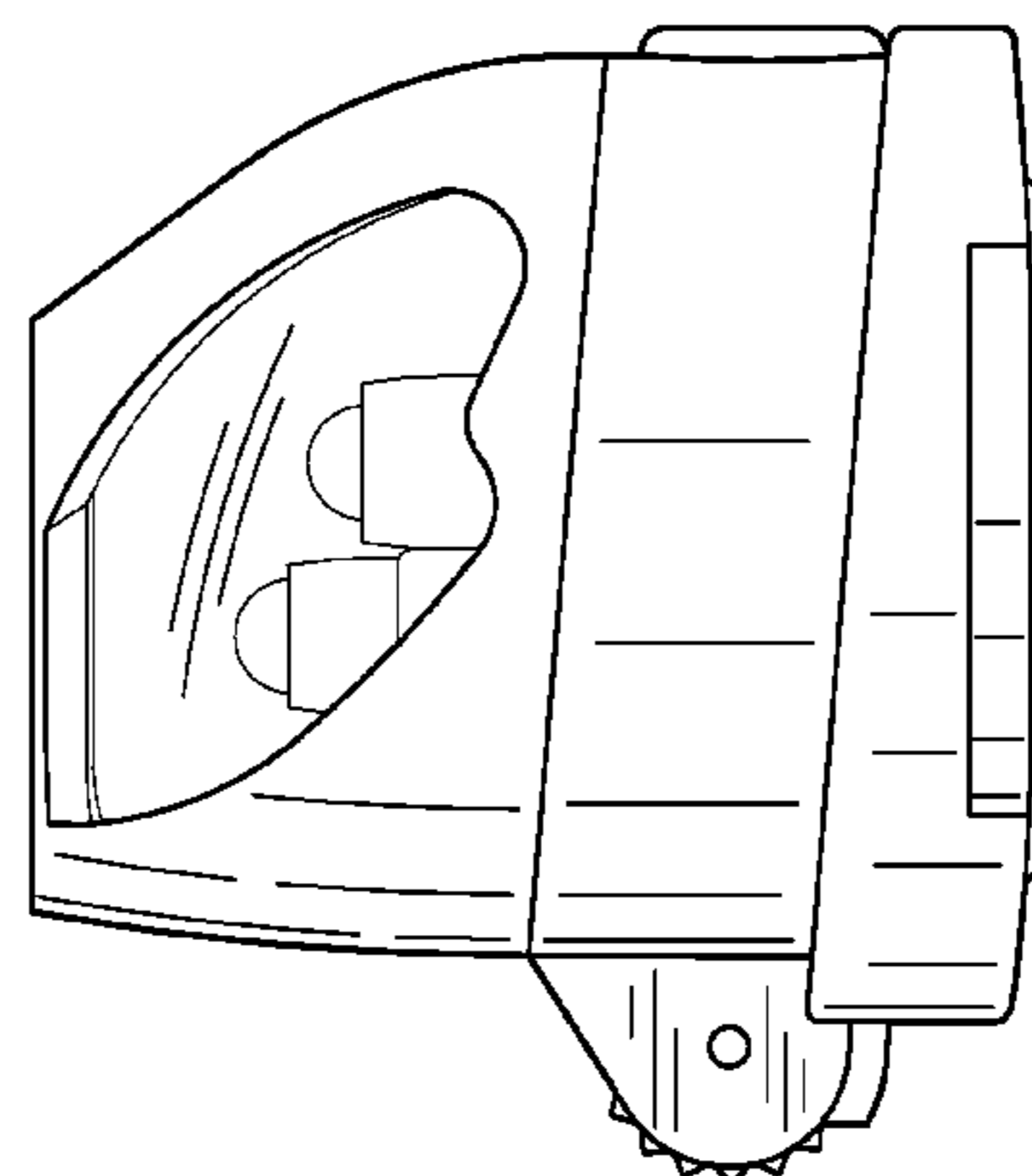
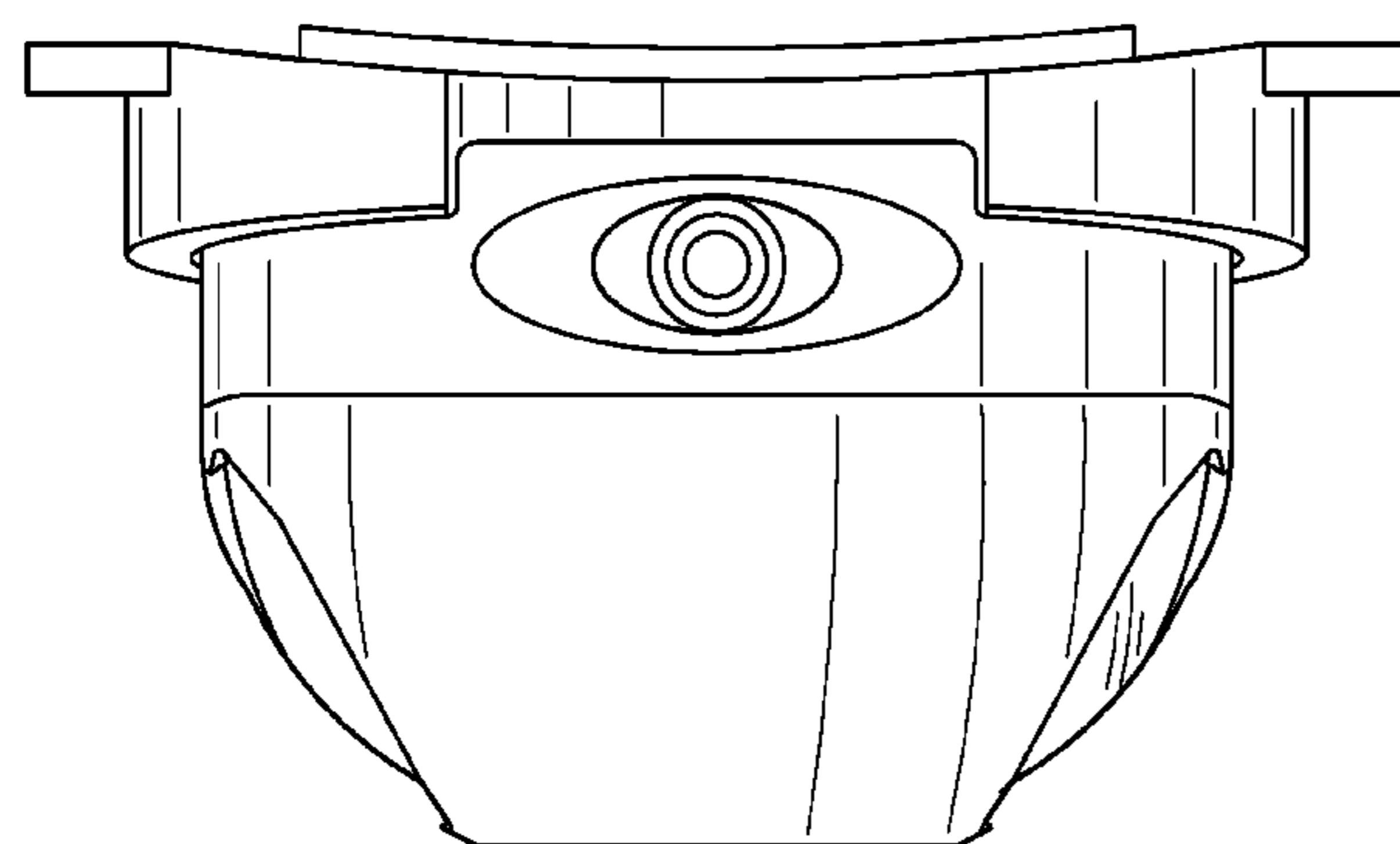
FIG. 2 is a bottom view of the head lamp of the present invention;

FIG. 3 is a left side view of the head lamp of the present invention;

FIG. 4 is a front view of the head lamp of the present invention; and,

FIG. 5 is a rear view of the head lamp of the present invention.

1 Claim, 5 Drawing Sheets



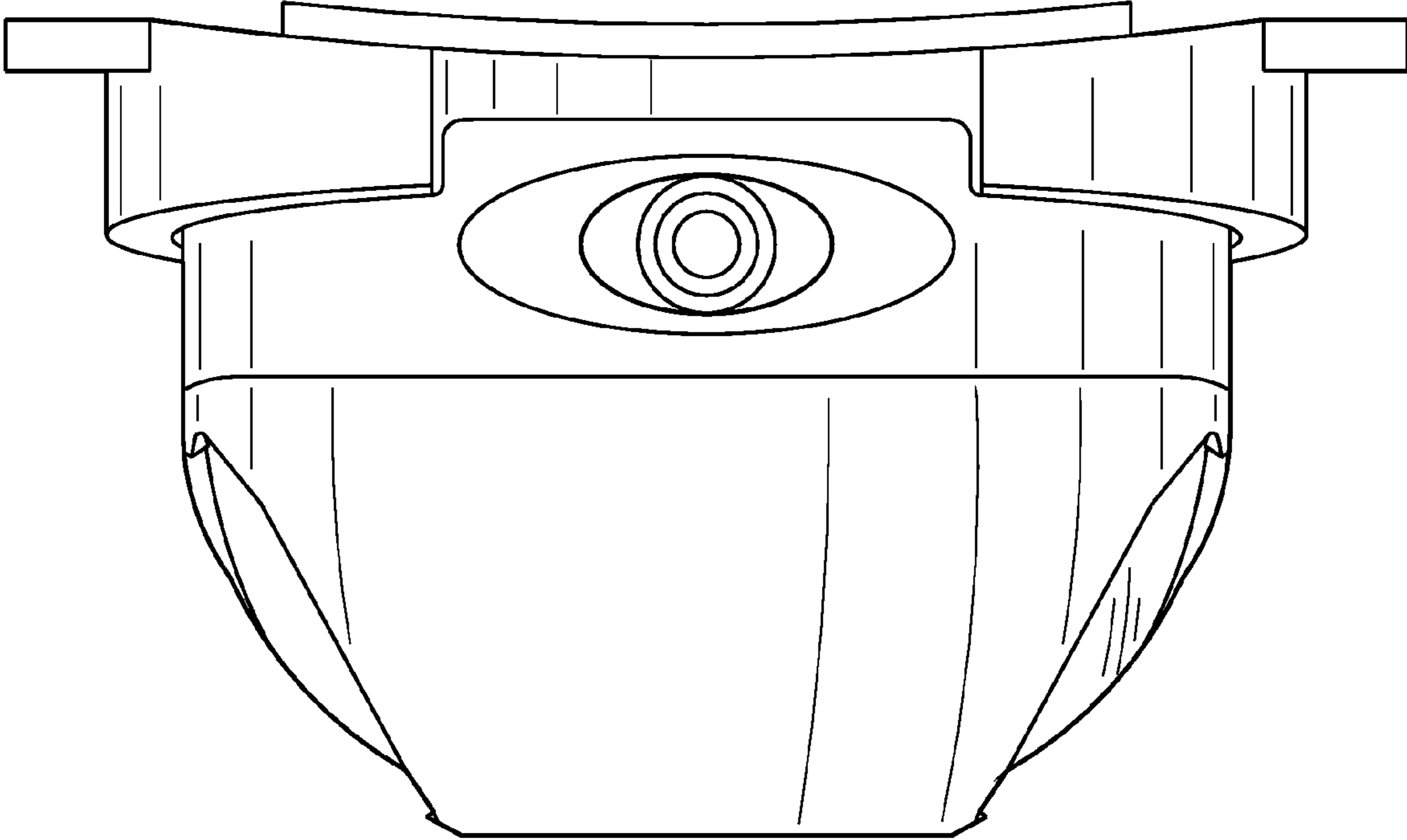


Fig. 1

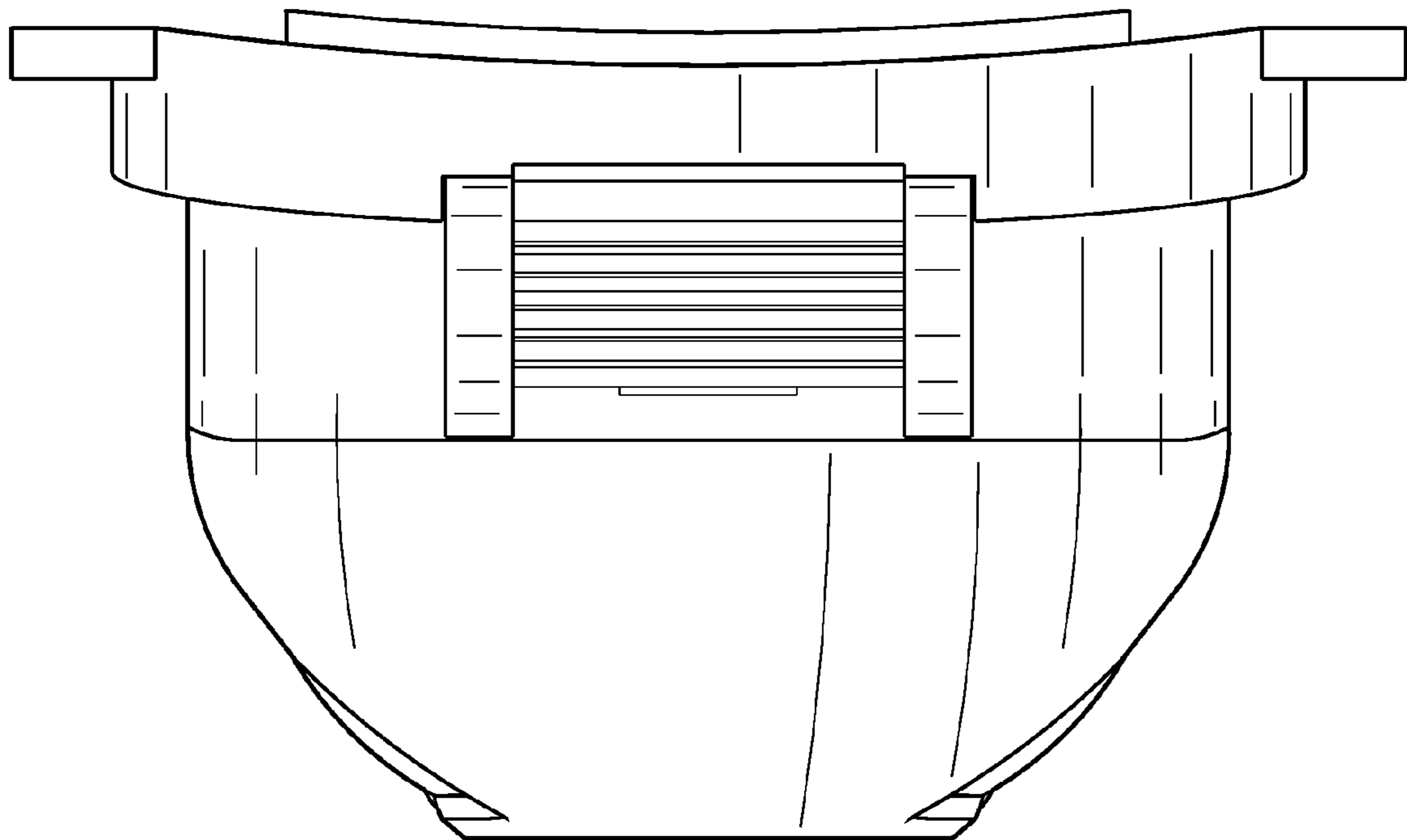


Fig. 2

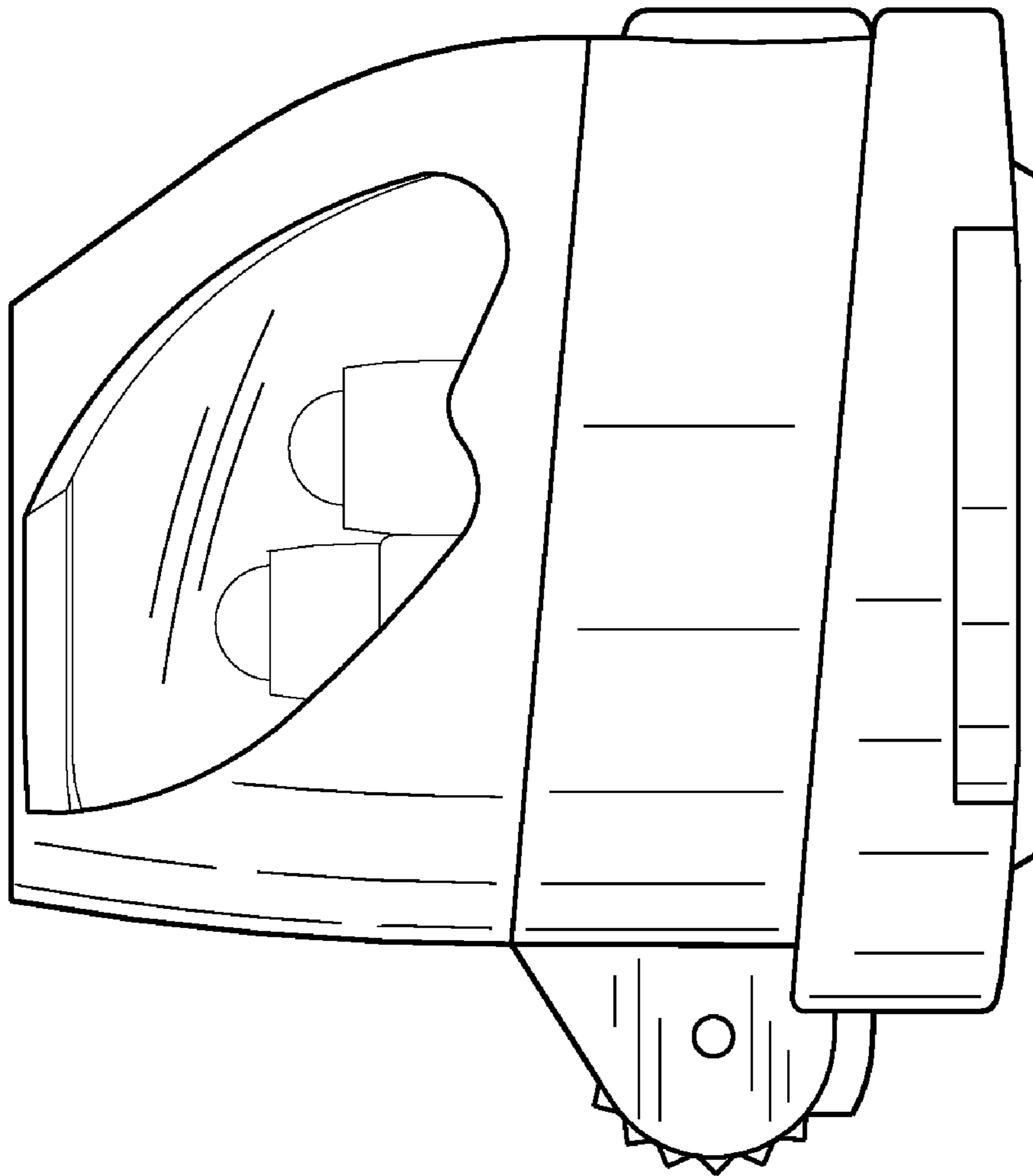


Fig. 3

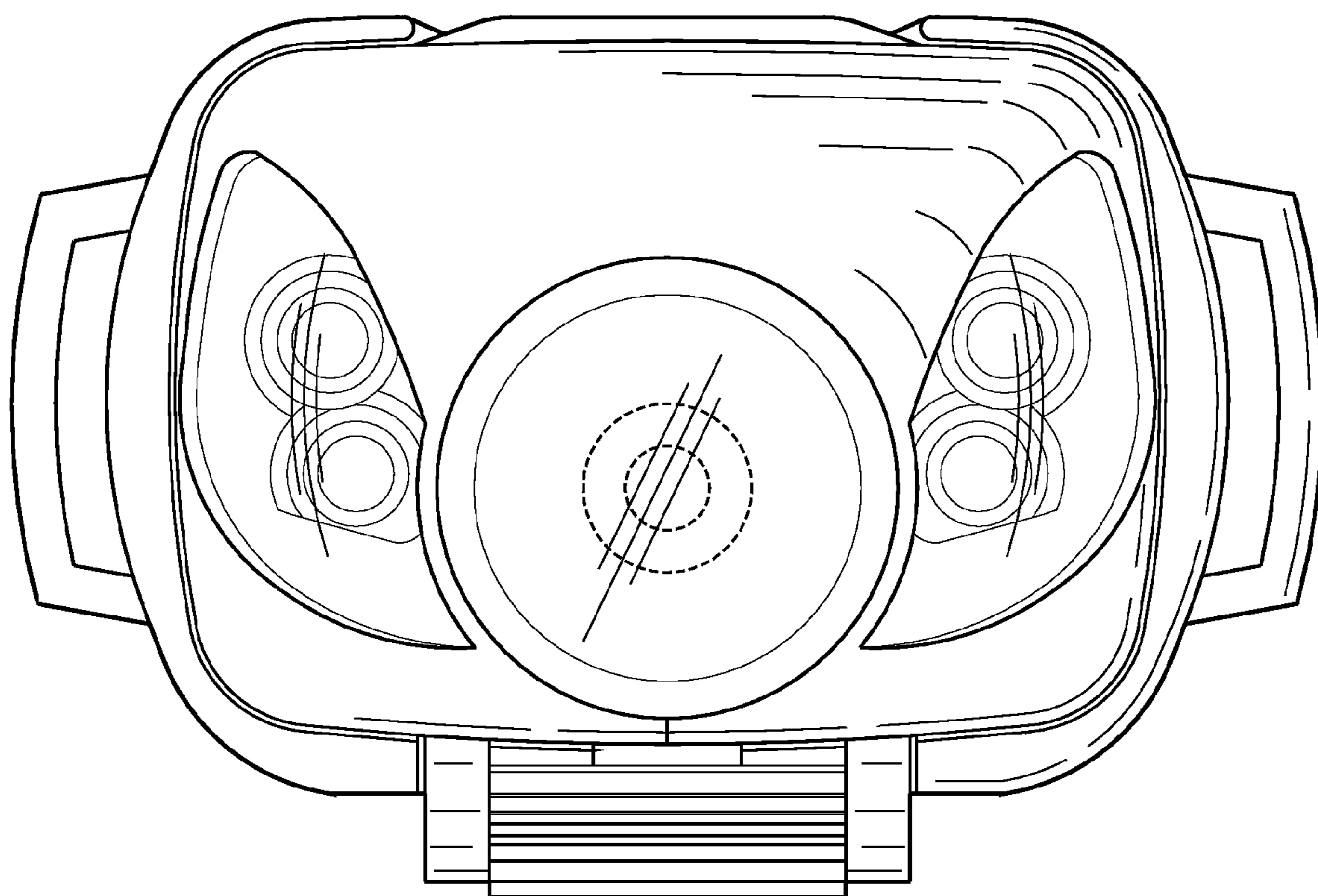


Fig. 4

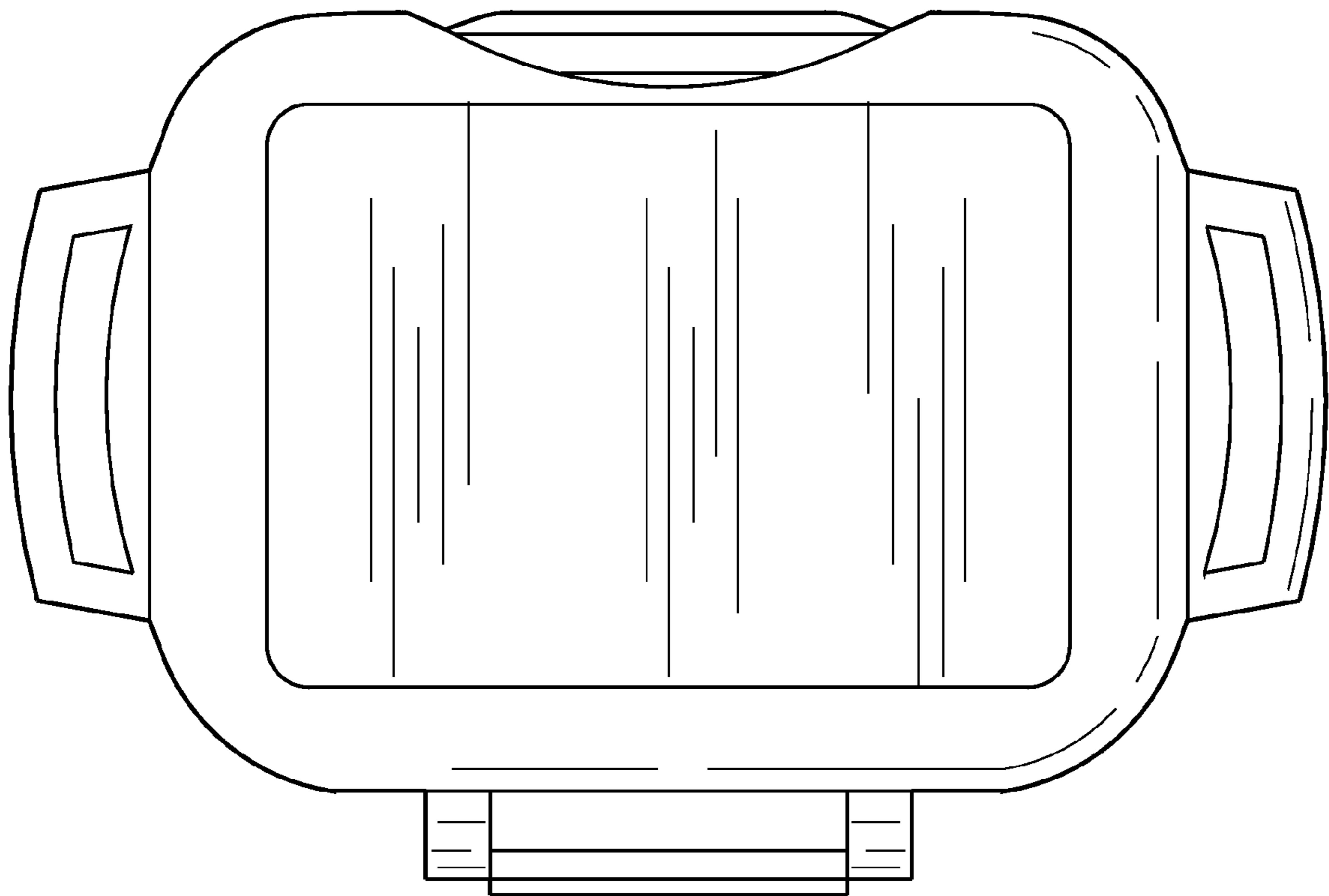


Fig. 5