



US00D566307S

(12) **United States Design Patent**
Hsu

(10) **Patent No.:** **US D566,307 S**

(45) **Date of Patent:** **** Apr. 8, 2008**

(54) **EXTERIOR SURFACE CONFIGURATION OF
A VEHICLE FRONT LIGHT**

D510,449 S * 10/2005 Lin D26/28

* cited by examiner

(76) Inventor: **Hong Ming Hsu**, No. 152, Sec 2,
Funong St. East District, Tainan City
(TW) 701

Primary Examiner—Marcus A. Jackson

(74) *Attorney, Agent, or Firm*—Alexander Chen, Esq.

(**) Term: **14 Years**

(57) **CLAIM**

(21) Appl. No.: **29/283,062**

The ornamental design for an exterior surface configuration
of a vehicle front light, as shown and described.

(22) Filed: **Aug. 6, 2007**

DESCRIPTION

(51) **LOC (8) Cl.** **26-06**

(52) **U.S. Cl.** **D26/28**

(58) **Field of Classification Search** D26/28-36;
362/459-468, 475-478, 485-487

See application file for complete search history.

FIG. 1 is perspective view from the front left of an exterior
surface configuration of a vehicle front light. The drawings
and descriptions represent the left side embodiment. The
design also contemplates a mirror symmetrical embodiment
on the right side of the vehicle. The dash line included
denotes environment and is not part of the claimed design

(56) **References Cited**

FIG. 2 is a front elevation view thereof;

FIG. 3 is a left elevation view thereof, and,

FIG. 4 is a top view thereof.

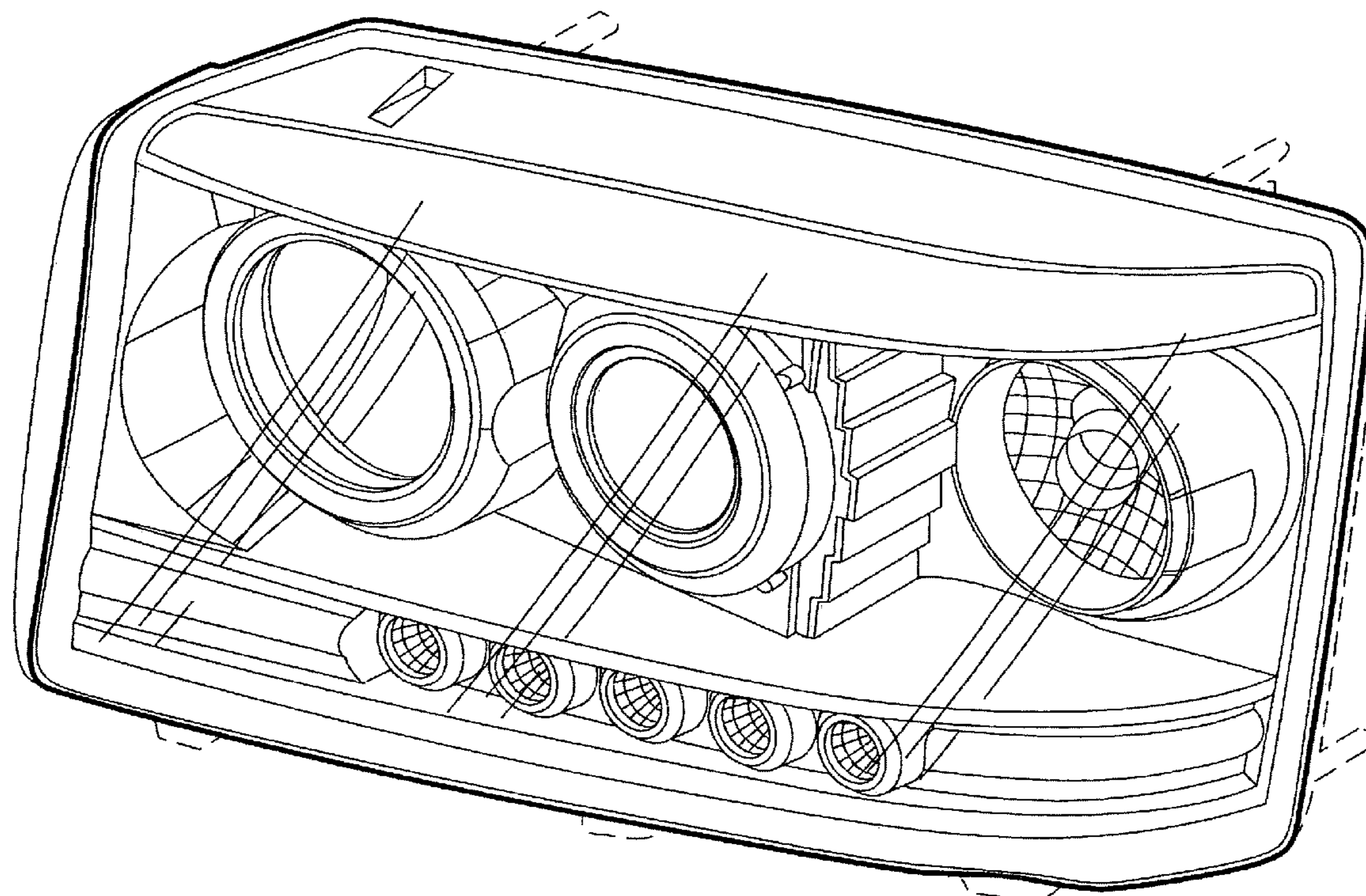
U.S. PATENT DOCUMENTS

D490,174 S * 5/2004 Lin D26/28

D495,813 S * 9/2004 Lin D26/28

D501,265 S * 1/2005 Lin D26/28

1 Claim, 4 Drawing Sheets



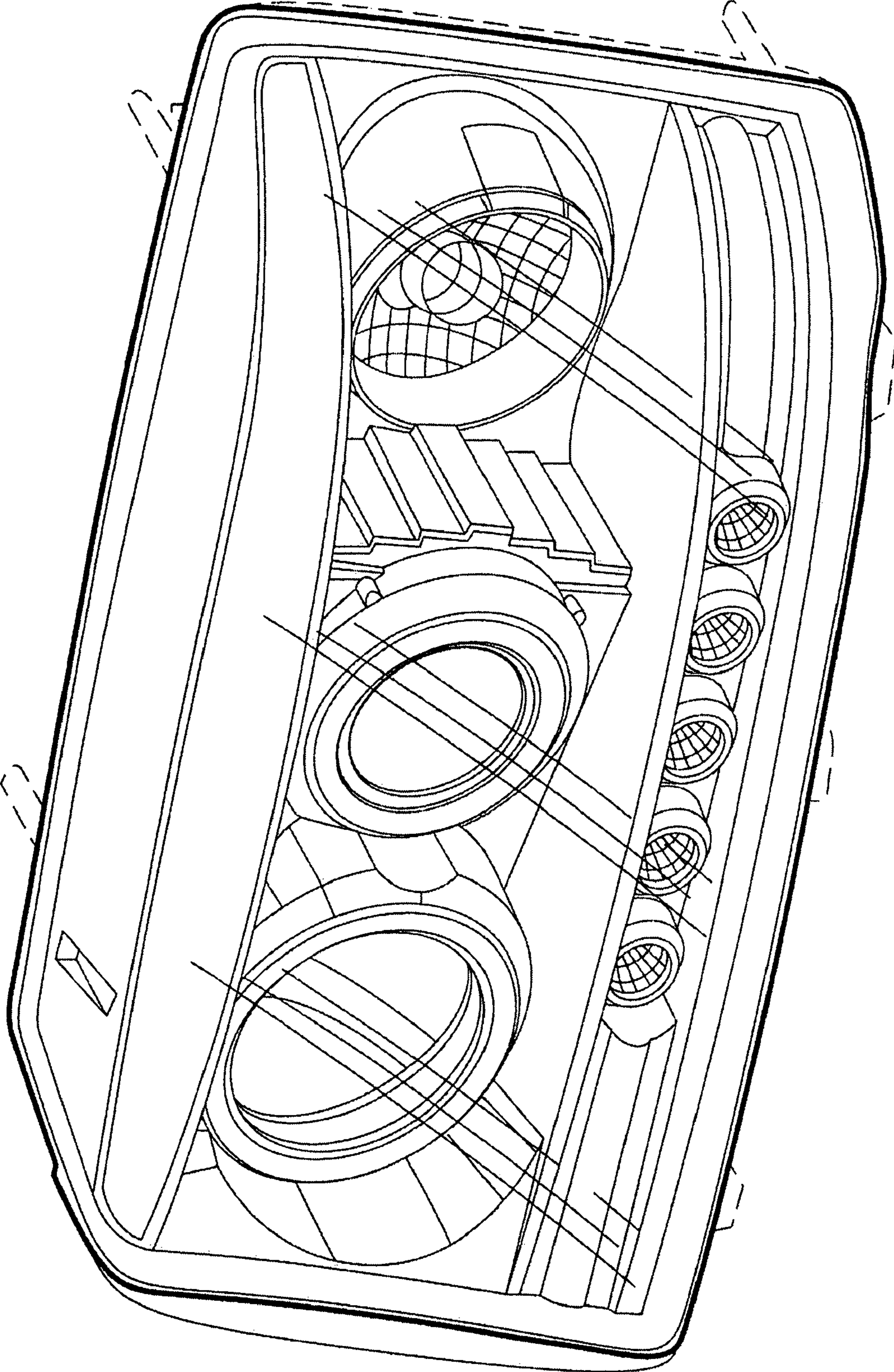


FIG. 1

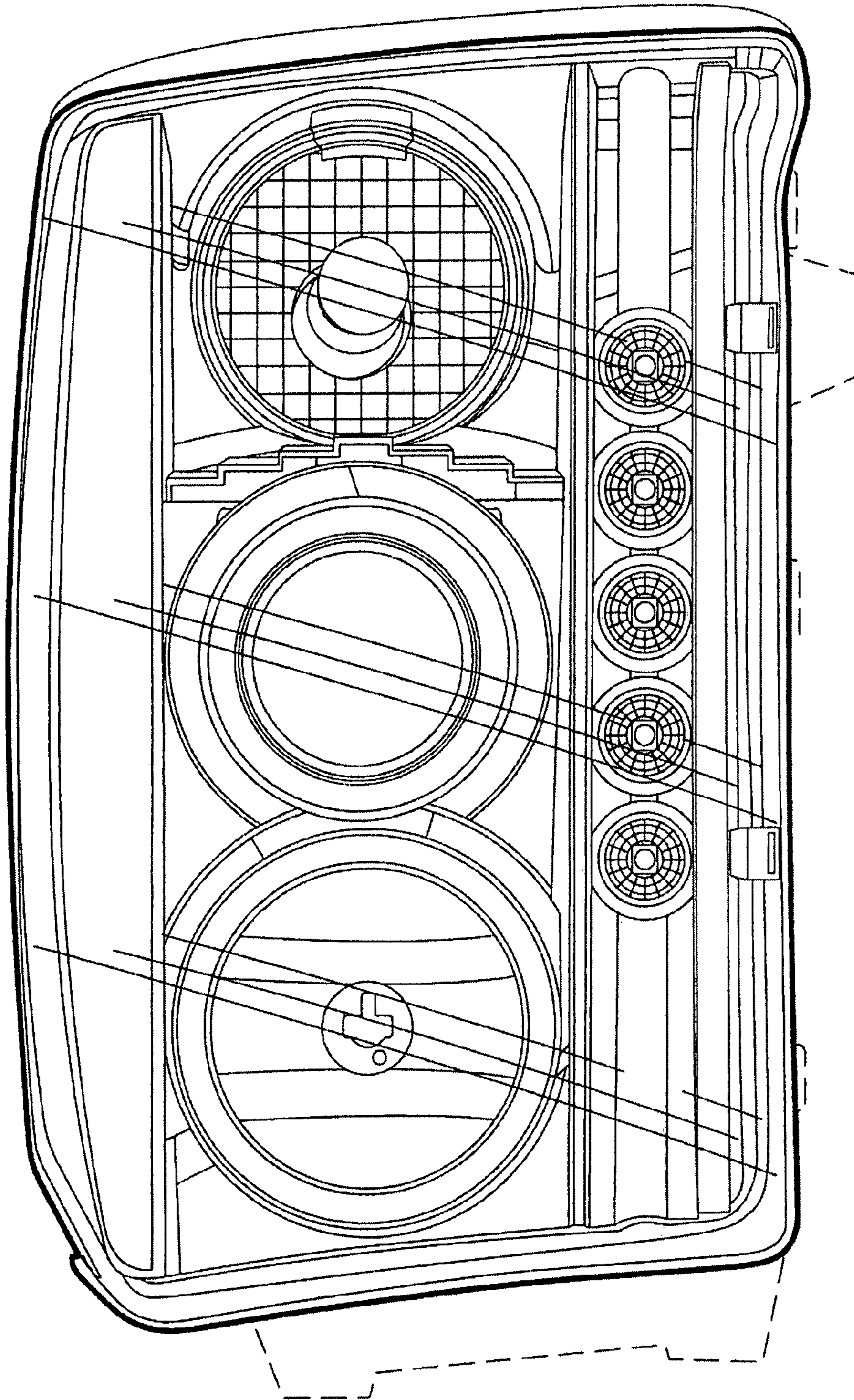


FIG. 2

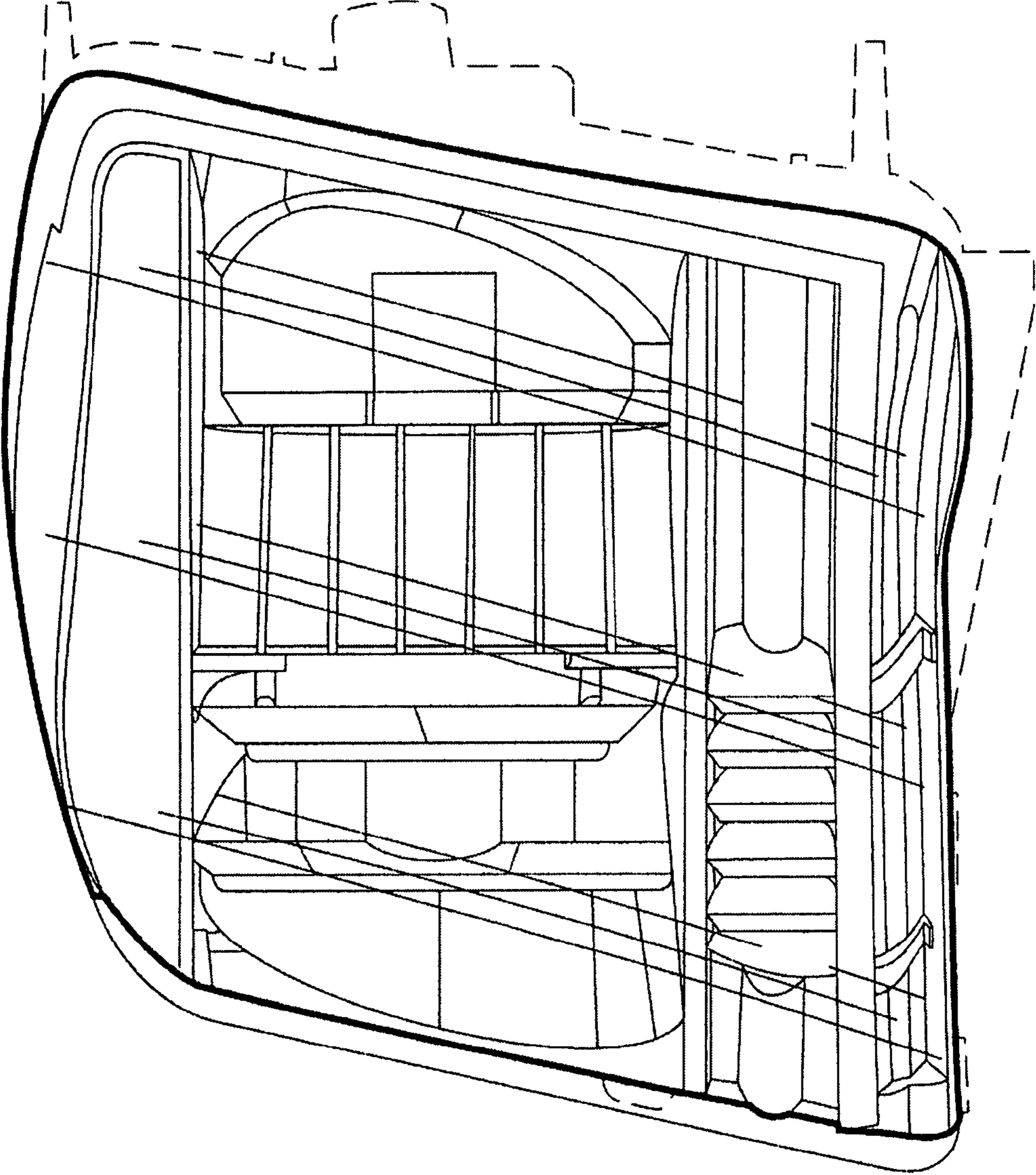


FIG. 3

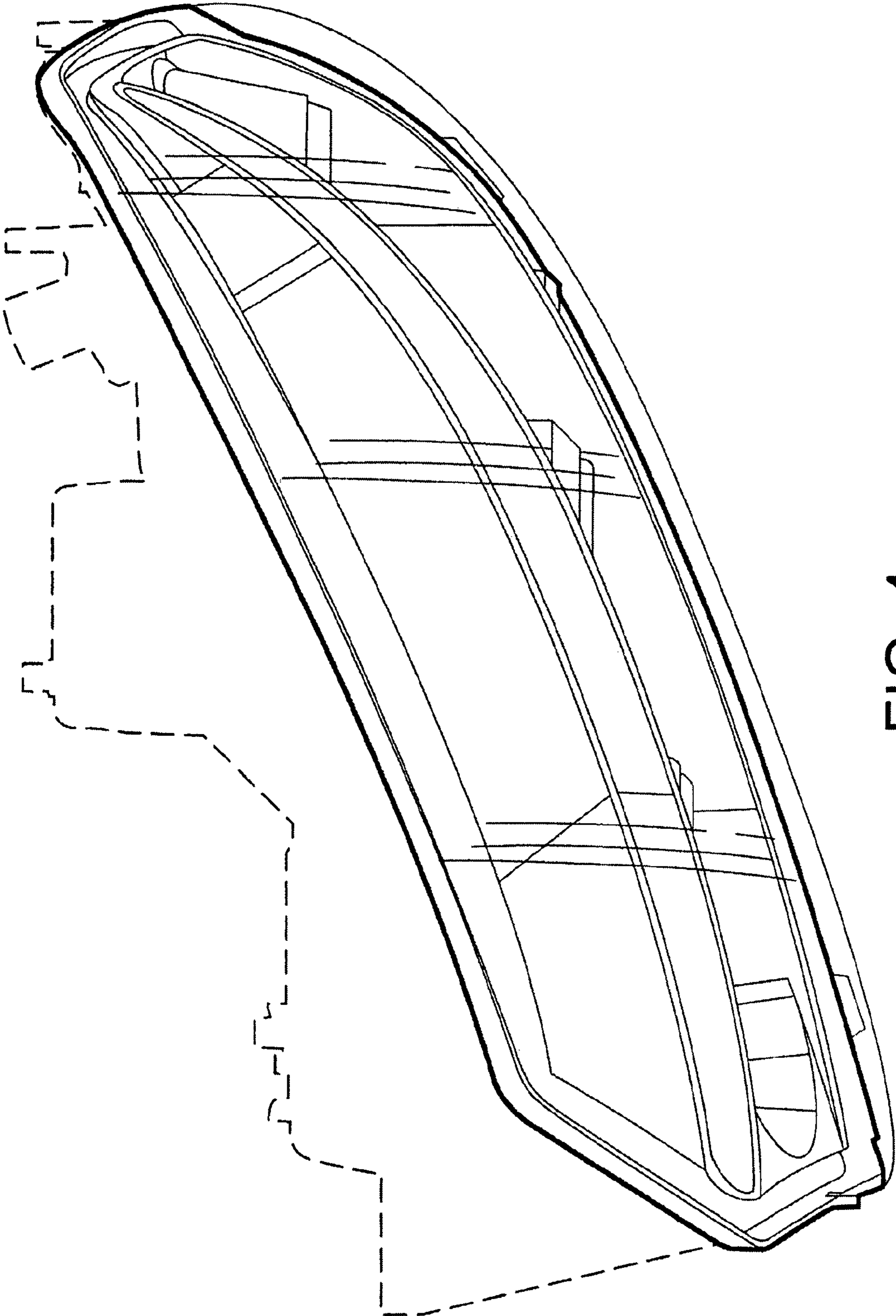


FIG. 4