



US00D566306S

(12) **United States Design Patent**
Hsu

(10) **Patent No.:** **US D566,306 S**

(45) **Date of Patent:** **** Apr. 8, 2008**

(54) **EXTERIOR SURFACE CONFIGURATION OF
A VEHICLE REAR LIGHT**

D550,870 S * 9/2007 Lin et al. D26/28

* cited by examiner

(76) Inventor: **Hong Ming Hsu**, No. 152, Sec 2,
Funong St. East District, Tainan City
(TW) 701

Primary Examiner—Marcus A. Jackson
(74) *Attorney, Agent, or Firm*—Alexander Chen, Esq.

(**) Term: **14 Years**

(57) **CLAIM**

(21) Appl. No.: **29/283,061**

The ornamental design for an exterior surface configuration
of a vehicle rear light, as shown and described.

(22) Filed: **Aug. 6, 2007**

DESCRIPTION

(51) **LOC (8) Cl.** **26-06**

(52) **U.S. Cl.** **D26/28**

(58) **Field of Classification Search** D26/28-36;
362/459-468, 475-478, 485-487
See application file for complete search history.

FIG. 1 is perspective view from the front left of an exterior
surface configuration of a vehicle rear light. The drawings
and descriptions represent the right side embodiment. The
design also contemplates a mirror symmetrical embodiment
on the left side of the vehicle. The dash line included denotes
environment and is not part of the claimed design.

(56) **References Cited**

U.S. PATENT DOCUMENTS

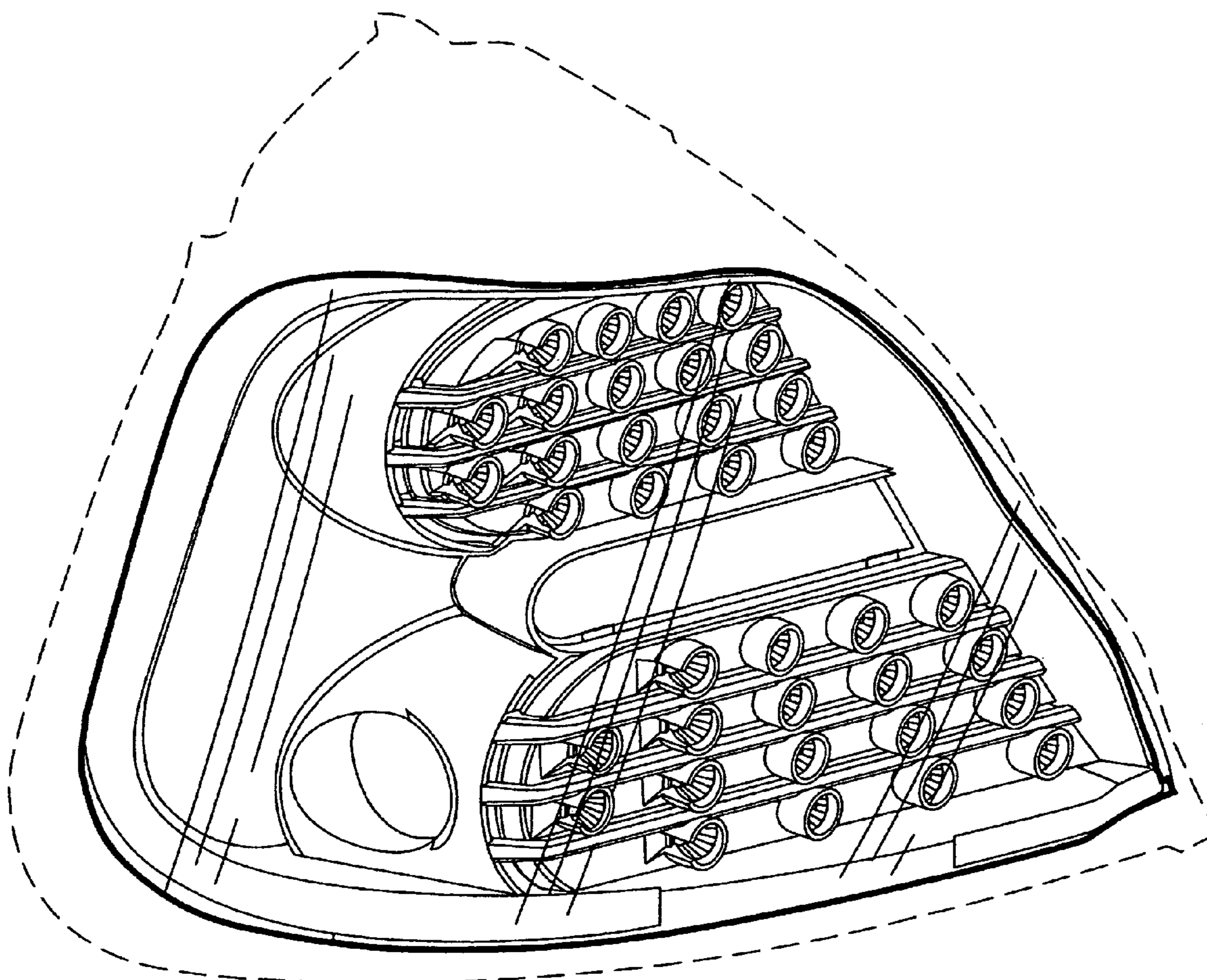
D501,053 S *	1/2005	Kamimura et al.	D26/28
D509,311 S *	9/2005	Tomida	D26/28
D515,229 S *	2/2006	Minami	D26/28
D532,534 S *	11/2006	Lin	D26/28

FIG. 2 is a front elevation view thereof;

FIG. 3 is a left elevation view thereof; and,

FIG. 4 is a top view thereof.

1 Claim, 4 Drawing Sheets



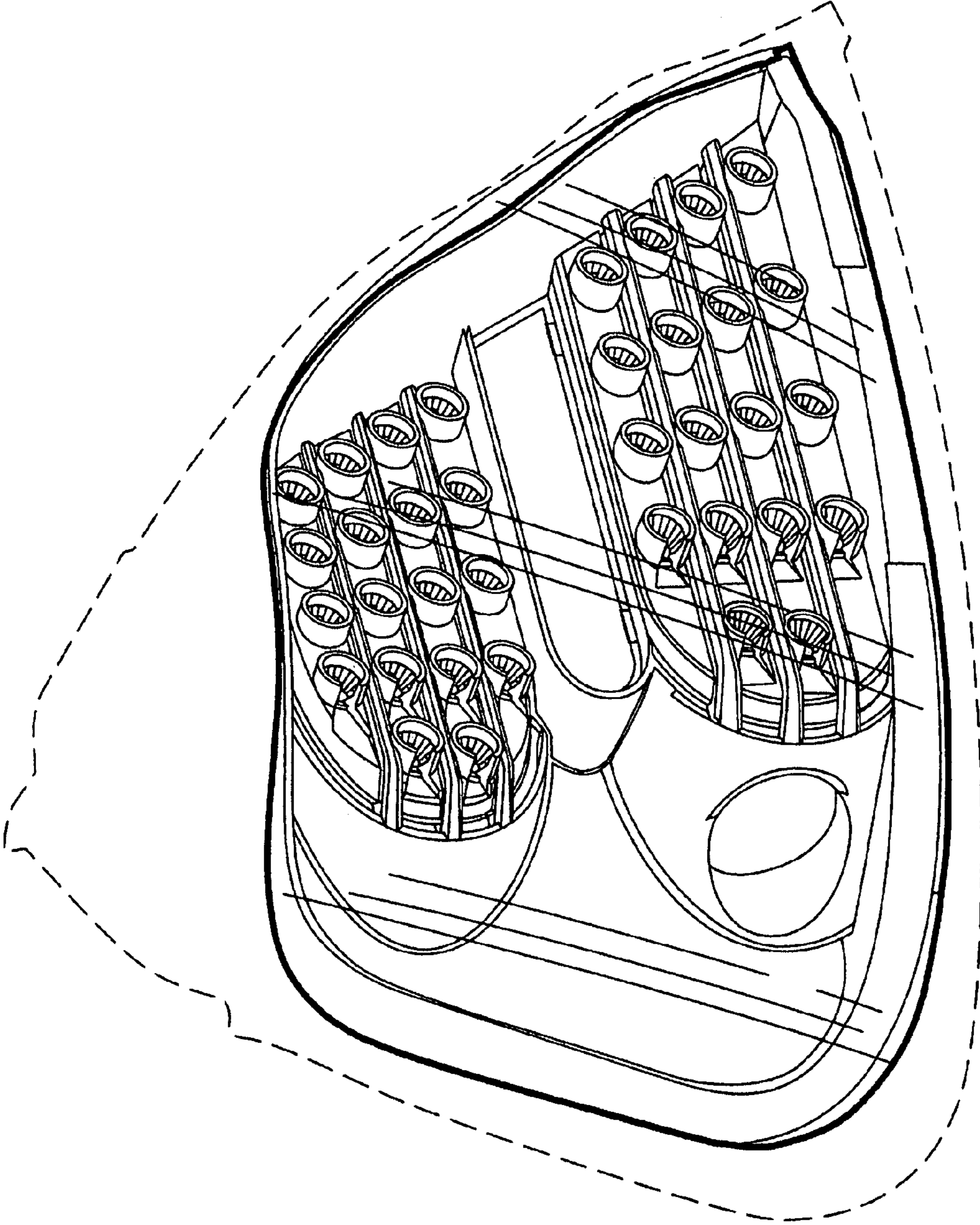


FIG. 1

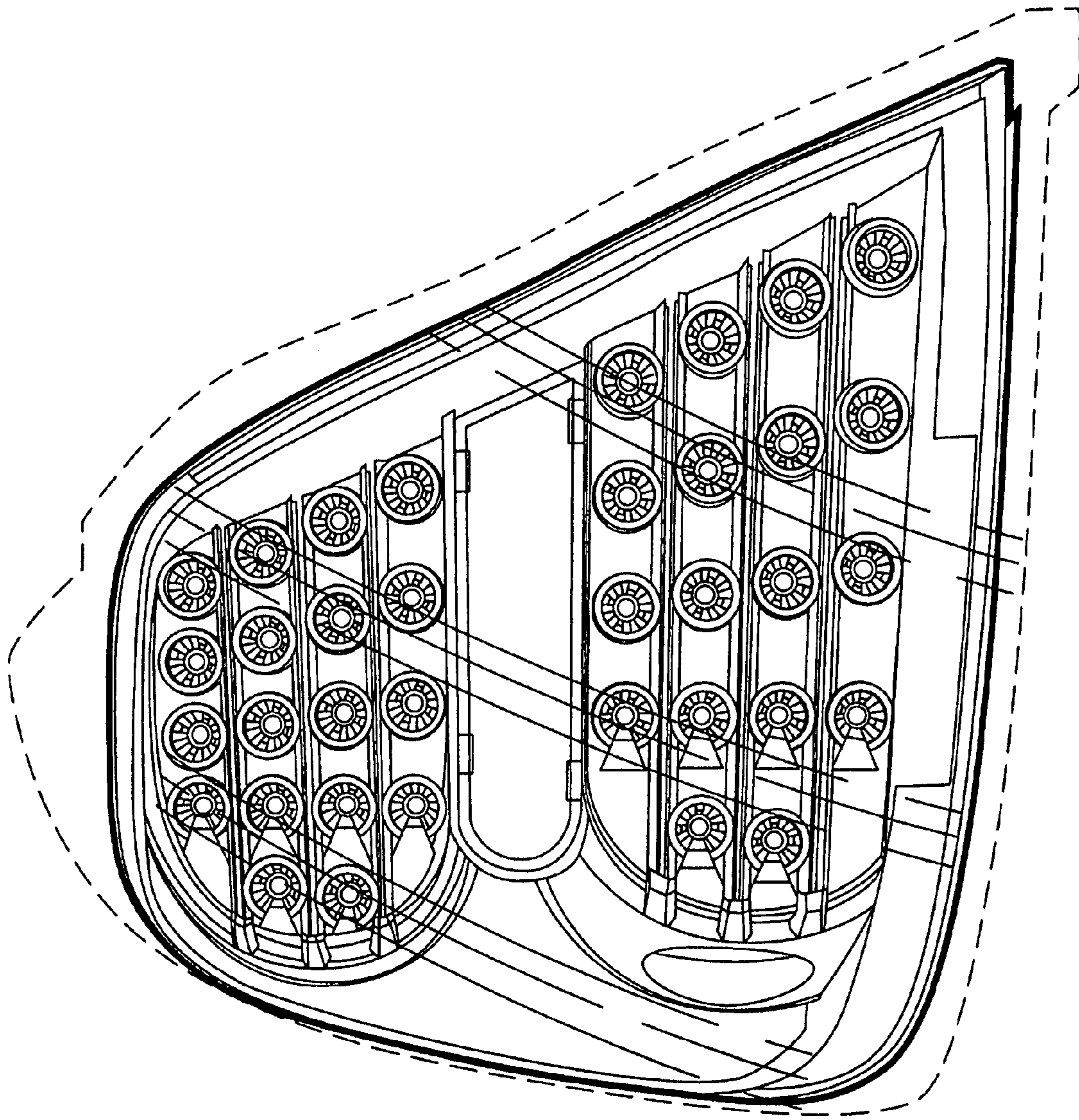


FIG. 2

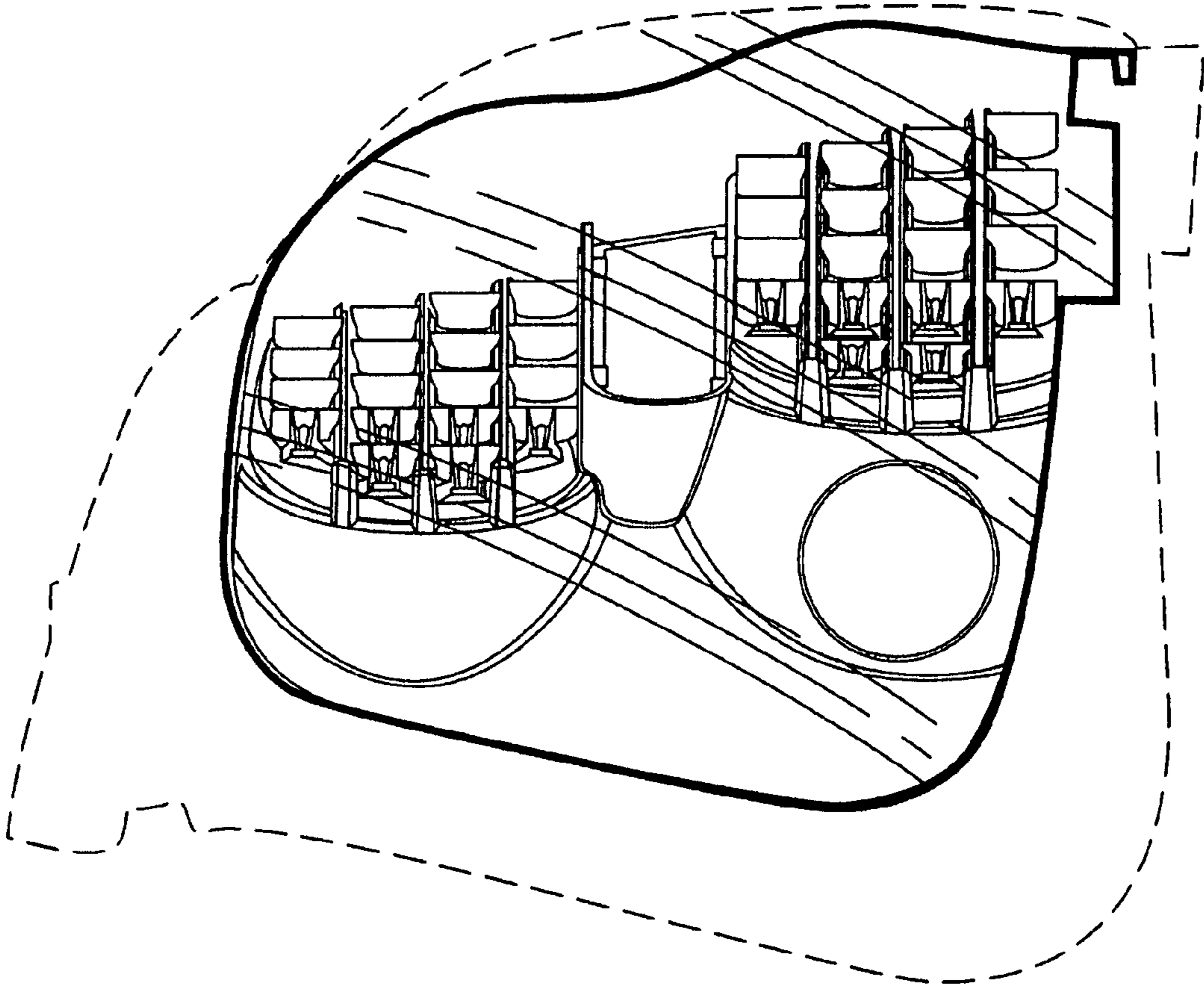


FIG. 3



FIG. 4