



US00D566303S

(12) **United States Design Patent**  
**Uemoto et al.**

(10) **Patent No.:** **US D566,303 S**  
(45) **Date of Patent:** **\*\* Apr. 8, 2008**

(54) **LIGHTING APPARATUS**

(75) Inventors: **Takaari Uemoto**, Kadoma (JP); **Keiji Nishimoto**, Kadoma (JP); **Yasuharu Ueno**, Kadoma (JP); **Satoshi Shida**, Kadoma (JP); **Yuji Omata**, Kadoma (JP)

(73) Assignee: **Matsushita Electric Industrial Co., Ltd.**, Osaka (JP)

(\*\*) Term: **14 Years**

(21) Appl. No.: **29/270,315**

(22) Filed: **Dec. 19, 2006**

(30) **Foreign Application Priority Data**

Jun. 20, 2006 (JP) ..... 2006-015943

(51) **LOC (8) Cl.** ..... **26-04**

(52) **U.S. Cl.** ..... **D26/24; D26/1**

(58) **Field of Classification Search** ..... D26/24,  
D26/1, 2, 37, 72, 74, 80, 81, 83, 93, 105,  
D26/113, 25; D13/180, 182; 362/612, 631,  
362/555, 89, 147, 153, 257, 800; 257/79,  
257/80, 82, 88, 433; 313/500

See application file for complete search history.

(56) **References Cited**

**U.S. PATENT DOCUMENTS**

6,474,826	B1 *	11/2002	Tanaka et al.	.....	362/612
6,492,698	B2 *	12/2002	Kim et al.	.....	257/432
6,627,994	B2 *	9/2003	Hashimoto	.....	257/739
6,921,924	B2 *	7/2005	Tsai et al.	.....	257/95
D528,226	S *	9/2006	Nagai et al.	.....	D26/1
D529,202	S *	9/2006	Nagai et al.	.....	D26/1

7,221,001	B2 *	5/2007	Okuyama et al.	.....	257/95
2002/0024096	A1 *	2/2002	Yamazaki et al.	.....	257/359
2003/0107047	A1 *	6/2003	Okuyama et al.	.....	257/95
2003/0165054	A1 *	9/2003	Ohizumi et al.	.....	362/31
2006/0126327	A1 *	6/2006	Parker et al.	.....	362/231

**FOREIGN PATENT DOCUMENTS**

EM	000378575-0004	*	7/2005
EM	000378575-0005	*	7/2005
JP	2003-124528		4/2003

\* cited by examiner

*Primary Examiner*—Cathron Brooks

*Assistant Examiner*—Angela J Lee

(74) *Attorney, Agent, or Firm*—Brinks Hofer Gilson & Lione

(57) **CLAIM**

The ornamental design for a lighting apparatus, as shown and described.

**DESCRIPTION**

FIG. 1 is a top perspective view of a lighting apparatus of the present invention;

FIG. 2 is a front view thereof, the rear view being a mirror image thereof;

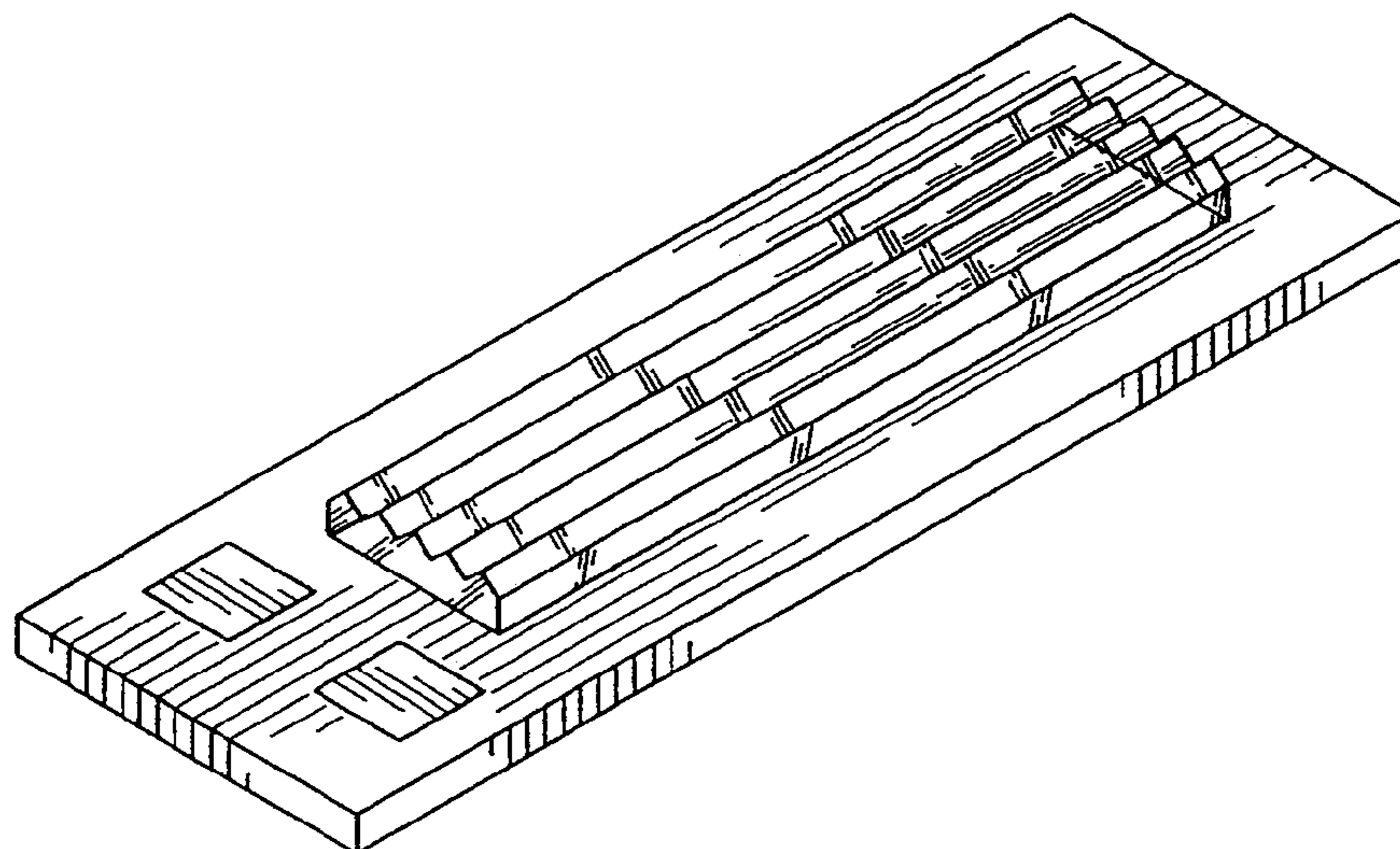
FIG. 3 is a left side view thereof, the right side view being a mirror image thereof;

FIG. 4 is a top view thereof; and,

FIG. 5 is a bottom view thereof.

An elongated elevation with triangular ridges thereon is transparent and thus light comes through. The two squares are electrodes.

**1 Claim, 3 Drawing Sheets**



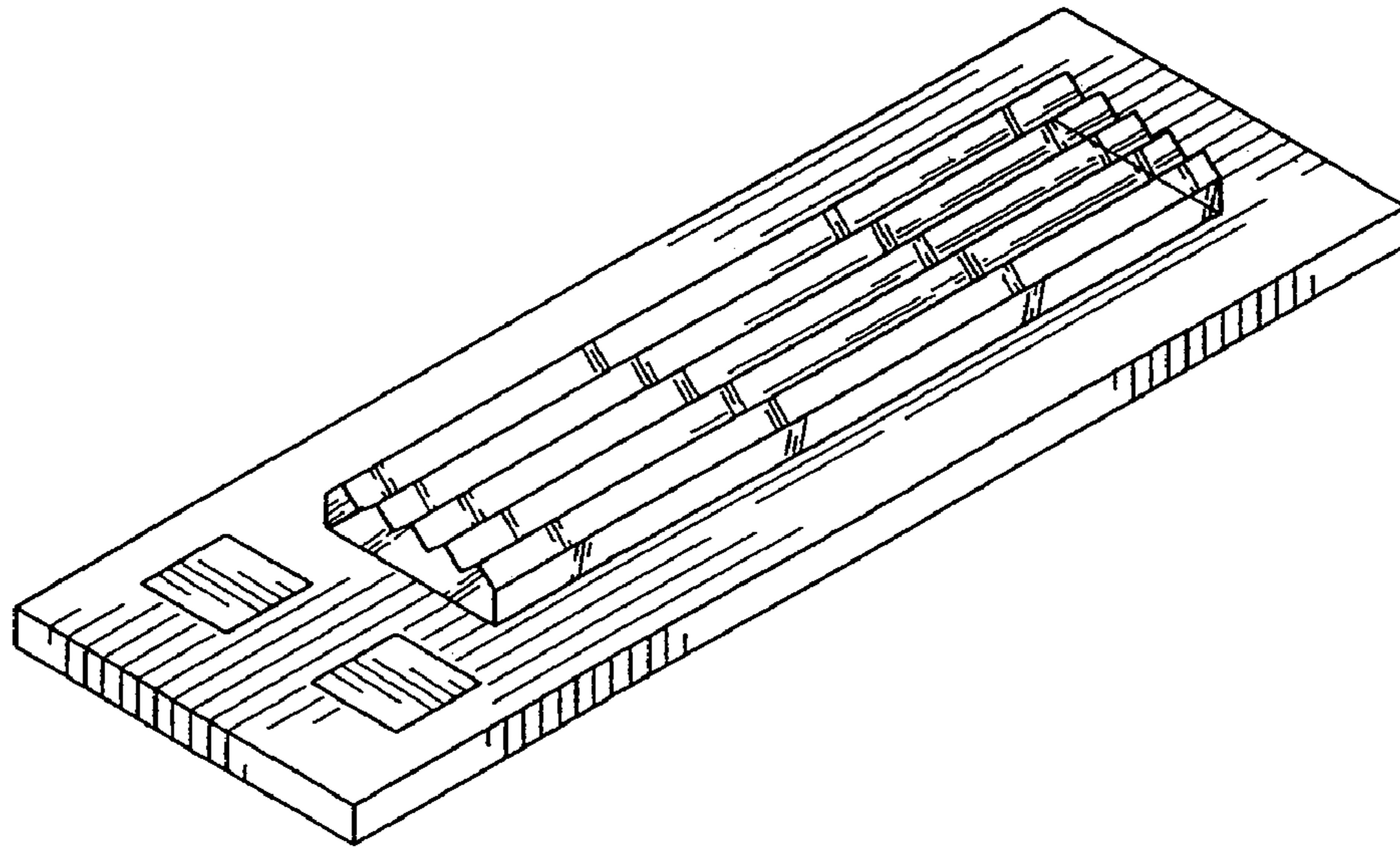


FIG. 1

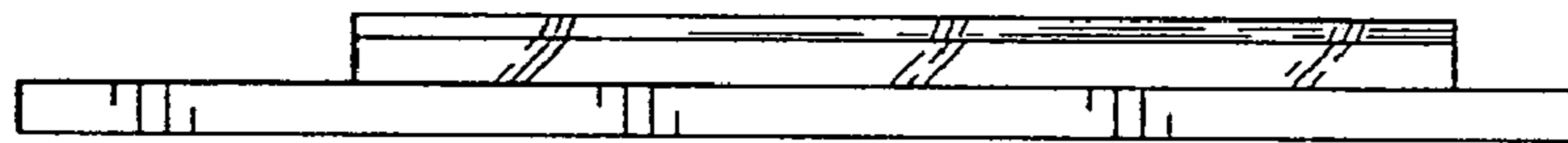


FIG. 2



FIG. 3

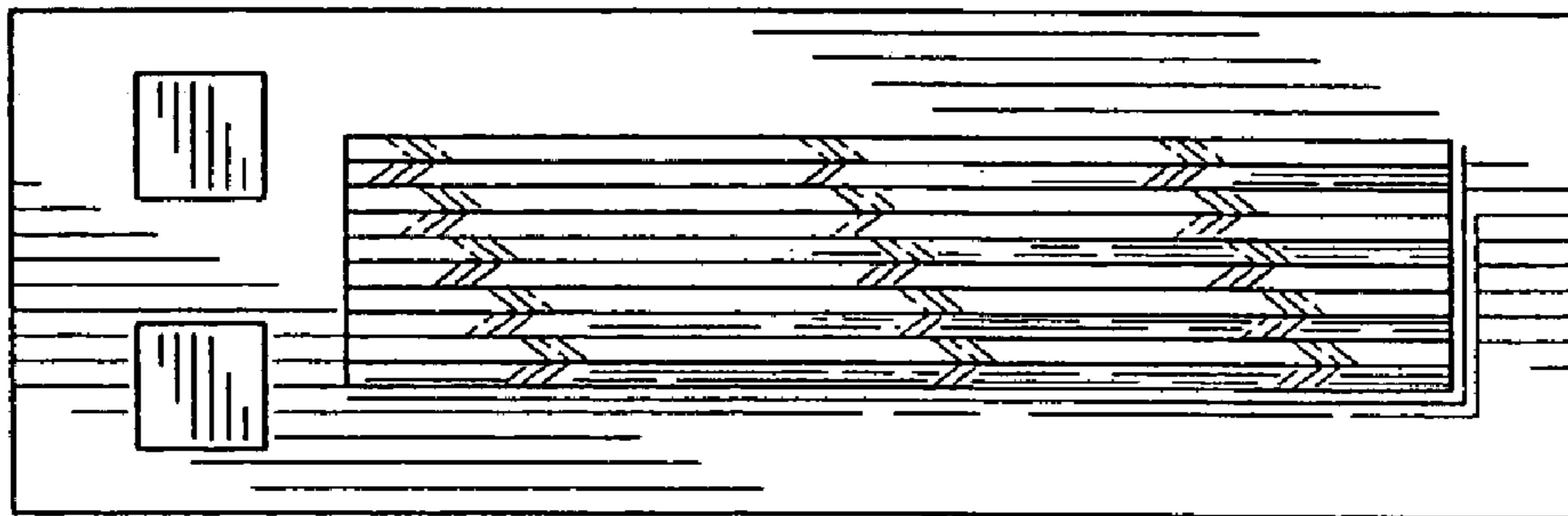
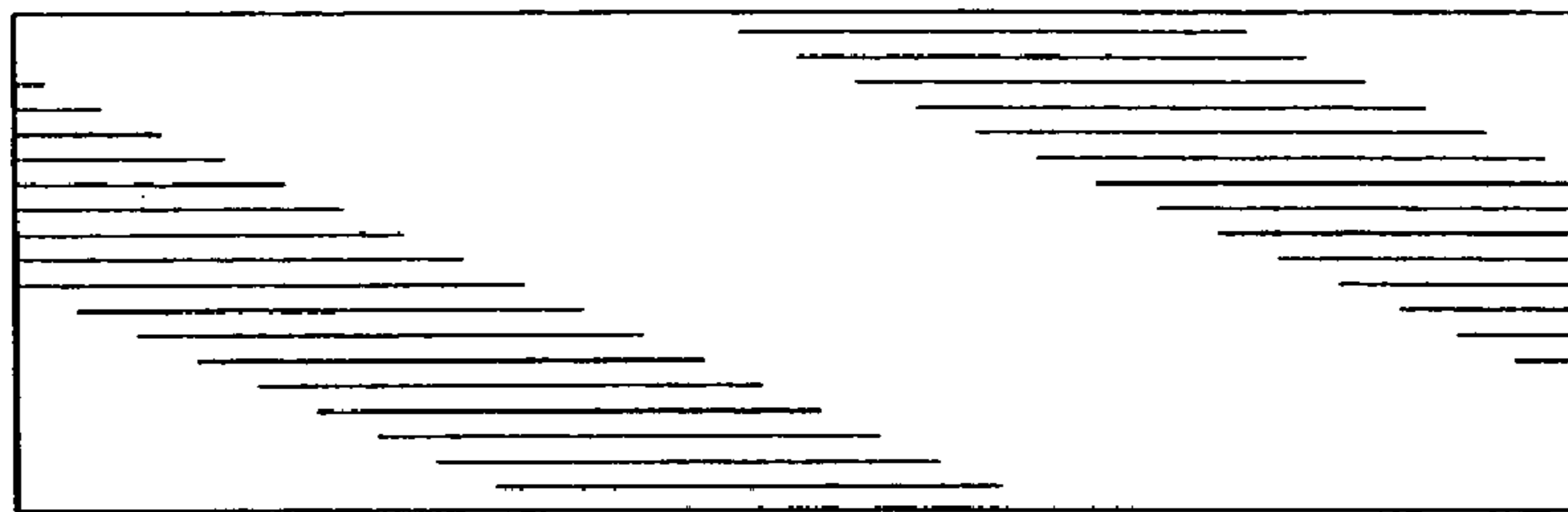


FIG. 4



*FIG.5*