



US00D566299S

(12) **United States Design Patent**
Mann

(10) **Patent No.:** **US D566,299 S**

(45) **Date of Patent:** **** Apr. 8, 2008**

(54) **BUILDING MATERIAL HAVING A
PROFILED SECTION OF INDEFINITE
LENGTH**

D479,612 S * 9/2003 Larsen et al. D25/121
D482,803 S * 11/2003 Yates, Jr. D25/121
6,708,460 B1 * 3/2004 Elderson 52/481.1

(75) Inventor: **Ronald Leslie Mann**, Sydney (AU)

(73) Assignee: **Gram Engineering Pty Limited**,
Smithfield, New South Wales (AU)

(**) Term: **14 Years**

(21) Appl. No.: **29/270,810**

(22) Filed: **Jan. 4, 2007**

(30) **Foreign Application Priority Data**

Jul. 7, 2006 (AU) 12903/2006

(51) **LOC (8) Cl.** **25-01**

(52) **U.S. Cl.** **D25/121**

(58) **Field of Classification Search** 52/716.1,
52/579, 580, 578, 481.1, 393; D25/121
See application file for complete search history.

(56) **References Cited**

U.S. PATENT DOCUMENTS

5,245,811 A * 9/1993 Knorr 52/481.1

* cited by examiner

Primary Examiner—Doris Clark

(74) *Attorney, Agent, or Firm*—Pearne & Gordon LLP

(57) **CLAIM**

The ornamental design for a building material having a profiled section of indefinite length, as shown and described.

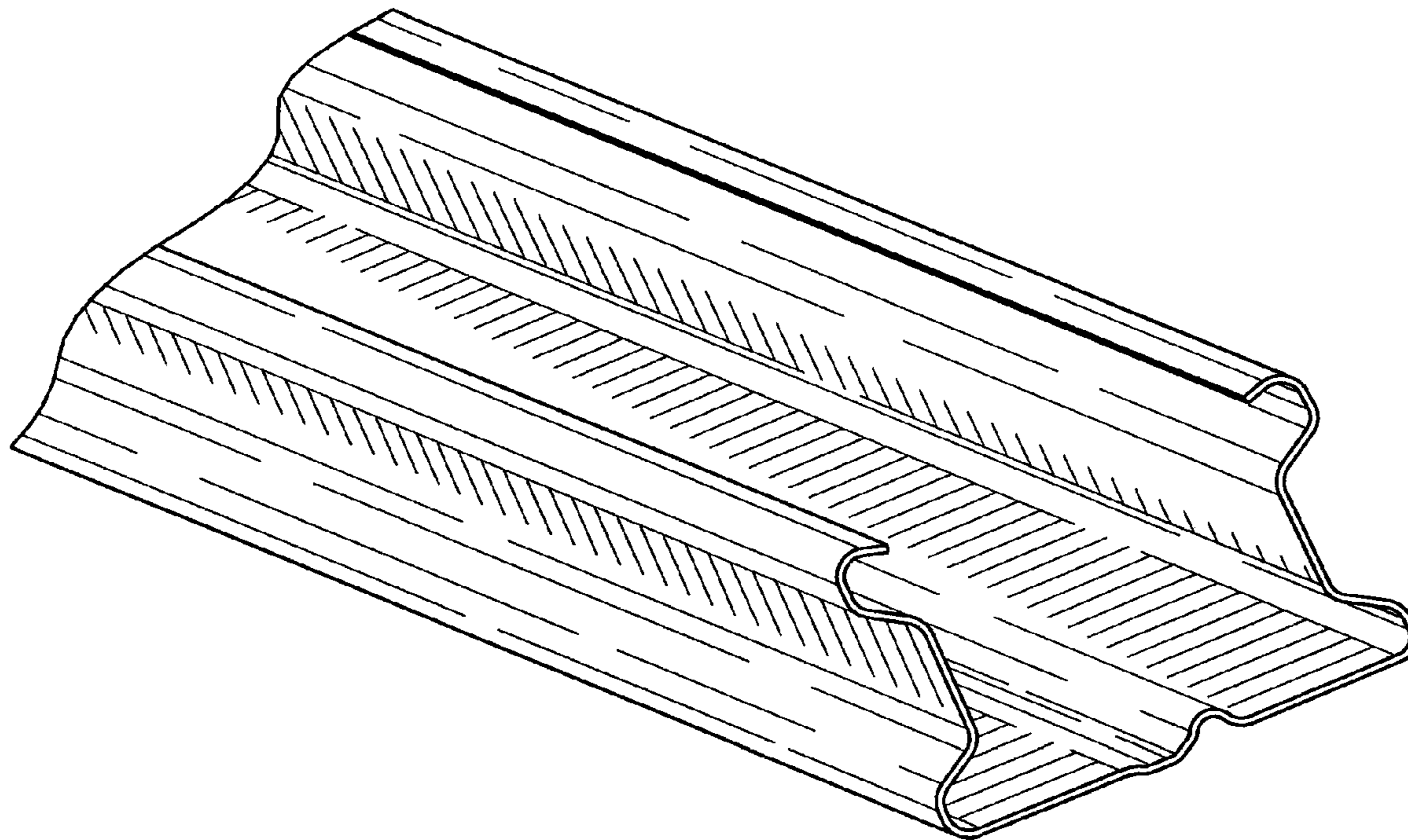
DESCRIPTION

FIG. 1 is a top perspective view of the building material having a profiled section of indefinite length, showing my new design;

FIG. 2 is a bottom perspective view thereof; and,

FIG. 3 is a side elevational view thereof.

1 Claim, 3 Drawing Sheets



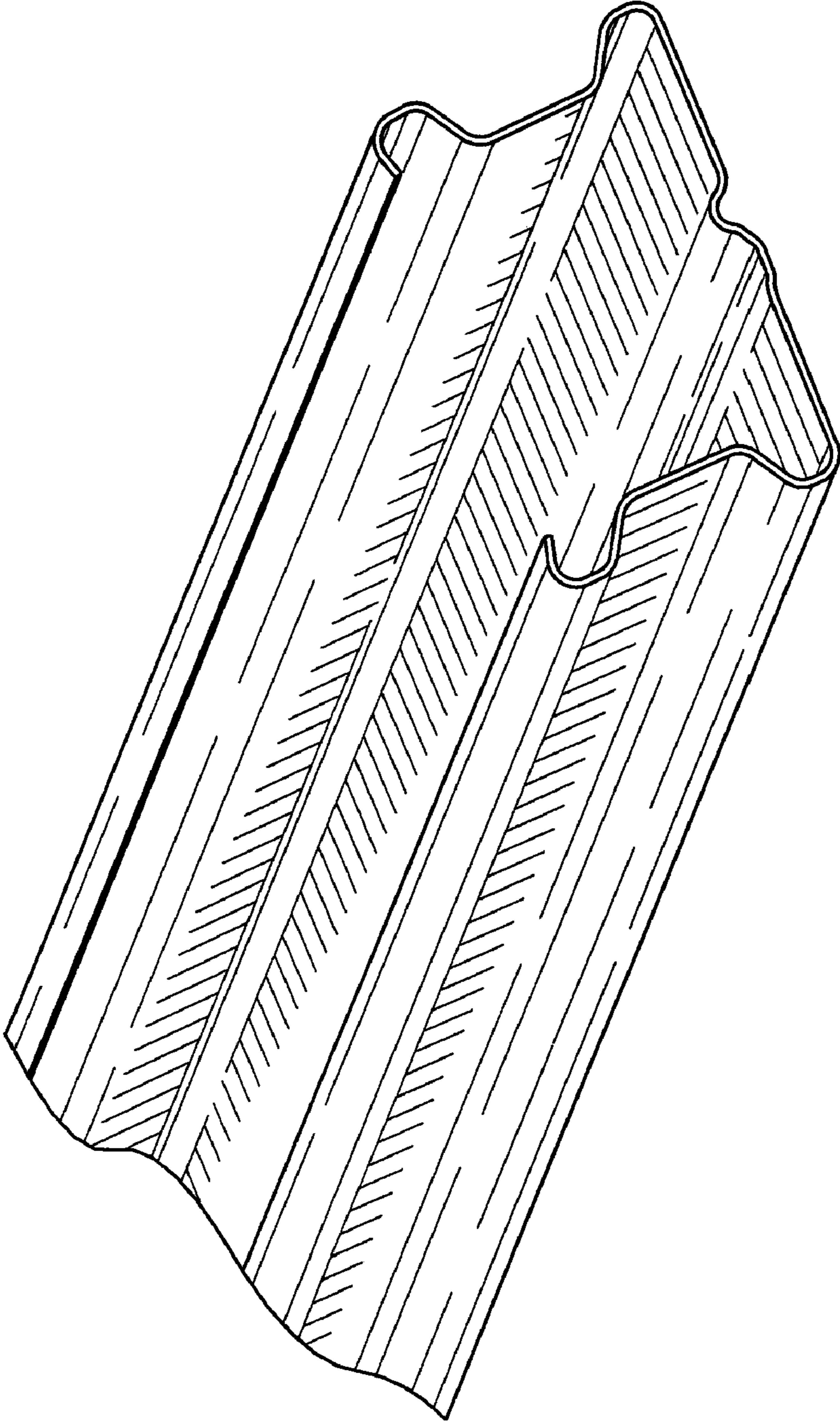


FIG. 1

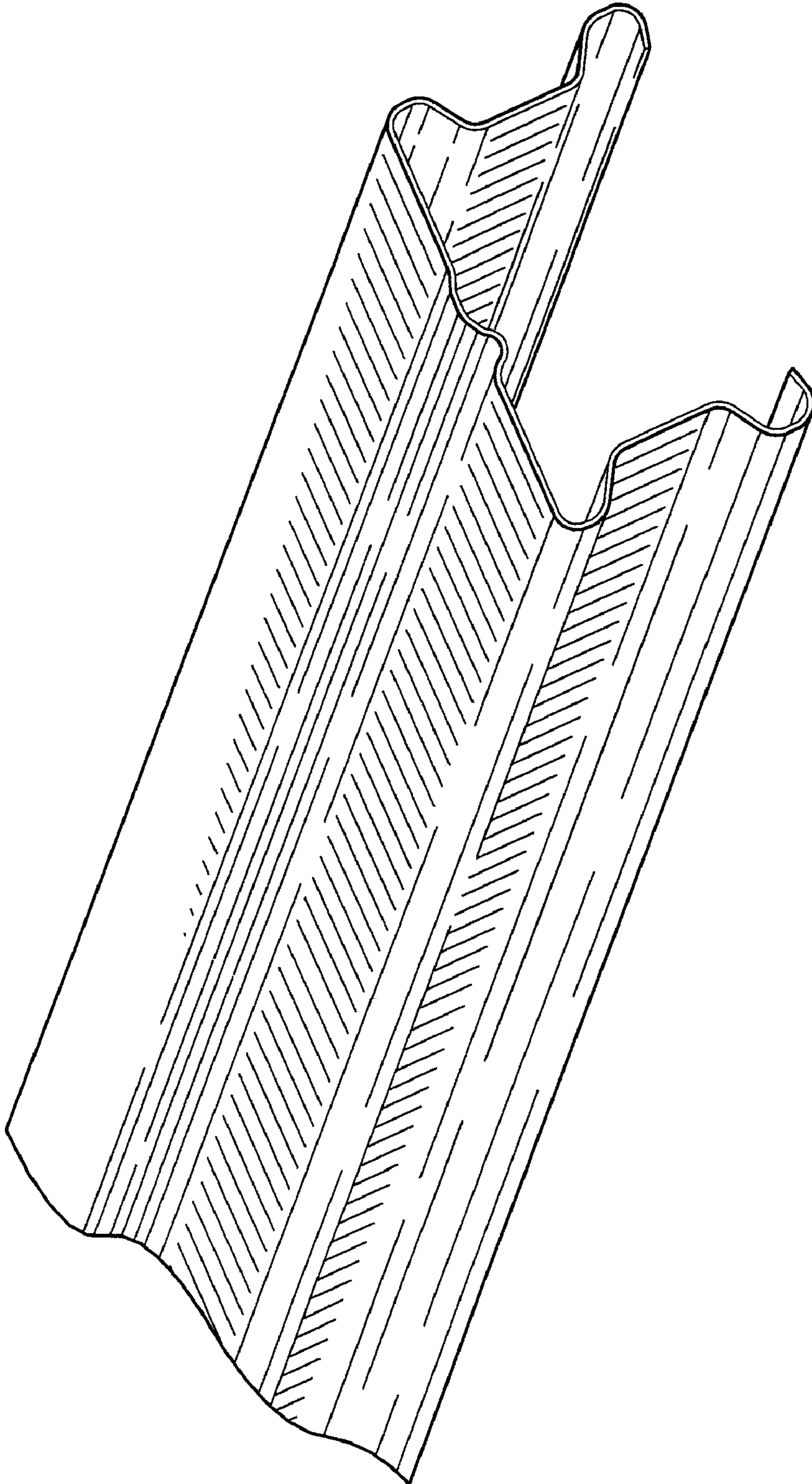


FIG. 2

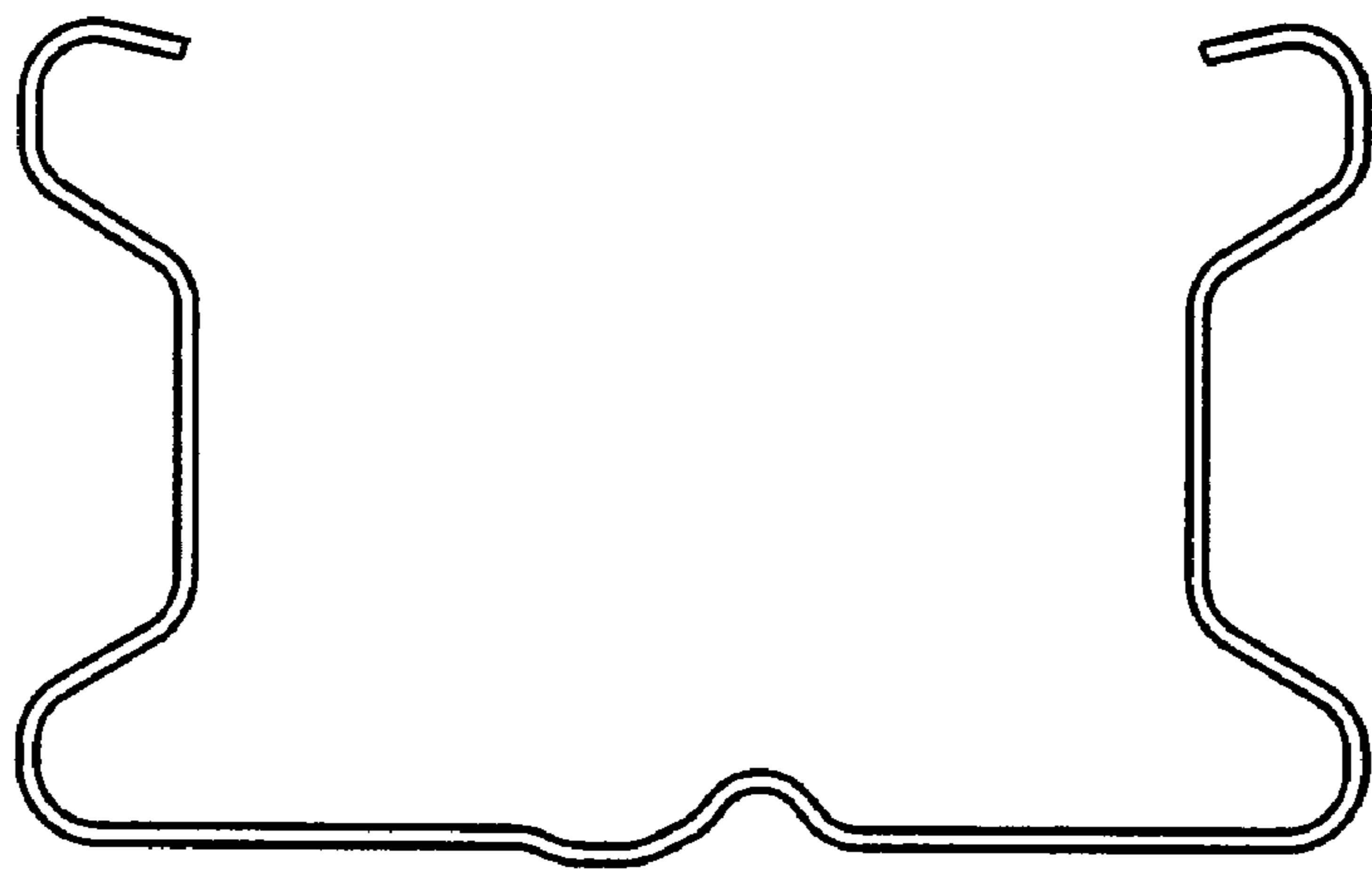


FIG.3