

US00D566292S

(12) **United States Design Patent**  
**Gibbs**

(10) **Patent No.:** **US D566,292 S**

(45) **Date of Patent:** **\*\* Apr. 8, 2008**

(54) **FENCE**

6,811,145 B2 11/2004 Gibbs et al.  
6,874,767 B1 4/2005 Gibbs  
6,969,051 B1 11/2005 Gibbs

(76) **Inventor:** **Edward L. Gibbs**, 1555 N. Mingo Rd.,  
Tulsa, OK (US) 74106

**OTHER PUBLICATIONS**

(\*\*) **Term:** **14 Years**

Ameristar Fence Products, Inc., "Aegis II Ornamental Fence & TransPort Ornamental Gates," pp. 1-16, published in the United States in Aug. 1999.

(21) **Appl. No.:** **29/276,981**

Ameristar Fence Products, Inc., "Aegis II Industrial & Aegis Plus Commercial Ornamental Steel Fence and TransPort Ornamental Gates," pp. 1-18, published in the United States in Aug. 2000.

(22) **Filed:** **Feb. 9, 2007**

Ameristar Fence Products, Inc., "Aegis Ornamental Steel Residential Fencing," pp. 1-8, published in the United States no later than Apr. 2001.

**Related U.S. Application Data**

(63) Continuation-in-part of application No. 11/668,942,  
filed on Jan. 30, 2007.

Ameristar Fence Products, Inc., "2002 Price Catalog," all pages, published in the United States by at least Nov. 1, 2001 (prices redacted).

(51) **LOC (8) Cl.** ..... **25-02**

Ameristar Fence Products, Inc., "Tired of the Threats?," pp. 1-12, published in the United States in Aug. 2002.

(52) **U.S. Cl.** ..... **D25/42; D25/119**

(58) **Field of Classification Search** ..... D25/38,  
D25/42, 43, 119; 256/19, 22, 65.01, 65.14,  
256/65.11, 65.02, DIG. 5, 33, 34; 52/301,  
52/720.1, 745.17

\* cited by examiner

See application file for complete search history.

*Primary Examiner*—Doris Clark

(74) *Attorney, Agent, or Firm*—Gary Peterson

(56) **References Cited**

(57) **CLAIM**

**U.S. PATENT DOCUMENTS**

The ornamental design for a fence, as shown and described.

D133,482 S *	8/1942	MacKenzie	.....	D25/42
3,892,387 A *	7/1975	Mann	.....	256/24
4,074,893 A *	2/1978	Coltrin	.....	256/21
4,723,759 A *	2/1988	Patrick	.....	256/22
5,136,813 A	8/1992	Gibbs et al.		
5,272,838 A	12/1993	Gibbs		
5,345,723 A	9/1994	Gibbs		
5,415,380 A *	5/1995	Sharp	.....	256/24
5,443,244 A	8/1995	Gibbs		
5,613,664 A *	3/1997	Svalbe	.....	256/19
6,176,043 B1	1/2001	Gibbs		
6,254,064 B1	7/2001	Gibbs		
D465,856 S	11/2002	Givens et al.		
D466,620 S	12/2002	Givens et al.		
D467,669 S	12/2002	Givens et al.		
D468,028 S	12/2002	Givens et al.		
D479,883 S *	9/2003	Gresham et al.	.....	D25/58

**DESCRIPTION**

FIG. 1 is a front perspective view showing fence of the present invention.

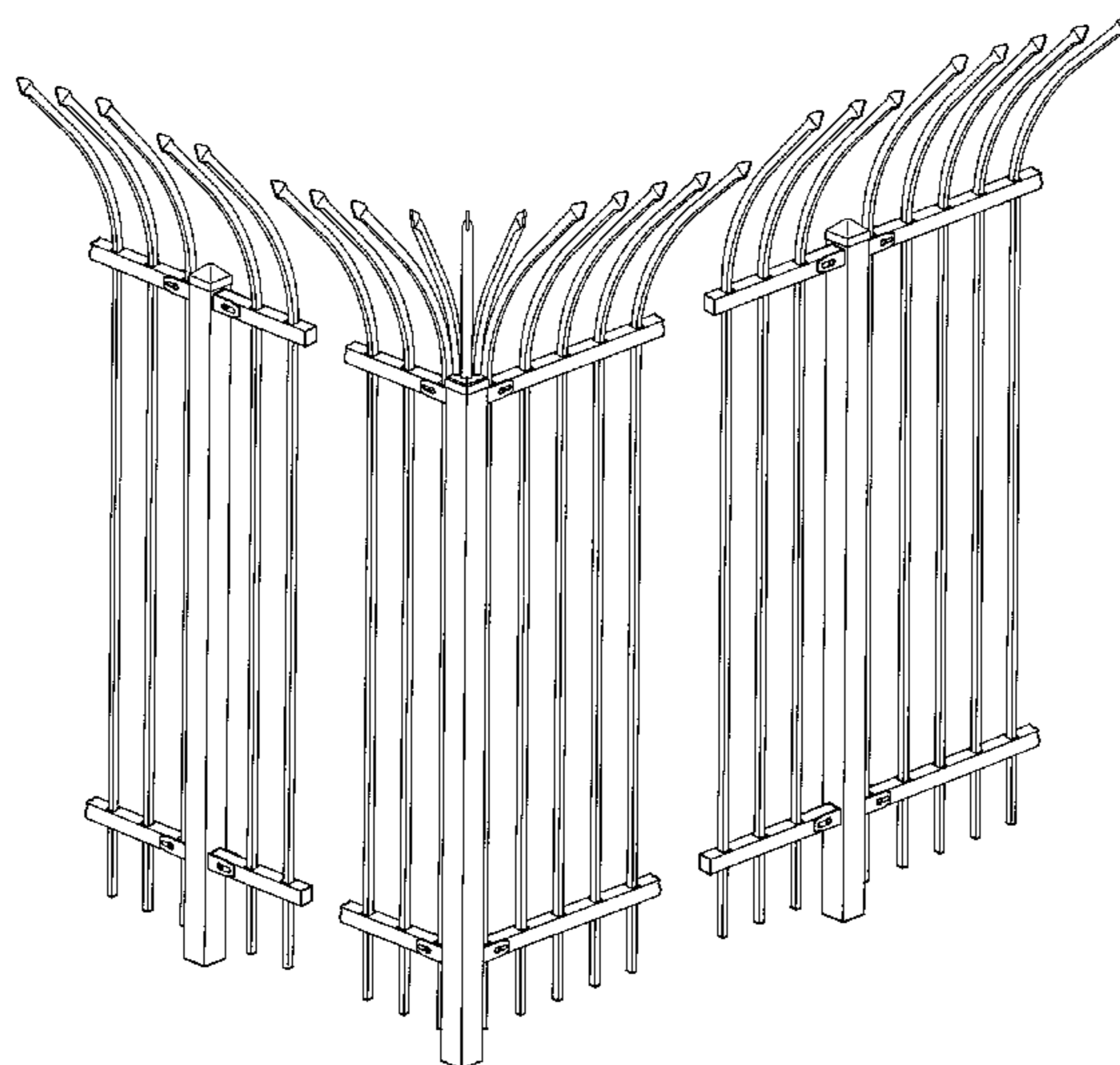
FIG. 2 is an enlarged front perspective view of the corner picket assembly of the fence shown in FIG. 1.

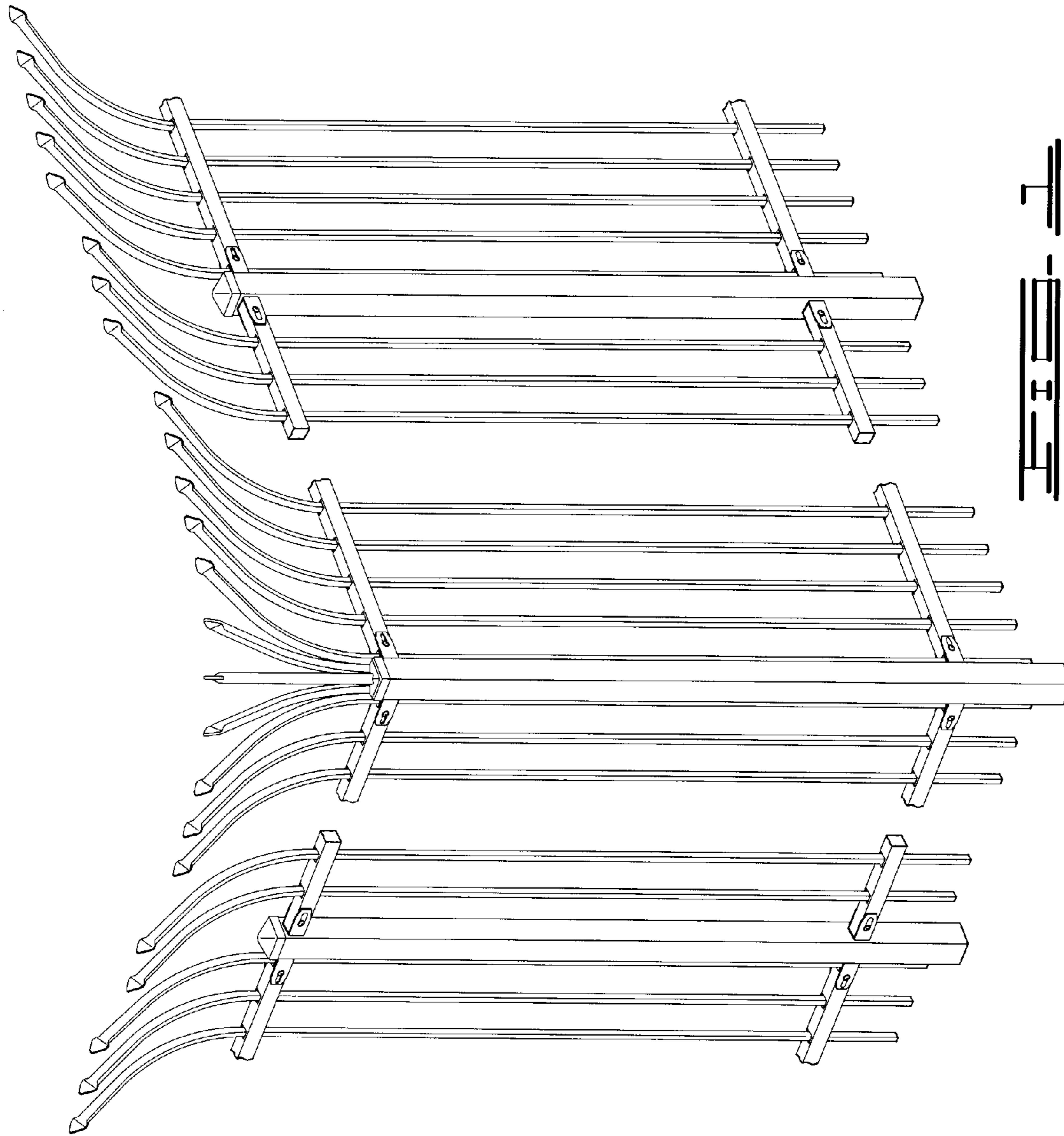
FIG. 3 is an enlarged front perspective view of the corner picket assembly of the fence shown in FIG. 1; and,

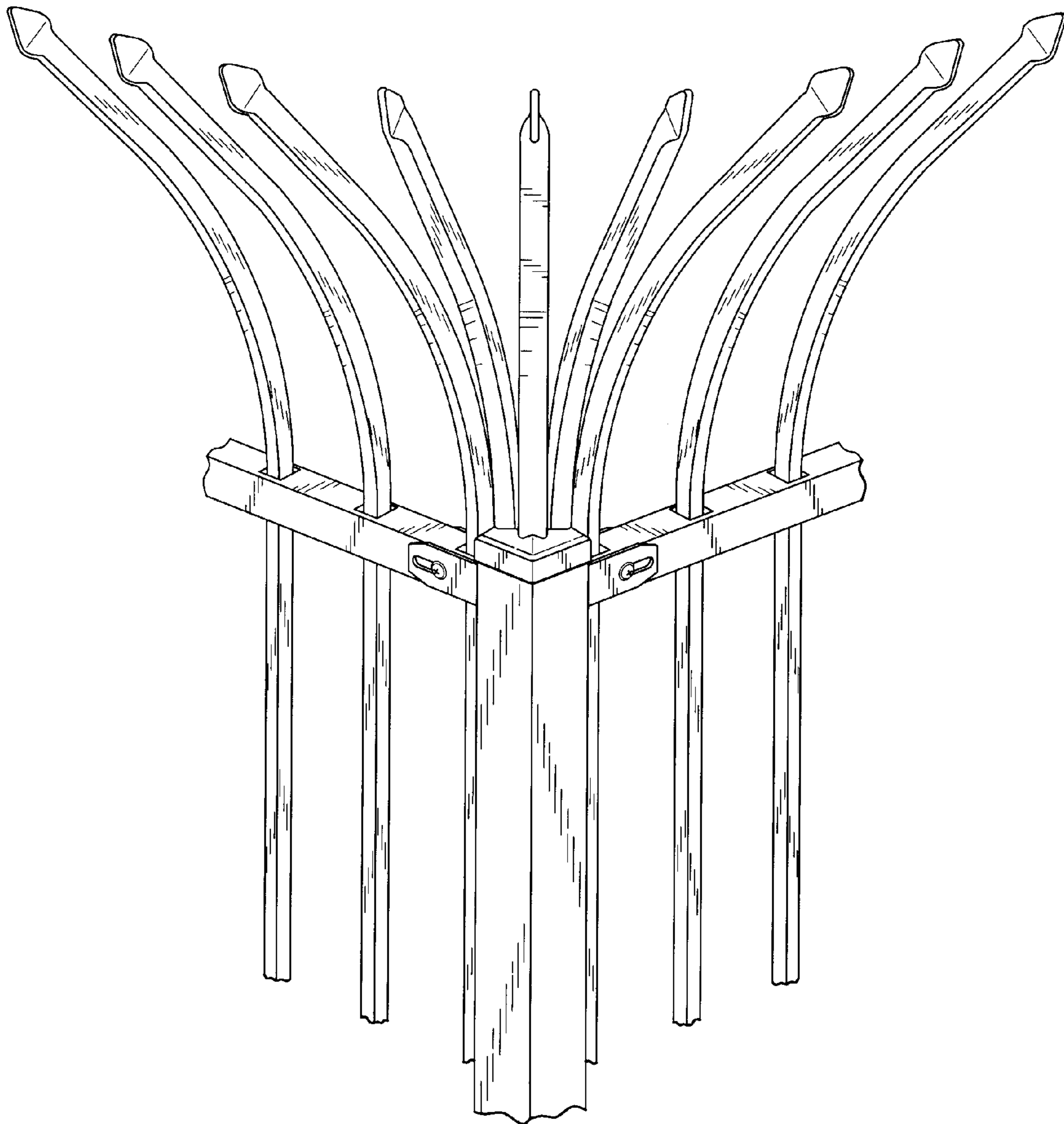
FIG. 4 is a top plan view of the corner picket assembly of the fence shown in FIG. 1.

The fence pattern repeats as indicated. Portions of the fence are broken away to indicate indeterminate length.

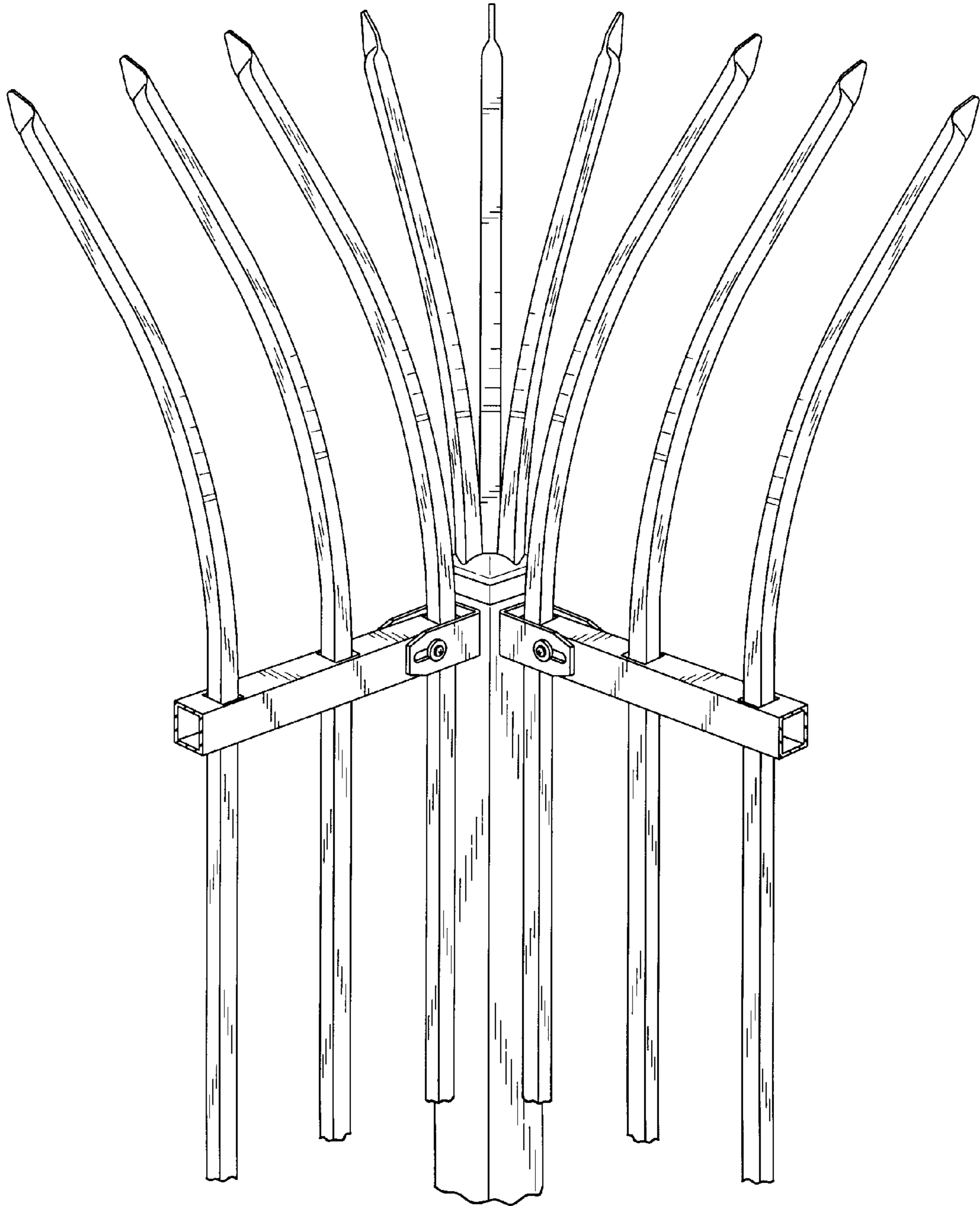
**1 Claim, 4 Drawing Sheets**







**FIG. 2**





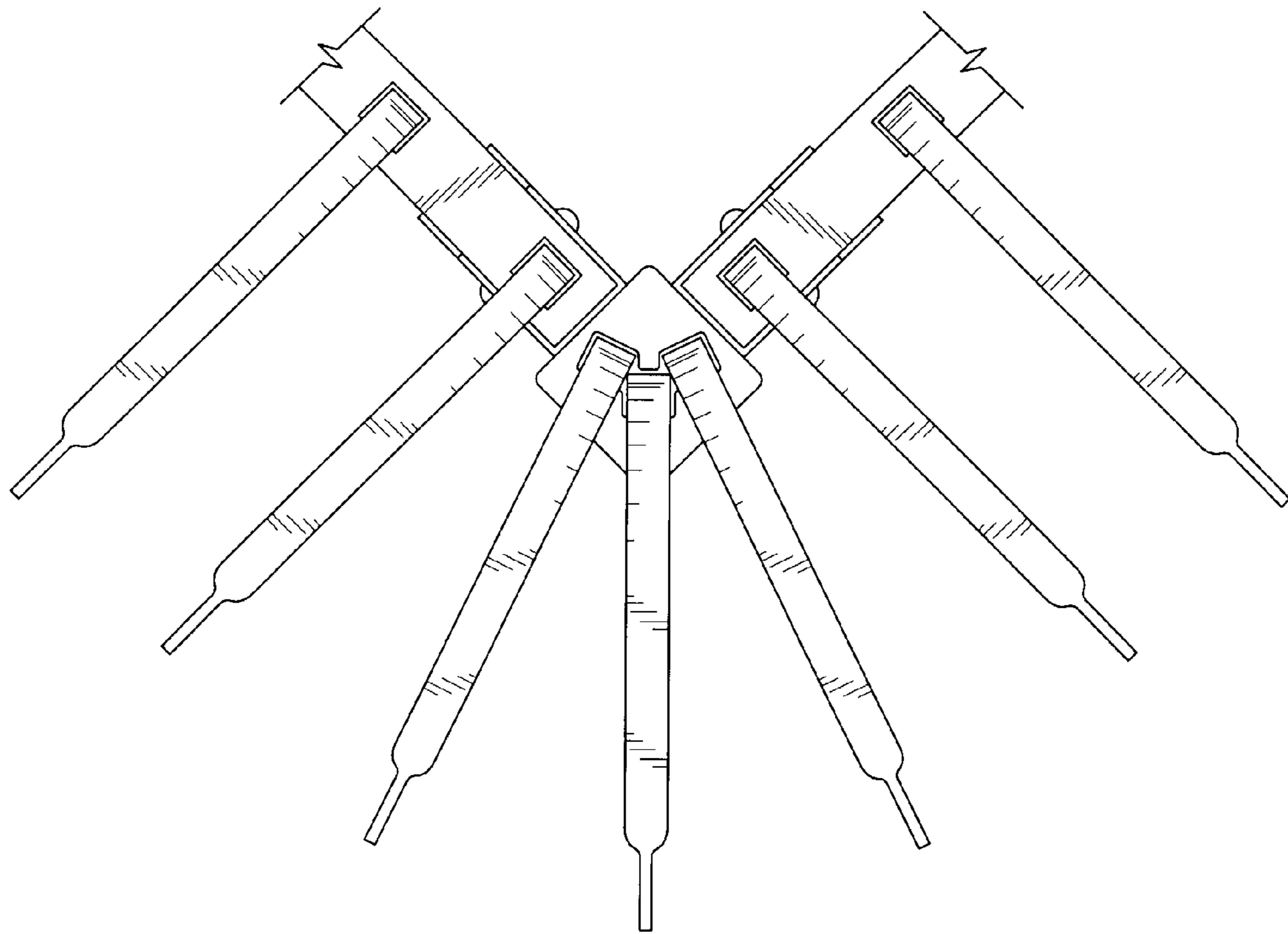


FIG. 4