



US00D566291S

(12) **United States Design Patent**  
**Parunak et al.**

(10) **Patent No.:** **US D566,291 S**

(45) **Date of Patent:** **\*\* Apr. 8, 2008**

(54) **MICROFLUIDIC CARTRIDGE**

(75) Inventors: **Gene Parunak**, Saline, MI (US);  
**Kalyan Handique**, Ypsilanti, MI (US);  
**Aaron Kehrer**, Ypsilanti, MI (US);  
**Sundaresh N. Brahasandra**, Ann  
Arbor, MI (US); **Jeff Williams**,  
Chelsea, MI (US)

(73) Assignee: **Handylab, Inc.**, Ann Arbor, MI (US)

(\*\*) Term: **14 Years**

(21) Appl. No.: **29/257,030**

(22) Filed: **Mar. 27, 2006**

**Related U.S. Application Data**

(63) Continuation-in-part of application No. 11/338,422,  
filed on Jan. 23, 2006, which is a continuation-in-part  
of application No. 11/281,247, filed on Nov. 16, 2005,  
which is a continuation-in-part of application No.  
PCT/US05/15345, filed on May 3, 2005.

(51) **LOC (8) Cl.** ..... **24-01**

(52) **U.S. Cl.** ..... **D24/224**

(58) **Field of Classification Search** ..... D24/216-230;  
422/58, 61, 101, 102, 104; 435/287.2, 287.3  
See application file for complete search history.

(56) **References Cited**

**U.S. PATENT DOCUMENTS**

D254,687 S 4/1980 Fadler et al.  
4,301,412 A 11/1981 Hill et al.  
D302,294 S \* 7/1989 Hillman ..... D24/223  
D324,426 S \* 3/1992 Fan et al. .... D24/226  
D328,135 S \* 7/1992 Fan et al. .... D24/223

D438,632 S \* 3/2001 Miller ..... D24/224  
D438,633 S \* 3/2001 Miller ..... D24/224  
D470,595 S 2/2003 Crisanti et al.  
D491,273 S \* 6/2004 Biegler et al. .... D24/216  
D499,813 S \* 12/2004 Wu ..... D24/223  
2006/0166233 A1 7/2006 Wu  
2006/0183216 A1 8/2006 Handique

**FOREIGN PATENT DOCUMENTS**

WO WO 2005/108620 11/2005

**OTHER PUBLICATIONS**

U.S. Appl. No. 60/645,784, filed Jan. 21, 2005, Handique et al.

\* cited by examiner

*Primary Examiner*—Celia Murphy

*Assistant Examiner*—Anhdao Doan

(74) *Attorney, Agent, or Firm*—Fish & Richardson P.C.

(57) **CLAIM**

The ornamental design for a microfluidic cartridge, as  
shown and described.

**DESCRIPTION**

FIG. 1 is a front perspective view of a microfluidic cartridge  
of the new design;

FIG. 2 is a top plan view thereof;

FIG. 3 is a front elevation view thereof;

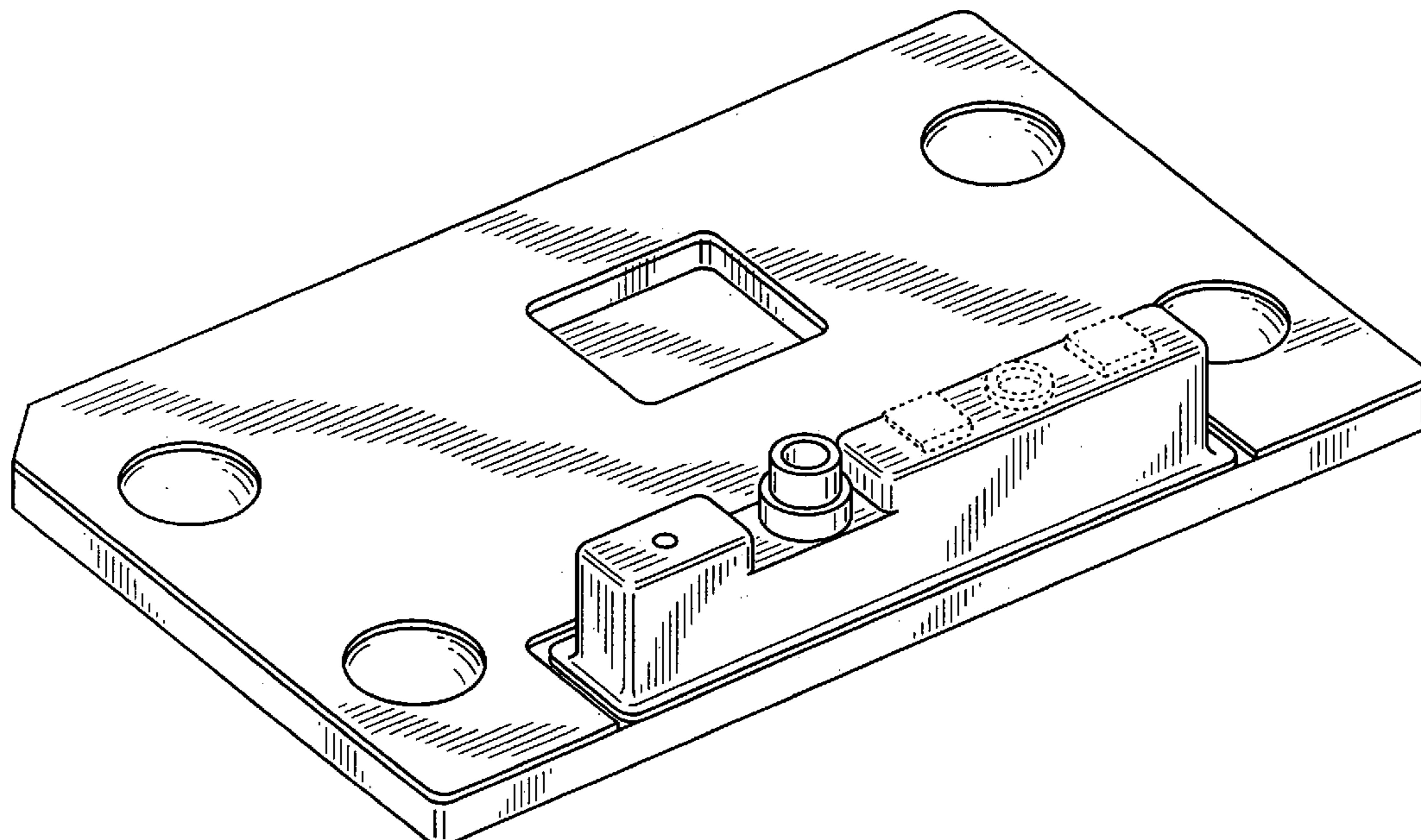
FIG. 4 is a rear elevation view thereof;

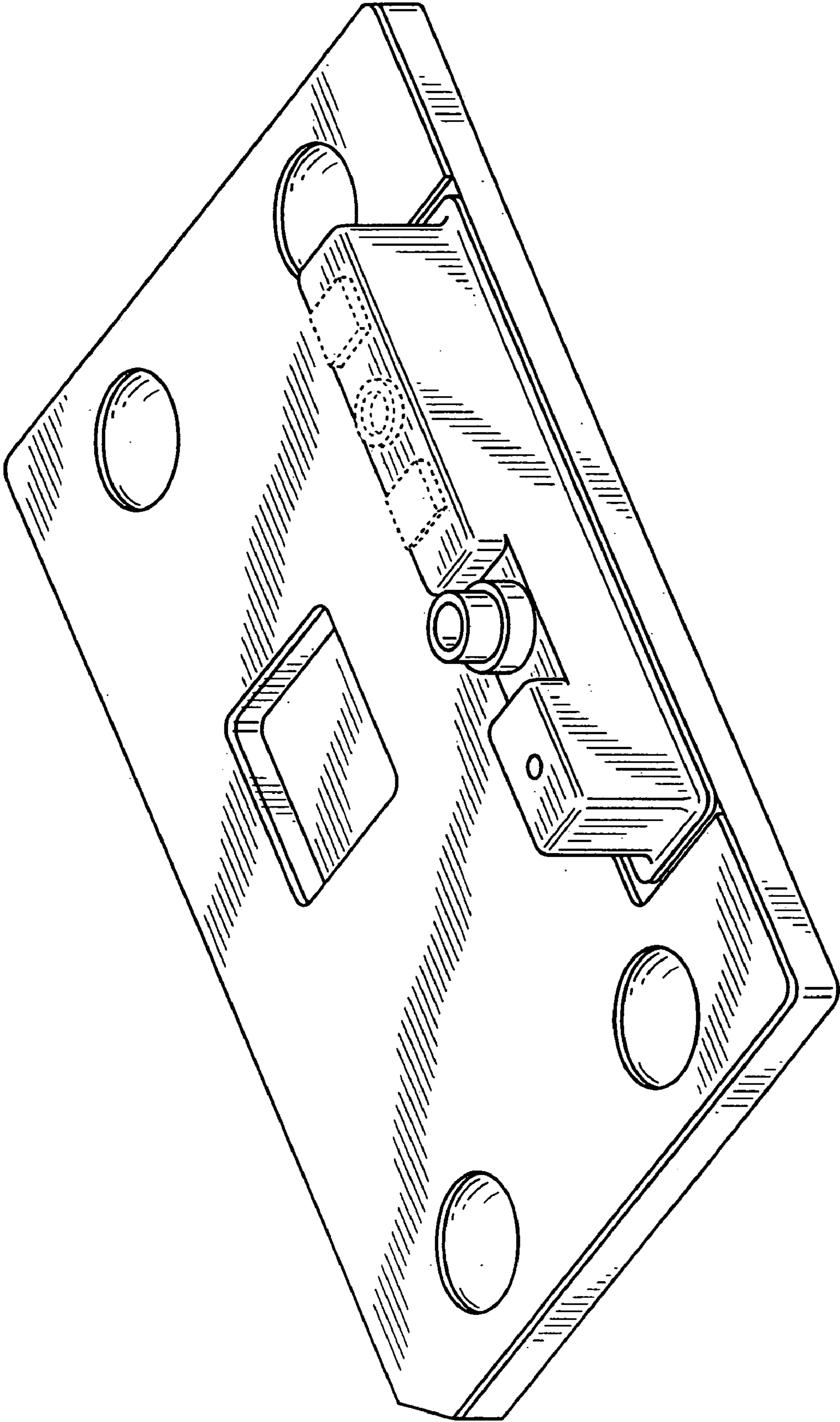
FIG. 5 is first side view thereof; and,

FIG. 6 is a second side view thereof.

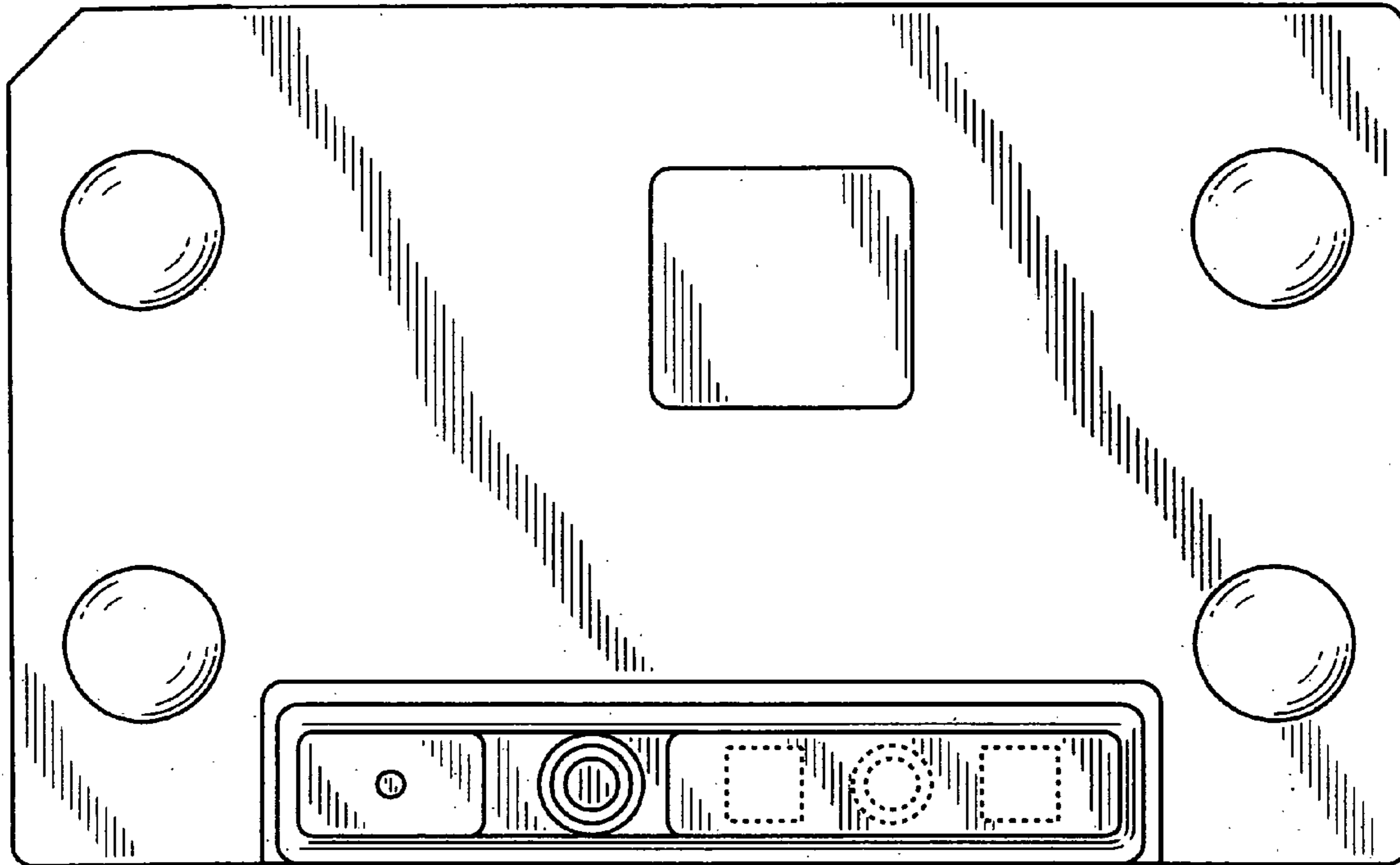
The broken lines in FIGS. 1 through 6 are for illustrative  
purposes only and form no part of the claimed design.

**1 Claim, 3 Drawing Sheets**

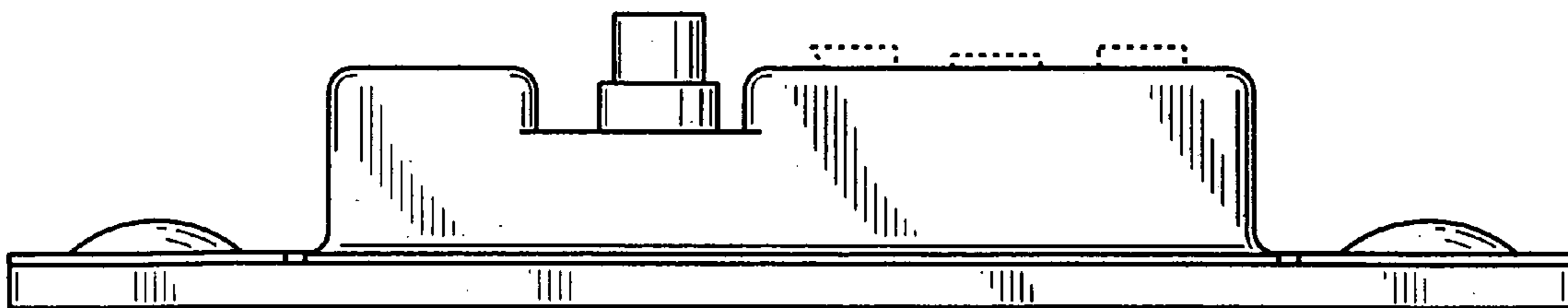




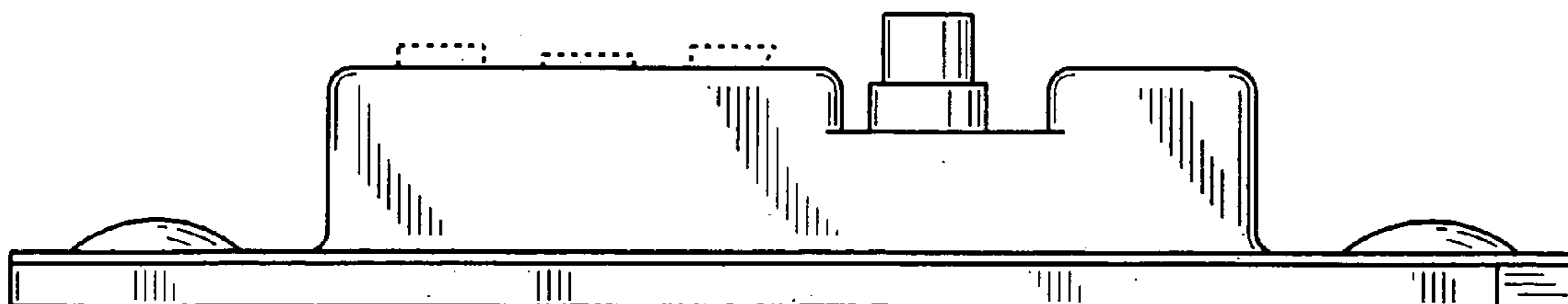
**FIG. 1**



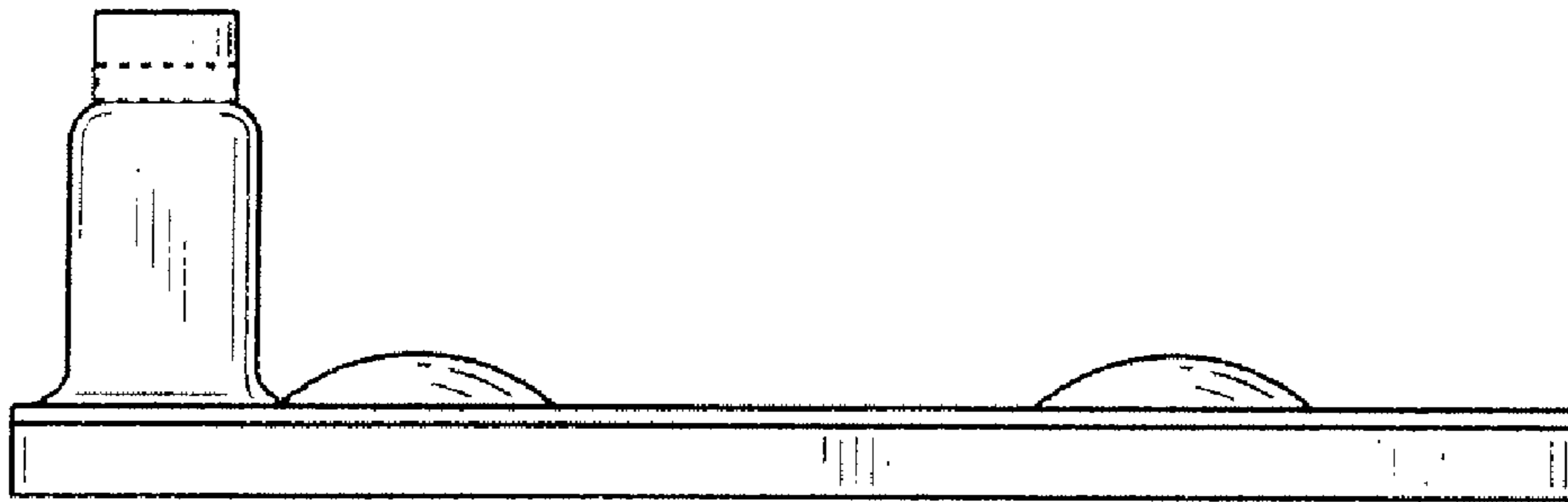
**FIG. 2**



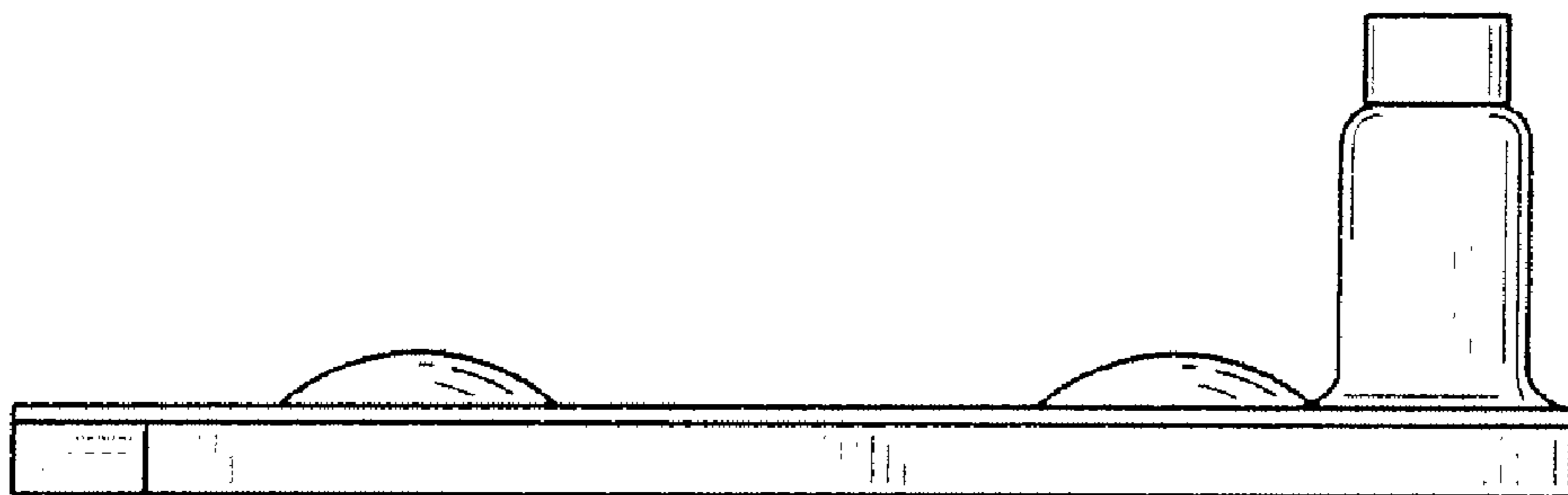
**FIG. 3**



**FIG. 4**



**FIG. 5**



**FIG. 6**