



US00D566290S

(12) **United States Design Patent**  
**Parmer et al.**

(10) **Patent No.:** **US D566,290 S**

(45) **Date of Patent:** **\*\* Apr. 8, 2008**

(54) **CLINICAL SOLUTION BOTTLE PORTION**

(75) Inventors: **Jeffery Kenneth Parmer**, Newark, DE (US); **Jay Mark Walters**, New London, PA (US); **Lawrence D. Huppman**, Newark, DE (US); **David Russell Thompson**, Kennett Square, PA (US); **Jeannine Marie Carrio**, Newark, DE (US); **Richard Grear Warwick**, Newark, DE (US)

(73) Assignee: **Dade Behring Inc.**, Deerfield, IL (US)

(\*\*) Term: **14 Years**

(21) Appl. No.: **29/243,428**

(22) Filed: **Nov. 23, 2005**

(51) **LOC (8) Cl.** ..... **24-01**

(52) **U.S. Cl.** ..... **D24/224**

(58) **Field of Classification Search** ..... D24/216–230, D24/115, 117; 422/101, 102, 104; 206/532, 206/539; D9/696, 697, 699, 425–428, 520  
See application file for complete search history.

(56) **References Cited**

**U.S. PATENT DOCUMENTS**

D257,288 S	*	10/1980	Pagels	.....	D24/117
D259,213 S	*	5/1981	Pagels	.....	D24/117
D260,178 S	*	8/1981	Pagels	.....	D24/117
D265,587 S	*	7/1982	Lahay	.....	D24/117
D265,588 S	*	7/1982	Lahay	.....	D24/117
D296,668 S		7/1988	Stavish	.....	D9/520
D326,228 S	*	5/1992	Stratford et al.	.....	D9/521
D332,544 S		1/1993	Seiner et al.	.....	D6/545
D342,140 S	*	12/1993	Sakagami et al.	.....	D24/224
D353,464 S	*	12/1994	Ushikubo	.....	D24/224

D358,219 S	*	5/1995	Ushikubo	.....	D24/224
D374,481 S	*	10/1996	McCallister et al.	.....	D24/121
D407,826 S		4/1999	Yamazchi et al.	.....	D24/224
5,899,334 A		5/1999	Domerchie et al.	.....	206/470
6,070,723 A		6/2000	Lewis	.....	206/335

\* cited by examiner

*Primary Examiner*—Ian Simmons

*Assistant Examiner*—Anhdao Doan

(74) *Attorney, Agent, or Firm*—Leland K. Jordan

(57) **CLAIM**

The ornamental design for a clinical solution bottle portion, as shown and described.

**DESCRIPTION**

FIG. 1 is a perspective view of a first embodiment of a bottle portion showing the new design;

FIG. 2 is a front elevation thereof, the rear elevation view being identical except for the unclaimed broken lines;

FIG. 3 is a right side elevation view thereof, the left side elevation view being identical except for the unclaimed broken lines;

FIG. 4 is a bottom plan view;

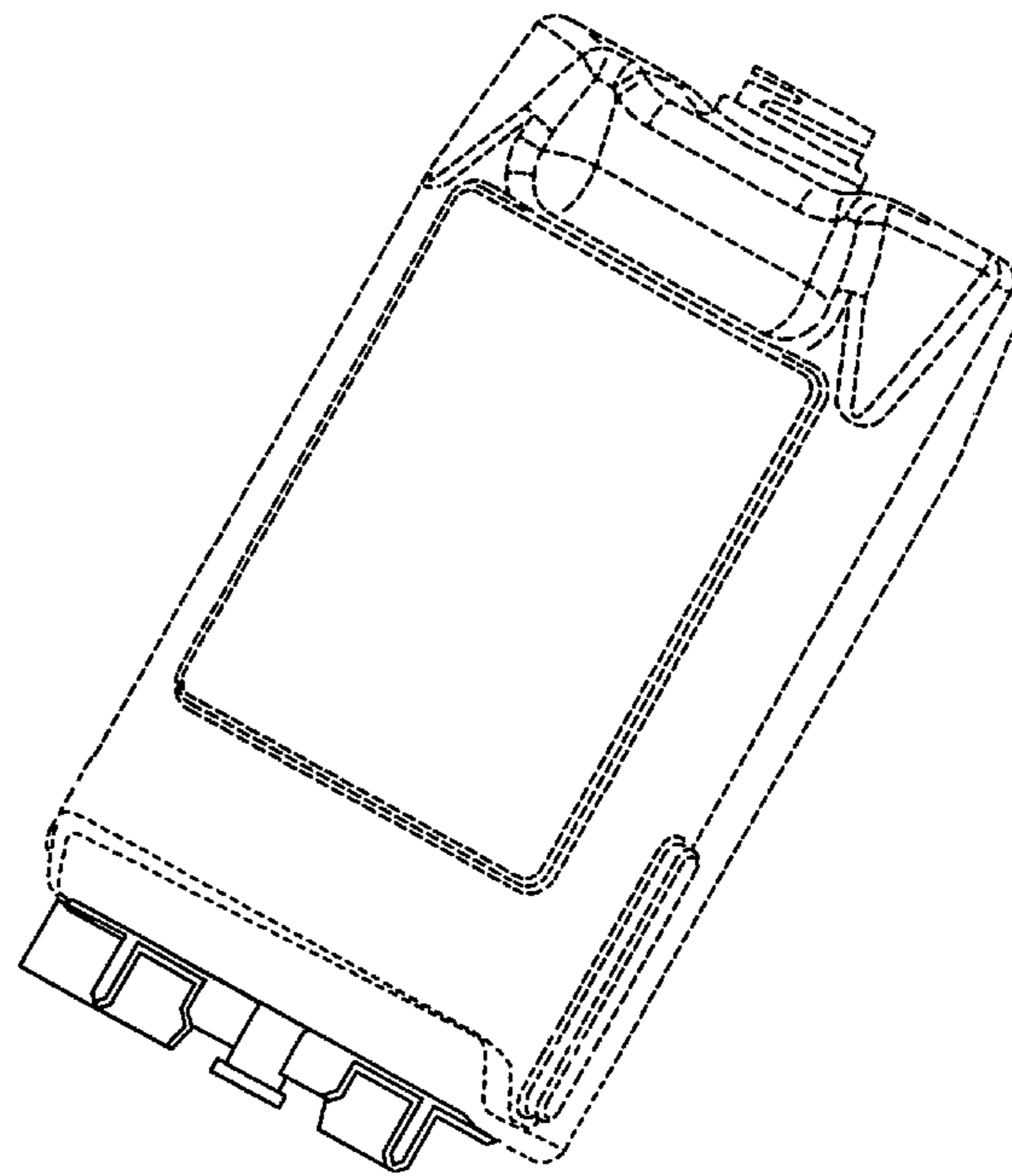
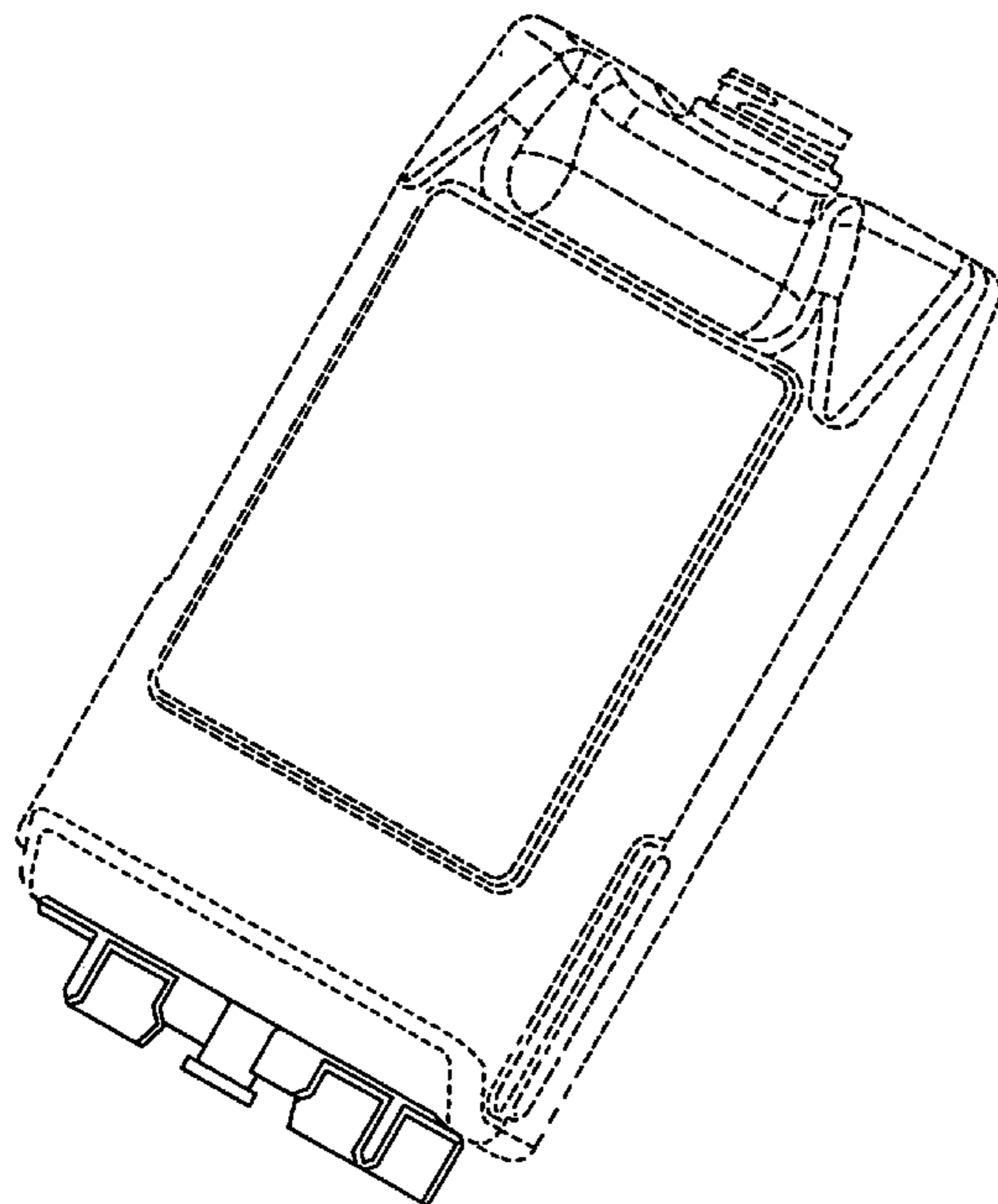
FIG. 5 is a perspective view of a second embodiment of a bottom portion showing the new design;

FIG. 6 is a front elevation thereof, the rear elevation view being identical except for the unclaimed broken lines; and,

FIG. 7 is bottom plan view thereof.

The broken lines showing in the drawings are for environmental purposes only and form no part of the claimed design.

**1 Claim, 7 Drawing Sheets**



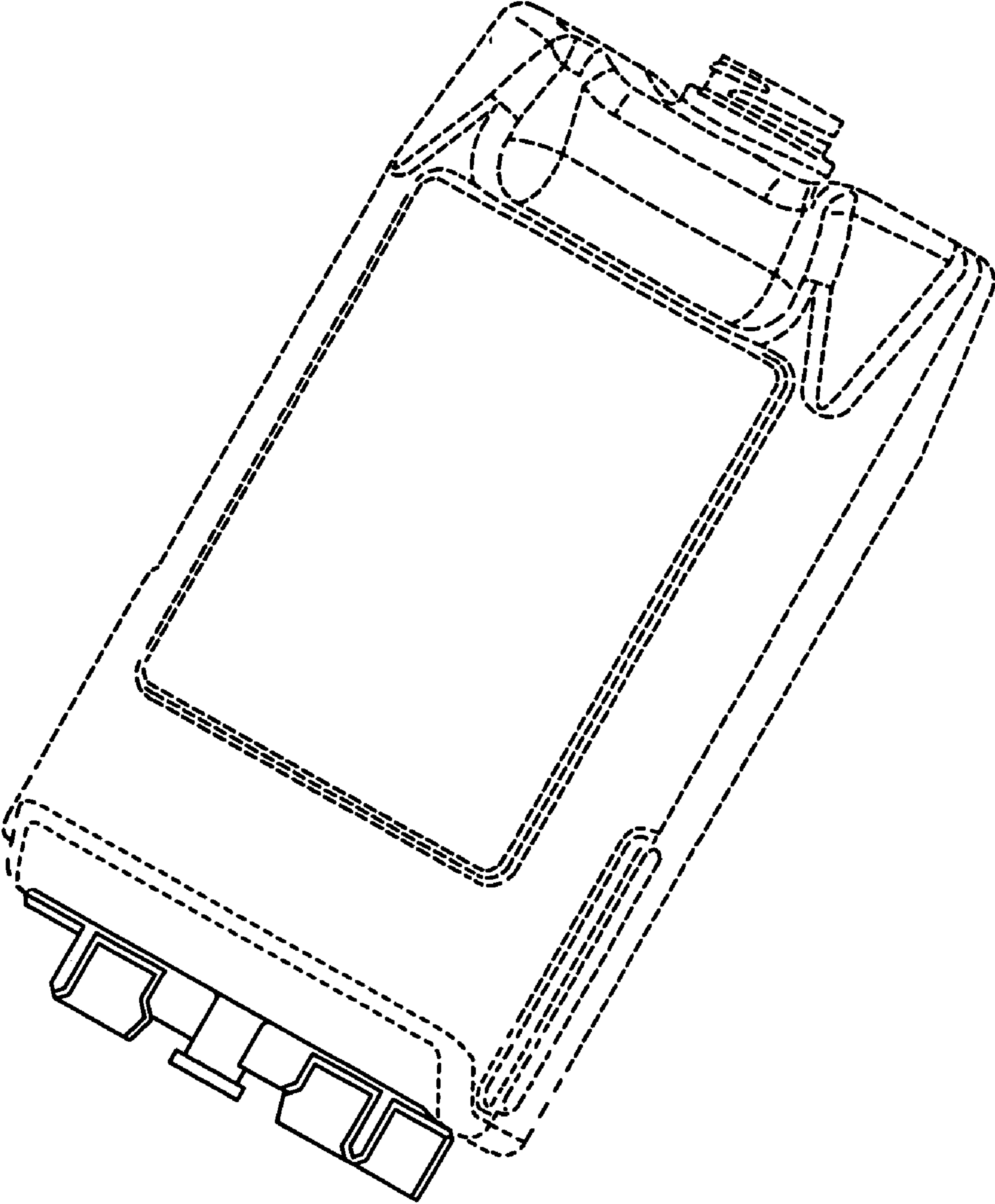


FIG. 1

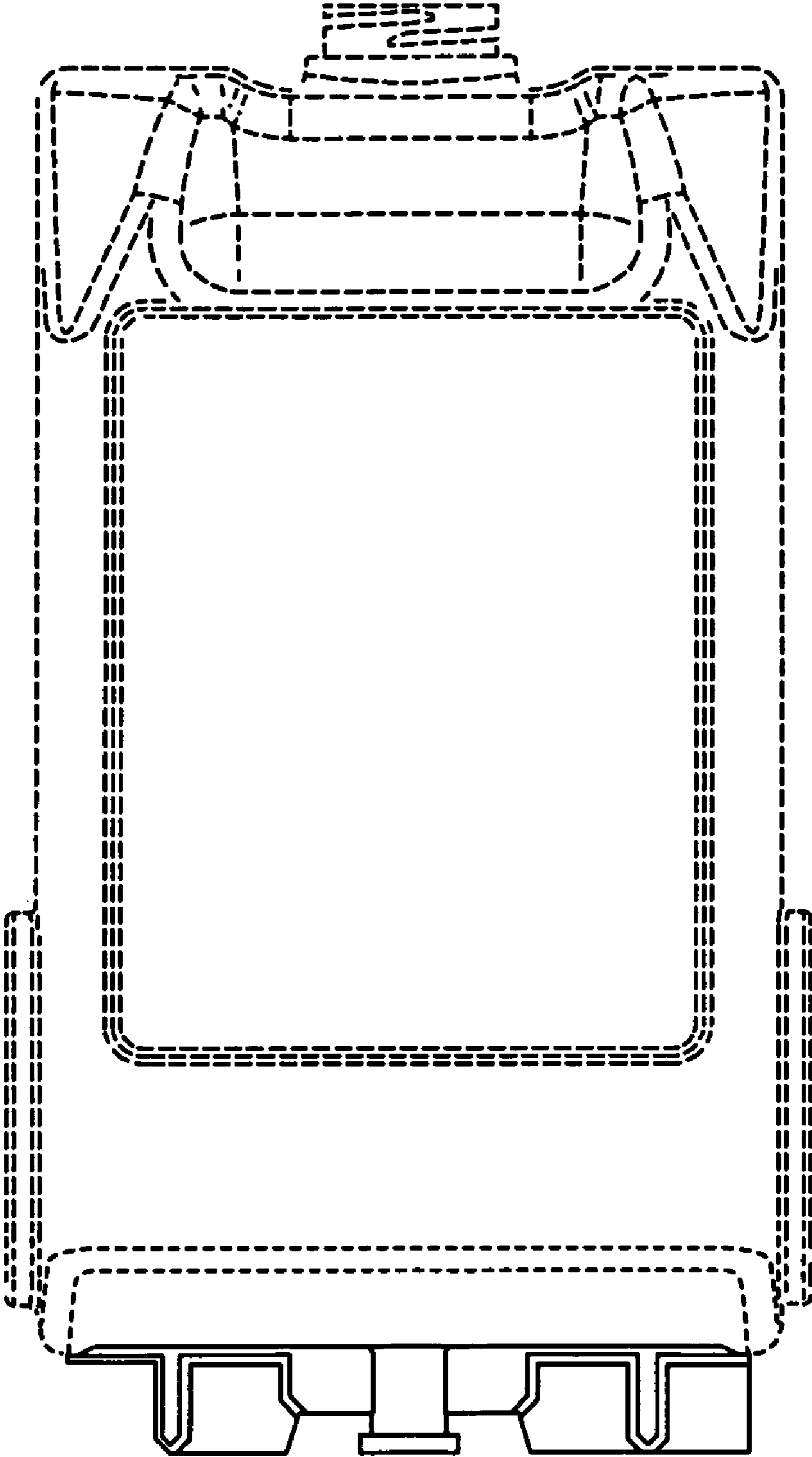


FIG. 2

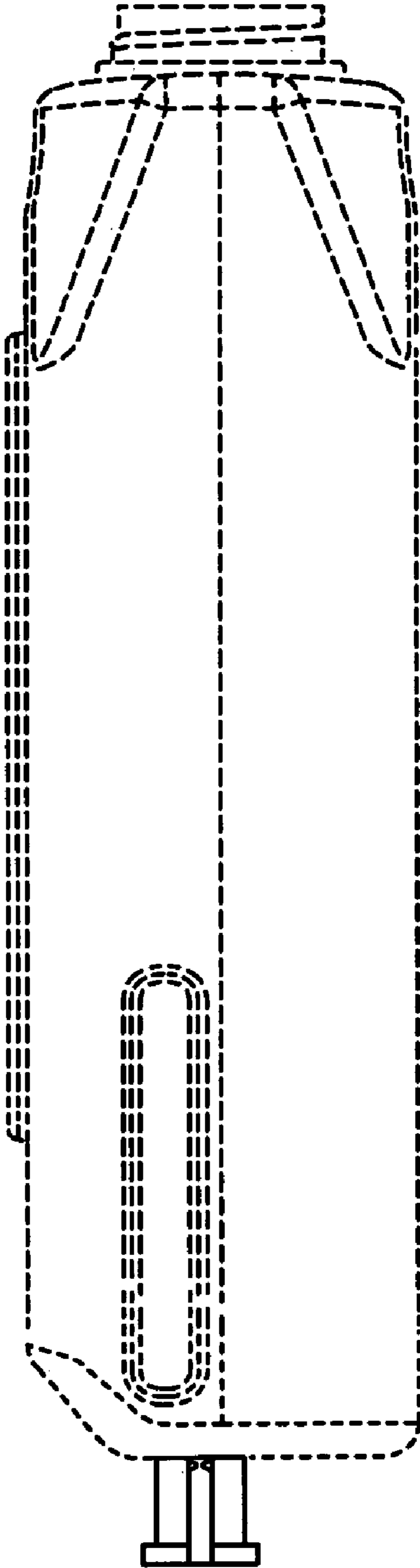


FIG. 3

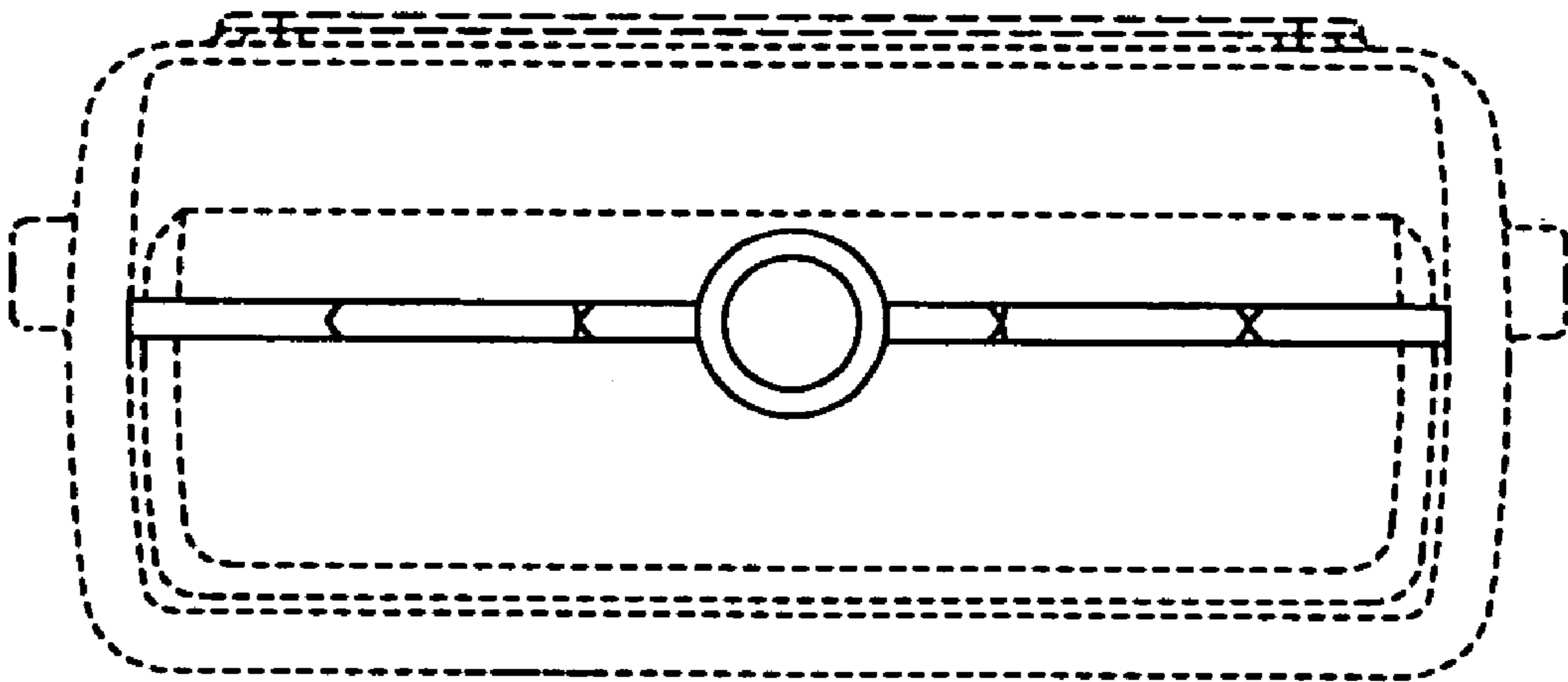


FIG. 4

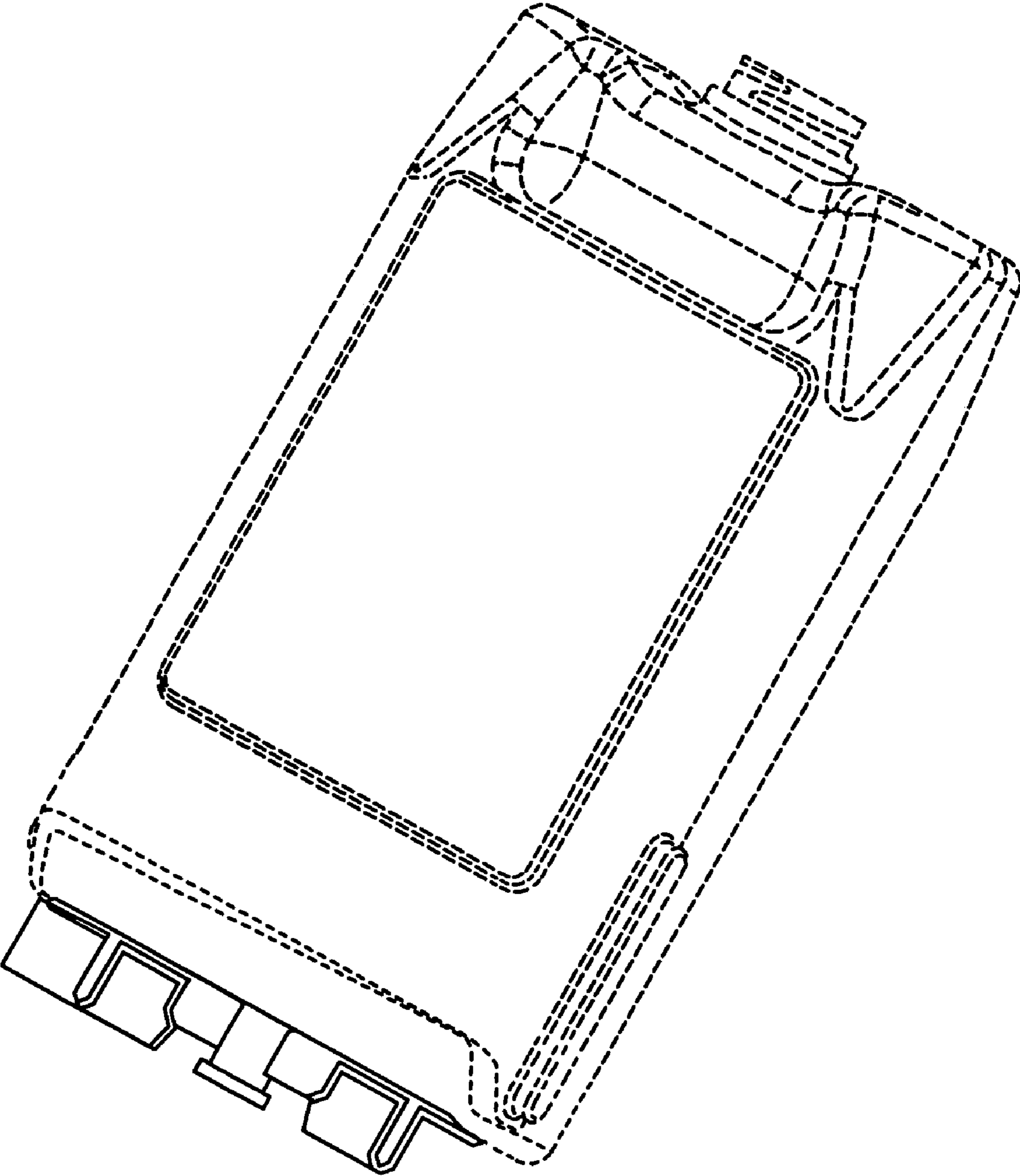


FIG. 5

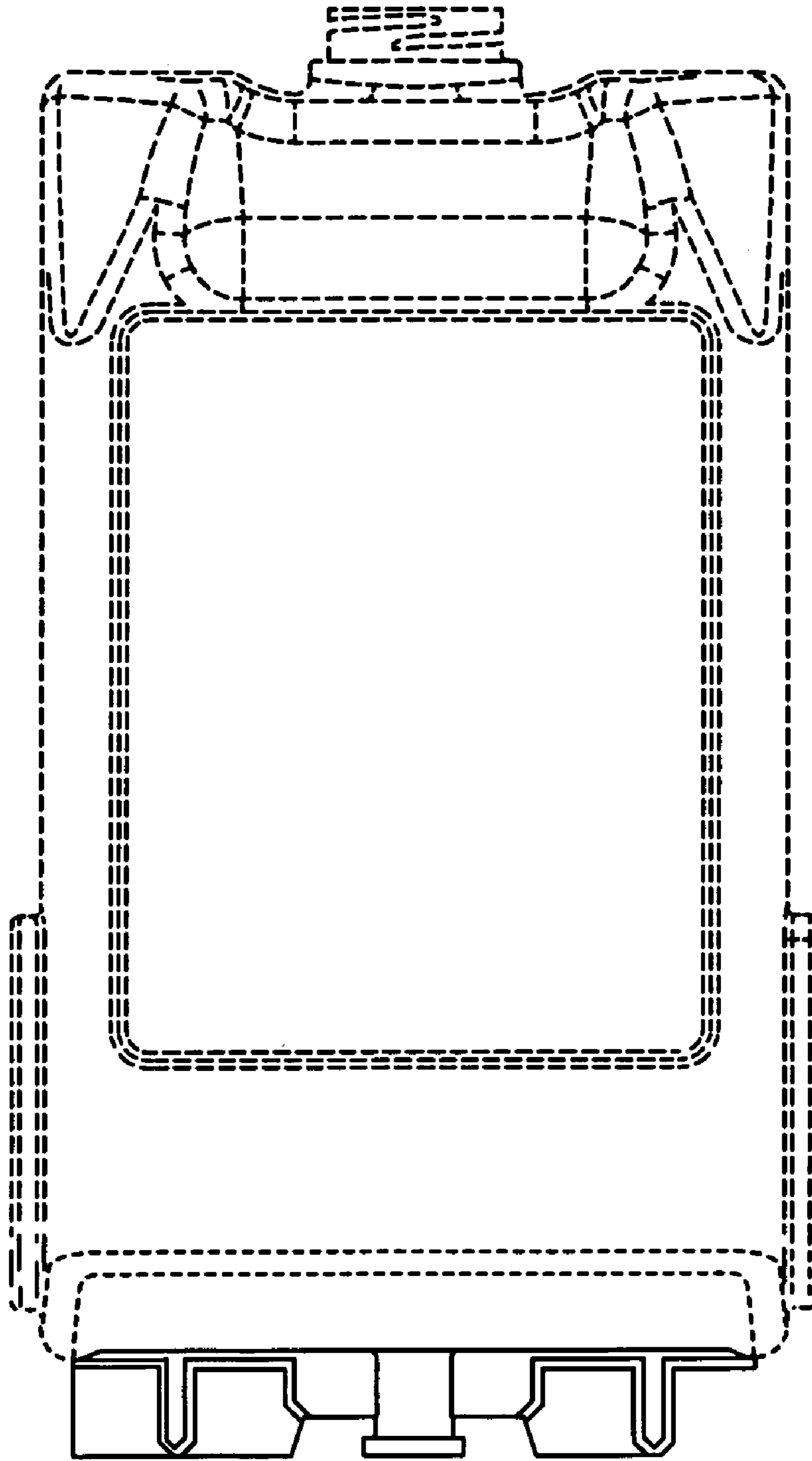


FIG. 6

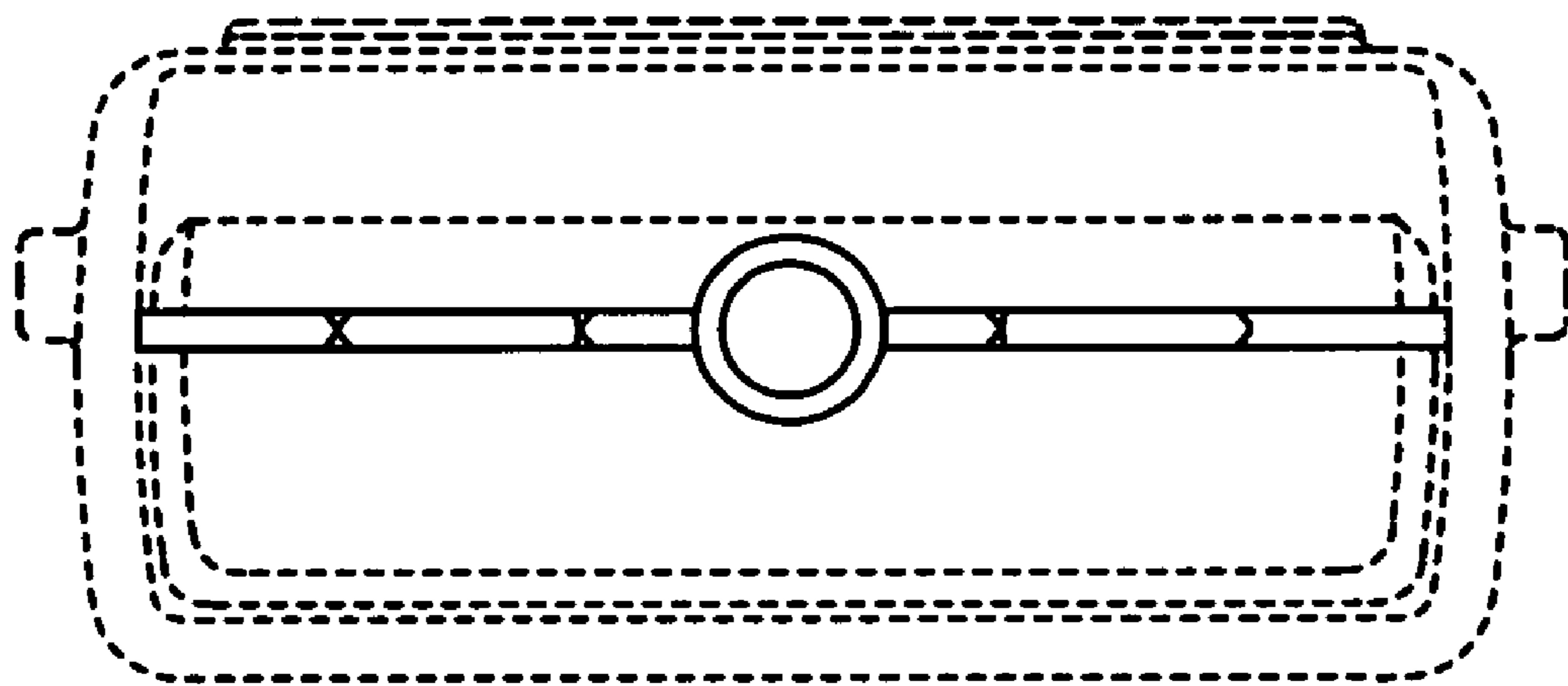


FIG. 7



UNITED STATES PATENT AND TRADEMARK OFFICE  
**CERTIFICATE OF CORRECTION**

PATENT NO. : Des. 566,290 S  
APPLICATION NO. : 29/243428  
DATED : April 8, 2008  
INVENTOR(S) : Parmer et al.

Page 1 of 1

It is certified that error appears in the above-identified patent and that said Letters Patent is hereby corrected as shown below:

On the Title Page in the Inventors item (75); please delete "Jeffery" and insert  
-- Jeffrey --

Signed and Sealed this

Twenty-second Day of September, 2009

A handwritten signature in black ink that reads "David J. Kappos". The signature is written in a cursive, flowing style.

David J. Kappos  
*Director of the United States Patent and Trademark Office*