

US00D566287S

(12) **United States Design Patent**  
**da Costa**

(10) **Patent No.:** **US D566,287 S**

(45) **Date of Patent:** **\*\* Apr. 8, 2008**

(54) **HYDROMASSAGE BATHTUB**

D541,389 S \* 4/2007 DeBoer et al. .... D23/277

(75) Inventor: **Luiz Augusto Indio da Costa**, Rio de Janeiro (BR)

\* cited by examiner

(73) Assignee: **In-House Incorporadora Ltda**, Sao Paulo (BR)

*Primary Examiner*—Charles A. Rademaker

*Assistant Examiner*—Melanie Levy

(74) *Attorney, Agent, or Firm*—Mathews, Shepherd, McKay & Bruneau, P.A.

(\*\*) Term: **14 Years**

(21) Appl. No.: **29/226,830**

(22) Filed: **Apr. 1, 2005**

(57) **CLAIM**

The ornamental design for a hydromassage bathtub, as shown and described.

(30) **Foreign Application Priority Data**

**DESCRIPTION**

Oct. 1, 2004 (BR) ..... DI6403525-5

(51) **LOC (8) Cl.** ..... **24-04**

(52) **U.S. Cl.** ..... **D24/204**

(58) **Field of Classification Search** ..... D24/201,  
D24/203, 204, 205; D23/277; 601/154–158;  
4/541.1–541.6, 547, 578.1, 579

See application file for complete search history.

FIG. 1 is a top perspective view, showing my new design;

FIG. 2 is a side elevational view thereof;

FIG. 3 is a front elevational view thereof;

FIG. 4 is a perspective view thereof;

FIG. 5 is a top perspective view of an alternate embodiment of the present invention;

FIG. 6 is a side elevational view of the view shown in FIG. 5;

FIG. 7 is a front elevational view of the view shown in FIG. 5; and,

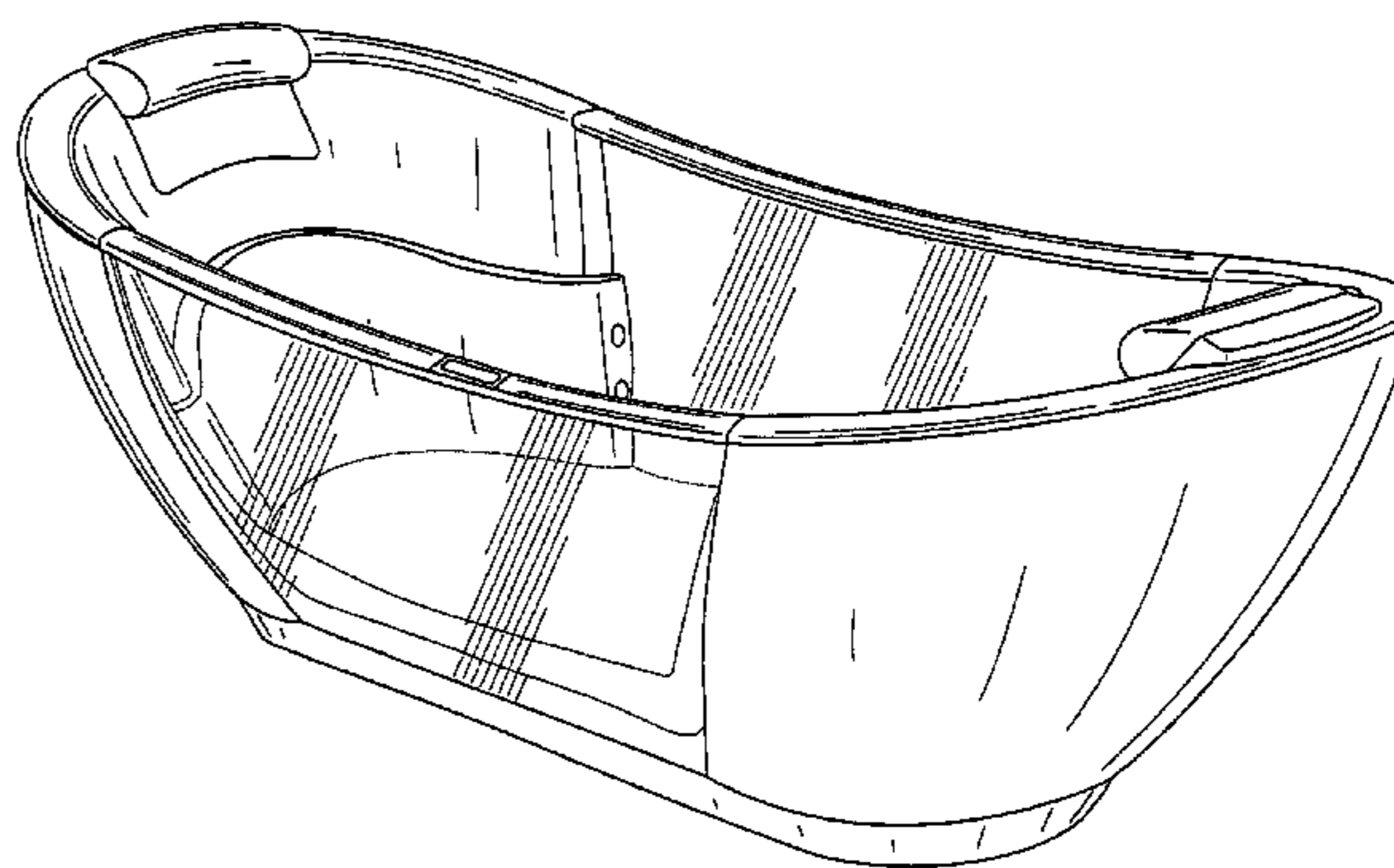
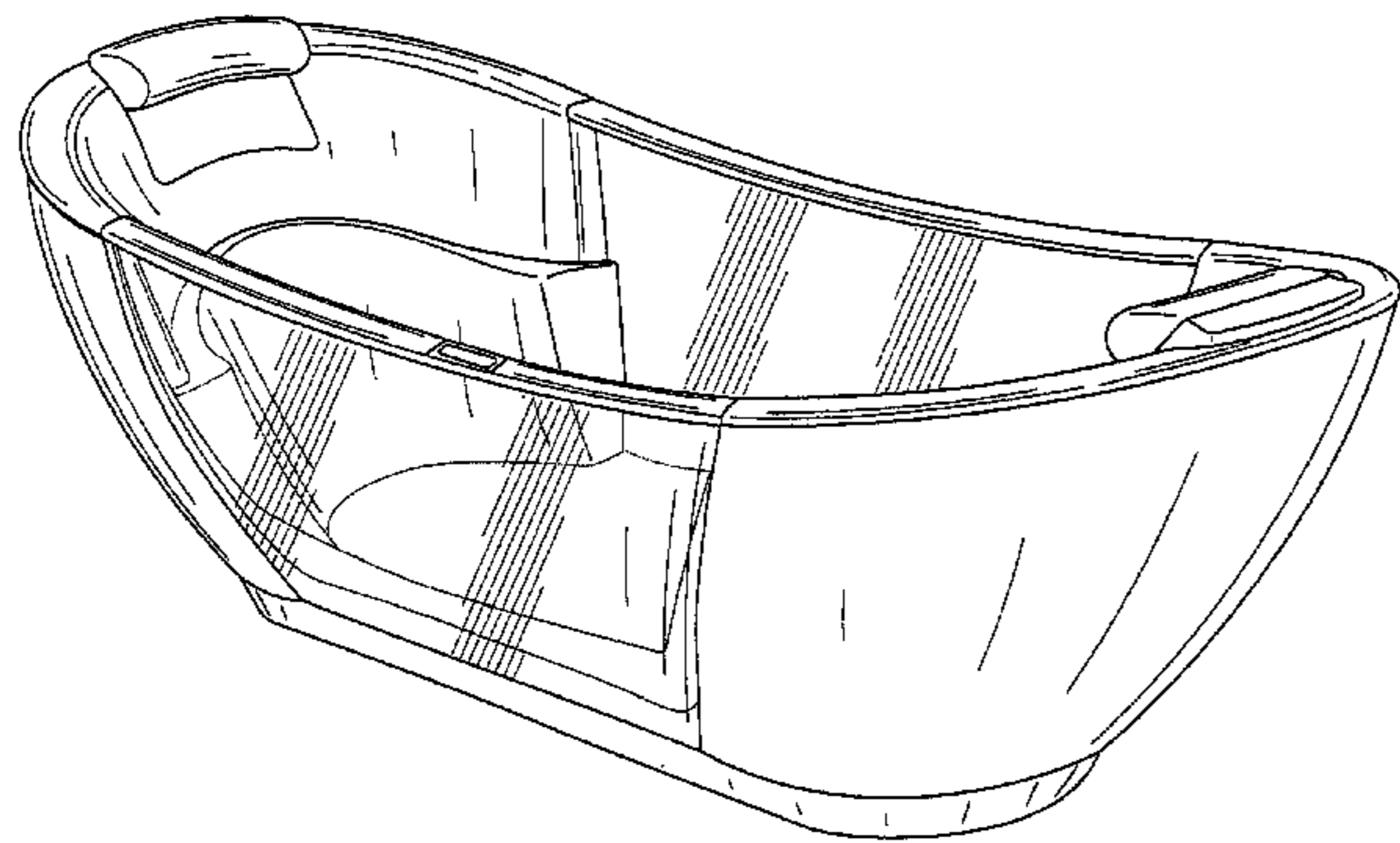
FIG. 8 is a perspective view of the view shown in FIG. 5.

(56) **References Cited**

**U.S. PATENT DOCUMENTS**

- D377,970 S \* 2/1997 Dannenberg ..... D23/277
- D434,836 S \* 12/2000 Salmon ..... D23/277
- D443,045 S \* 5/2001 Salmon ..... D23/277
- D509,886 S \* 9/2005 Lucchese ..... D23/277

**1 Claim, 8 Drawing Sheets**



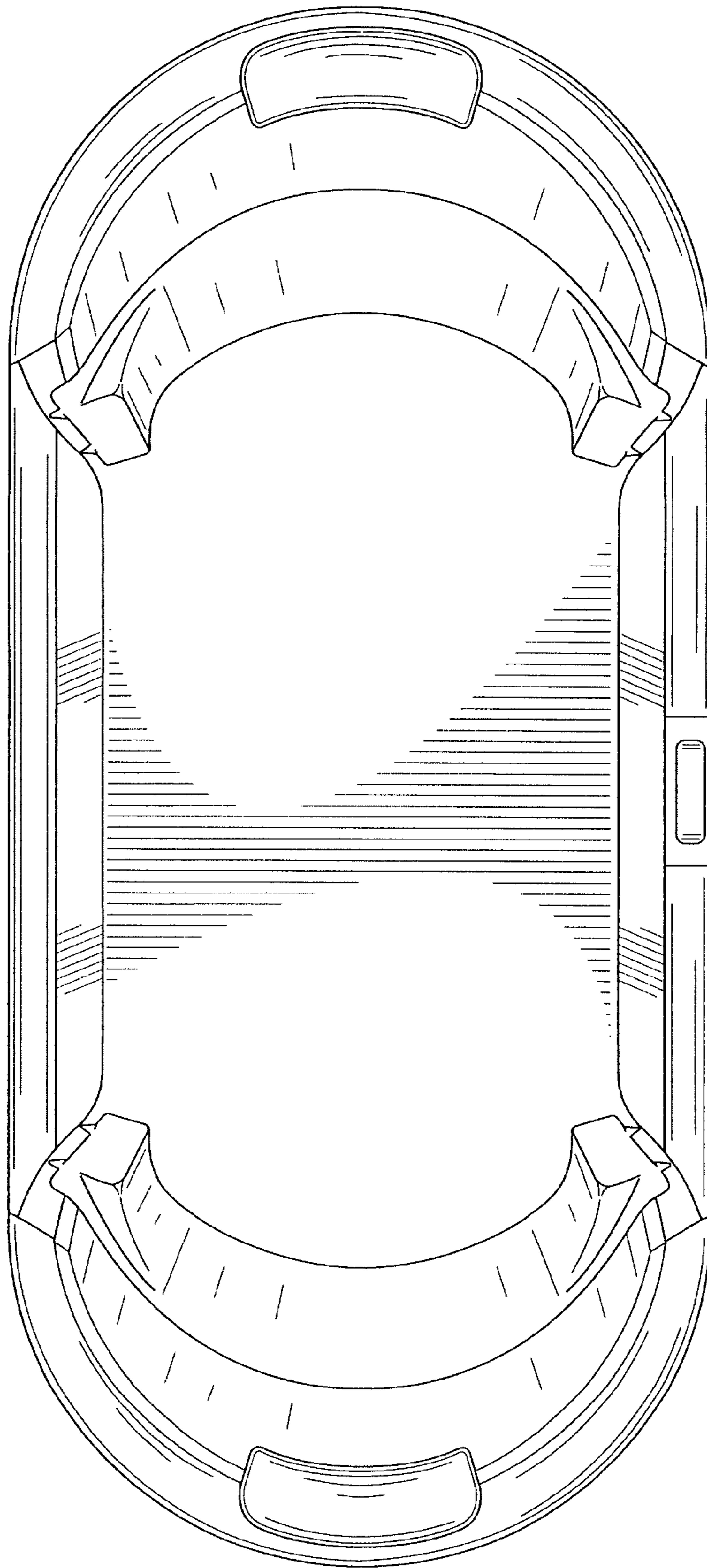


FIG. 1

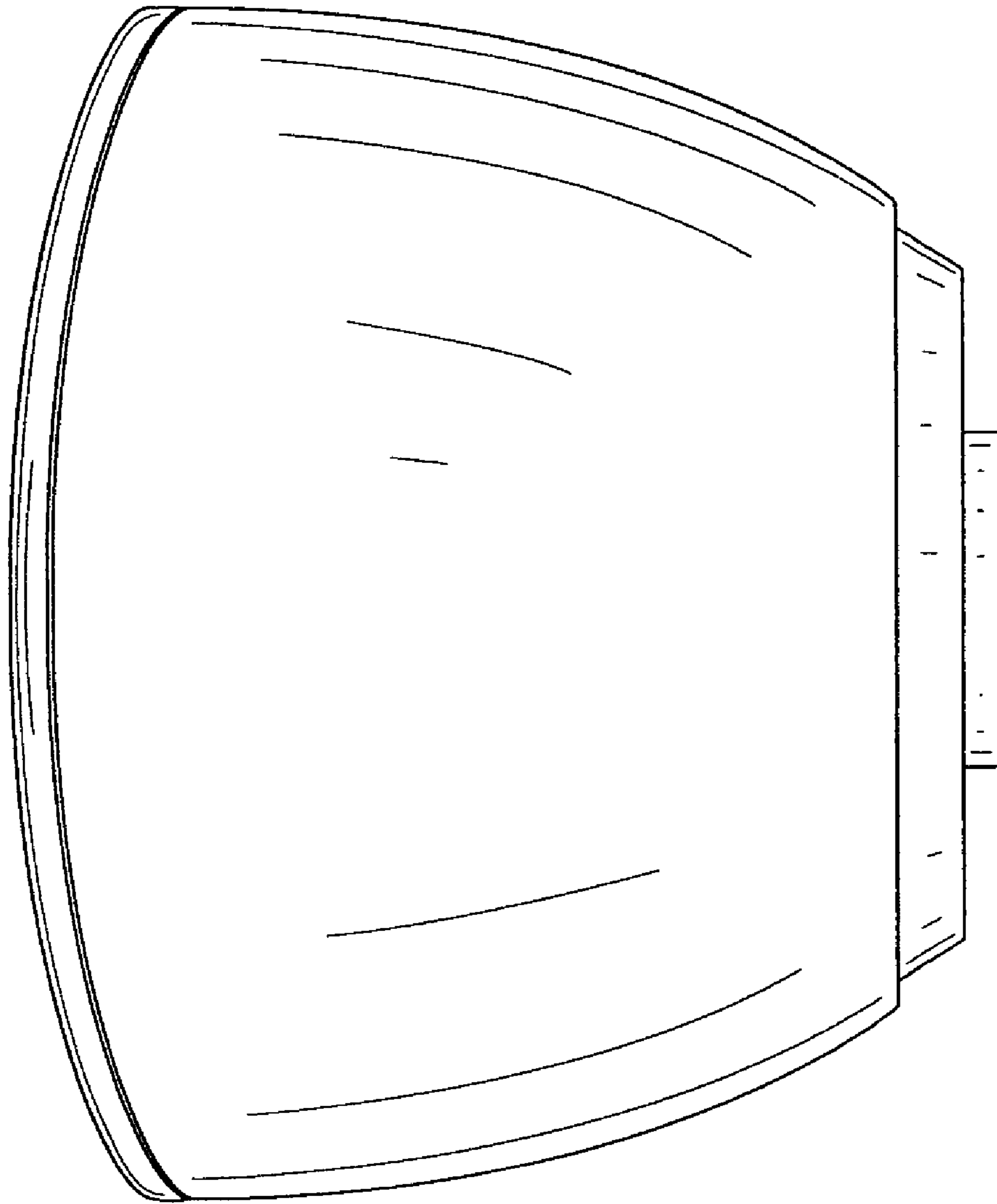


FIG. 2

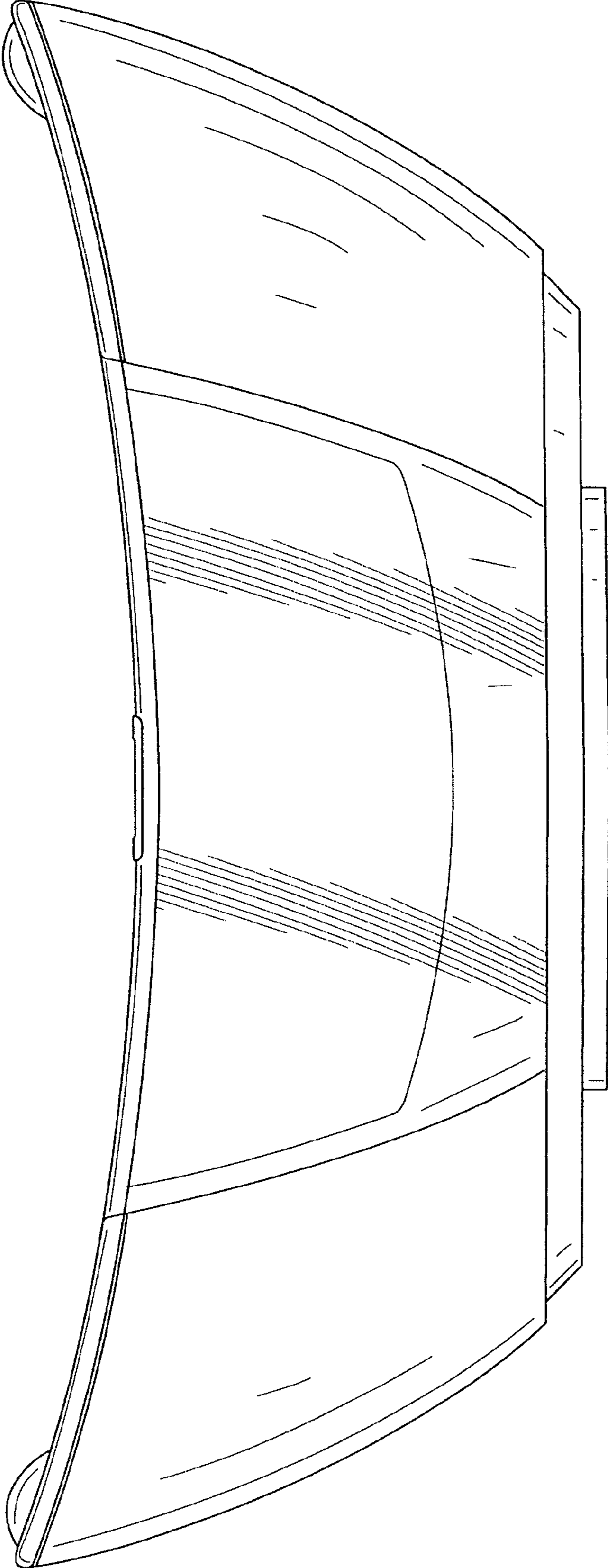


FIG. 3

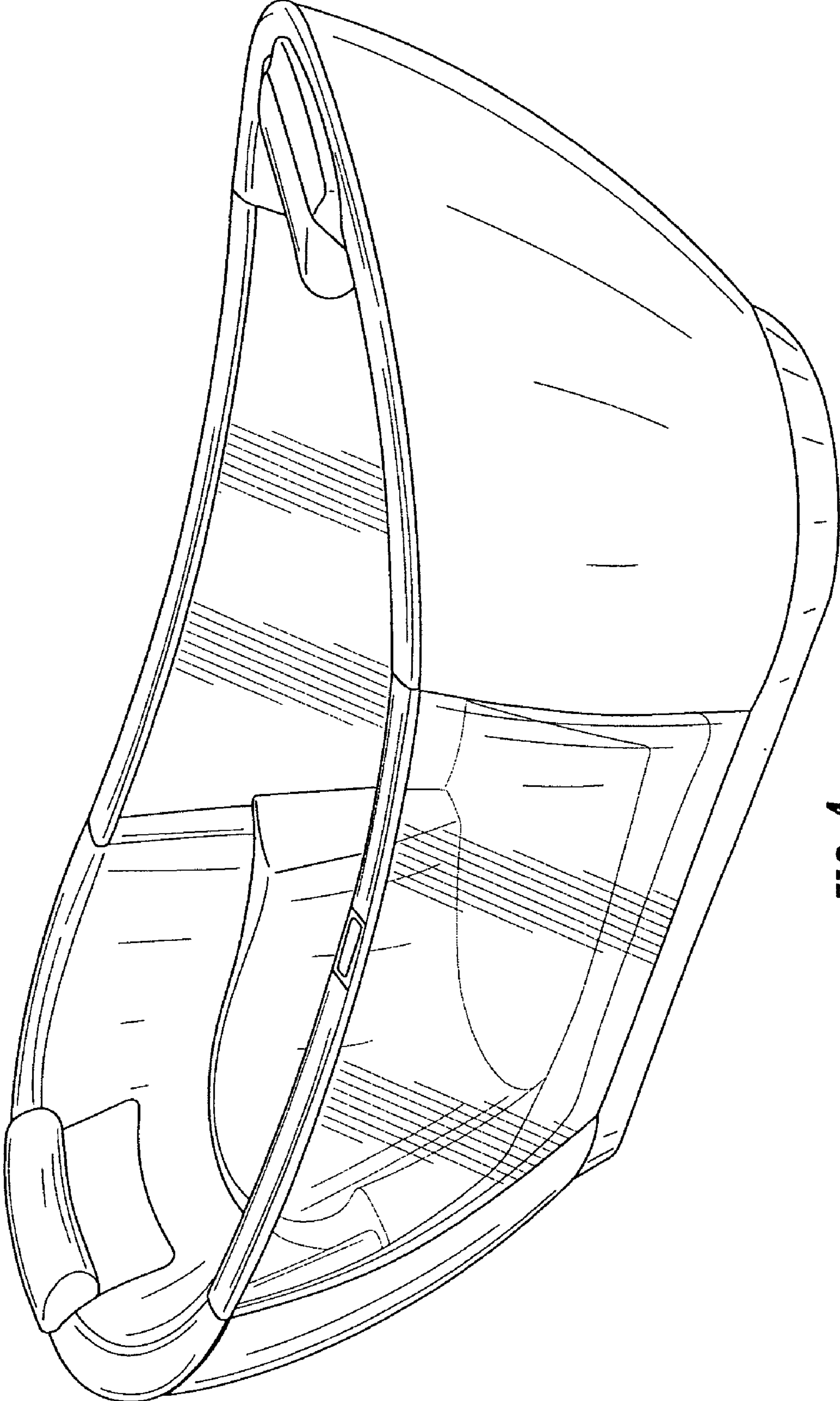


FIG. 4

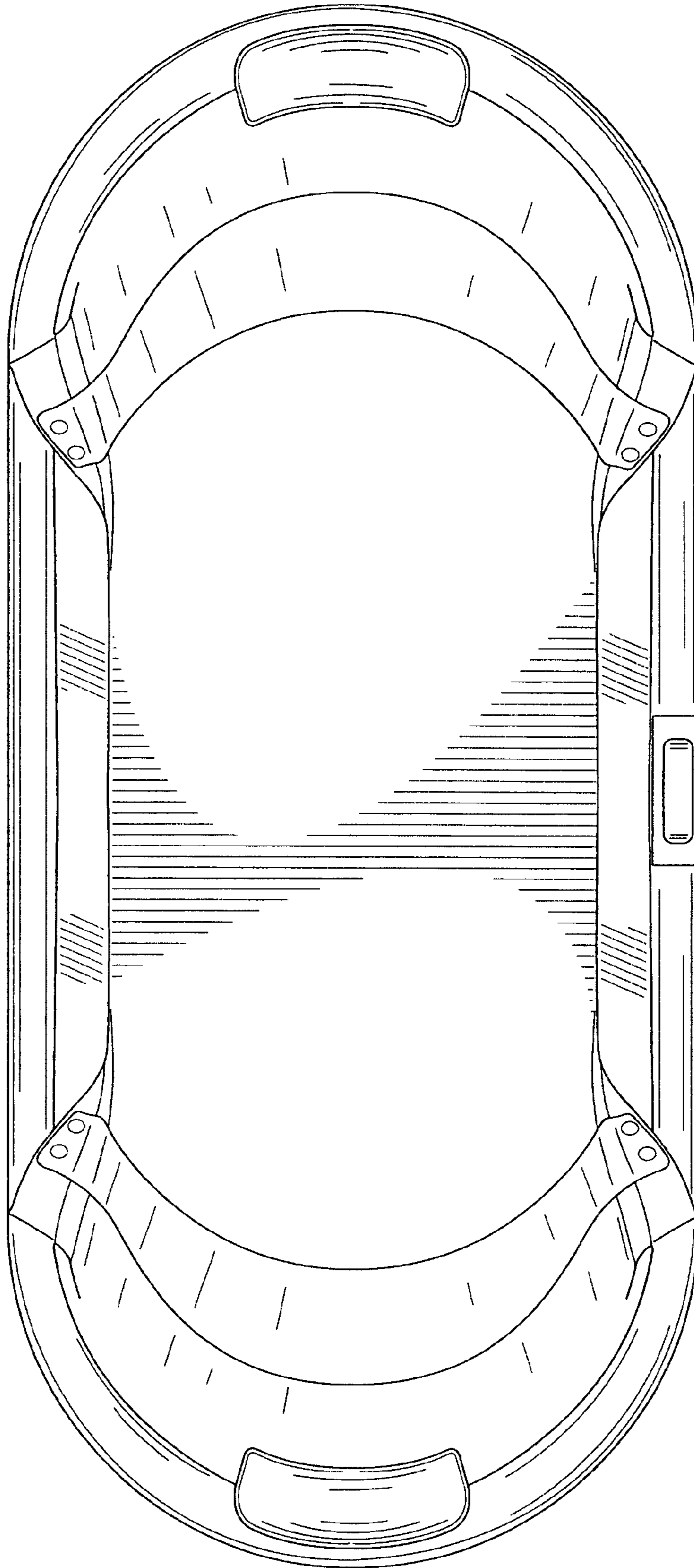
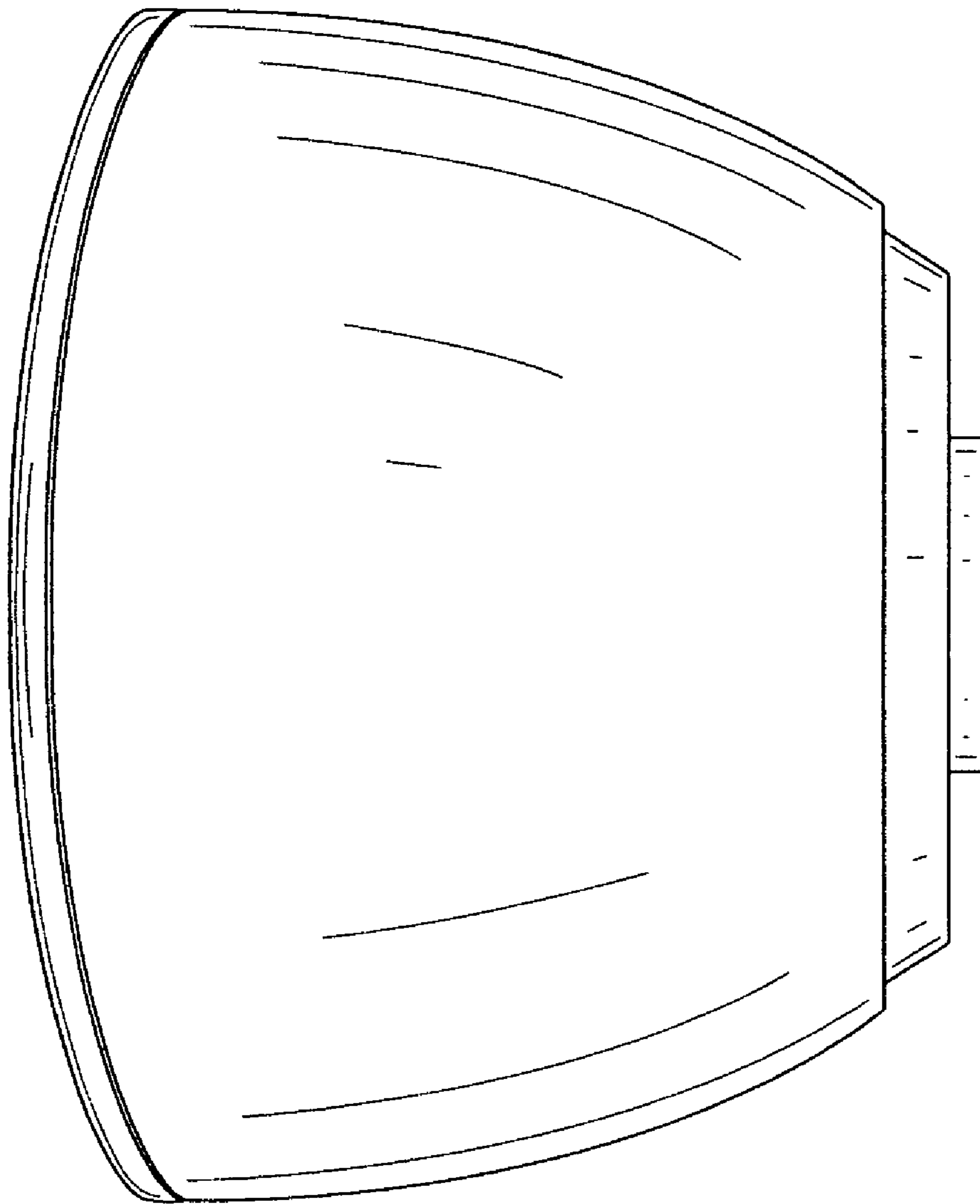


FIG. 5



**FIG. 6**

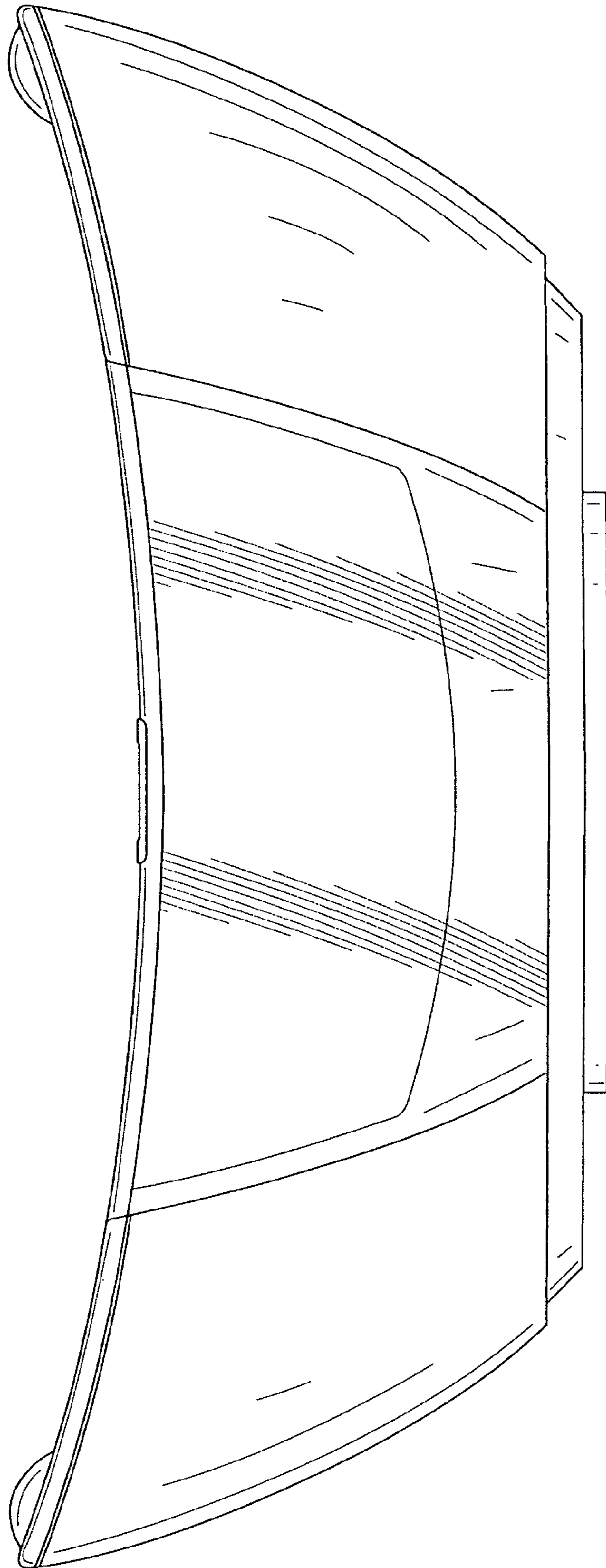


FIG. 7



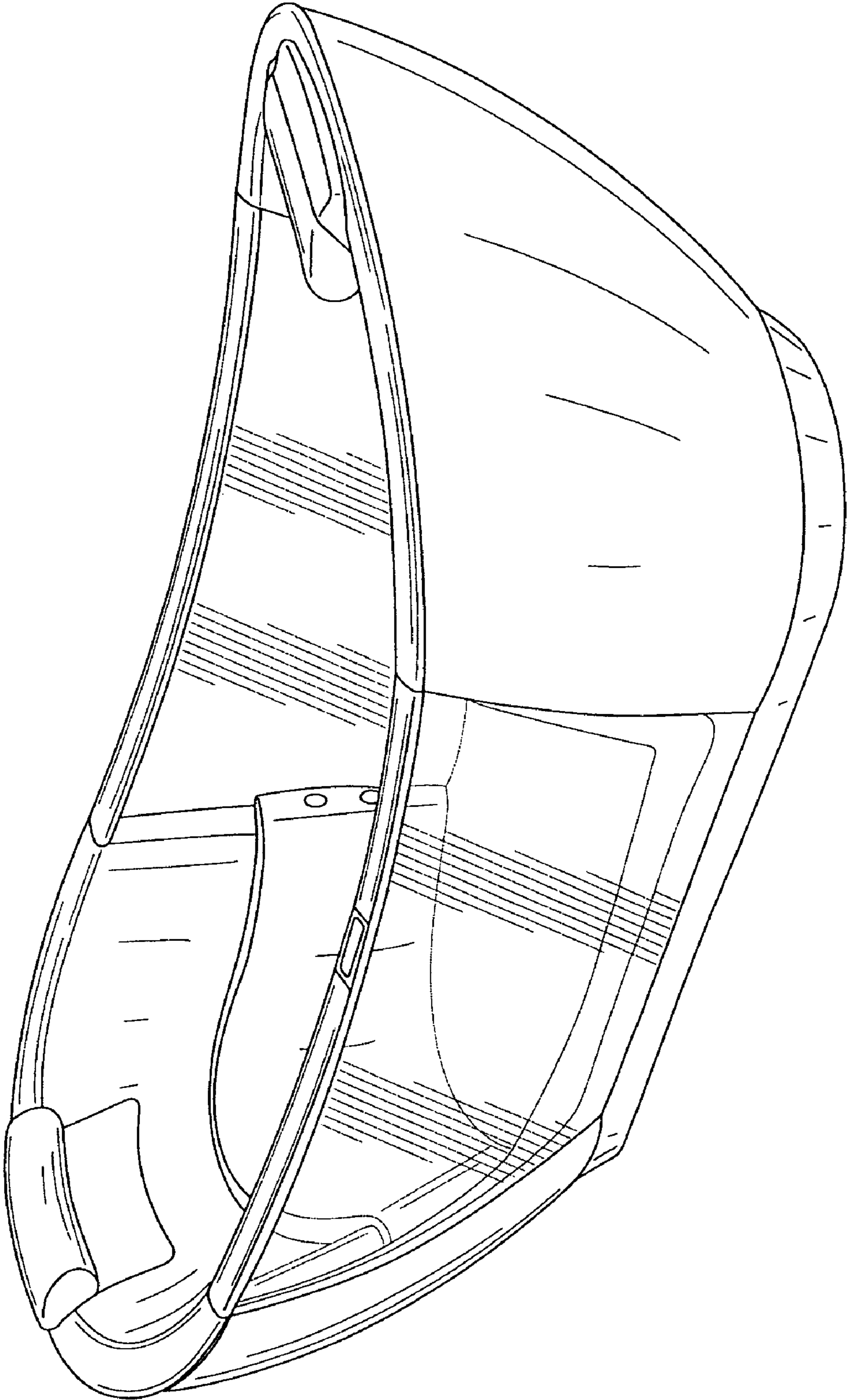


FIG. 8