



US00D566284S

(12) **United States Design Patent**  
**Kitayama et al.**

(10) **Patent No.:** **US D566,284 S**

(45) **Date of Patent:** **\*\* Apr. 8, 2008**

(54) **CONNECTOR FOR AN ULTRASONIC PROBE**

D416,817 S \* 11/1999 Lin ..... D10/57  
D457,443 S \* 5/2002 Riester-Freudenmann ... D10/57

(75) Inventors: **Masahiko Kitayama**, Mitaka (JP);  
**Hideki Kosaku**, Nasushiobara (JP)

FOREIGN PATENT DOCUMENTS

(73) Assignees: **Kabushiki Kaisha Toshiba** (JP);  
**Toshiba Medical Systems Corporation**  
(JP)

JP 1124772 10/2001

(\*\*) Term: **14 Years**

\* cited by examiner

(21) Appl. No.: **29/277,627**

*Primary Examiner*—Antoine D. Davis  
(74) *Attorney, Agent, or Firm*—Banner & Witcoff, Ltd.

(22) Filed: **Mar. 5, 2007**

(57) **CLAIM**

(30) **Foreign Application Priority Data**

The ornamental design for a connector for an ultrasonic probe, as shown and described.

Nov. 9, 2006 (JP) ..... 2006-030768

**DESCRIPTION**

(51) **LOC (8) Cl.** ..... **24-01**

FIG. 1 is a front, top and left side perspective view of a connector for an ultrasonic probe, showing our new design; FIG. 2 is a rear, top and right side perspective view thereof; FIG. 3 is a front elevational view thereof; FIG. 4 is a rear elevational view thereof; FIG. 5 is a top plan view thereof; FIG. 6 is a bottom plan view thereof; FIG. 7 is a right side elevational view thereof; and, FIG. 8 is a left side elevational view thereof.

(52) **U.S. Cl.** ..... **D24/186; D10/60**

(58) **Field of Classification Search** ..... D10/57,  
D10/60; D24/186-187; 310/17, 334; 600/439,  
600/443, 446, 459, 461

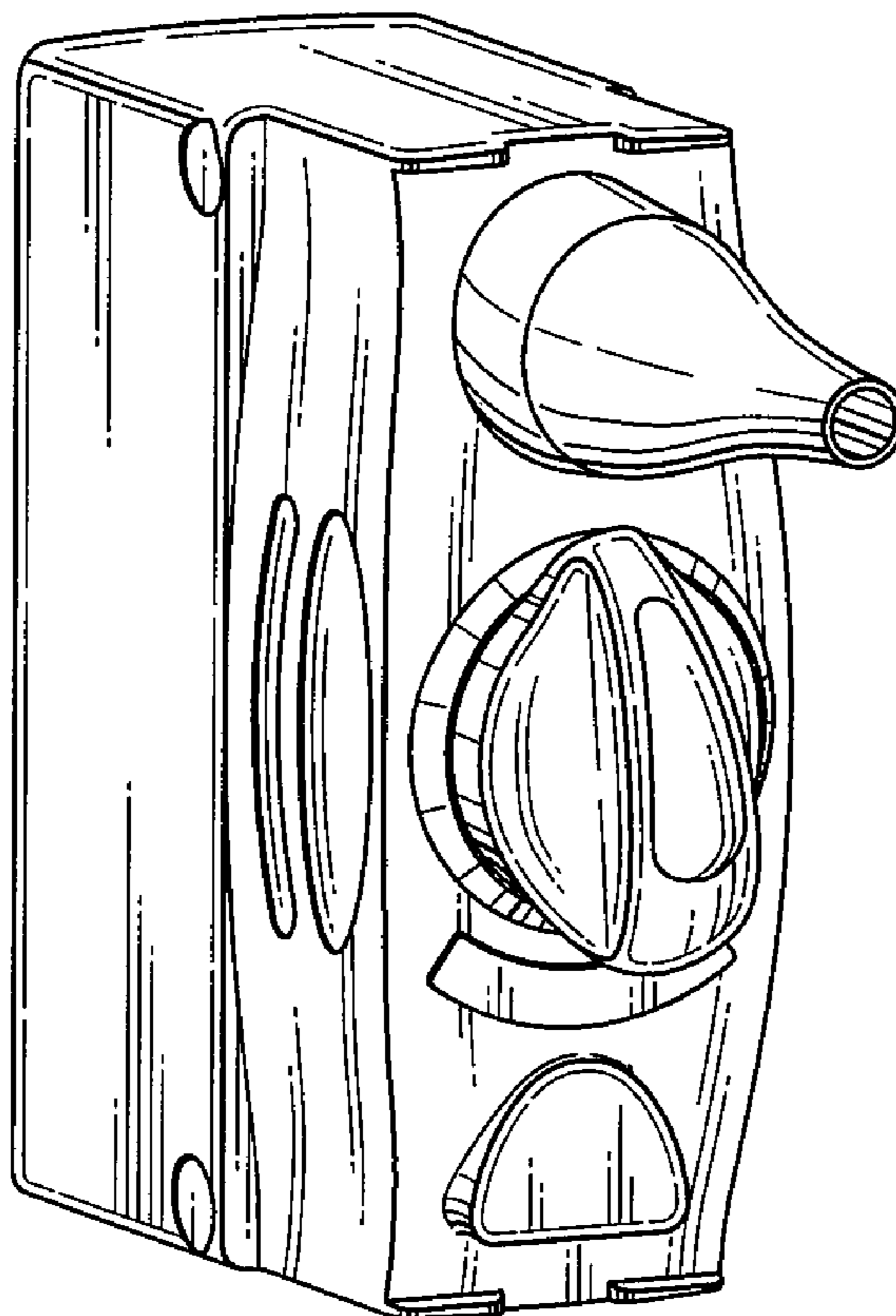
See application file for complete search history.

(56) **References Cited**

U.S. PATENT DOCUMENTS

4,635,644 A \* 1/1987 Yagata ..... 600/464  
D327,740 S 7/1992 Arioka et al.

**1 Claim, 3 Drawing Sheets**



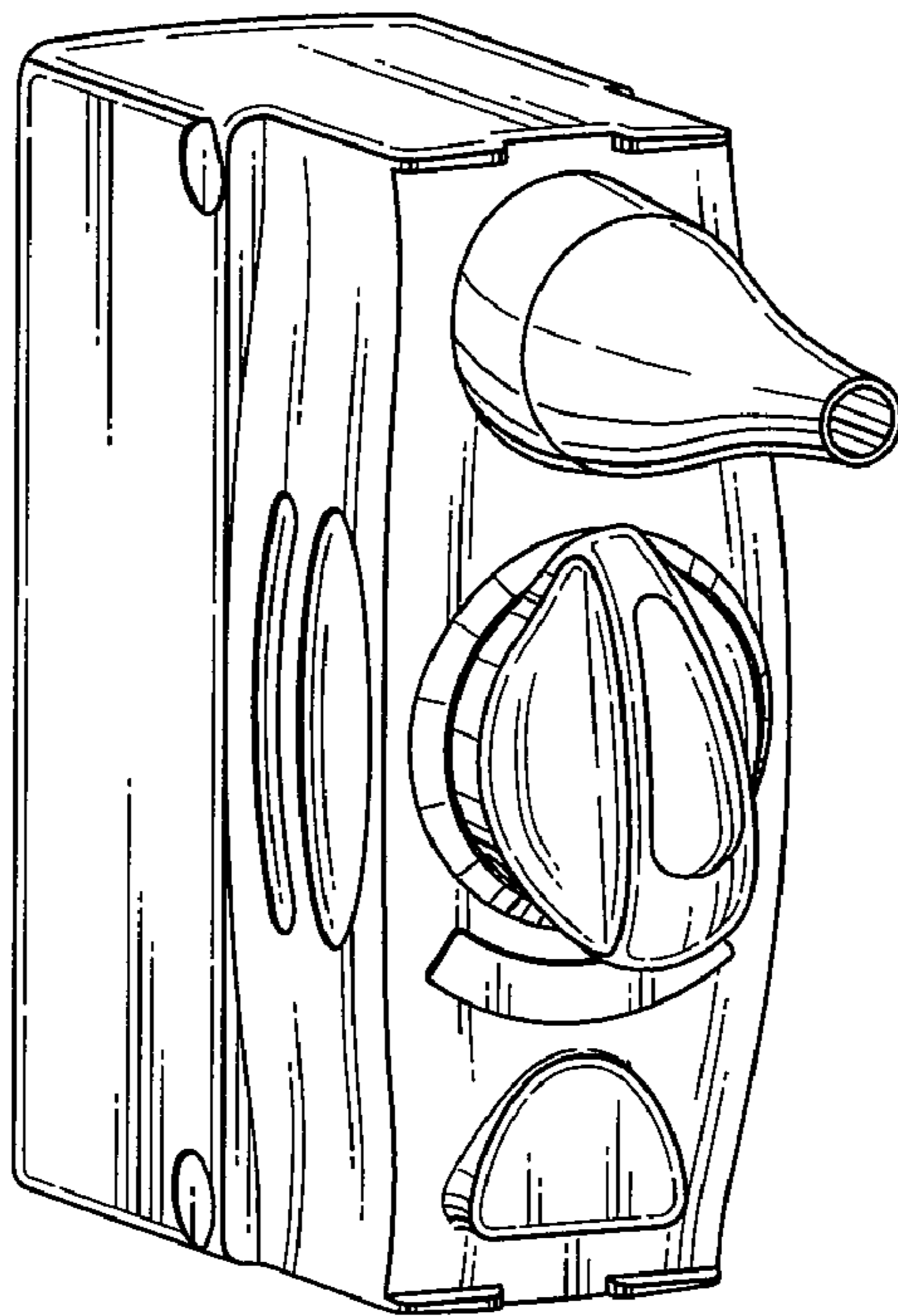


FIG. 1

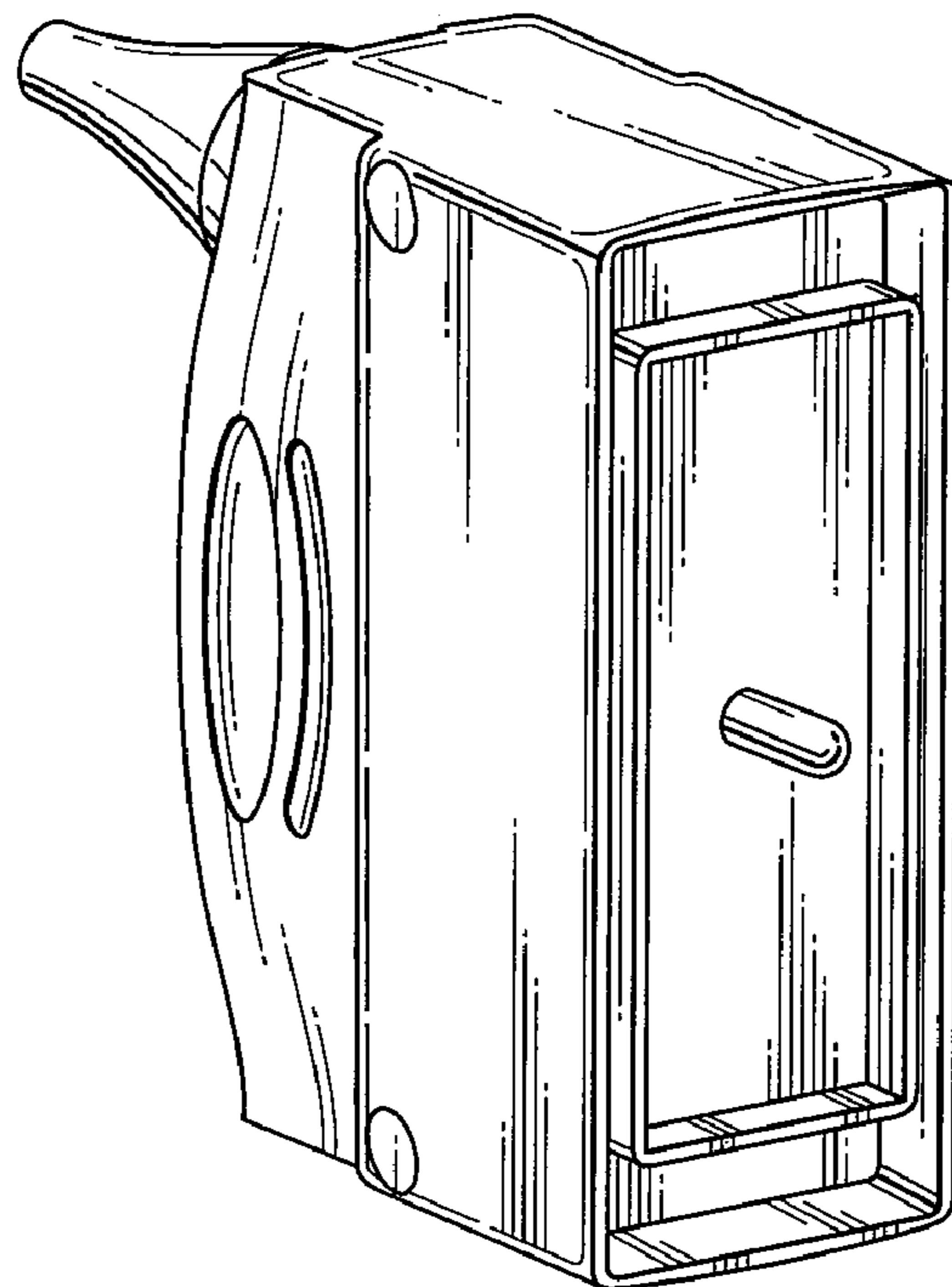


FIG. 2

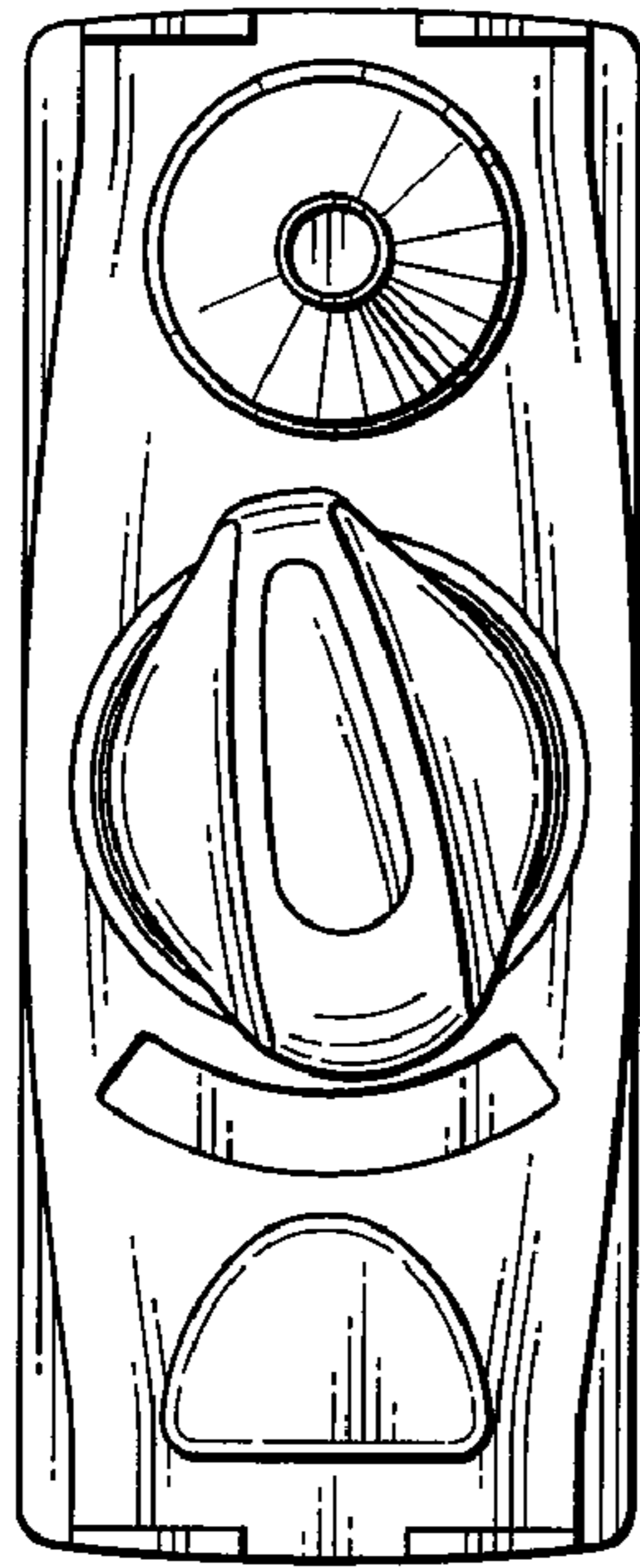


FIG.3

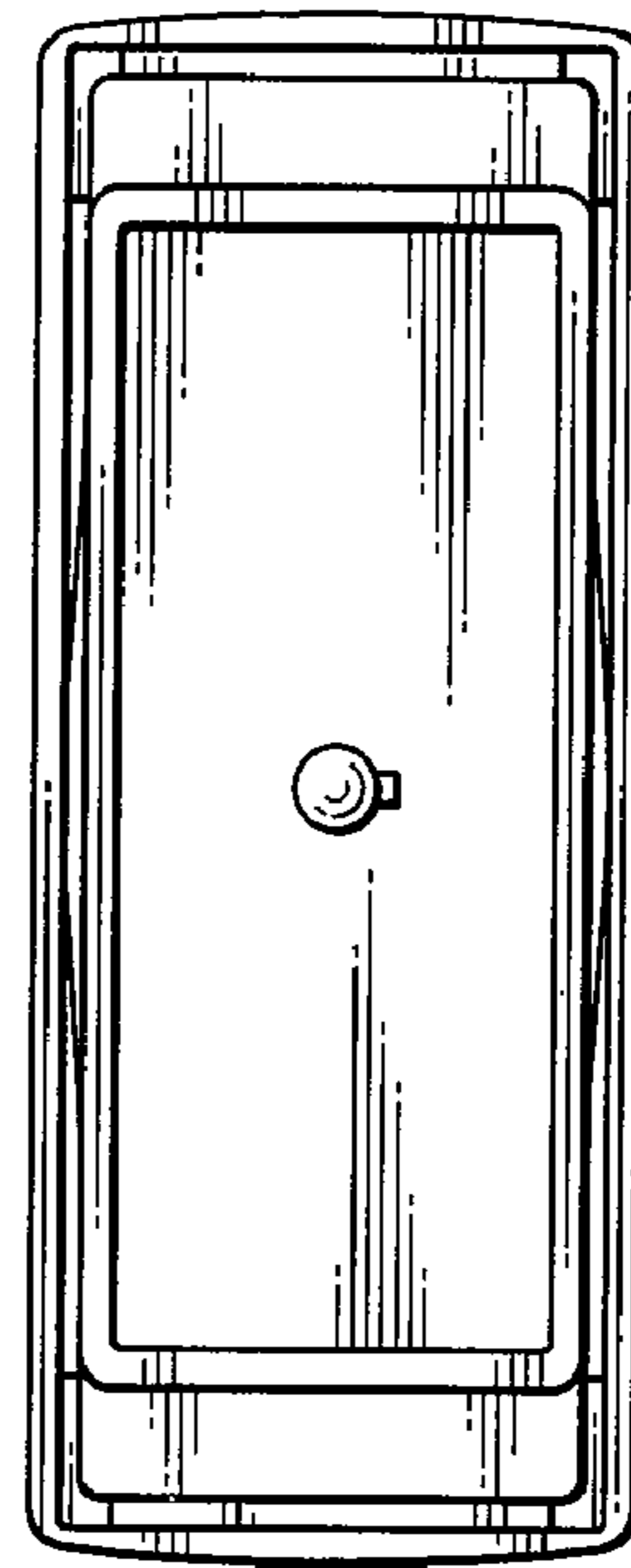


FIG.4

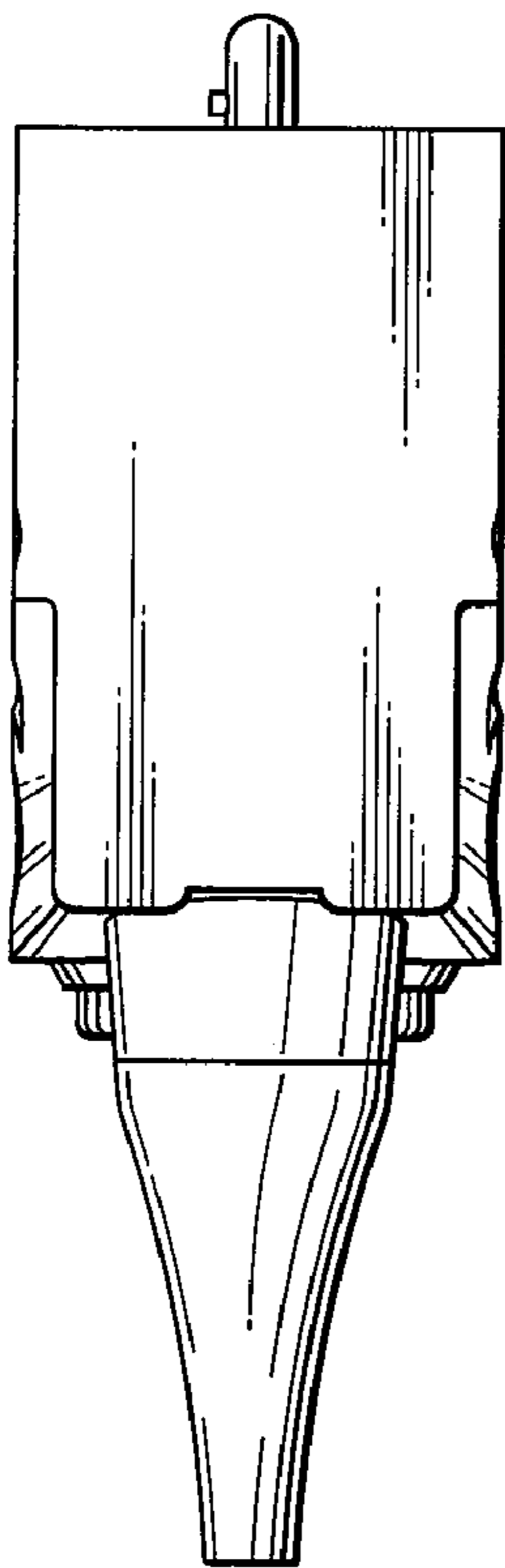


FIG.5

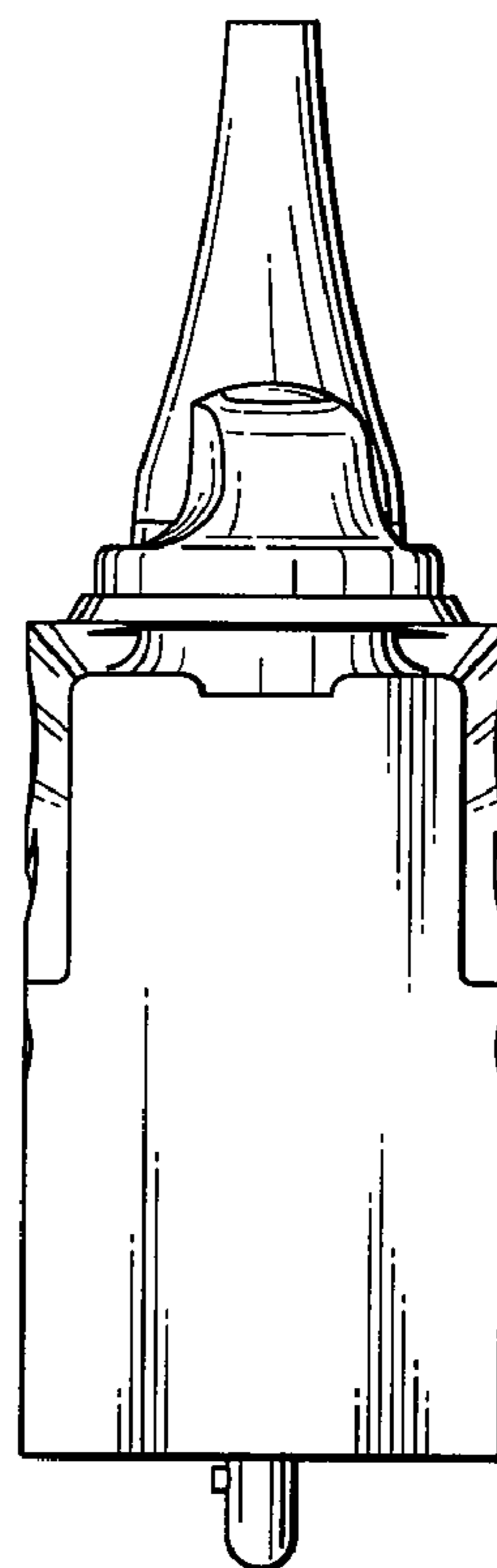


FIG.6

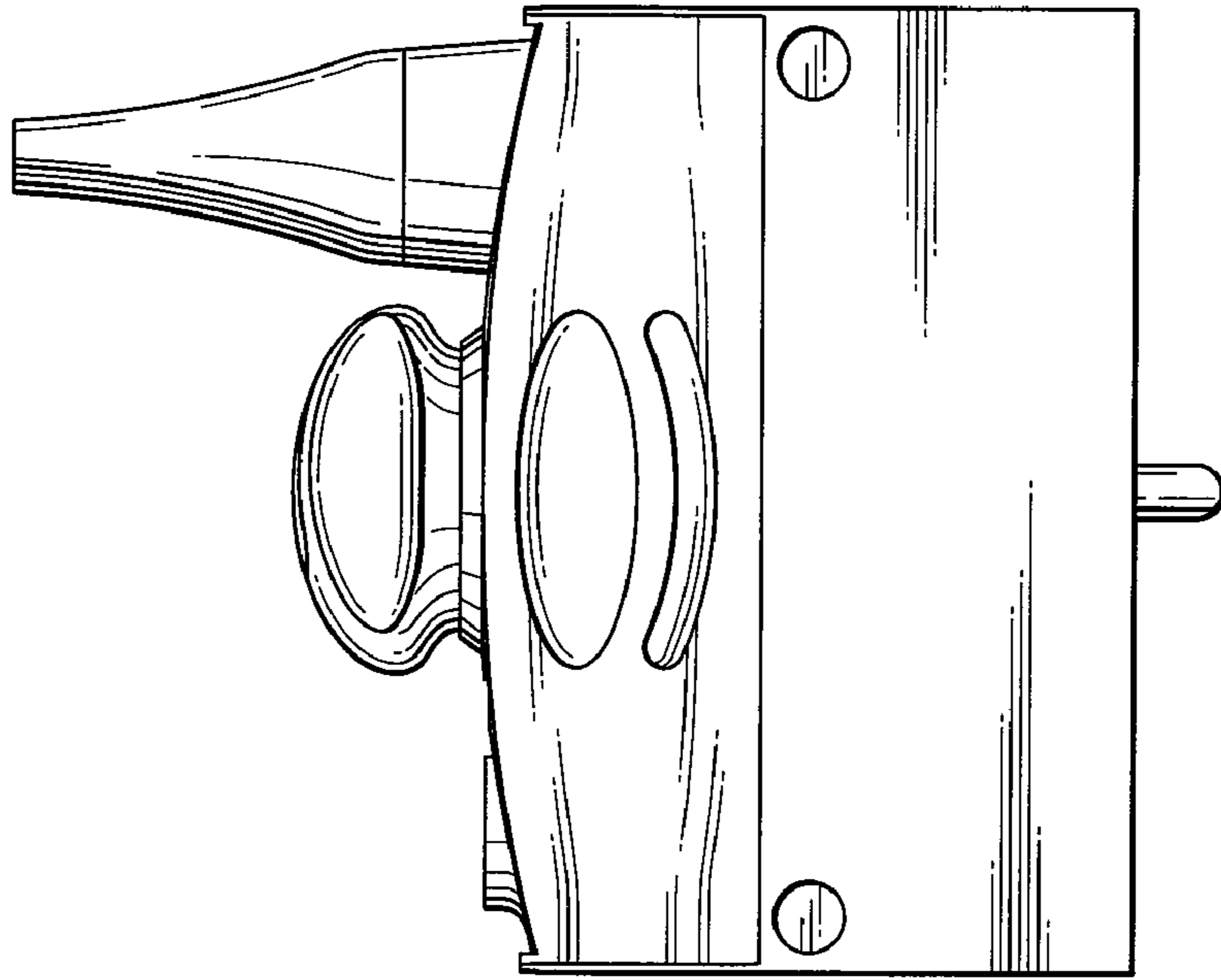


FIG. 7

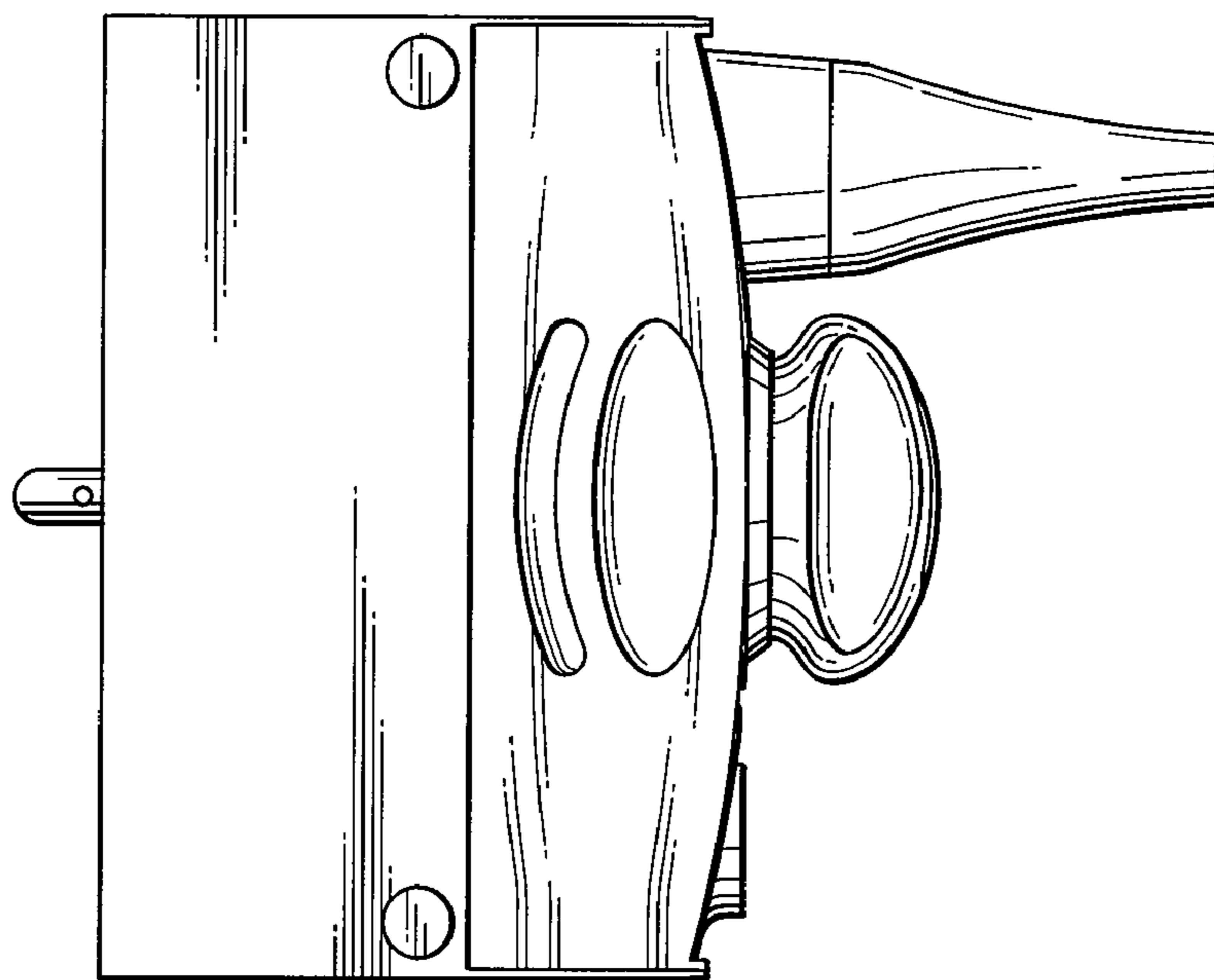


FIG. 8