



US00D566283S

(12) **United States Design Patent**
Brafford et al.

(10) **Patent No.:** **US D566,283 S**
(45) **Date of Patent:** **** Apr. 8, 2008**

(54) **VEIN IMAGING APPARATUS**

(75) Inventors: **Jonathan Micah Brafford**, Memphis, TN (US); **Gunnar Lovhoiden**, Bartlett, TN (US); **Mark Darty**, Collierville, TN (US); **Michael Paloian**, Cold Springs Harbor, NY (US); **Anthony Orchard**, Wantagh, NY (US); **Matthew Ferrarin**, Little Neck, NY (US)

(73) Assignee: **Luminetx Technologies Corporation**, Memphis, TN (US)

(**) Term: **14 Years**

(21) Appl. No.: **29/275,019**

(22) Filed: **Dec. 8, 2006**

(51) **LOC (8) Cl.** **24-01**

(52) **U.S. Cl.** **D24/186**

(58) **Field of Classification Search** D24/107,
D24/158, 160, 164, 185-186, 176-177; 356/117-118,
356/121, 167, 222; 600/117-118, 121, 167,
600/222

See application file for complete search history.

(56) **References Cited**

U.S. PATENT DOCUMENTS

D342,137 S * 12/1993 Guentner D24/158
D389,917 S * 1/1998 Hornback et al. D24/185
D391,638 S * 3/1998 Coons et al. D24/160

D397,440 S * 8/1998 Baars D24/158
D426,892 S * 6/2000 Beale et al. D24/160
D435,107 S * 12/2000 Blair et al. D24/186
D469,182 S * 1/2003 Choi et al. D24/158
D492,997 S * 7/2004 DiStasio D24/158
D545,967 S * 7/2007 Joyce et al. 24/160
D546,949 S * 7/2007 Green D24/164
D550,362 S * 9/2007 Olivera et al. D24/185

* cited by examiner

Primary Examiner—Robert A. Delehanty

Assistant Examiner—Mark Cavanna

(74) *Attorney, Agent, or Firm*—Butler, Snow, O'Mara, Stevens & Cannada, PLLC

(57) **CLAIM**

The ornamental design for vein imaging apparatus, as shown and described.

DESCRIPTION

FIG. 1 is a front perspective view of the vein imaging apparatus showing our new design;

FIG. 2 is a left side view thereof;

FIG. 3 is a front view thereof;

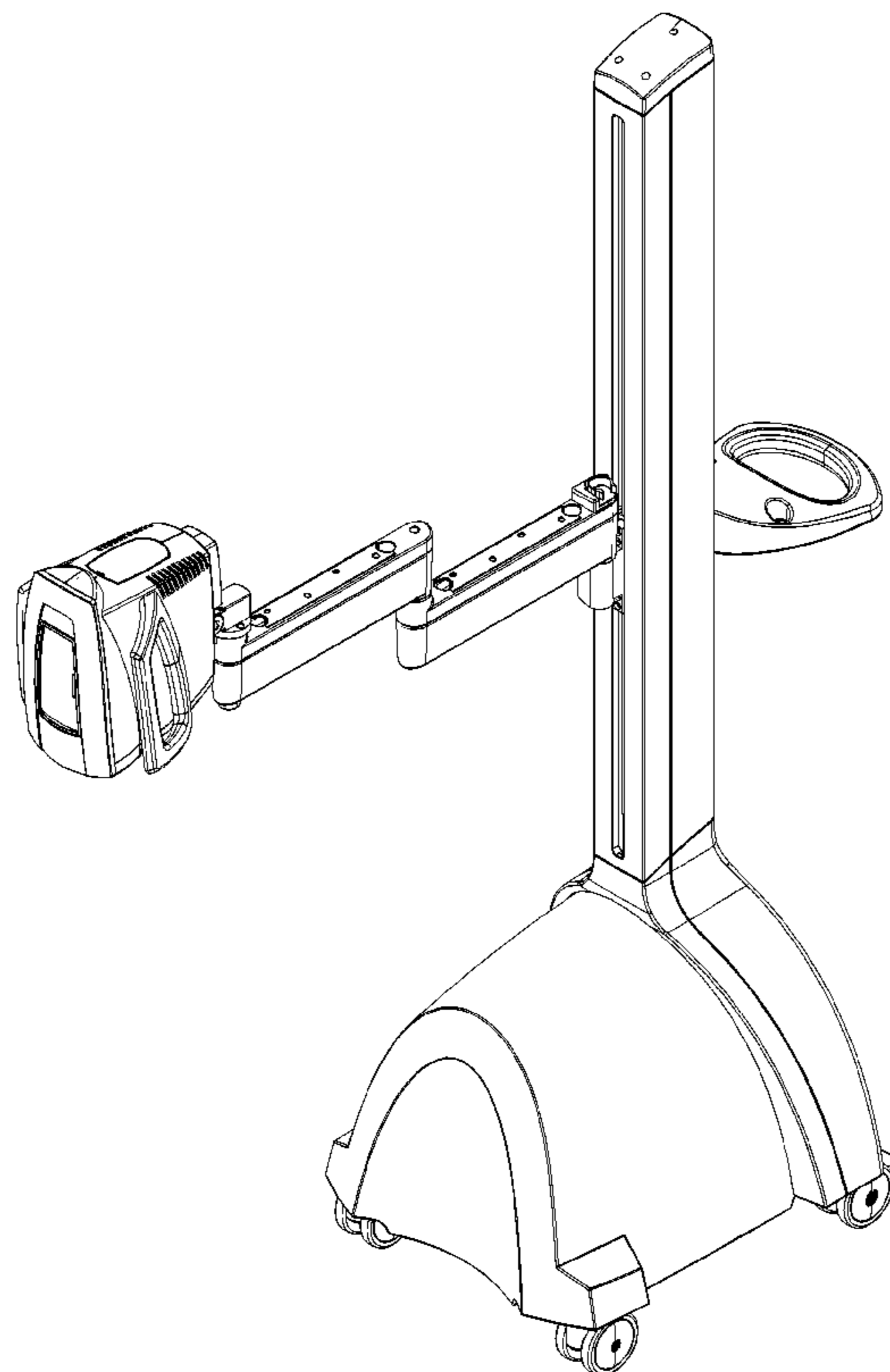
FIG. 4 is a right side thereof;

FIG. 5 is a back view thereof;

FIG. 6 is a top view thereof; and,

FIG. 7 is a bottom view thereof.

1 Claim, 7 Drawing Sheets



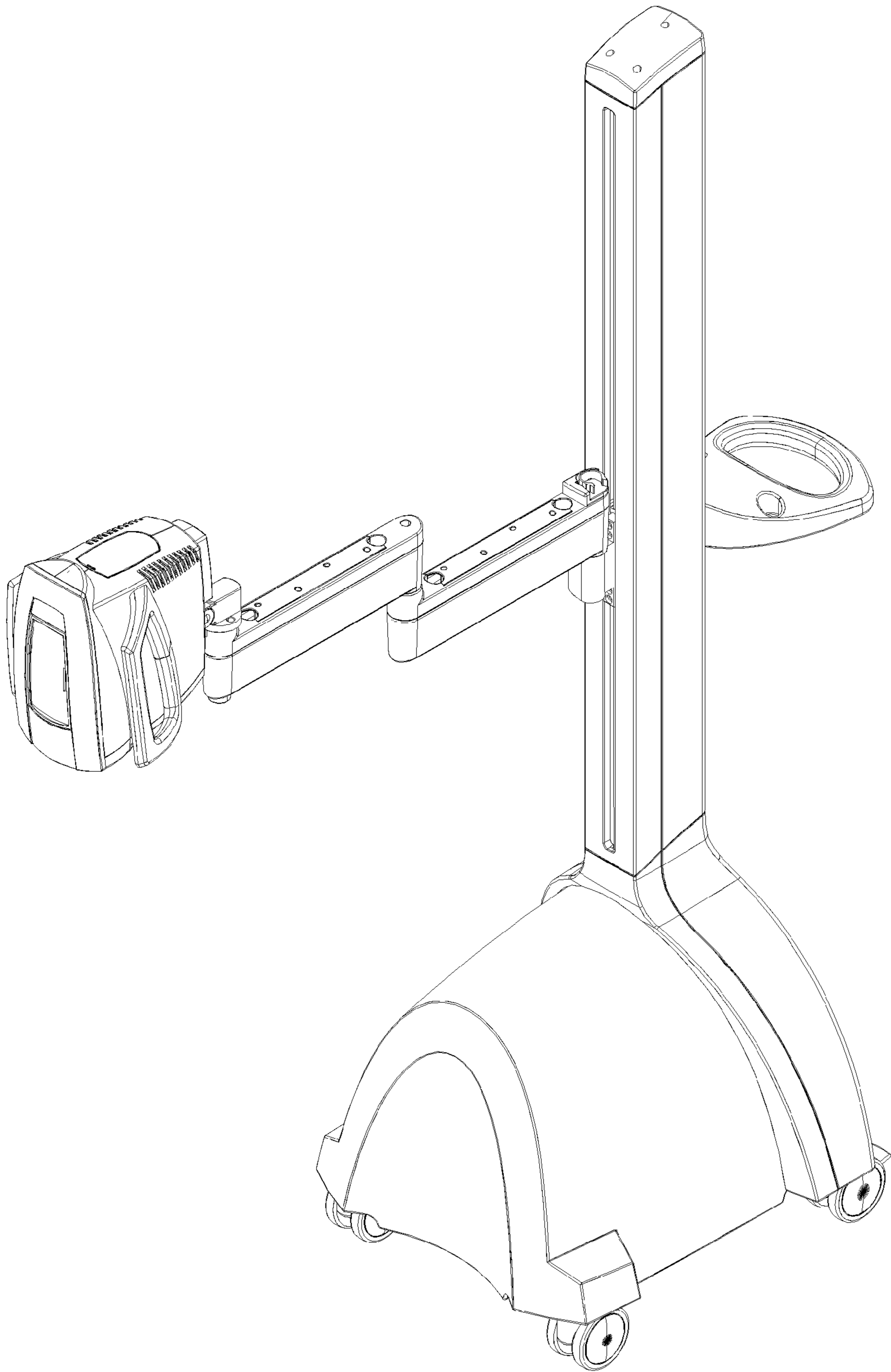


FIG. 1

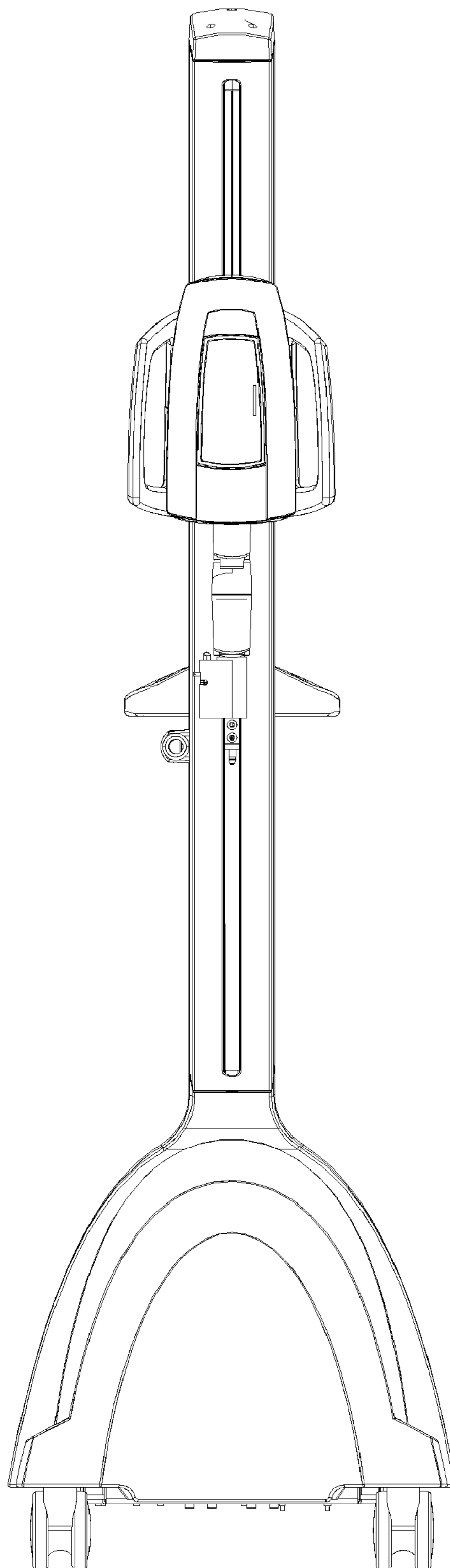


FIG. 2

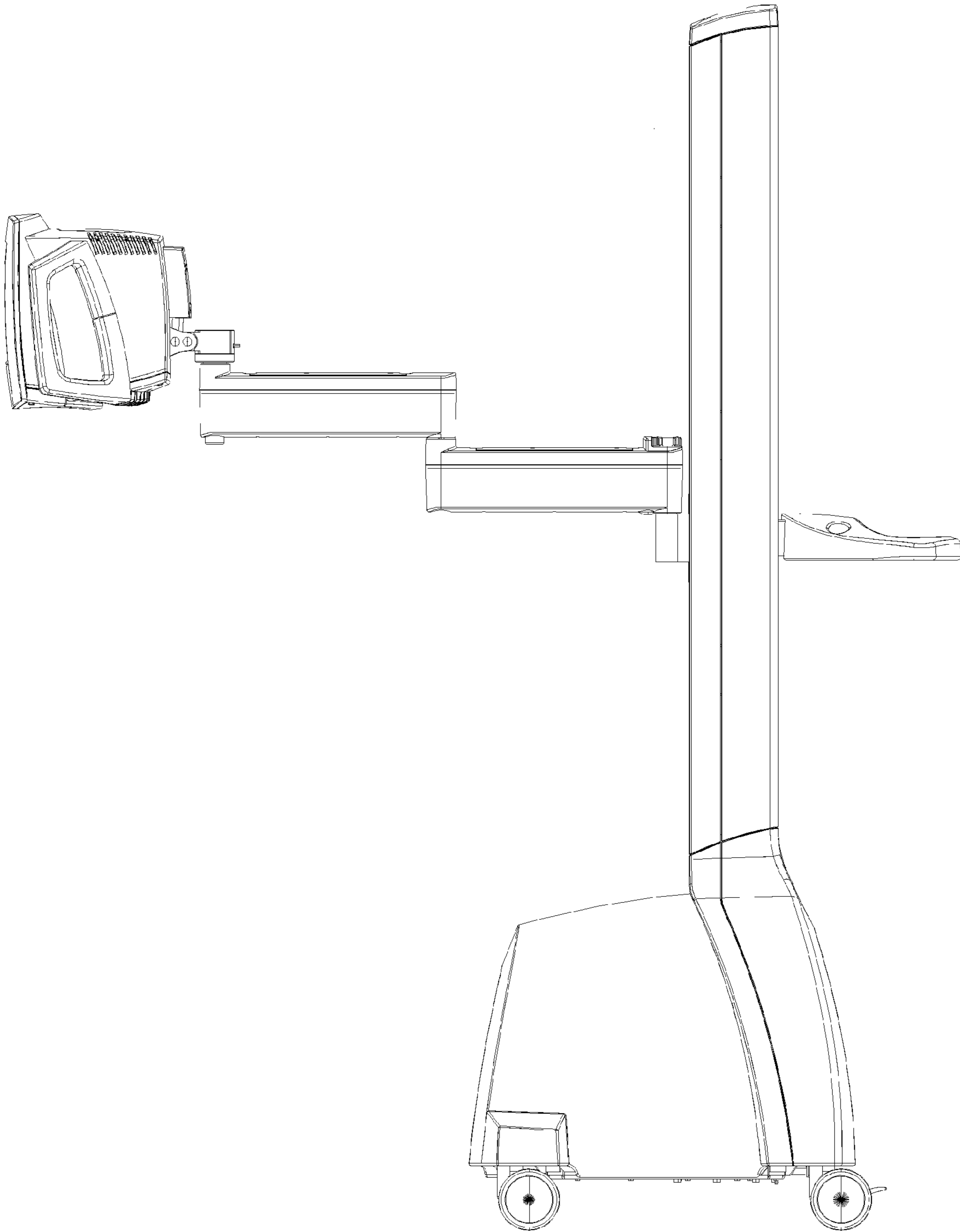


FIG. 3

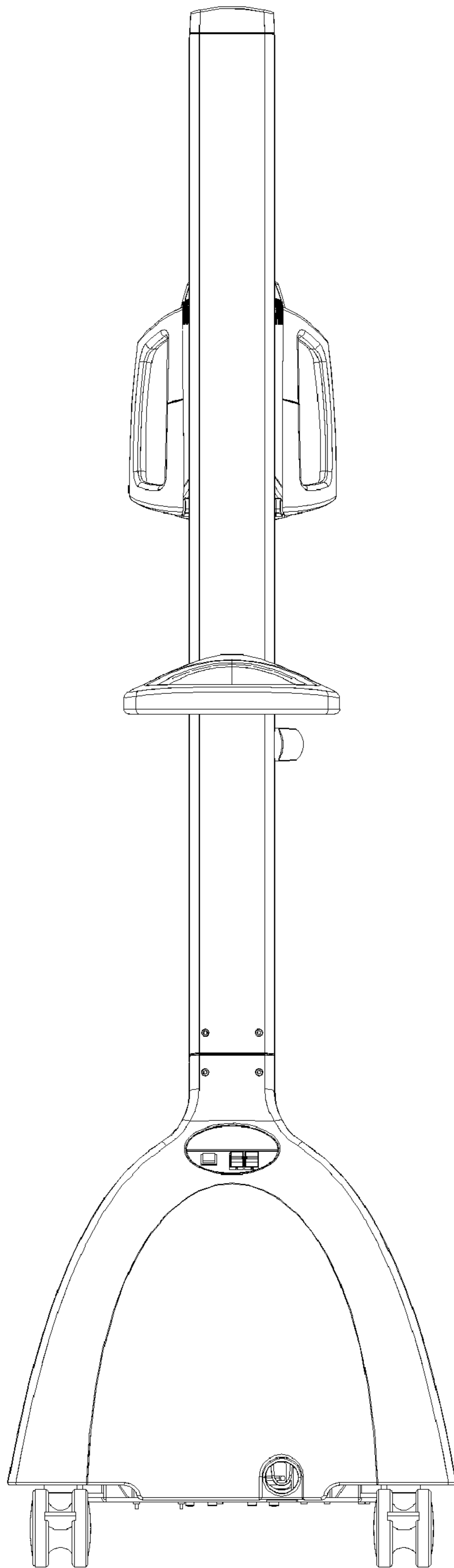


FIG. 4

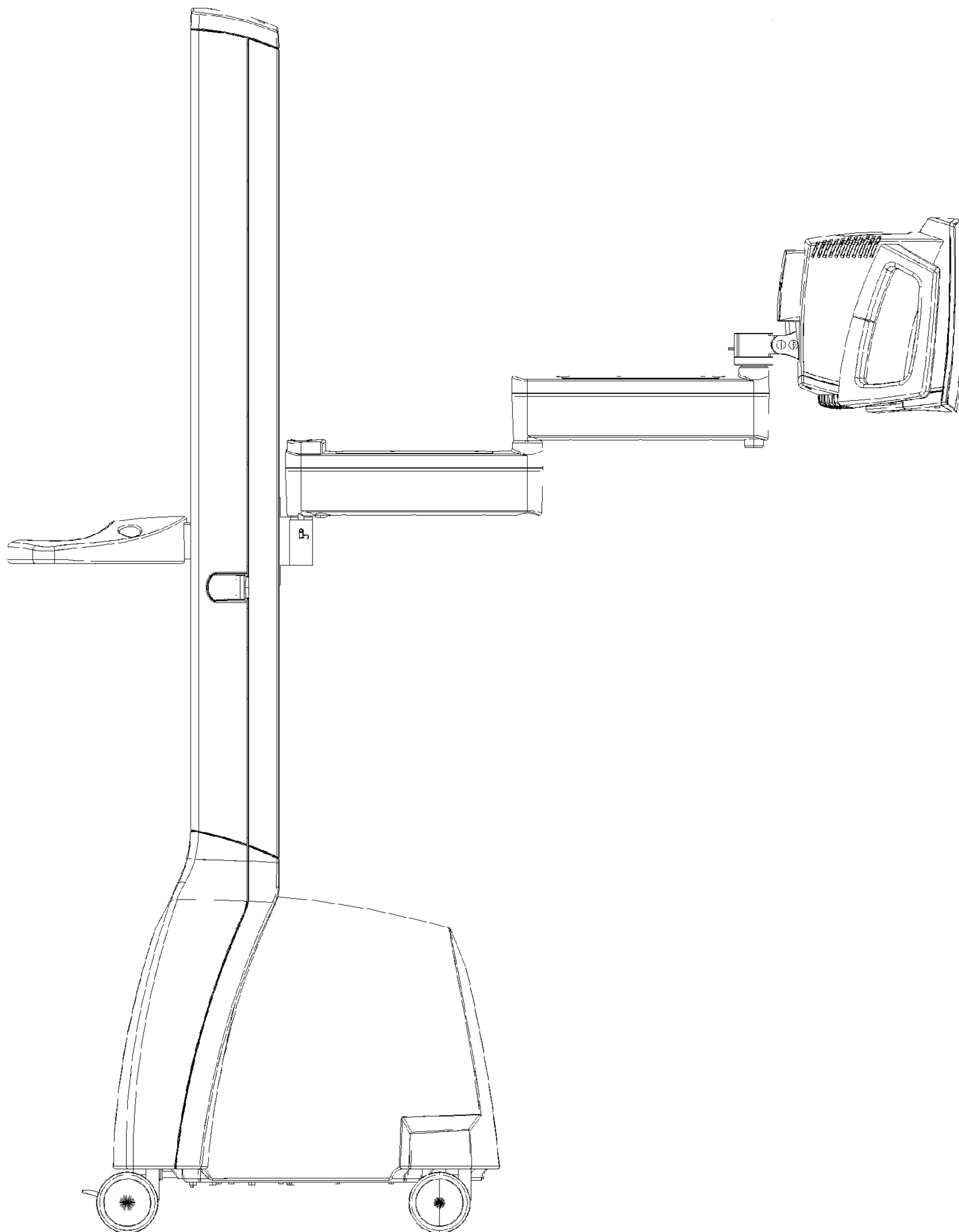


FIG. 5

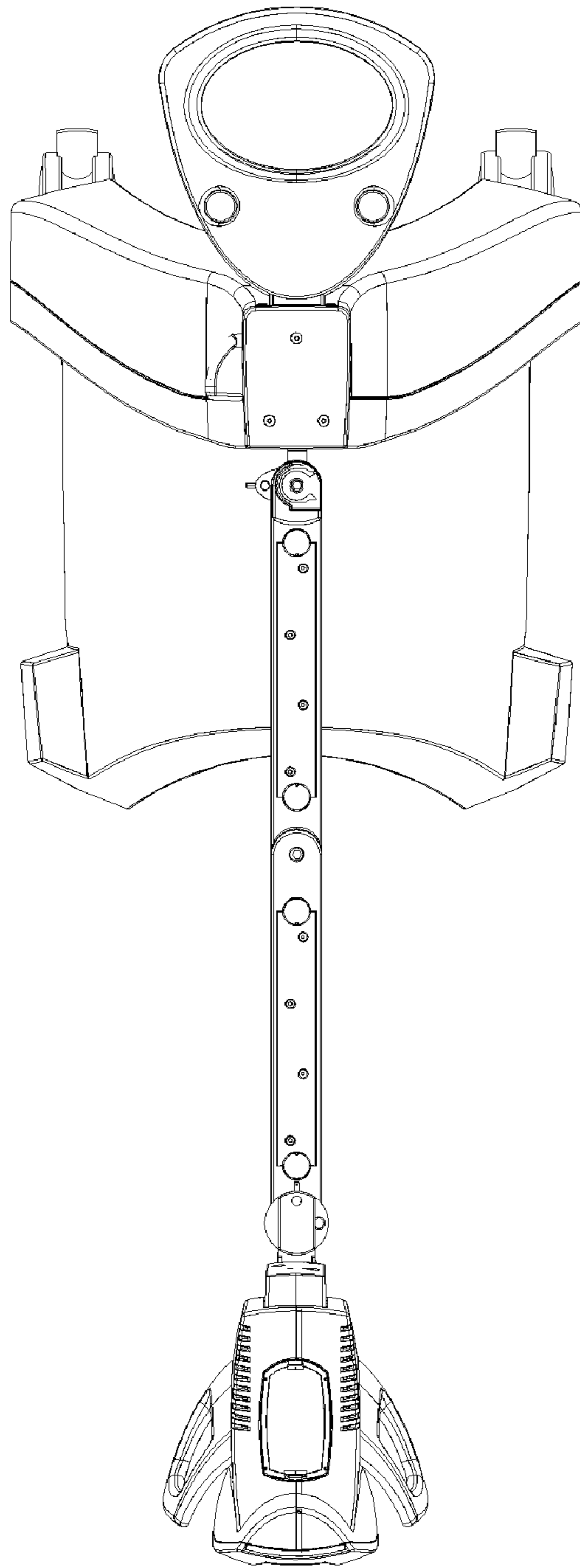


FIG. 6

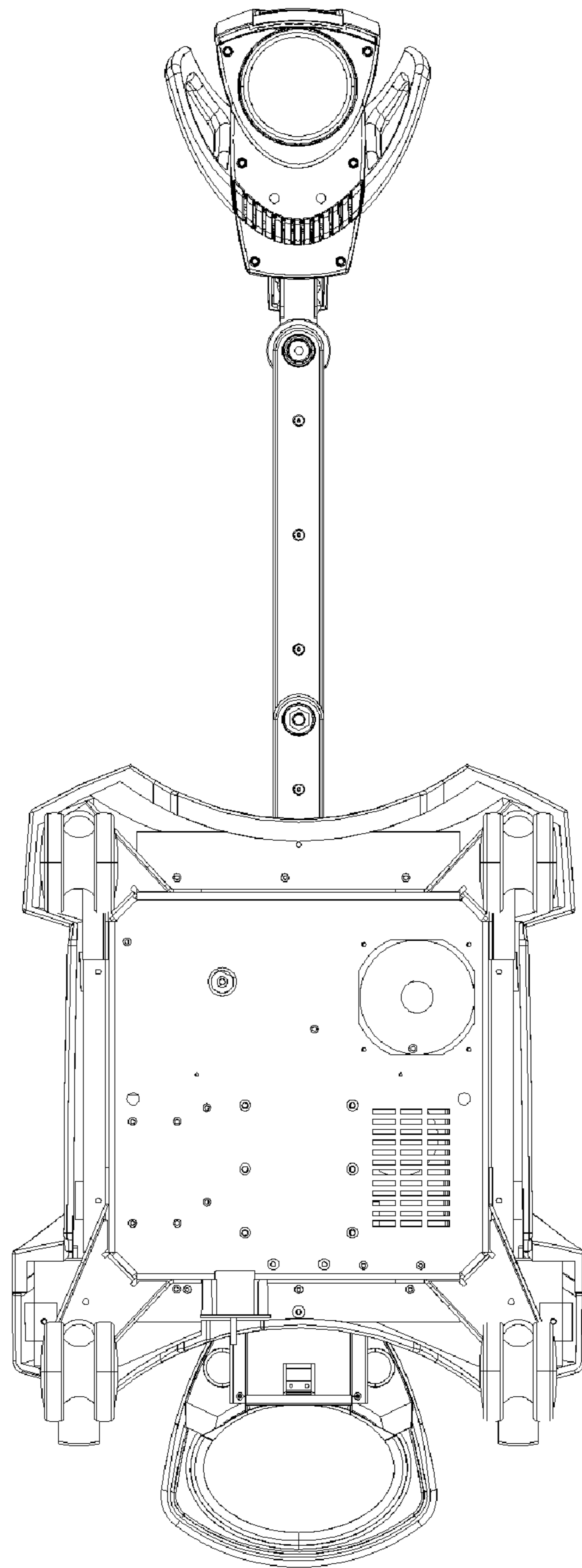


FIG. 7