

US00D566278S

(12) **United States Design Patent**
Echizenya et al.

(10) **Patent No.:** **US D566,278 S**
(45) **Date of Patent:** **** Apr. 8, 2008**

(54) **X-RAY ANALYSIS DEVICE**

6,826,253 B2 * 11/2004 Greenbank et al. 378/44

(75) Inventors: **Akira Echizenya**, Tokyo (JP); **Aya Kuribayashi**, Tokyo (JP); **Toru Mitsunaga**, Tokyo (JP); **Mari Ookawa**, Tokyo (JP)

* cited by examiner

Primary Examiner—Ian Simmons
Assistant Examiner—Anhdao Doan

(73) Assignee: **Rigaku Corporation**, Tokyo (JP)

(74) *Attorney, Agent, or Firm*—Buchanan Ingersoll & Rooney, PC

(**) Term: **14 Years**

(57) **CLAIM**

(21) Appl. No.: **29/252,553**

The ornamental design for an x-ray analysis device, as shown and described.

(22) Filed: **Jan. 25, 2006**

DESCRIPTION

(30) **Foreign Application Priority Data**

Jul. 26, 2005 (JP) 2005-024043

FIG. 1 is a front elevational view of an x-ray analysis device showing our new design;

(51) **LOC (8) Cl.** **24-01**

FIG. 2 is a rear elevational view thereof;

(52) **U.S. Cl.** **D24/158**

FIG. 3 is a top plan view thereof;

(58) **Field of Classification Search** D24/158-161, D24/183, 232; 378/178-190, 193, 195-198, 378/208, 209, 37-39, 79, 80; D16/79, 80
See application file for complete search history.

FIG. 4 is a bottom plan view thereof;

FIG. 5 is a right side elevational view thereof;

FIG. 6 is a left side elevational view thereof;

FIG. 7 is a perspective view thereof, showing a front door being opened to a fully opened position;

FIG. 8 is a front elevational view showing a front door being opened to a middle position; and,

FIG. 9 is a front elevational view showing a front door being opened to a fully open position.

(56) **References Cited**

U.S. PATENT DOCUMENTS

D332,273 S *	1/1993	Maliszewski et al.	D16/208
D334,980 S *	4/1993	Pritchard	D24/158
D380,273 S *	6/1997	Emerson et al.	D24/232
D408,915 S *	4/1999	Ogiwara	D24/158
D491,272 S *	6/2004	Alden et al.	D24/216

1 Claim, 5 Drawing Sheets

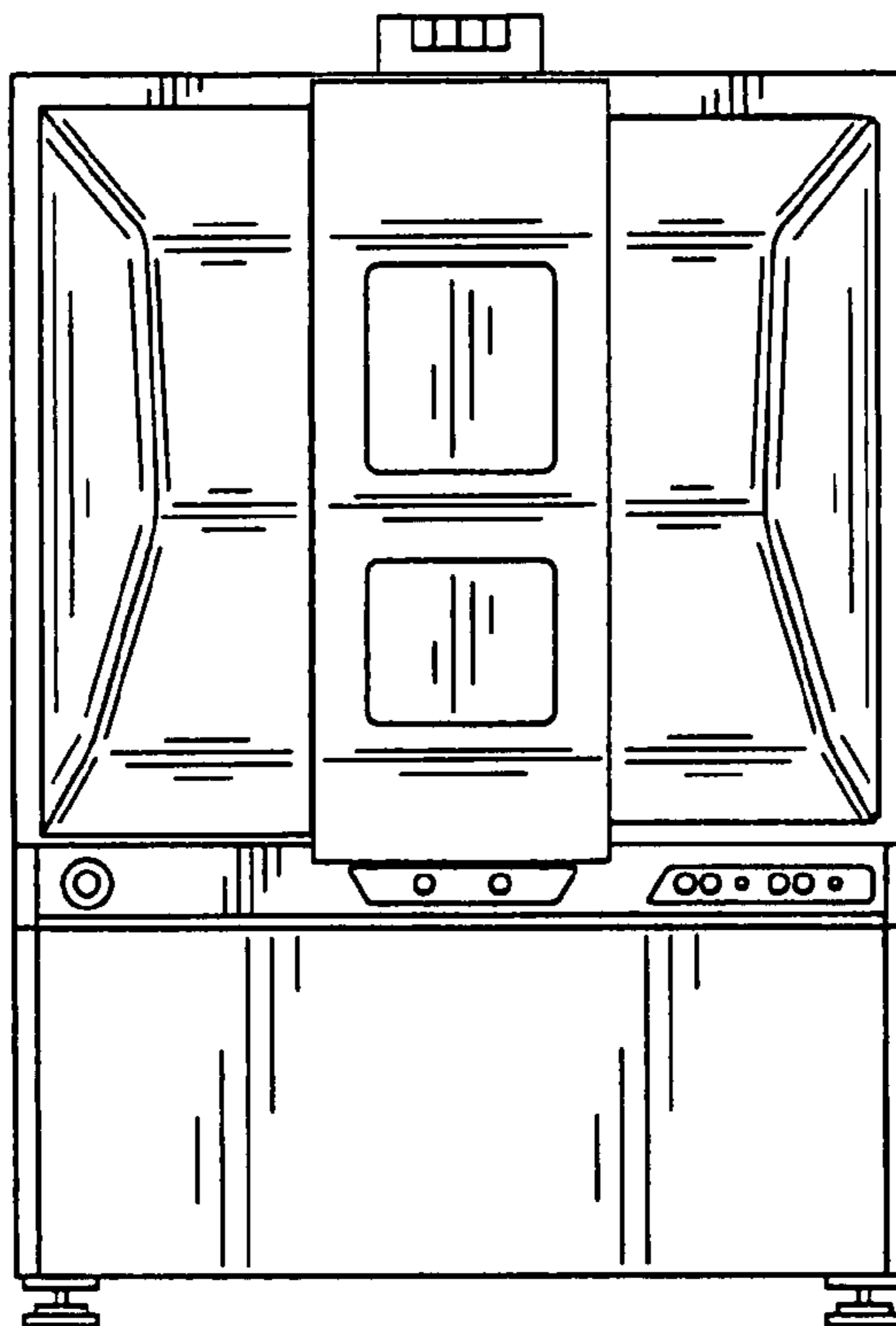


FIG. 1

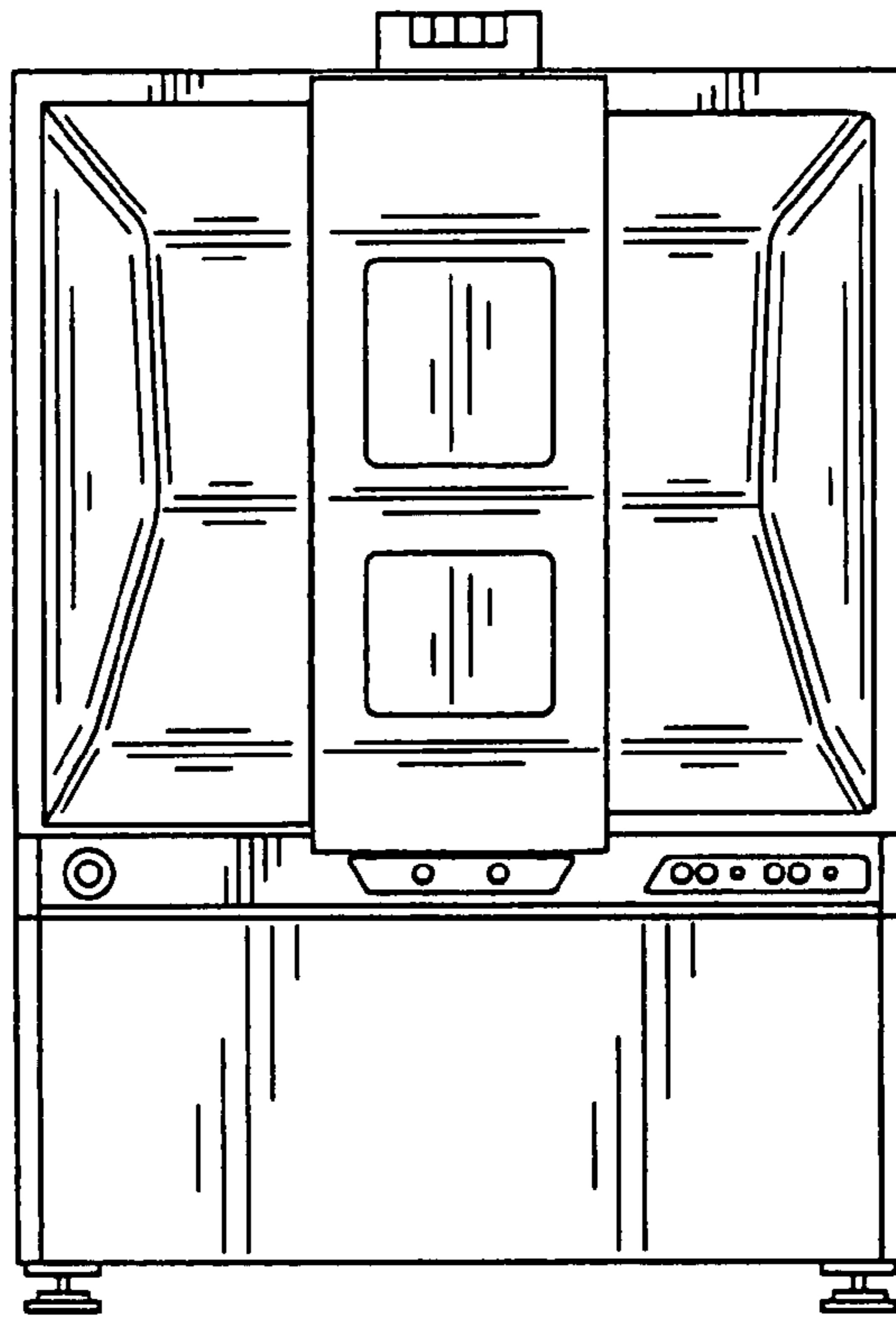


FIG. 2

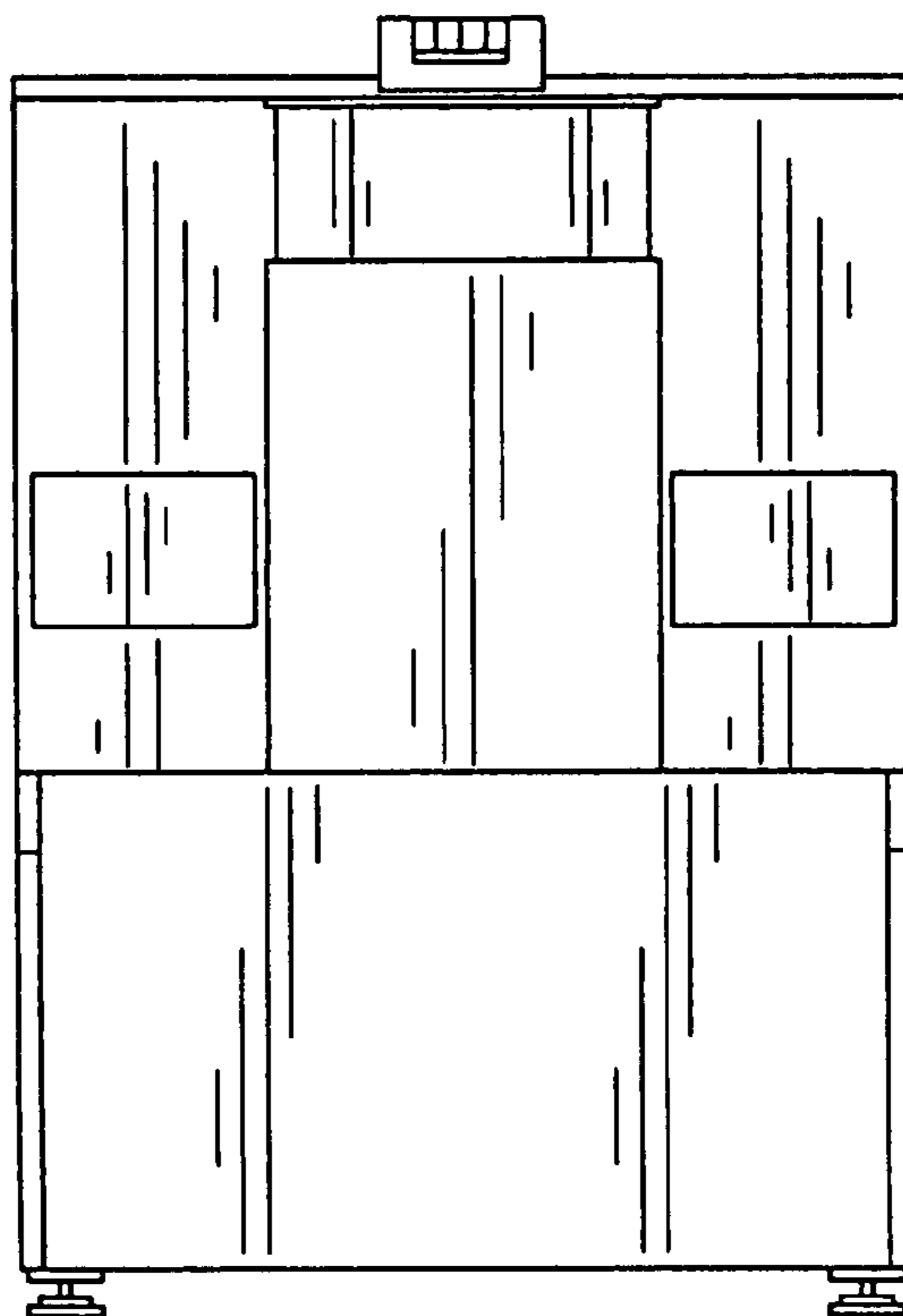


FIG. 3

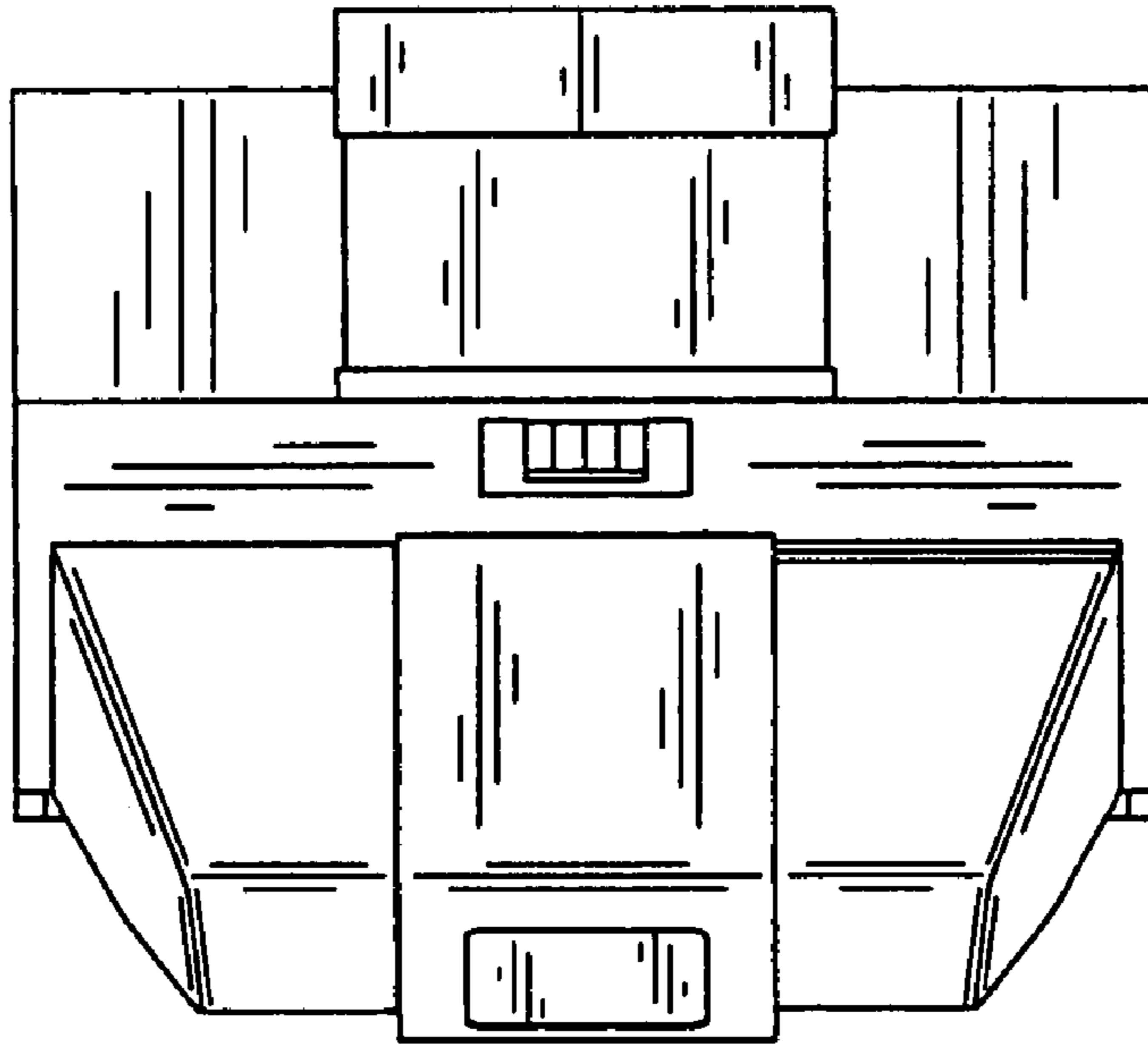


FIG. 4

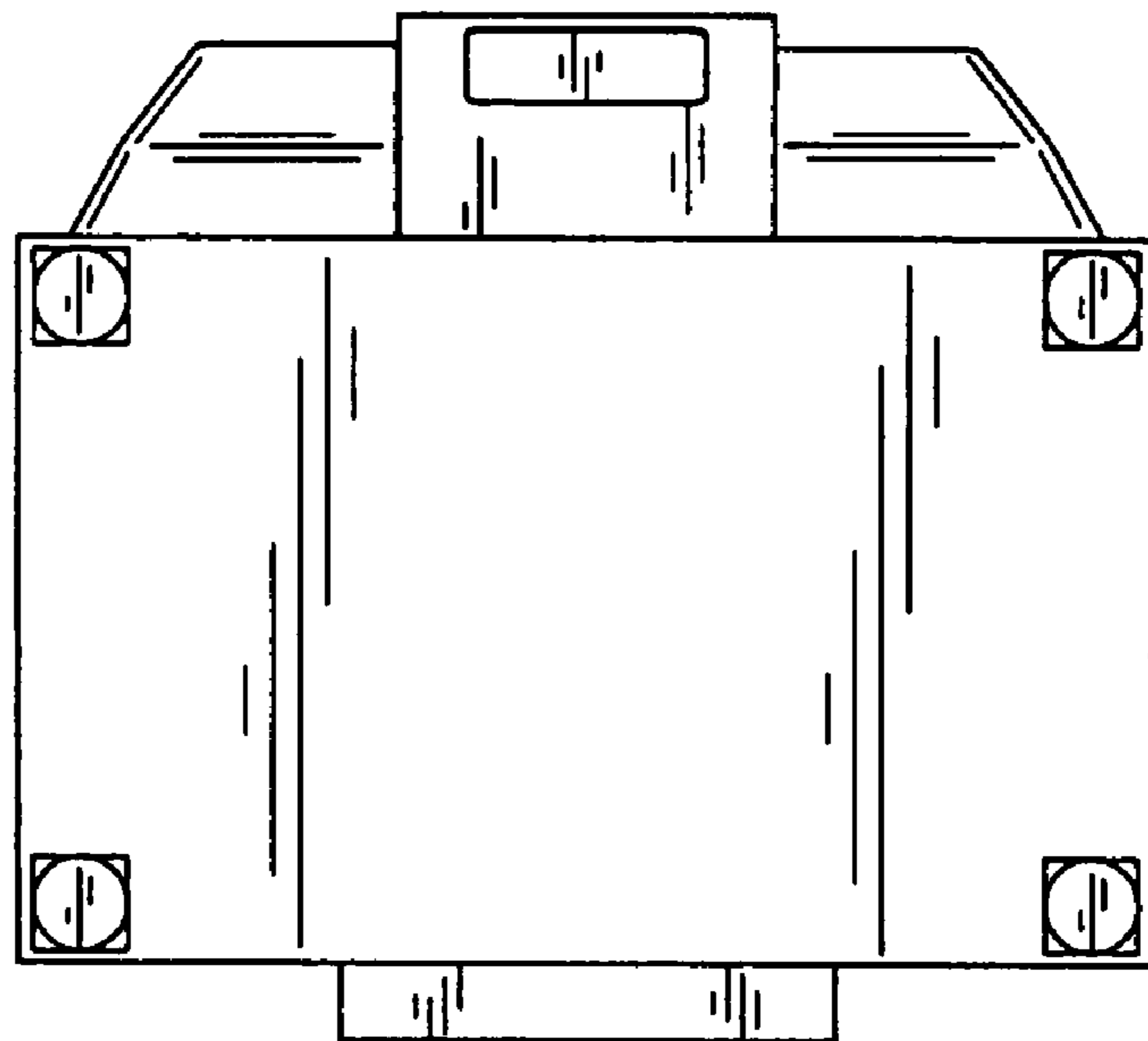


FIG. 5

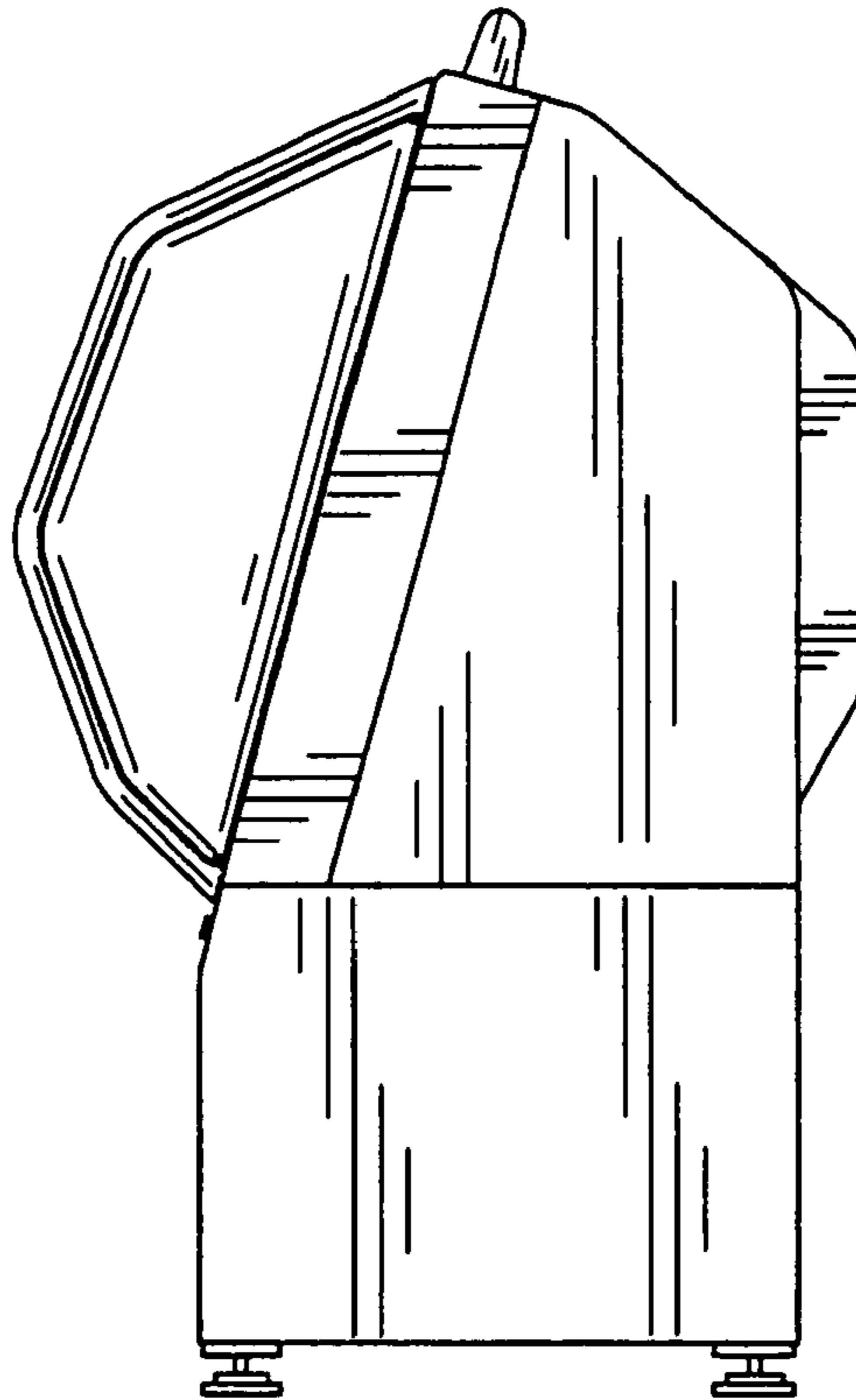


FIG. 6

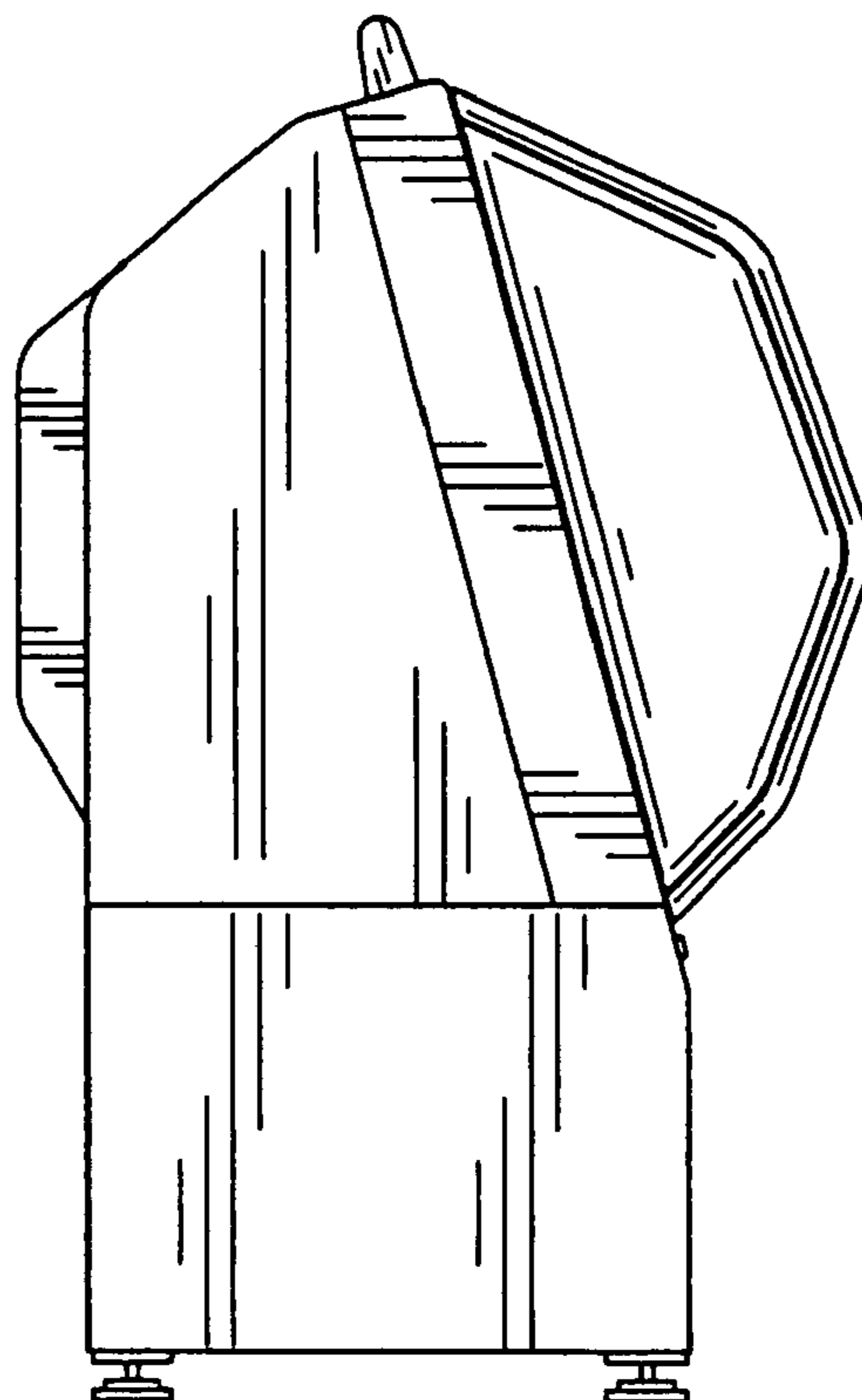


FIG. 7

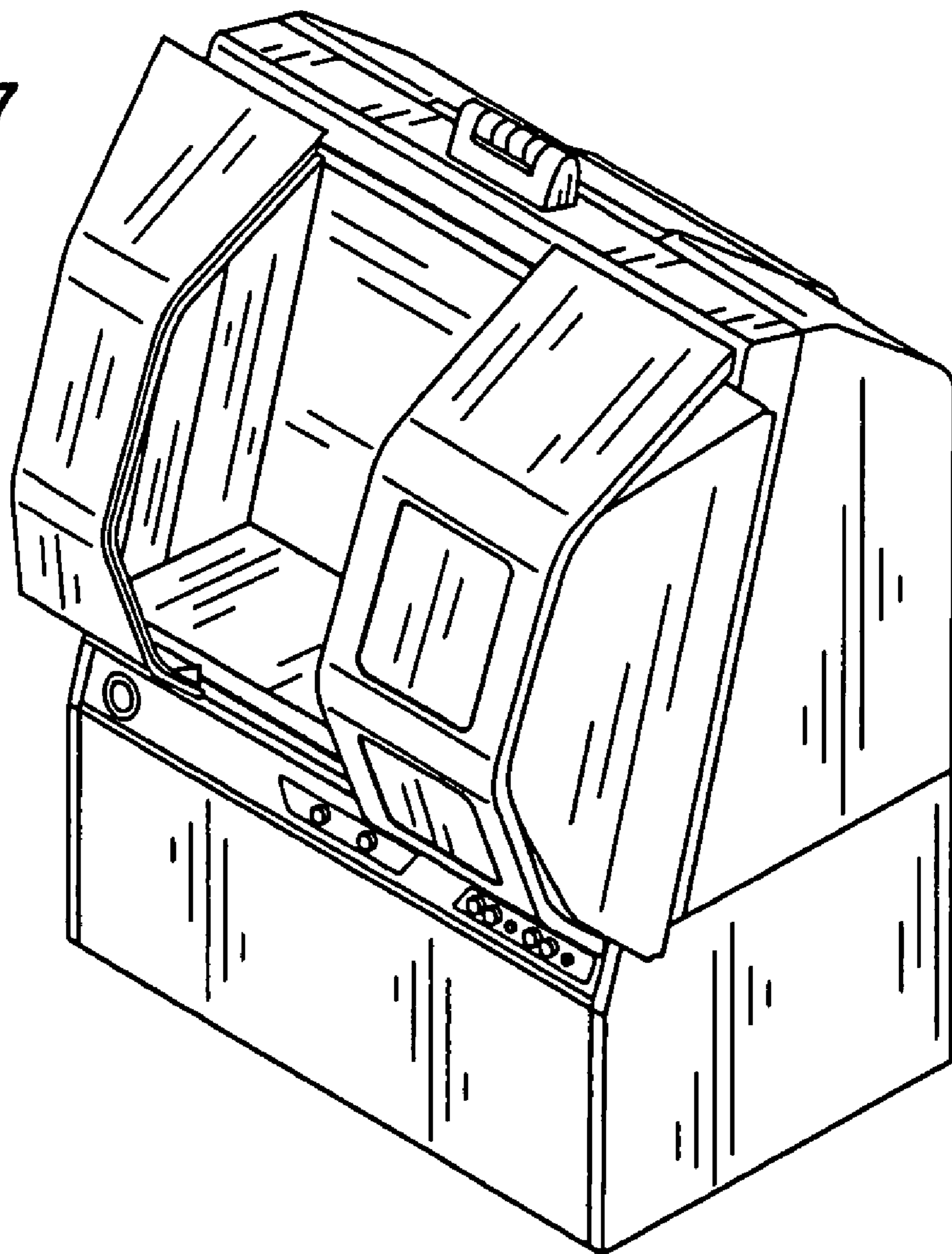


FIG. 8

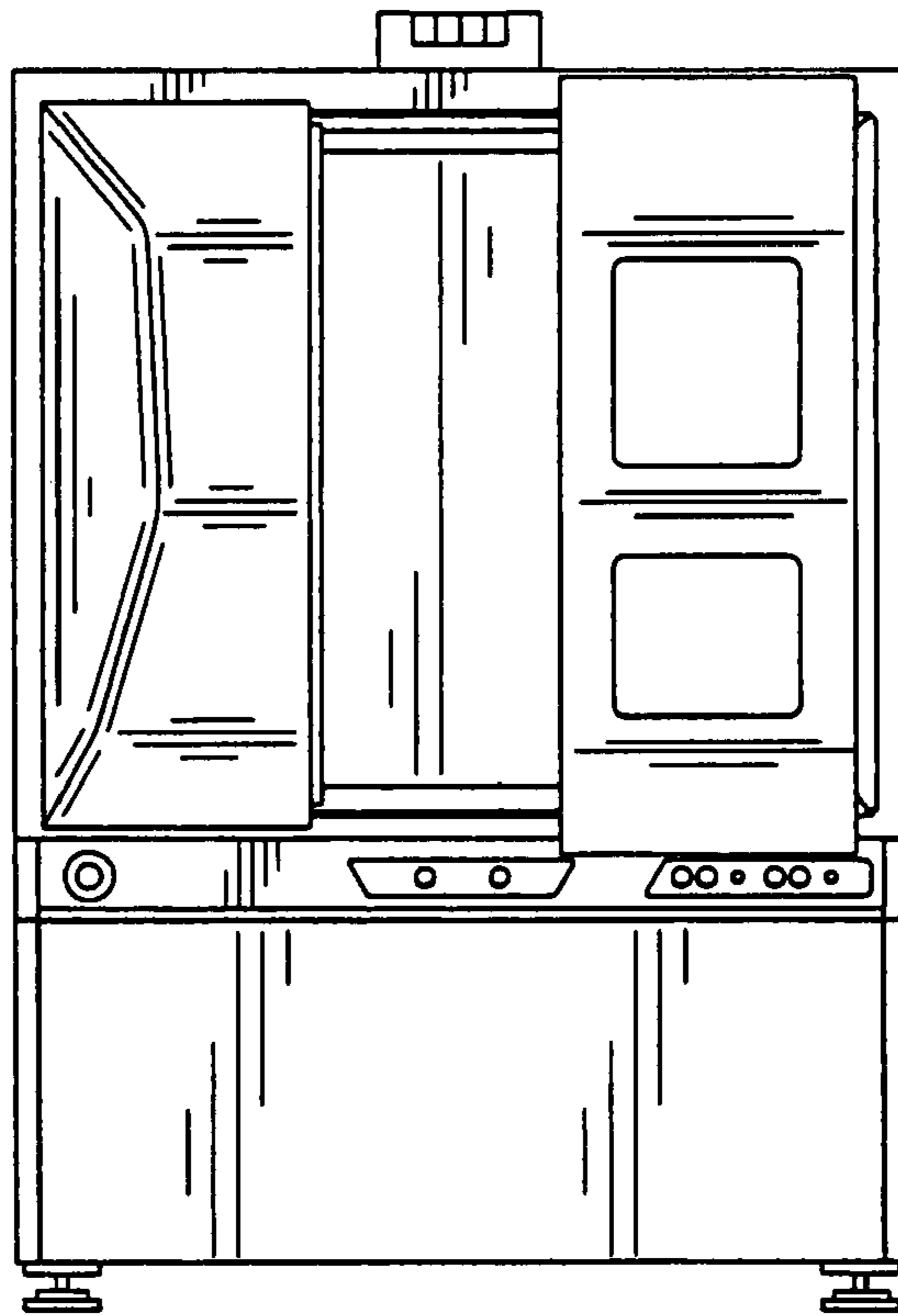


FIG. 9

