



US00D566276S

(12) **United States Design Patent**
Blain

(10) **Patent No.:** **US D566,276 S**

(45) **Date of Patent:** **** Apr. 8, 2008**

(54) **INTERBODY FUSION DEVICE**

(75) Inventor: **Jason Blain**, Encinitas, CA (US)

(73) Assignee: **Spinal Elements, Inc.**, Carlsbad, CA (US)

(**) Term: **14 Years**

(21) Appl. No.: **29/264,695**

(22) Filed: **Apr. 3, 2006**

6,120,502 A	9/2000	Michelson	
6,132,465 A	10/2000	Ray et al.	
6,231,610 B1	5/2001	Geisler	
6,235,059 B1	5/2001	Benezech et al.	
6,245,108 B1	6/2001	Biscup	
6,290,724 B1	9/2001	Marino	
6,325,827 B1	12/2001	Lin	
6,342,055 B1	1/2002	Eisermann et al.	
6,375,655 B1	4/2002	Zdeblick et al.	
6,387,099 B1	5/2002	Lange et al.	
6,409,766 B1 *	6/2002	Brett	623/17.16

(Continued)

Related U.S. Application Data

(62) Division of application No. 29/242,035, filed on Nov. 4, 2005, now Pat. No. Des. 524,443.

(51) **LOC (8) Cl.** **24-03**

(52) **U.S. Cl.** **D24/155**

(58) **Field of Classification Search** D24/155-157;
606/61, 72, 74; 623/17.16, 17.17, 11.11

See application file for complete search history.

(56) **References Cited**

U.S. PATENT DOCUMENTS

5,425,772 A	6/1995	Brantigan
5,443,514 A	8/1995	Steffee
5,484,437 A	1/1996	Michelson
5,658,337 A	8/1997	Kohrs et al.
5,669,909 A	9/1997	Zdeblick et al.
5,782,919 A	7/1998	Zdeblick et al.
5,888,223 A	3/1999	Bray, Jr.
5,888,224 A	3/1999	Beckers et al.
D411,009 S	6/1999	Asfora
5,984,967 A	11/1999	Zdeblick et al.
6,080,158 A	6/2000	Lin

Primary Examiner—Charles A. Rademaker

(74) *Attorney, Agent, or Firm*—Knobbe Martens Olson & Bear LLP

(57) **CLAIM**

The ornamental design for an interbody fusion device, as shown and described.

DESCRIPTION

FIG. 1 is a rear perspective view of an interbody fusion device showing my new design;

FIG. 2 is a front elevation thereof;

FIG. 3 is a rear elevation thereof;

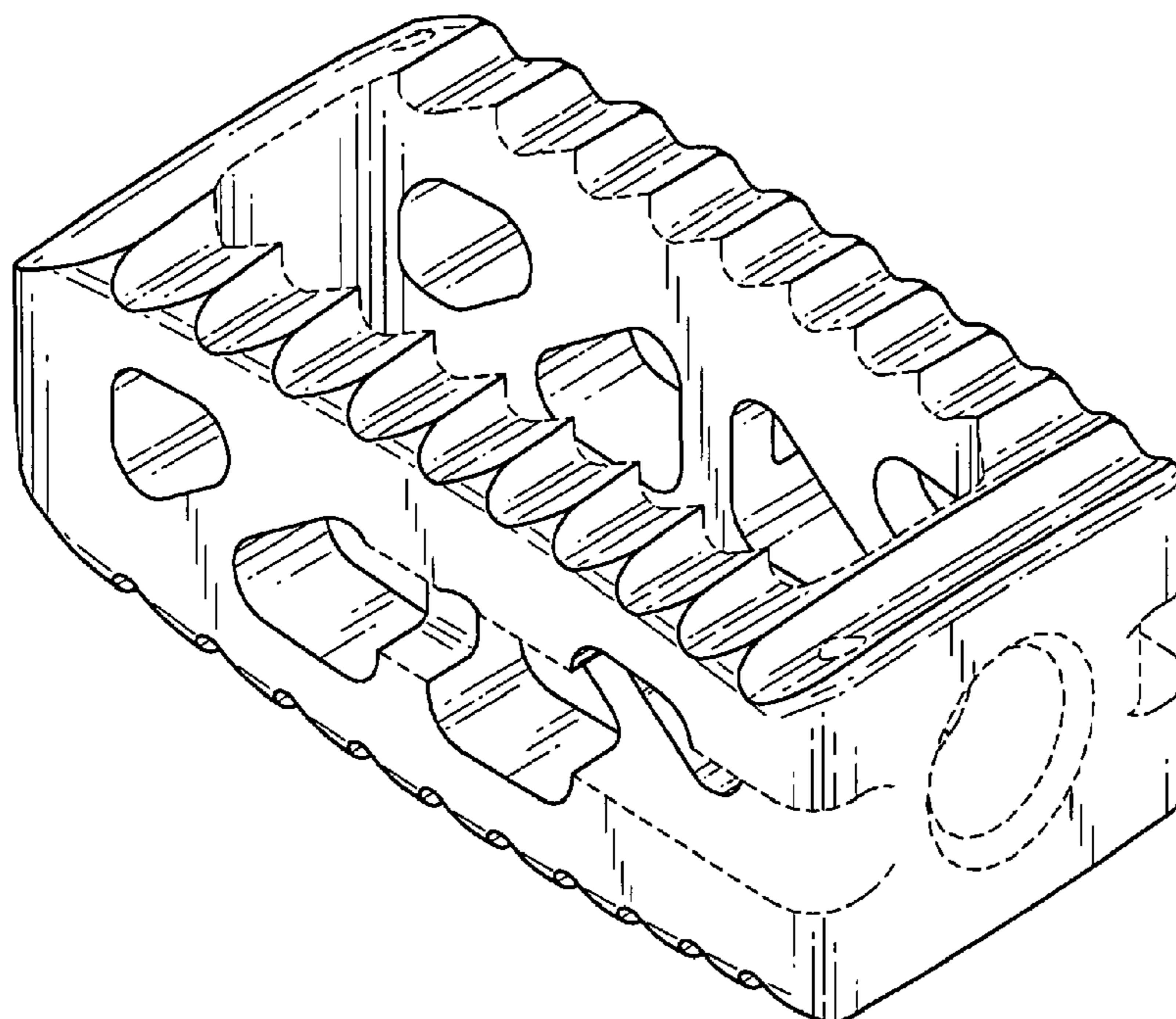
FIG. 4 is a right side elevation thereof;

FIG. 5 is a top plan view thereof; and,

FIG. 6 is a bottom plan view thereof.

The broken lines shown in the drawings are included for purposes of illustration and form no part of the claimed design.

1 Claim, 4 Drawing Sheets



US D566,276 S

Page 2

U.S. PATENT DOCUMENTS

6,432,106	B1	8/2002	Fraser				
6,468,311	B2	10/2002	Boyd et al.				
6,482,233	B1	11/2002	Aebi et al.				
6,491,724	B1	12/2002	Ferree				
D472,633	S *	4/2003	Anderson	D24/155		
D472,634	S *	4/2003	Anderson	D24/155		
D473,650	S *	4/2003	Anderson	D24/155		
6,613,091	B1	9/2003	Zdeblick et al.				
6,676,703	B2	1/2004	Biscup				
6,726,722	B2	4/2004	Walkenhorst et al.				
6,730,127	B2	5/2004	Michelson				
6,746,484	B1 *	6/2004	Liu et al.	623/17.16		
D493,225	S	7/2004	Varga et al.				
D494,274	S	8/2004	Varga et al.				
6,824,564	B2 *	11/2004	Crozet	623/17.11		
D501,555	S	2/2005	Varga et al.				
D503,801	S *	4/2005	Jackson	D24/155		
6,942,698	B1 *	9/2005	Jackson	623/17.16		
6,955,691	B2 *	10/2005	Chae et al.	623/17.16		
6,964,687	B1	11/2005	Bernard et al.				
6,979,353	B2	12/2005	Bresina				
2002/0099376	A1	7/2002	Michelson				
2002/0103540	A1	8/2002	Cooper et al.				
2002/0143400	A1	10/2002	Biscup				
2003/0114931	A1	6/2003	Lee et al.				
2003/0139812	A1	7/2003	Garcia et al.				
2004/0117020	A1	6/2004	Frey et al.				
2004/0127990	A1	7/2004	Bartish, Jr. et al.				
2005/0004671	A1	1/2005	Ross et al.				
2005/0027360	A1	2/2005	Webb et al.				
2005/0038431	A1	2/2005	Bartish et al.				
2005/0096745	A1	5/2005	Andre et al.				

* cited by examiner

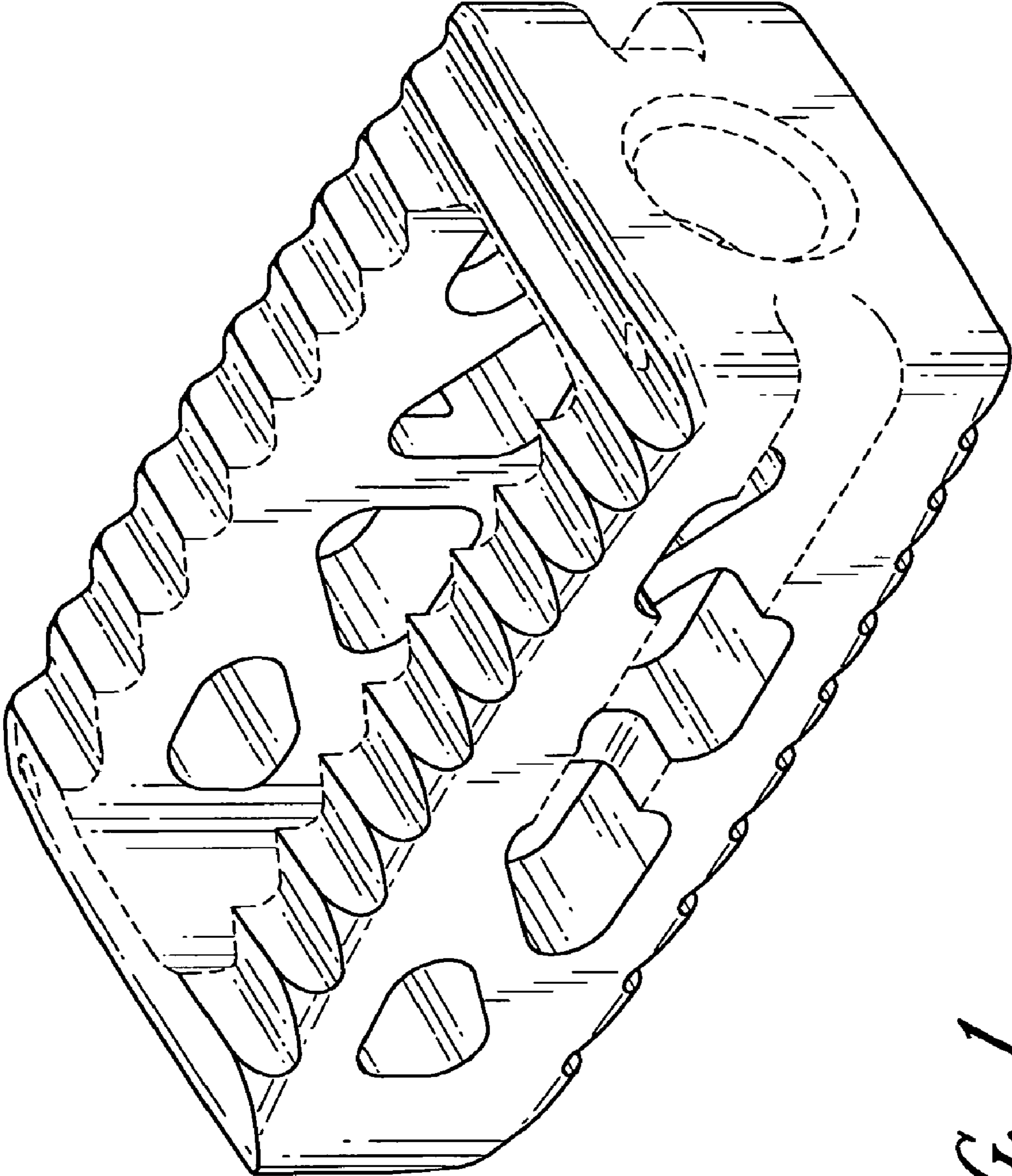


FIG. 1

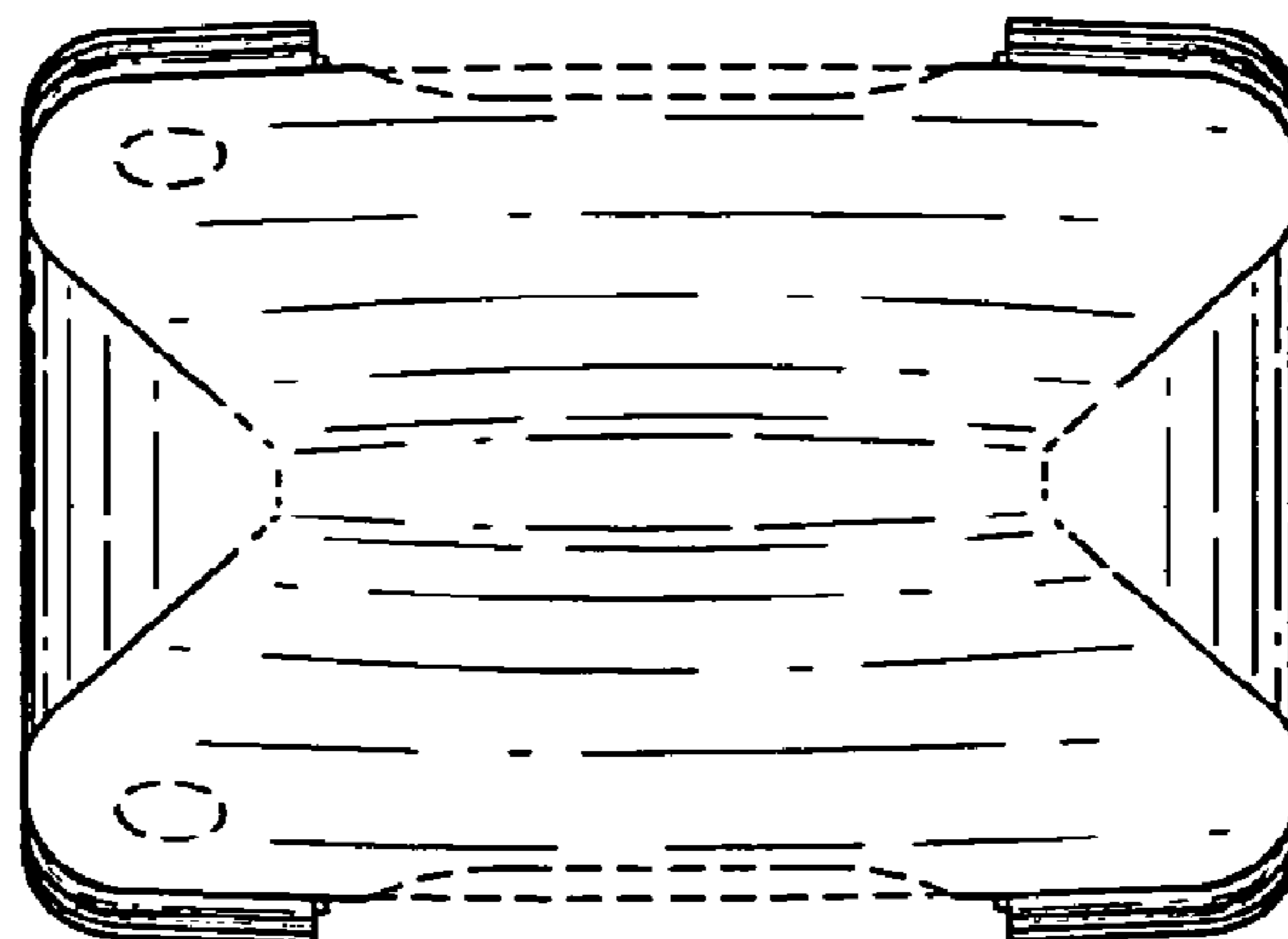


FIG. 2

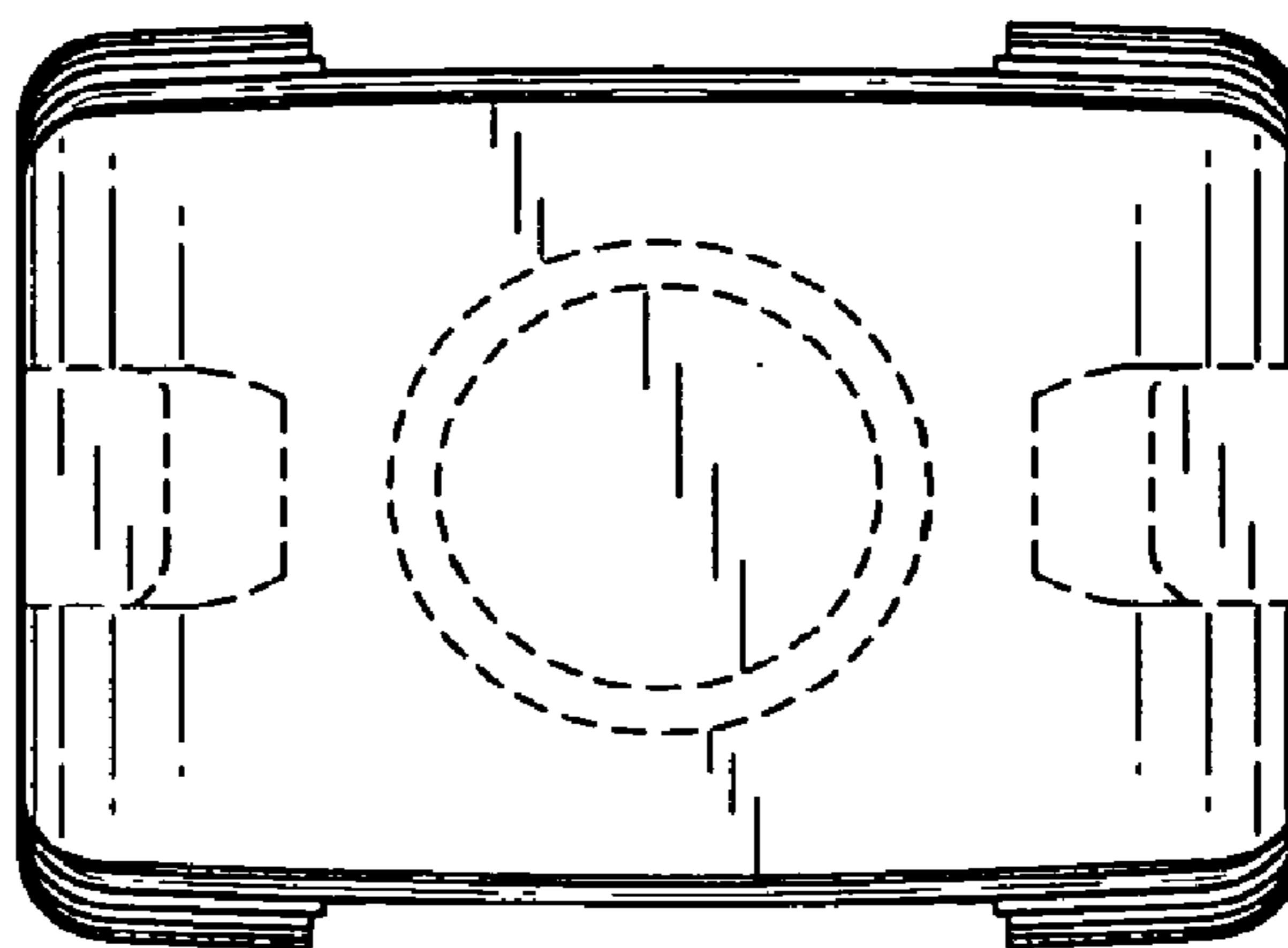


FIG. 3

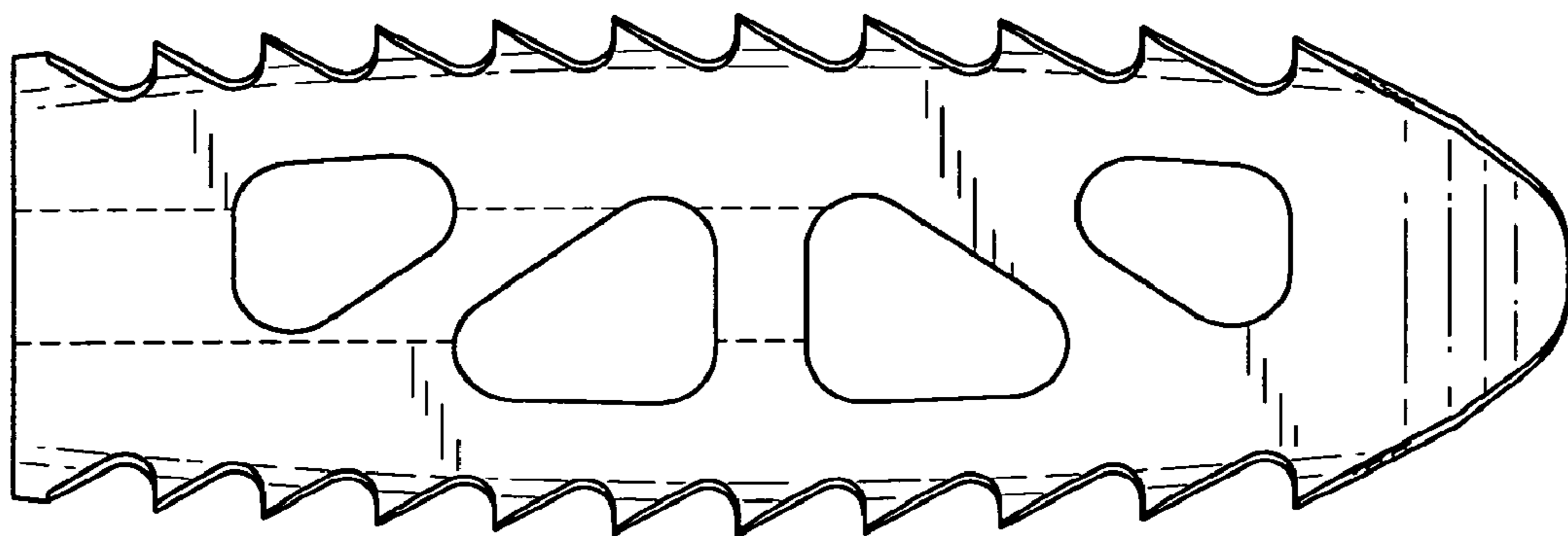


FIG. 4

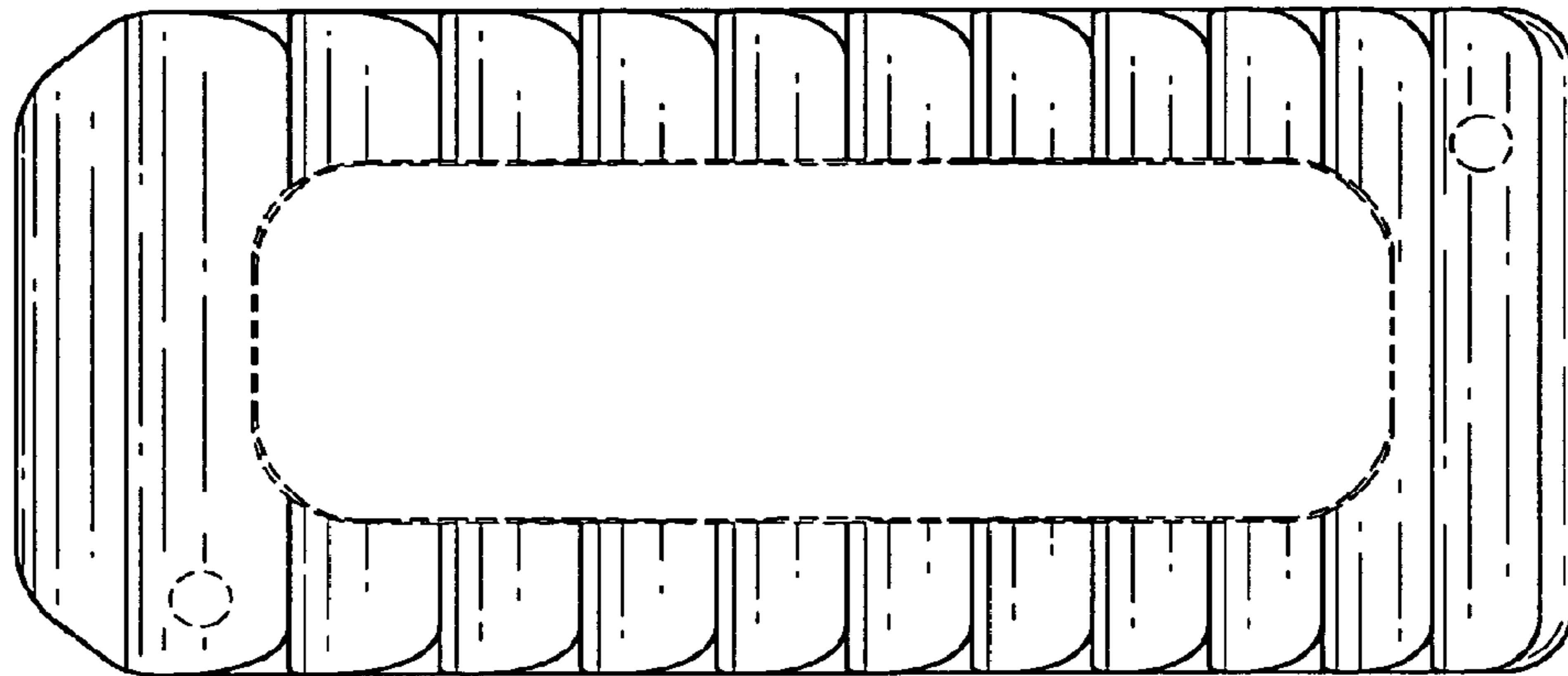


FIG. 5

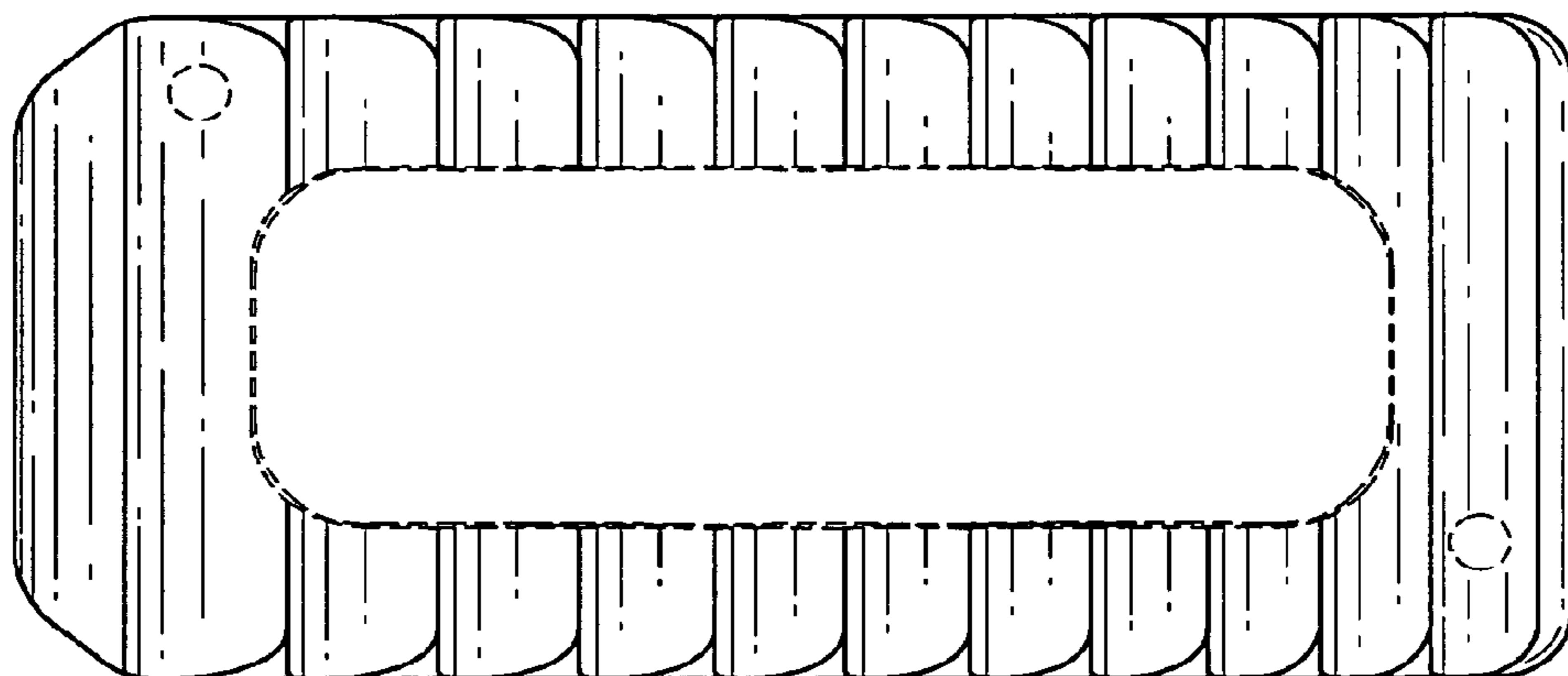


FIG. 6