



US00D566275S

(12) **United States Design Patent**
Morrison et al.

(10) **Patent No.:** **US D566,275 S**

(45) **Date of Patent:** **** Apr. 8, 2008**

(54) **TIBIAL IMPACTOR**

(75) Inventors: **Paul John Morrison**, Christchurch
(NZ); **Simon John Davis**, Christchurch
(NZ)

(73) Assignee: **Enztec Limited**, Christchurch (NZ)

(**) Term: **14 Years**

(21) Appl. No.: **29/259,956**

(22) Filed: **May 18, 2006**

(30) **Foreign Application Priority Data**

Nov. 18, 2005 (NZ) 406811

(51) **LOC (8) Cl.** **24-03**

(52) **U.S. Cl.** **D24/155**

(58) **Field of Classification Search** D24/155,
D24/156; 606/61, 72, 74; 623/17.16, 17.17,
623/11.1, 45, 27, 44; D8/387; 433/173
See application file for complete search history.

(56) **References Cited**

U.S. PATENT DOCUMENTS

RE31,673 E * 9/1984 Blatchford et al. 623/44
4,685,927 A * 8/1987 Haupt 623/44
5,704,946 A * 1/1998 Greene 623/44
D452,426 S * 12/2001 Milan D8/387
D499,487 S * 12/2004 Bedard et al. D24/155

D522,142 S * 5/2006 Boiten D24/155
D523,959 S * 6/2006 Muehlenberend D24/155
D525,709 S * 7/2006 Boiten D24/155
D526,062 S * 8/2006 Harn et al. D24/155
D526,412 S * 8/2006 Harn et al. D24/155
D527,458 S * 8/2006 Harn et al. D24/155
D553,741 S * 10/2007 Chen D24/155

* cited by examiner

Primary Examiner—Charles A. Rademaker

(74) *Attorney, Agent, or Firm*—Jacobson Holman PLLC

(57) **CLAIM**

The ornamental design for a tibial impactor, as shown and described.

DESCRIPTION

FIG. 1 is a right perspective view of a tibial impactor showing our new design;

FIG. 2 is a left perspective view thereof;

FIG. 3 is a top plan view thereof;

FIG. 4 is a bottom plan view thereof;

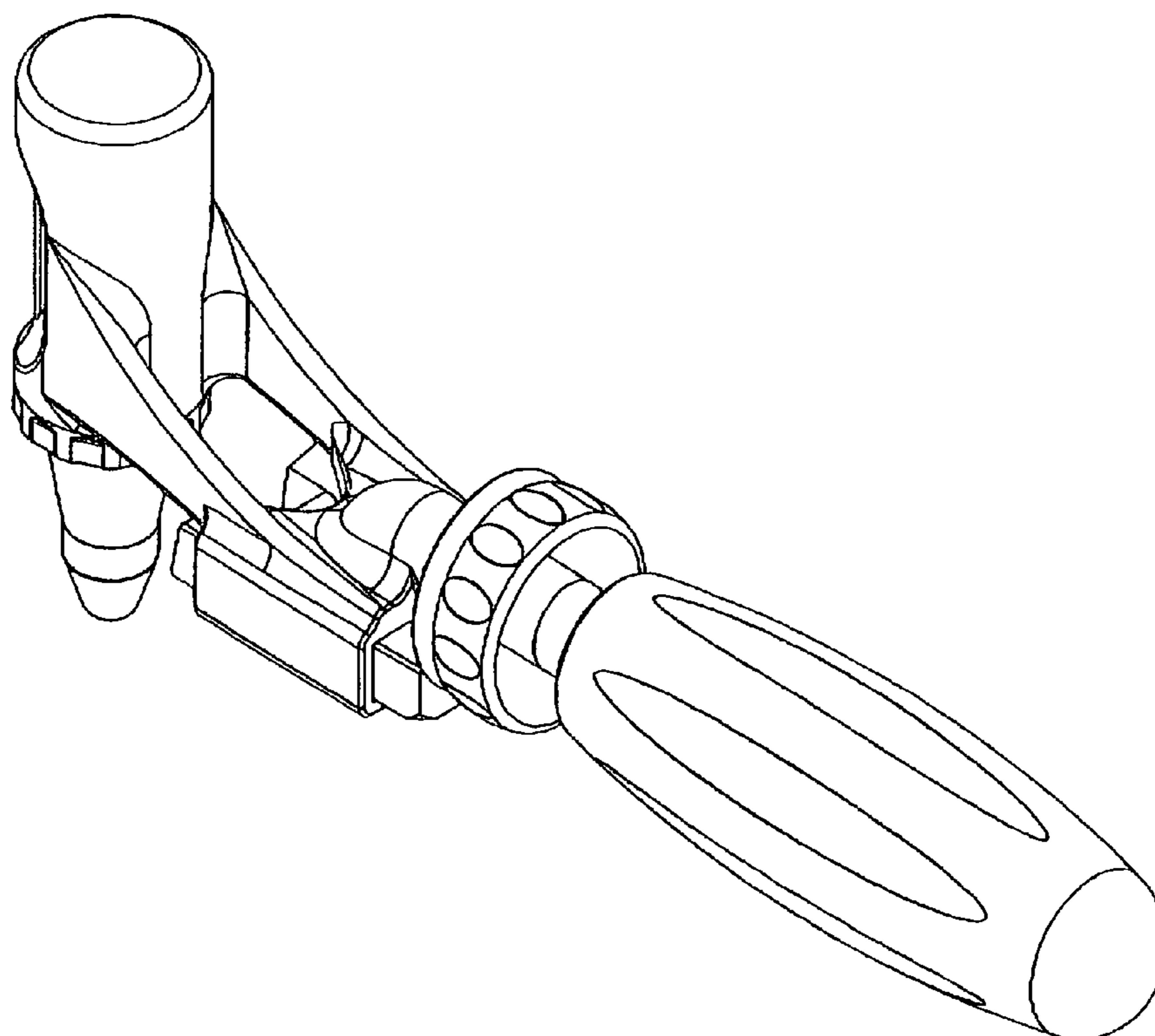
FIG. 5 is a front elevation thereof;

FIG. 6 is a rear elevation thereof;

FIG. 7 is a left side elevation thereof; and,

FIG. 8 is a right side elevation thereof.

1 Claim, 8 Drawing Sheets



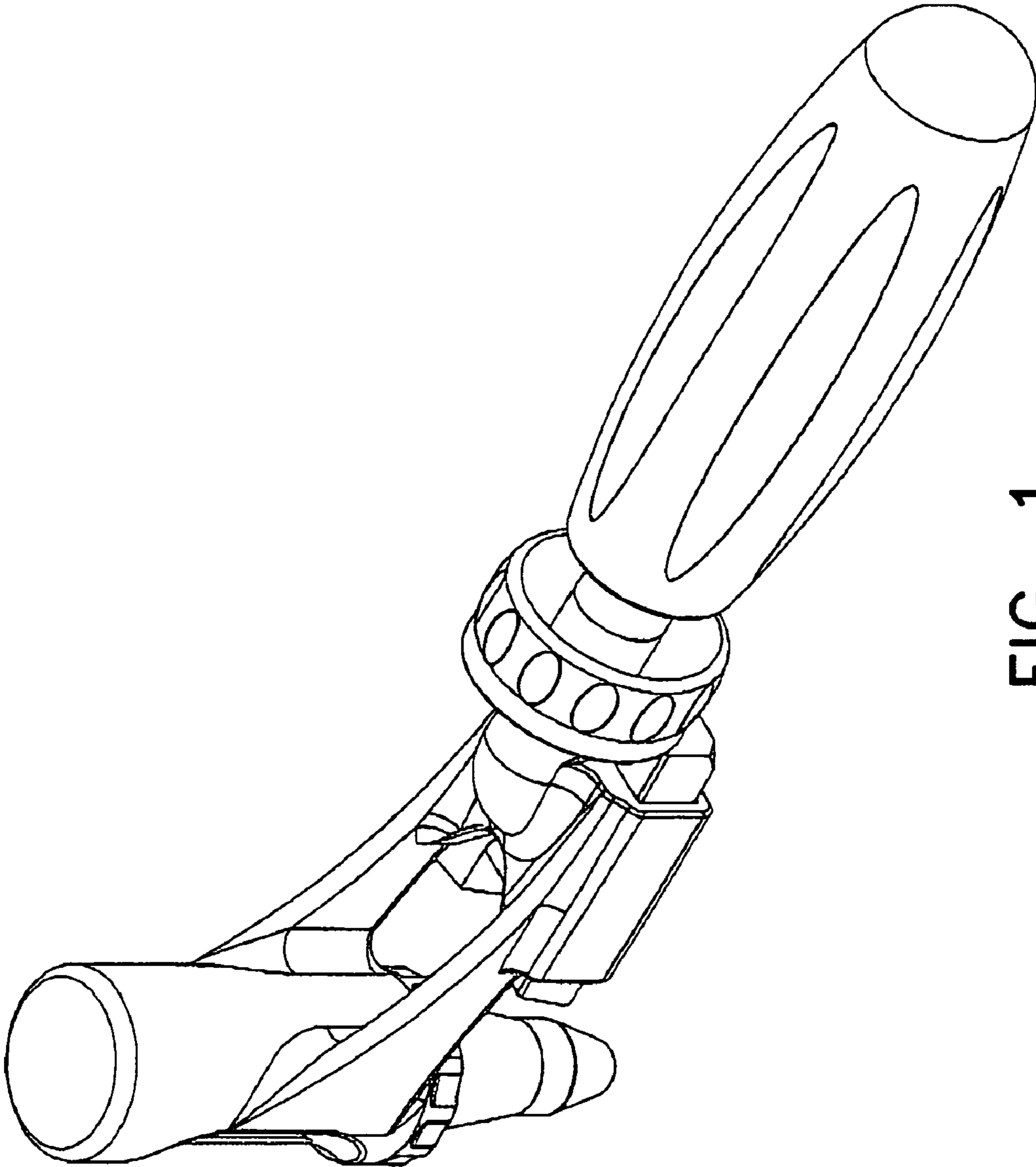


FIG. 1

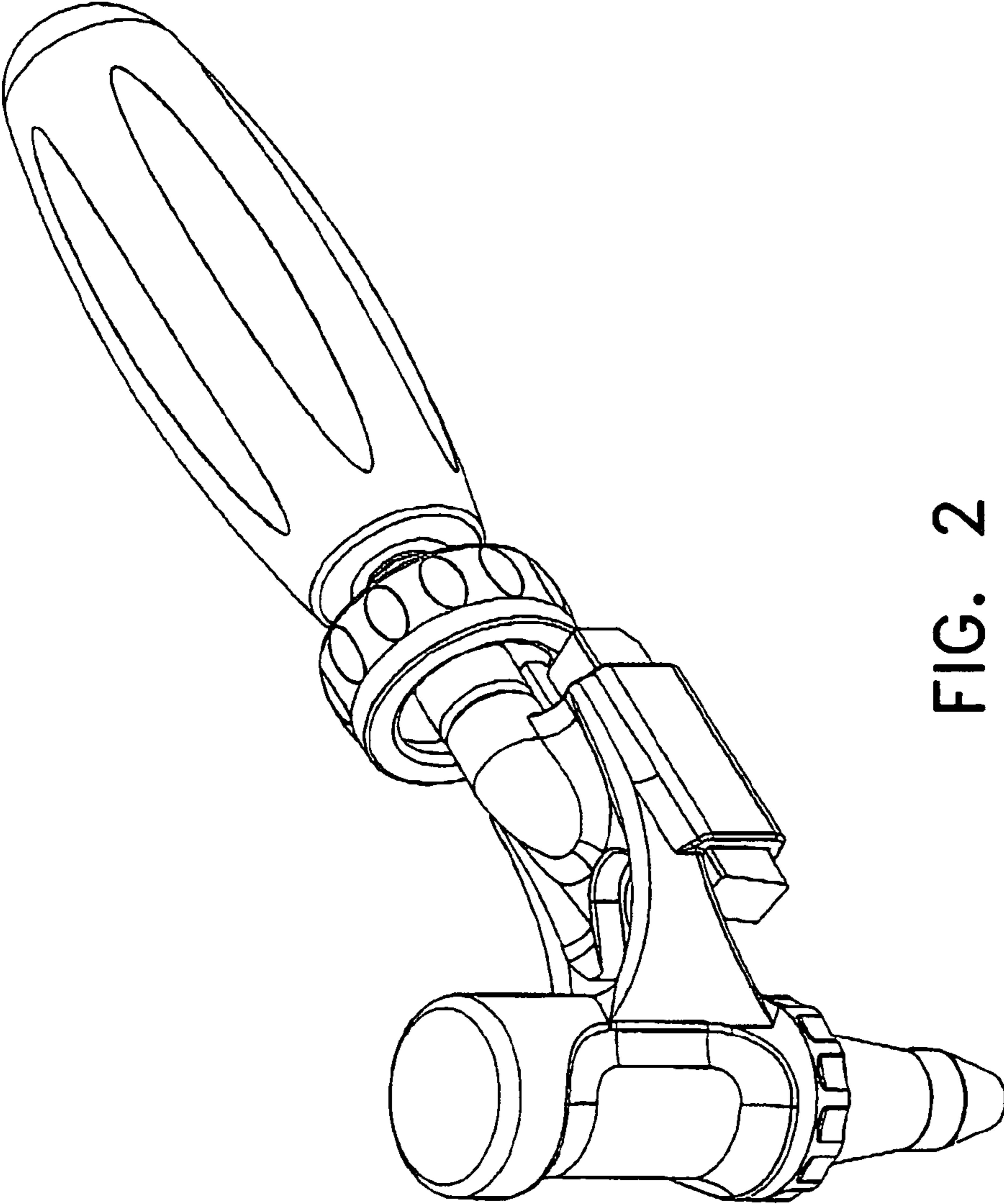


FIG. 2

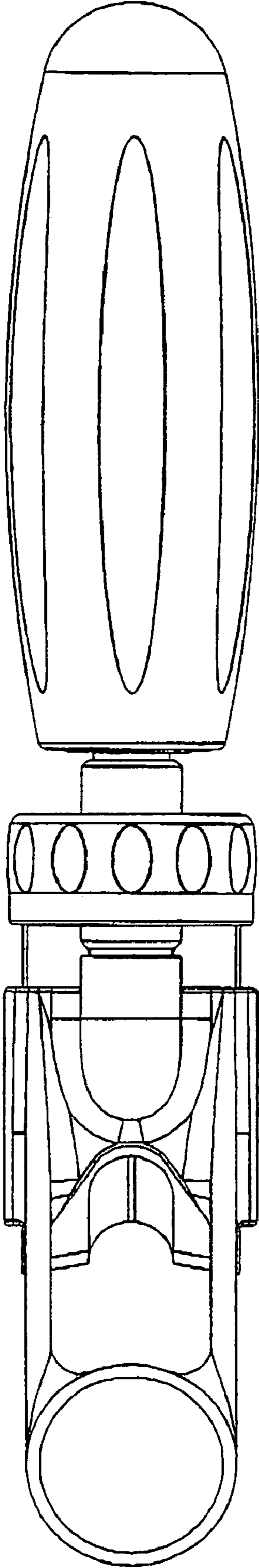


FIG. 3

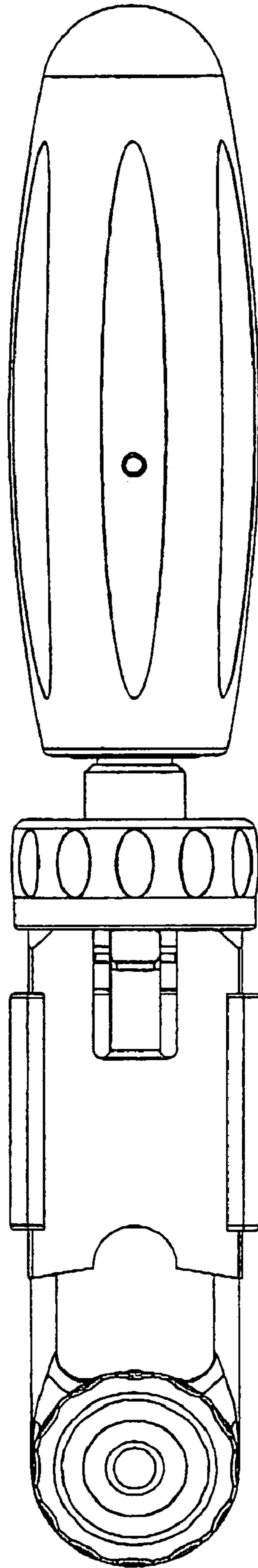


FIG. 4

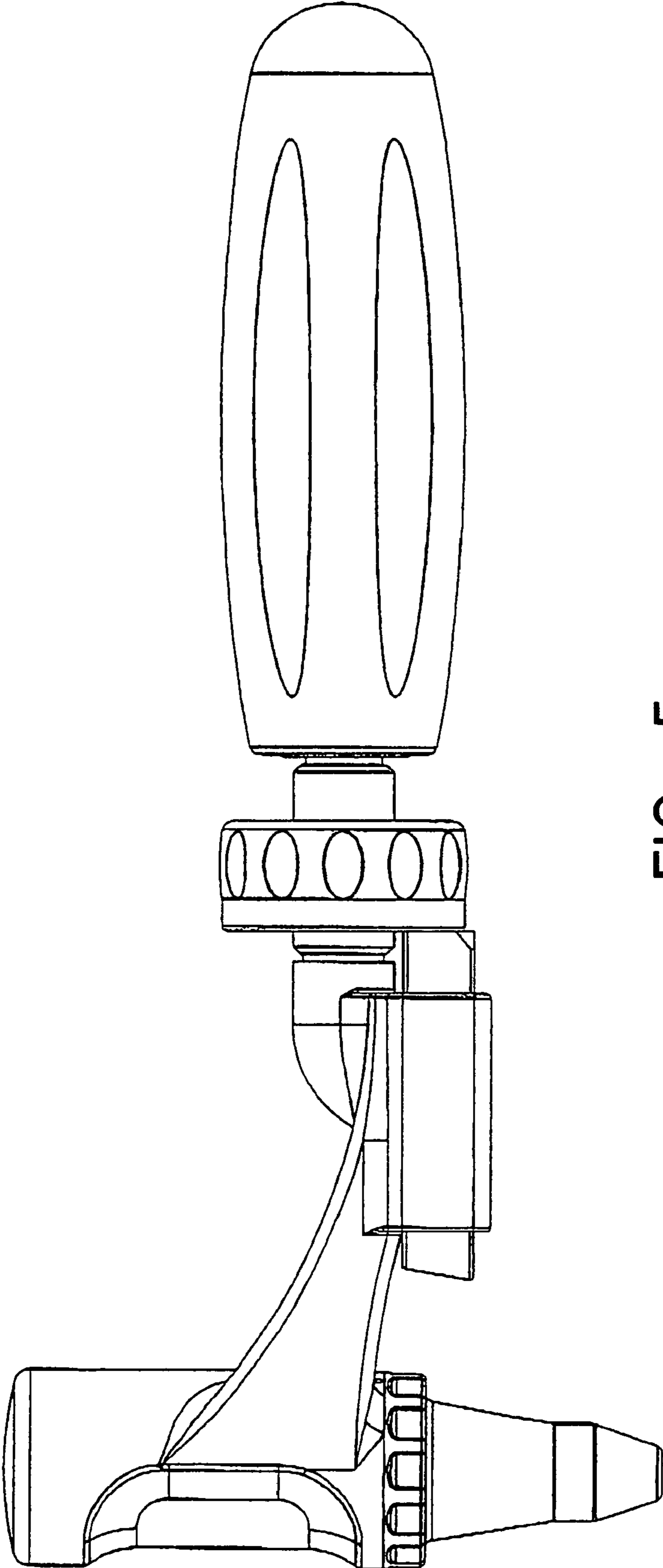


FIG. 5

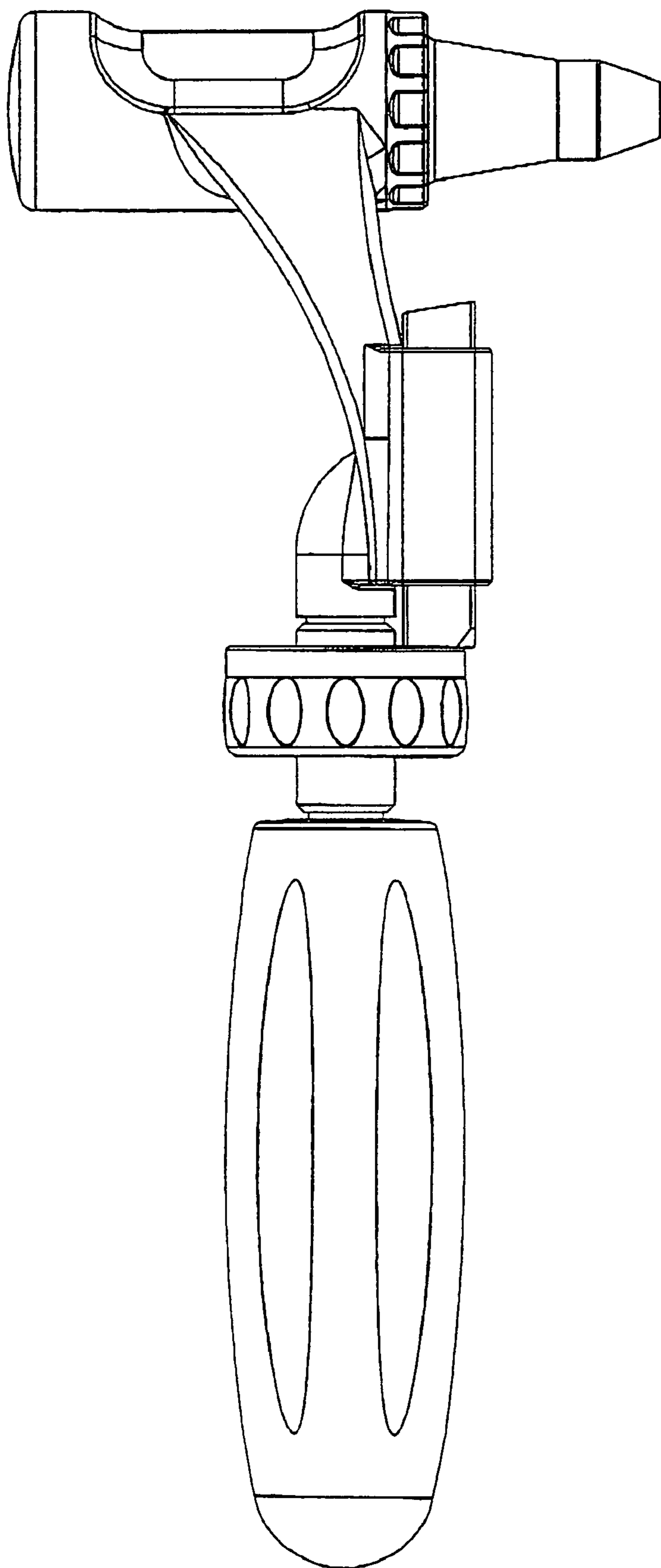


FIG. 6

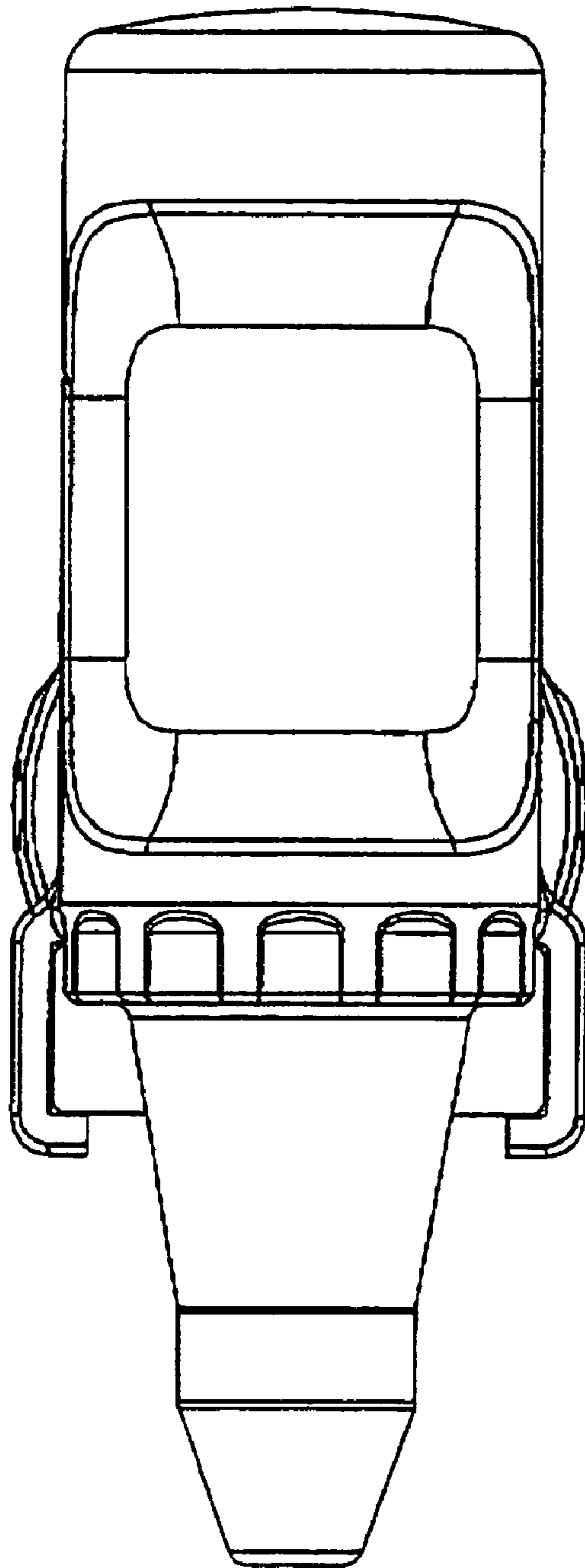


FIG. 7

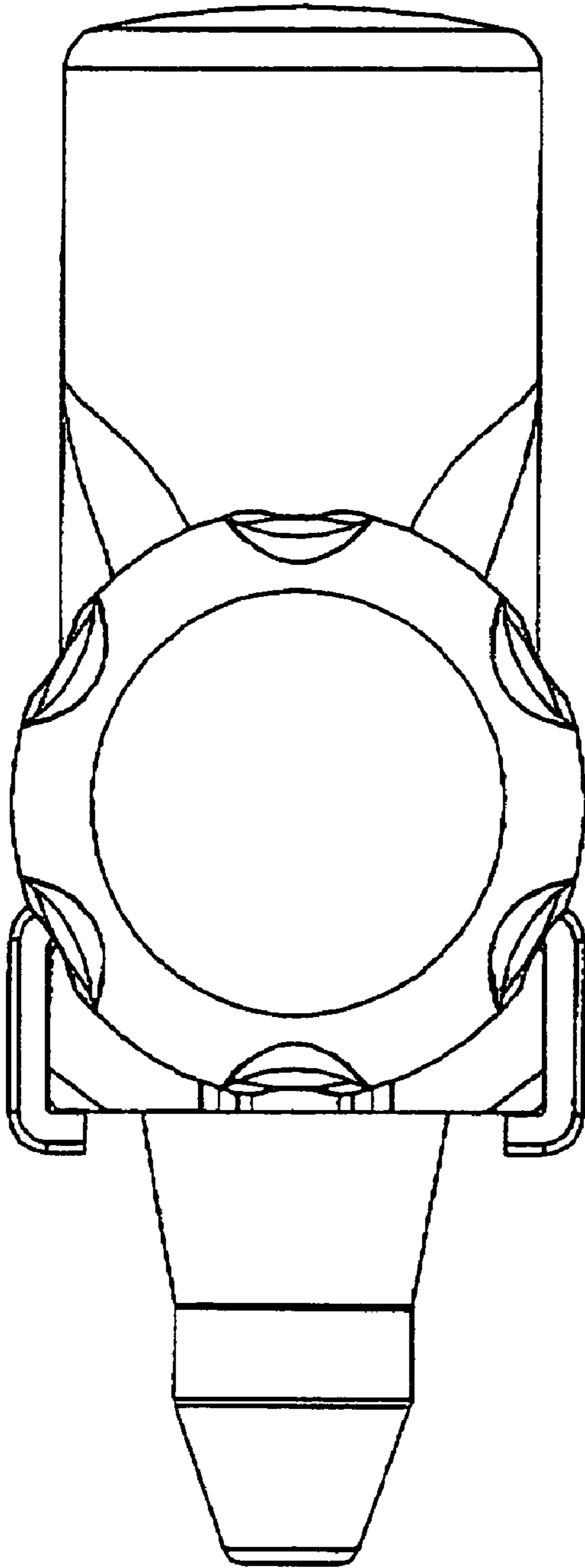


FIG. 8