



US00D566273S

(12) **United States Design Patent**
Gutmann et al.

(10) **Patent No.:** **US D566,273 S**

(45) **Date of Patent:** **** Apr. 8, 2008**

(54) **LANCING DEVICE (MEDICAL INSTRUMENT)**

(75) Inventors: **Peter Gutmann**, Thalweil (CH);
Markus Fischer, Esslingen (DE); **Elias Knubben**, Ostfildern-Nellingen (DE)

(73) Assignee: **Biocomfort GmbH & Co. KG**,
Esslingen (DE)

(**) Term: **14 Years**

(21) Appl. No.: **29/258,327**

(22) Filed: **Apr. 20, 2006**

(30) **Foreign Application Priority Data**

Nov. 14, 2005 (EM) 000430426-0003

(51) **LOC (8) Cl.** **24-02**

(52) **U.S. Cl.** **D24/146**

(58) **Field of Classification Search** D24/146,
D24/147, 114, 113, 186, 169; D14/356;
606/181, 182, 184, 185; 600/583, 573
See application file for complete search history.

(56) **References Cited**

U.S. PATENT DOCUMENTS

D369,864 S * 5/1996 Petersen D24/169

D542,788 S * 5/2007 Gutmann et al. D14/356
D546,454 S * 7/2007 Gutmann et al. D24/169
D549,830 S * 8/2007 Behar et al. D24/186
D550,363 S * 9/2007 Hannant et al. D24/186

* cited by examiner

Primary Examiner—Ian Simmons

Assistant Examiner—Christopher Lee

(74) *Attorney, Agent, or Firm*—Hoffmann & Baron, LLP

(57) **CLAIM**

The ornamental design for a lancing device (medical instrument), as shown and described.

DESCRIPTION

FIG. 1 is a perspective view of a medical lancing device showing our new design;

FIG. 2 is a front elevation view thereof;

FIG. 3 is a back elevation view thereof;

FIG. 4 is a top elevation view thereof;

FIG. 5 is a bottom elevation view thereof;

FIG. 6 is a left side elevation view thereof; and,

FIG. 7 is a right side elevation view thereof.

1 Claim, 4 Drawing Sheets

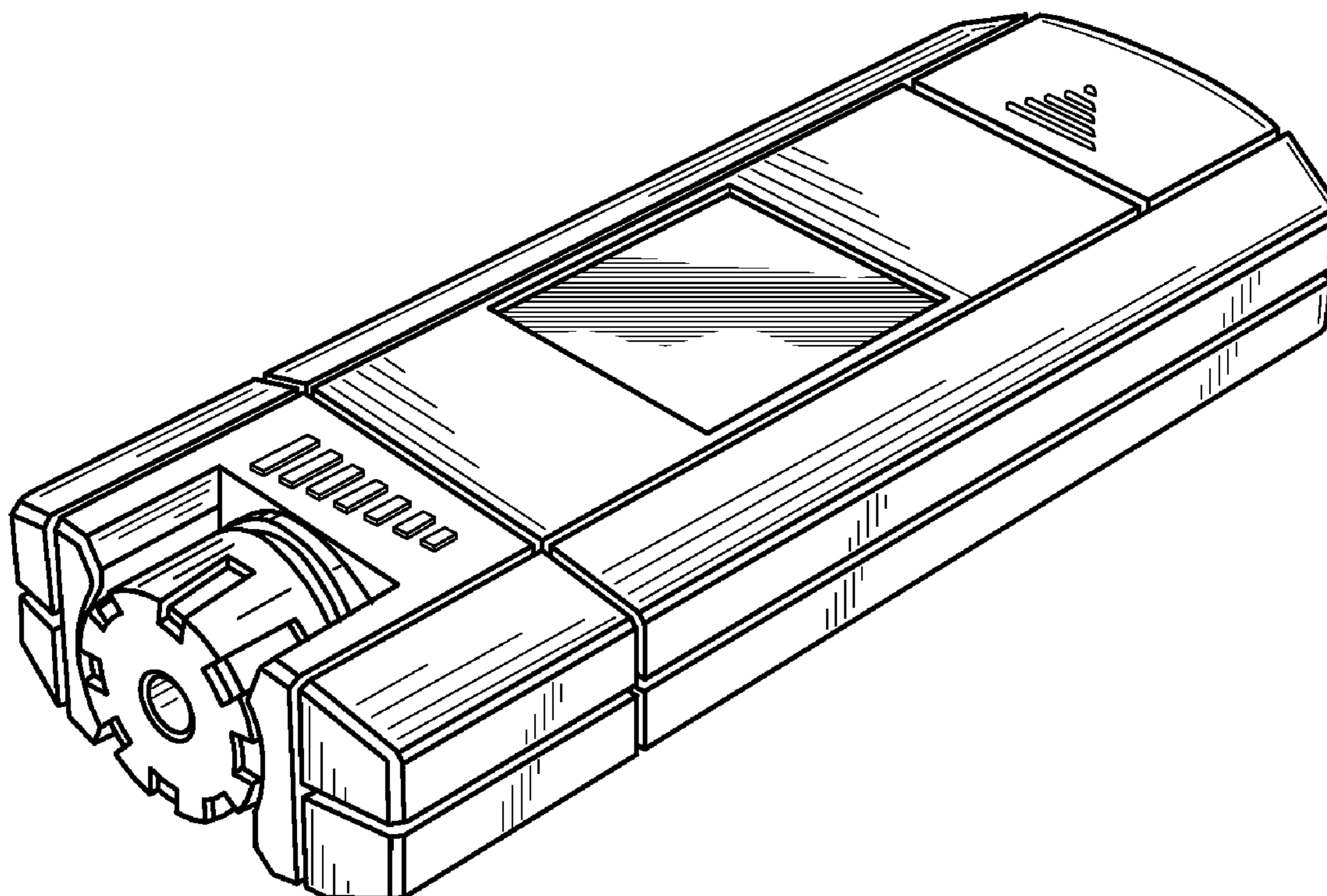


FIG. 1

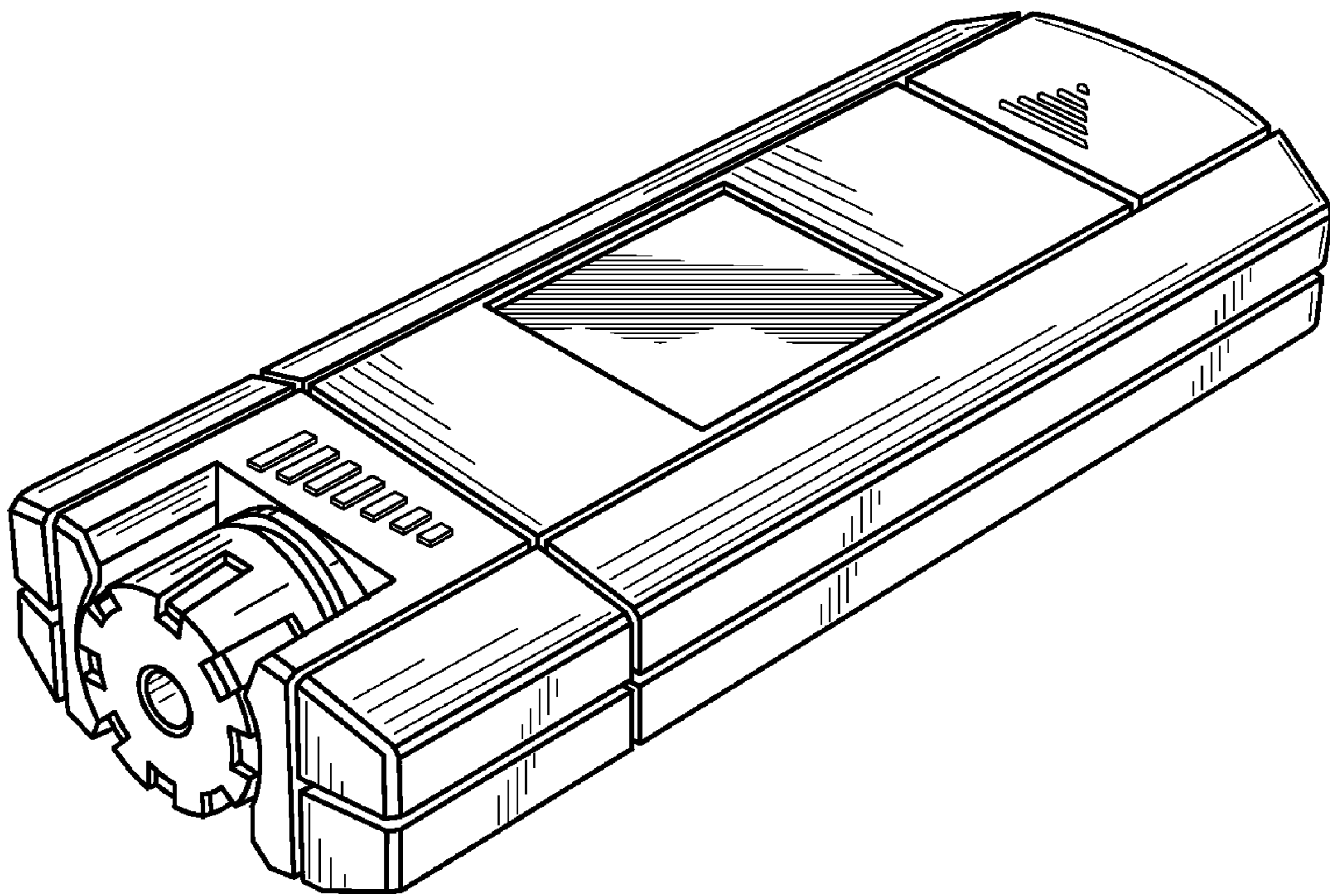


FIG. 2

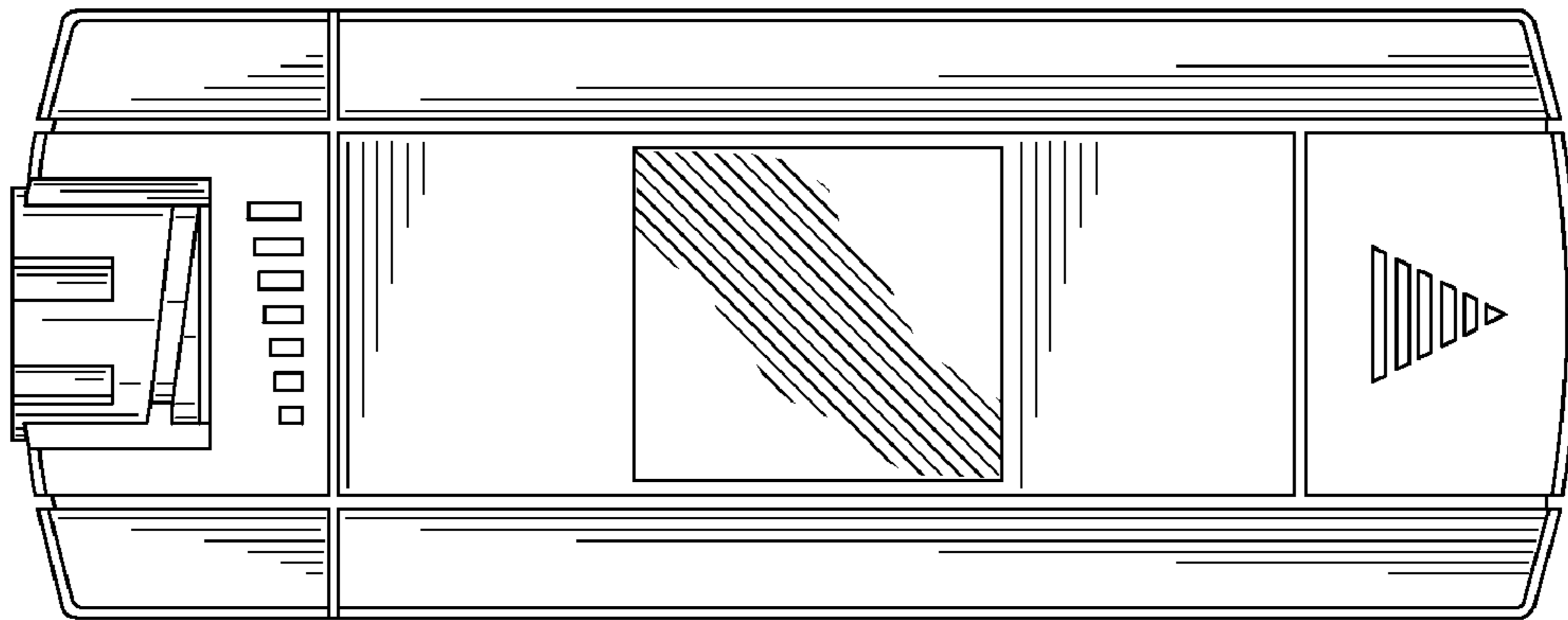


FIG. 3

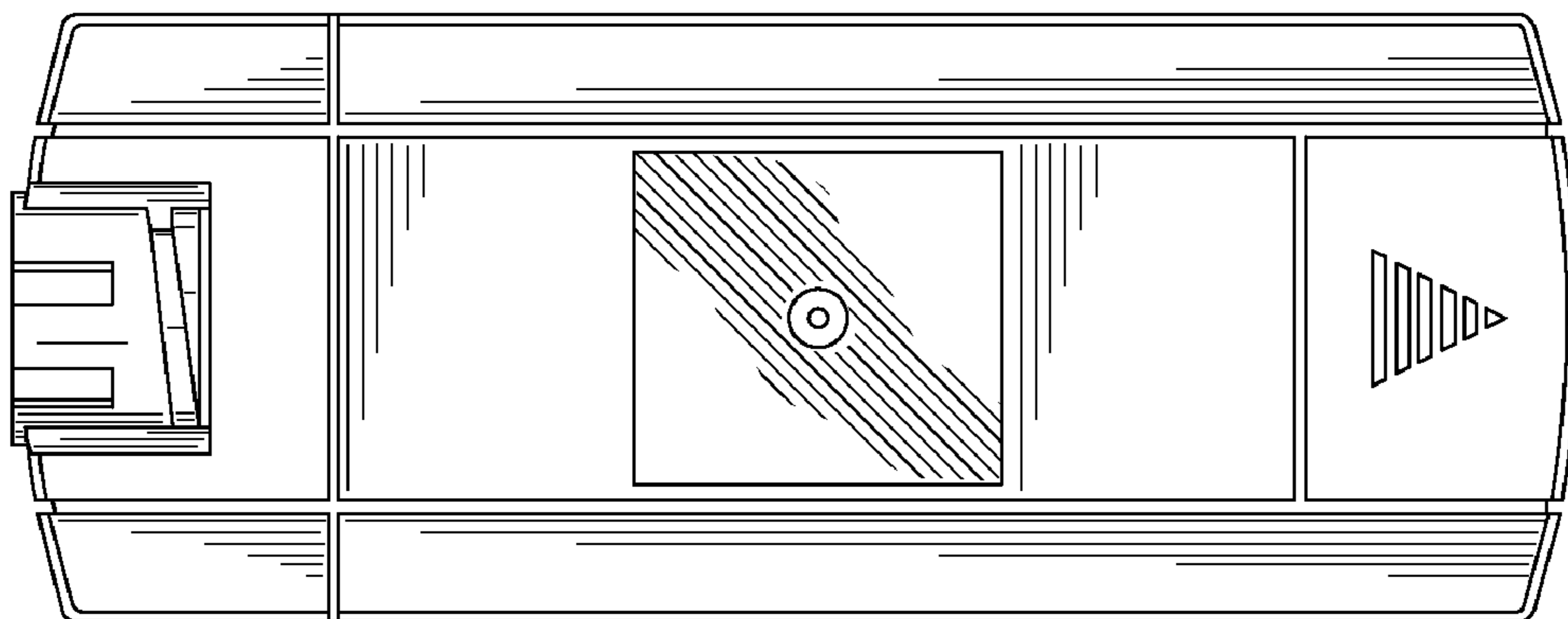


FIG. 4

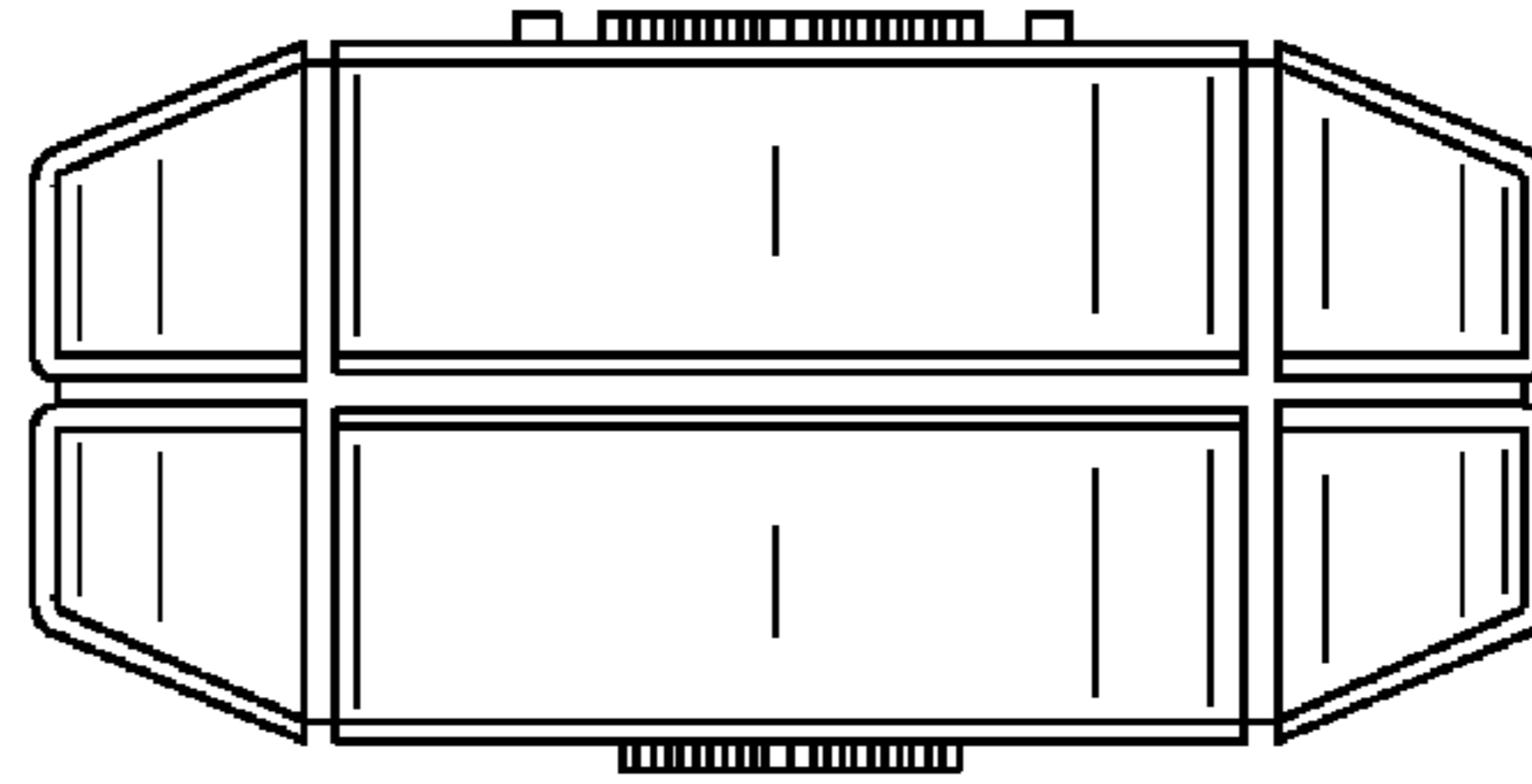


FIG. 5

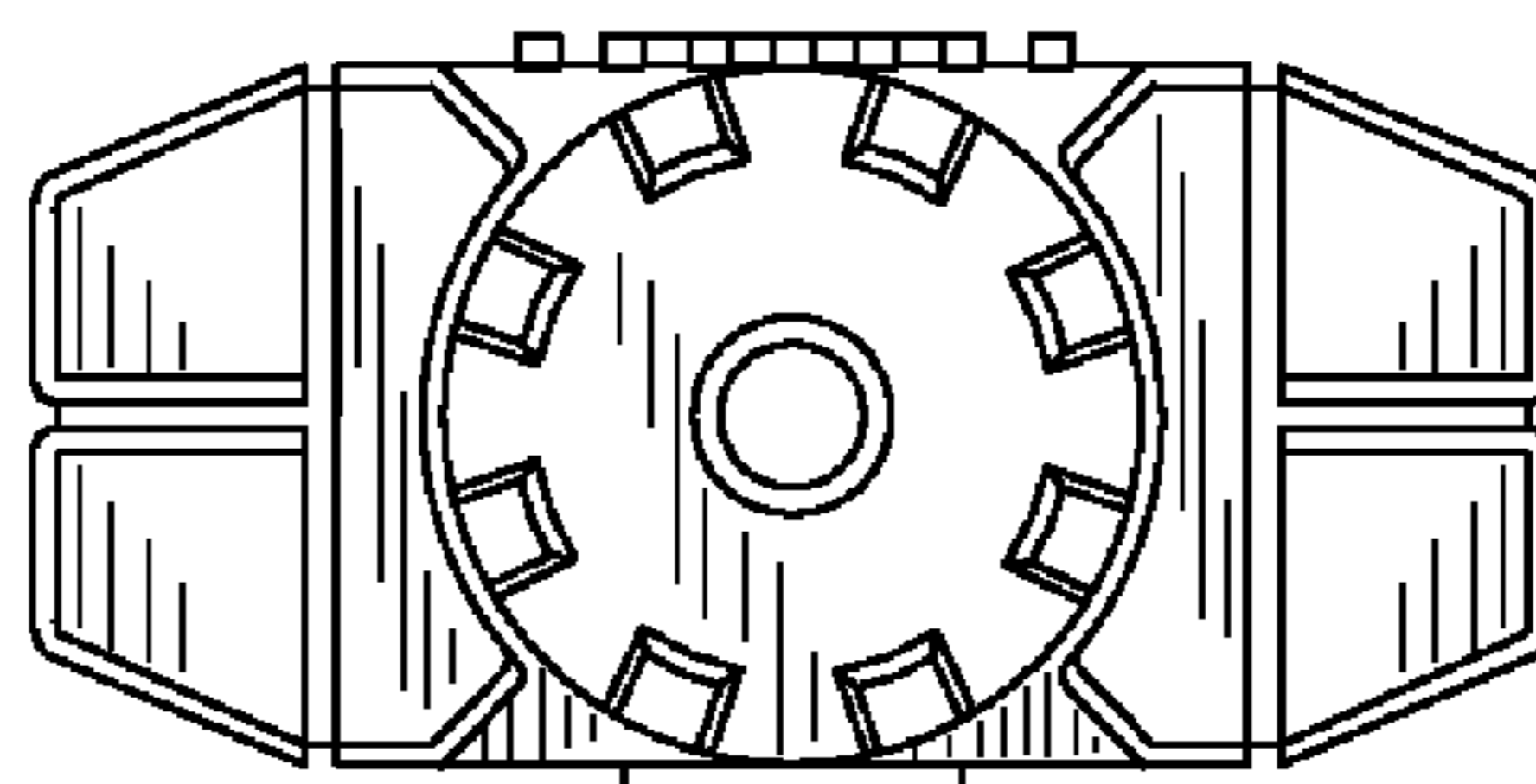


FIG. 6



FIG. 7

