



US00D566272S

(12) **United States Design Patent**  
**Walburg et al.**

(10) **Patent No.: US D566,272 S**

(45) **Date of Patent: \*\* \*Apr. 8, 2008**

(54) **VESSEL CLOSURE DEVICE**

(75) Inventors: **Erik Walburg**, Redwood City, CA (US); **Brian Ellingwood**, Sunnyvale, CA (US); **Tim Reynolds**, Sunnyvale, CA (US); **Anthony Pantages**, San Jose, CA (US)

(73) Assignee: **Integrated Vascular Systems, Inc.**, Sunnyvale, CA (US)

(\*) Notice: This patent is subject to a terminal disclaimer.

(\*\*) Term: **14 Years**

(21) Appl. No.: **29/230,479**

(22) Filed: **May 19, 2005**

(51) **LOC (8) Cl.** ..... **24-02**

(52) **U.S. Cl.** ..... **D24/145; D24/143; D24/146; D24/147**

(58) **Field of Classification Search** ..... D24/145, D24/143, 144, 153, 146, 147; 606/205, 206, 606/207, 208, 167, 22, 69

See application file for complete search history.

(56) **References Cited**

**U.S. PATENT DOCUMENTS**

D383,539 S \* 9/1997 Croley ..... D24/143  
6,024,750 A \* 2/2000 Mastri et al. .... 606/169

D457,958 S \* 5/2002 Dycus et al. .... D24/144  
6,458,130 B1 \* 10/2002 Frazier et al. .... 606/51  
6,500,115 B2 \* 12/2002 Krattiger et al. .... 600/173  
2003/0065358 A1 \* 4/2003 Frecker et al. .... 606/205

\* cited by examiner

*Primary Examiner*—Ian Simmons

*Assistant Examiner*—Christopher Lee

(74) *Attorney, Agent, or Firm*—Workman Nydegger

(57) **CLAIM**

The ornamental design for a vessel closure device, as shown.

**DESCRIPTION**

FIG. 1 is an isometric view of the ornamental handle design for the closure device in accordance with the present invention;

FIG. 2 is a right side view of the vessel closure device in accordance with the present invention;

FIG. 3 is a left side view of the vessel closure device in accordance with the present invention;

FIG. 4 is a top view of the ornamental handle design for the closure device in accordance with the present invention;

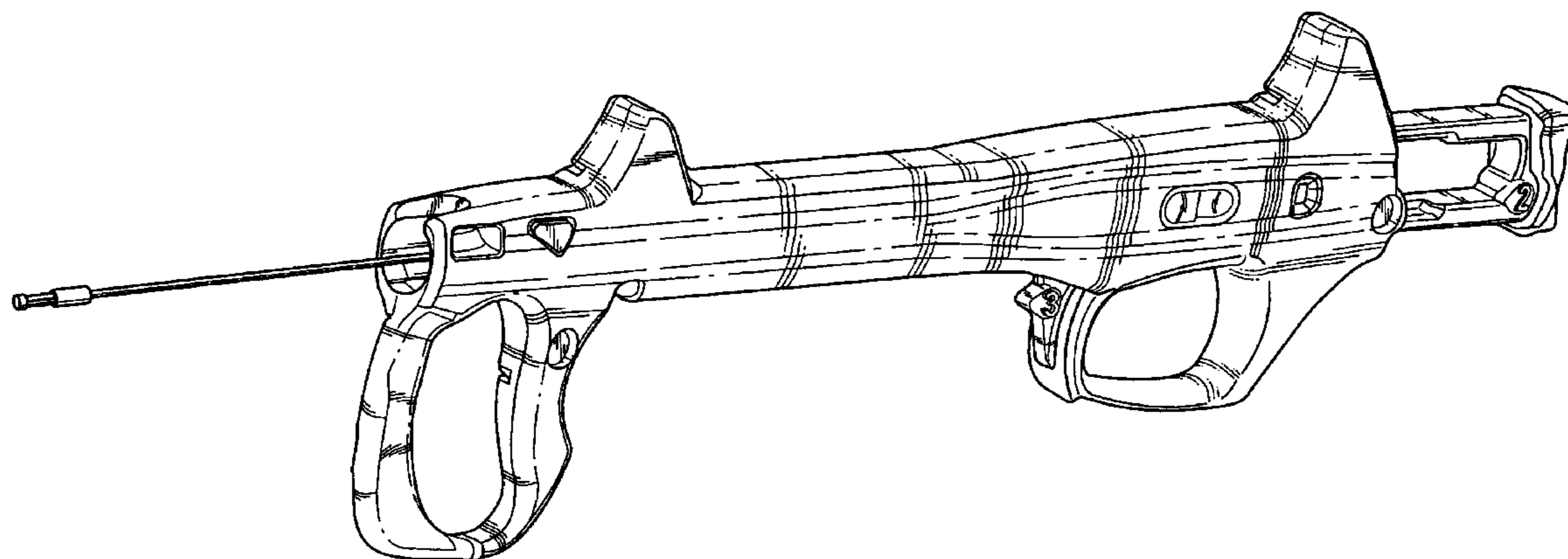
FIG. 5 is a bottom view of the ornamental handle design for the closure device in accordance with the present invention;

FIG. 6 is a front view of the ornamental handle design for the closure device in accordance with the present invention;

and,

FIG. 7 is a back view of the ornamental handle design for the closure device in accordance with the present invention.

**1 Claim, 4 Drawing Sheets**



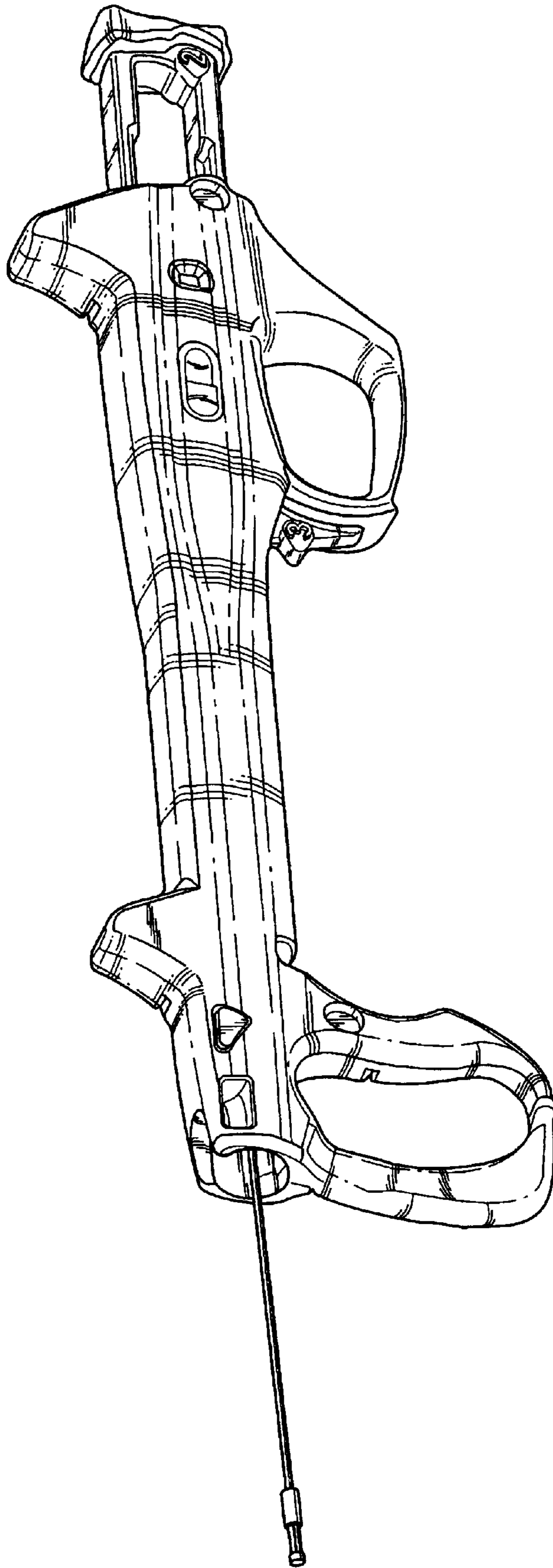


Fig. 1

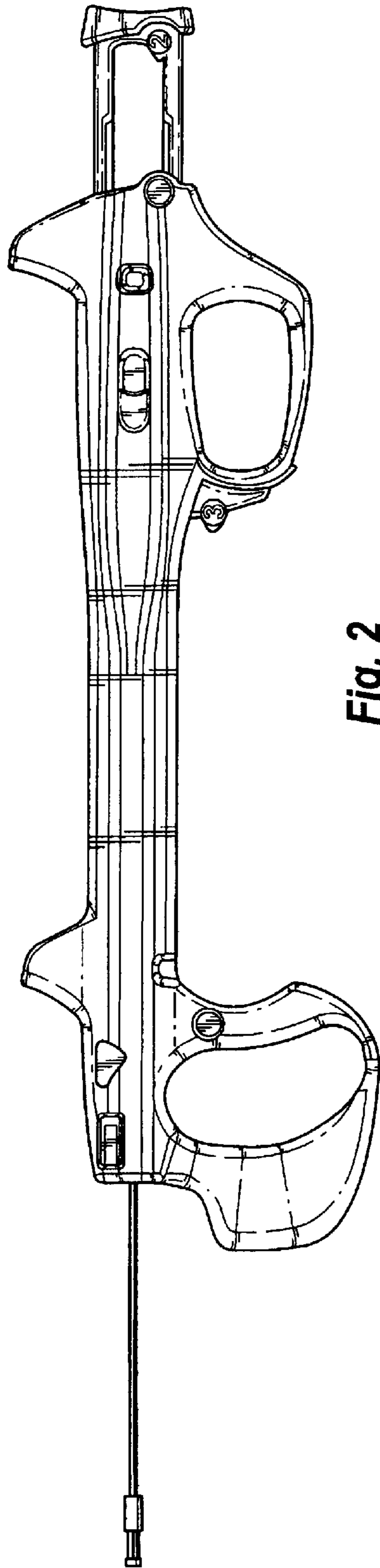


Fig. 2

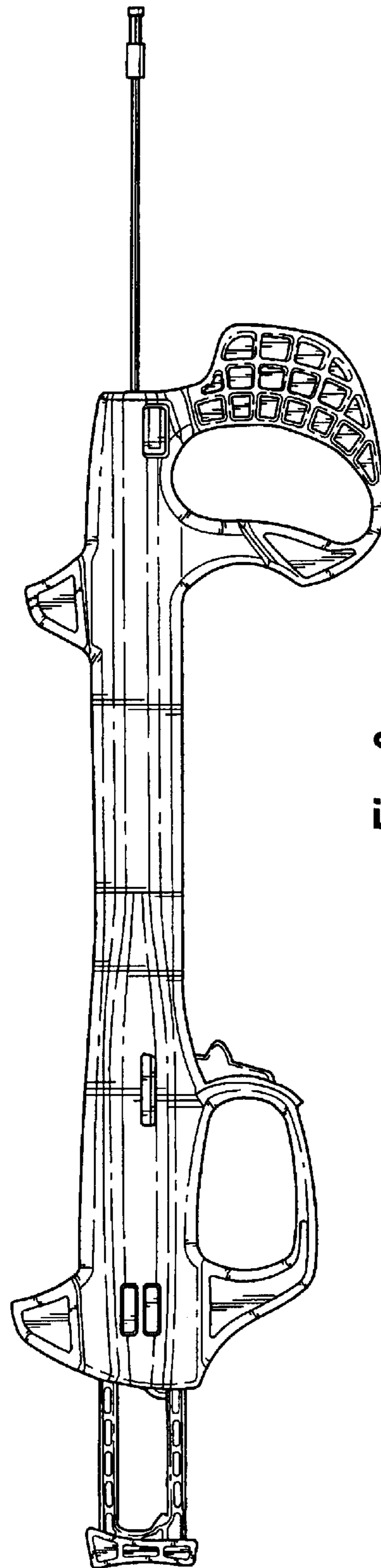
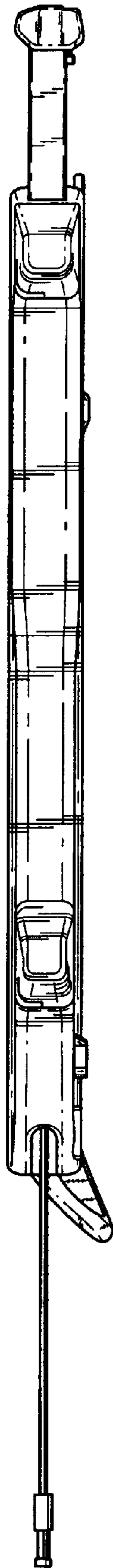


Fig. 3



**Fig. 4**



**Fig. 5**

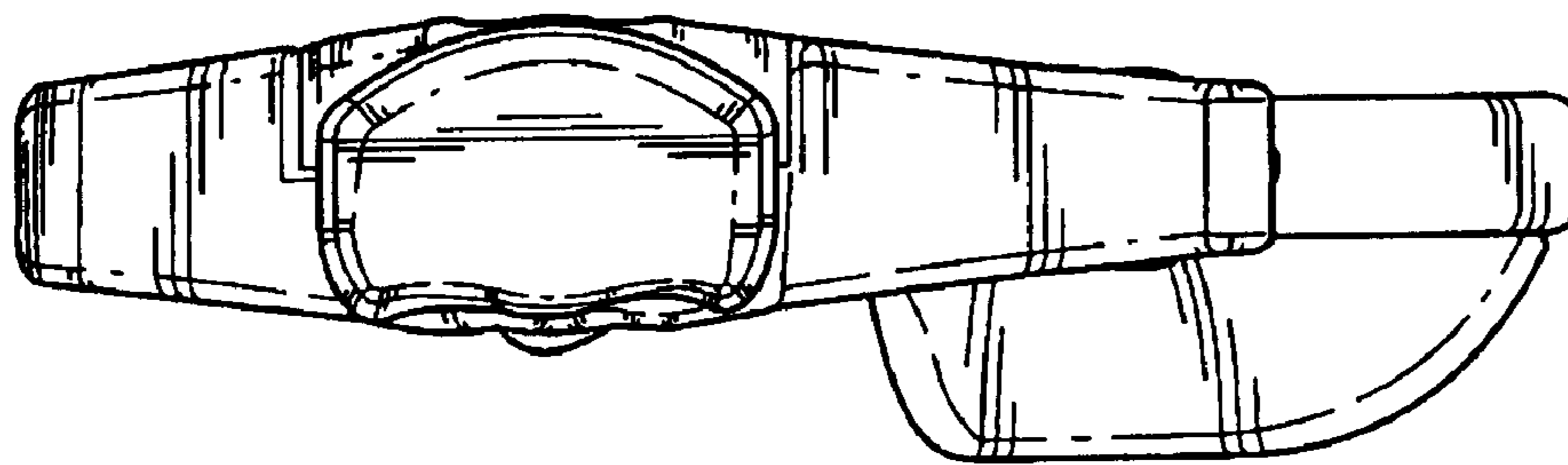


Fig. 7

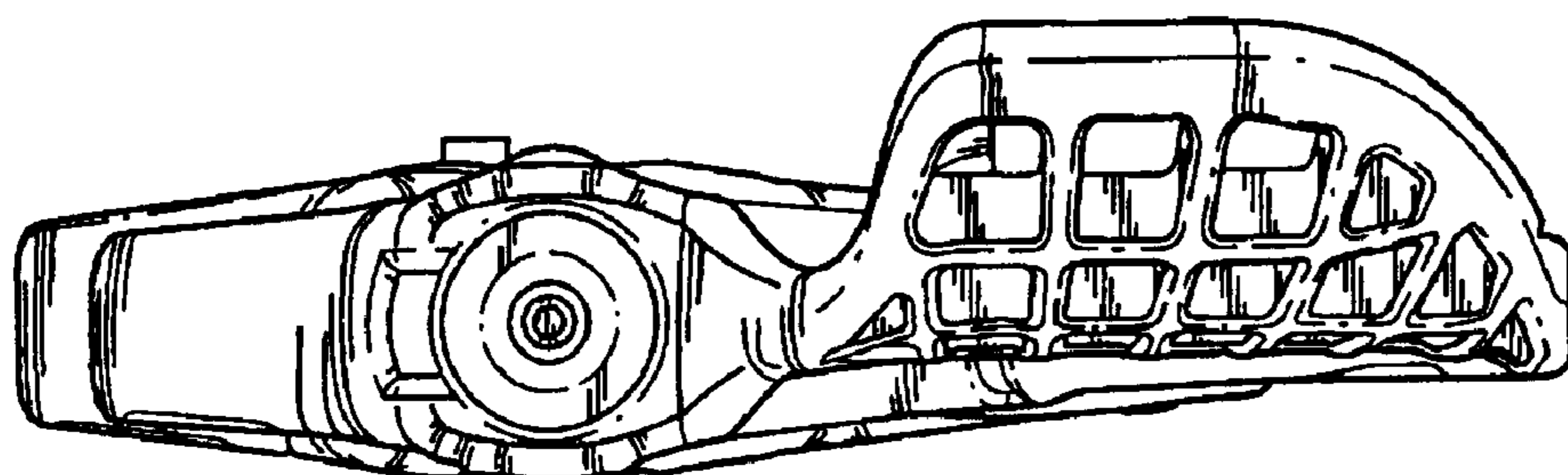


Fig. 6