



US00D566271S

(12) **United States Design Patent**
Gao et al.

(10) **Patent No.:** **US D566,271 S**
(45) **Date of Patent:** **** Apr. 8, 2008**

(54) **COMBINED DISTRACTOR AND COMPRESSOR MEDICAL INSTRUMENT**

(75) Inventors: **Hua Gao**, Fox Point, WI (US); **Joseph A. Post**, Burlington, WI (US)

(73) Assignee: **Bradshaw Medical, Inc.**, Kenosha, WI (US)

(**) Term: **14 Years**

(21) Appl. No.: **29/269,065**

(22) Filed: **Nov. 20, 2006**

(51) **LOC (8) Cl.** **24-02**

(52) **U.S. Cl.** **D24/143**

(58) **Field of Classification Search** D24/133,
D24/135, 143, 147; 600/190, 197, 216, 218–219,
600/225, 222, 244; 606/53–54, 57, 86–88,
606/90, 99, 105, 205–208

See application file for complete search history.

(56) **References Cited**

U.S. PATENT DOCUMENTS

D363,545 S *	10/1995	Miller	D24/143
D488,229 S	4/2004	Rinner		
D493,889 S *	8/2004	Koo	D24/133
D509,589 S *	9/2005	Wells	D24/145
7,014,617 B2 *	3/2006	Grinberg	606/105
2005/0010213 A1 *	1/2005	Stad et al.	606/53
2006/0074432 A1 *	4/2006	Stad et al.	606/90
2007/0100347 A1 *	5/2007	Stad et al.	606/90

* cited by examiner

Primary Examiner—Charles A. Rademaker

Assistant Examiner—Wan Laymon

(74) *Attorney, Agent, or Firm*—Arthur J. Hansmann

(57) **CLAIM**

The ornamental design for a combined distractor and compressor medical instrument, as shown and described.

DESCRIPTION

FIG. 1 is a front perspective view of a combined distractor and compressor medical instrument showing our new design, in the distractor position;

FIG. 2 is a top plan view thereof;

FIG. 3 is a bottom plan view thereof;

FIG. 4 is a front elevation view thereof;

FIG. 5 is a left side elevation view thereof;

FIG. 6 is a right side elevation view thereof;

FIG. 7 is a back elevation view thereof;

FIG. 8 is a front elevation thereof with a part shown in as alternate position;

FIG. 9 is a front perspective view of the combined distractor and compressor medical instrument, in the compressor position;

FIG. 10 is a top plan view of FIG. 9;

FIG. 11 is a bottom plan view of FIG. 9;

FIG. 12 is a front elevation view thereof with parts shown in the positions shown in FIG. 9; and

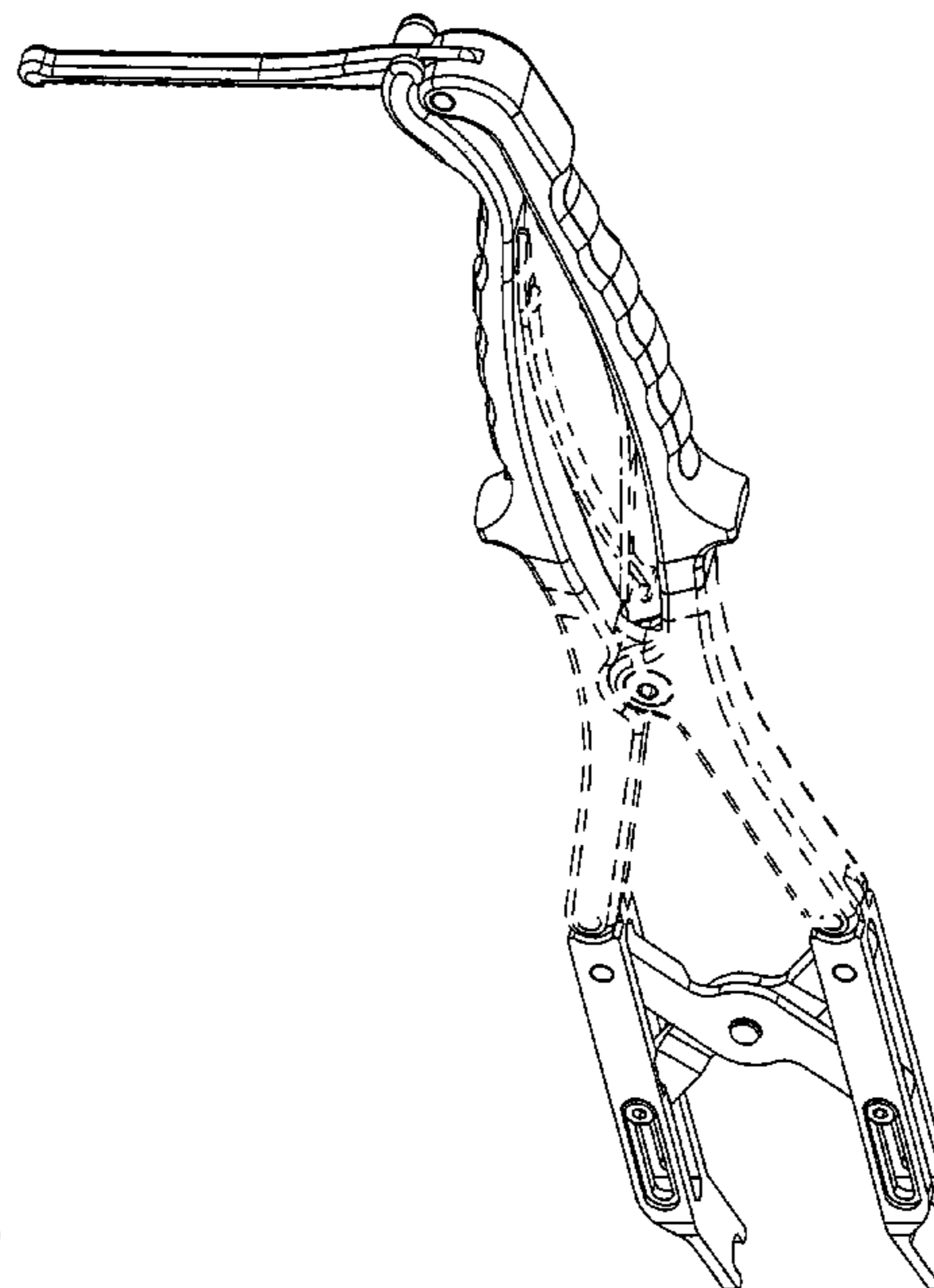
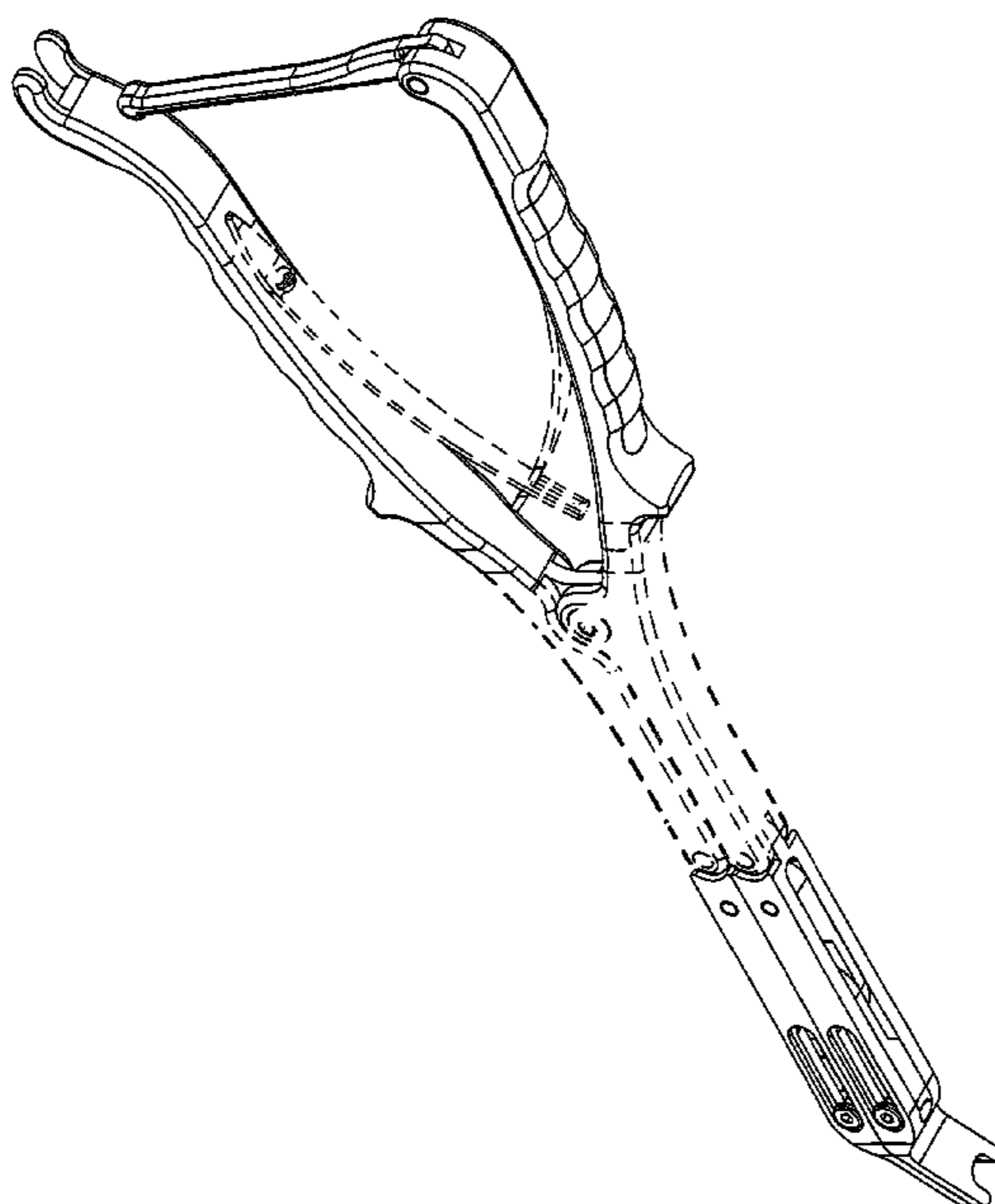
FIG. 13 is a left side elevation view of FIG. 9;

FIG. 14 is a rear elevation view of FIG. 9; and,

FIG. 15 is a right side elevation view thereof.

The broken line showing of the combined distractor and compressor medical instrument is for illustrative purposes only and forms no part of the claimed design.

1 Claim, 7 Drawing Sheets



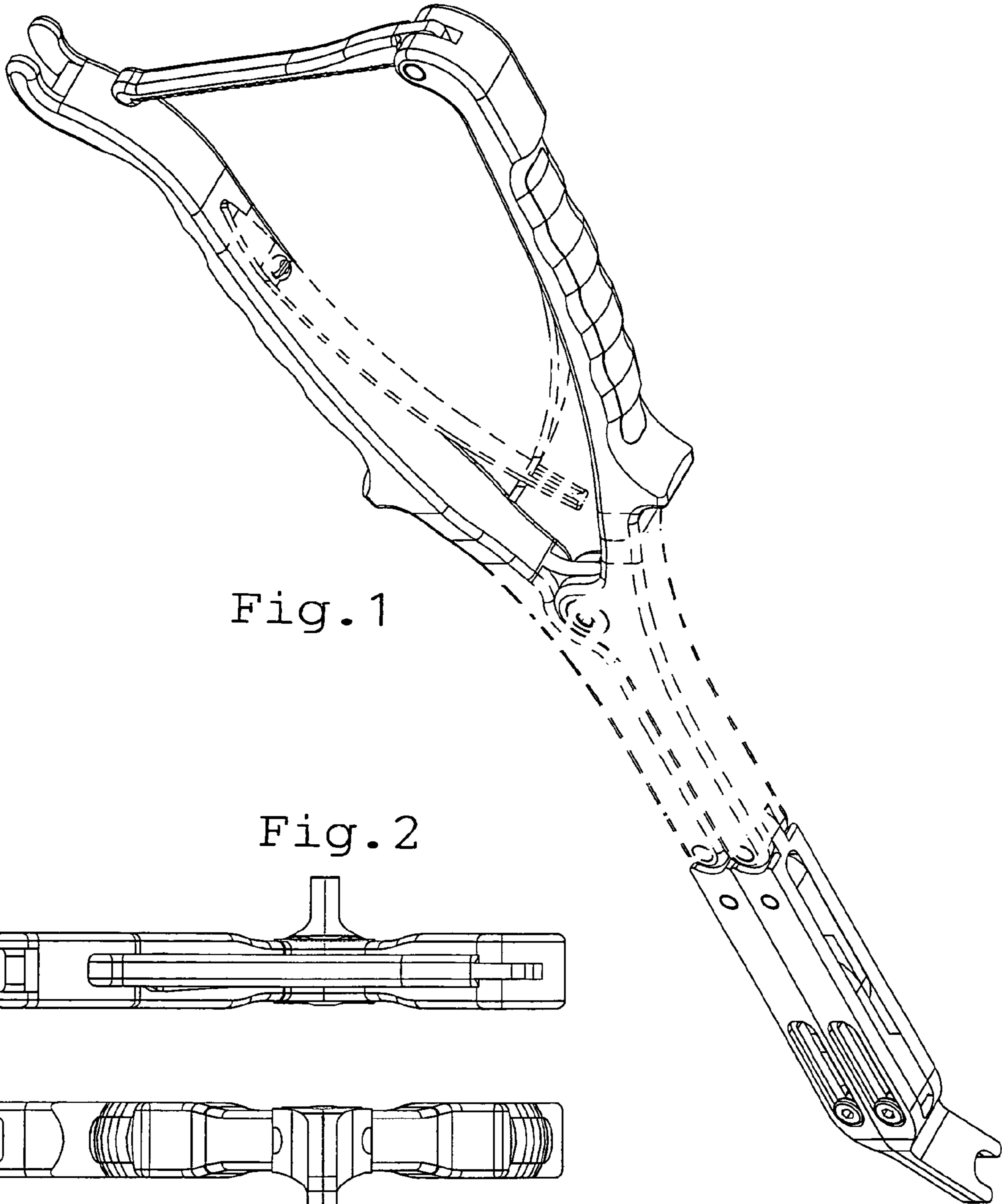


Fig. 1

Fig. 2

Fig. 3

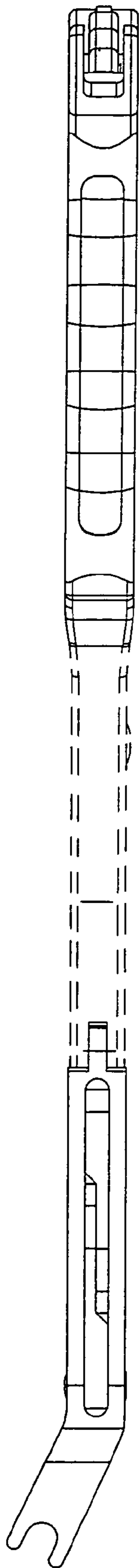


Fig. 5

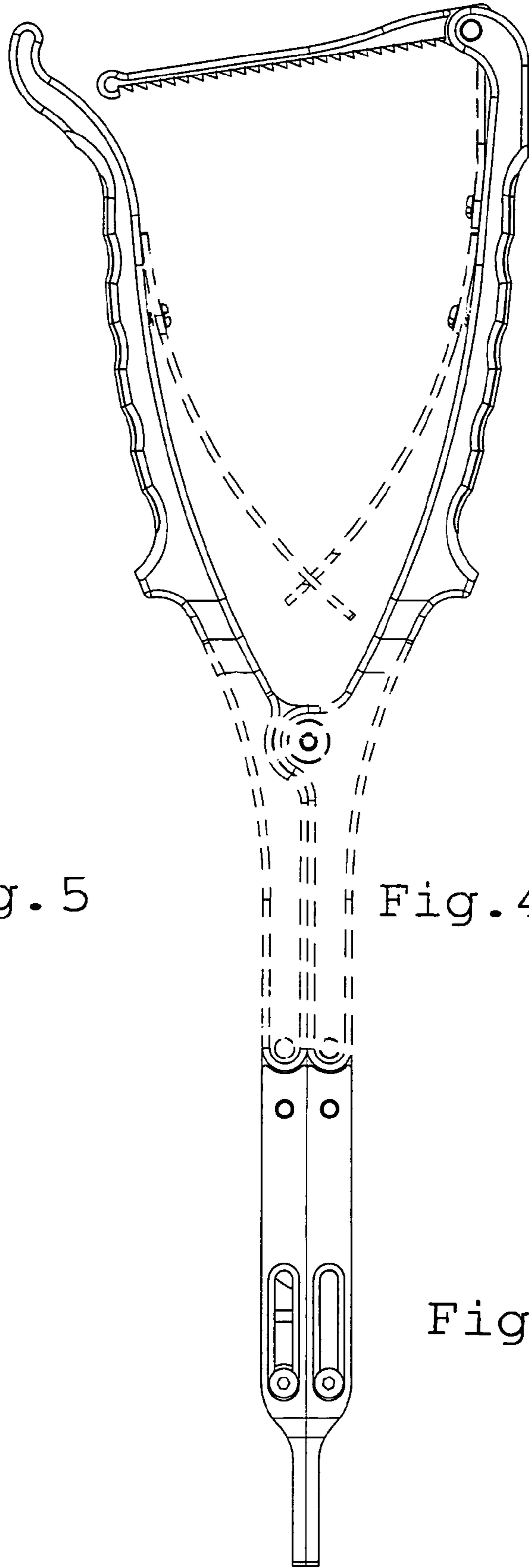


Fig. 4

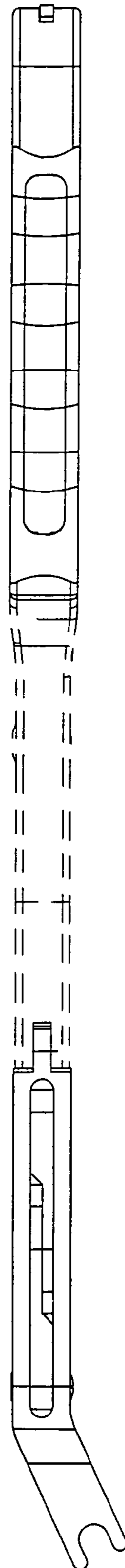


Fig. 6

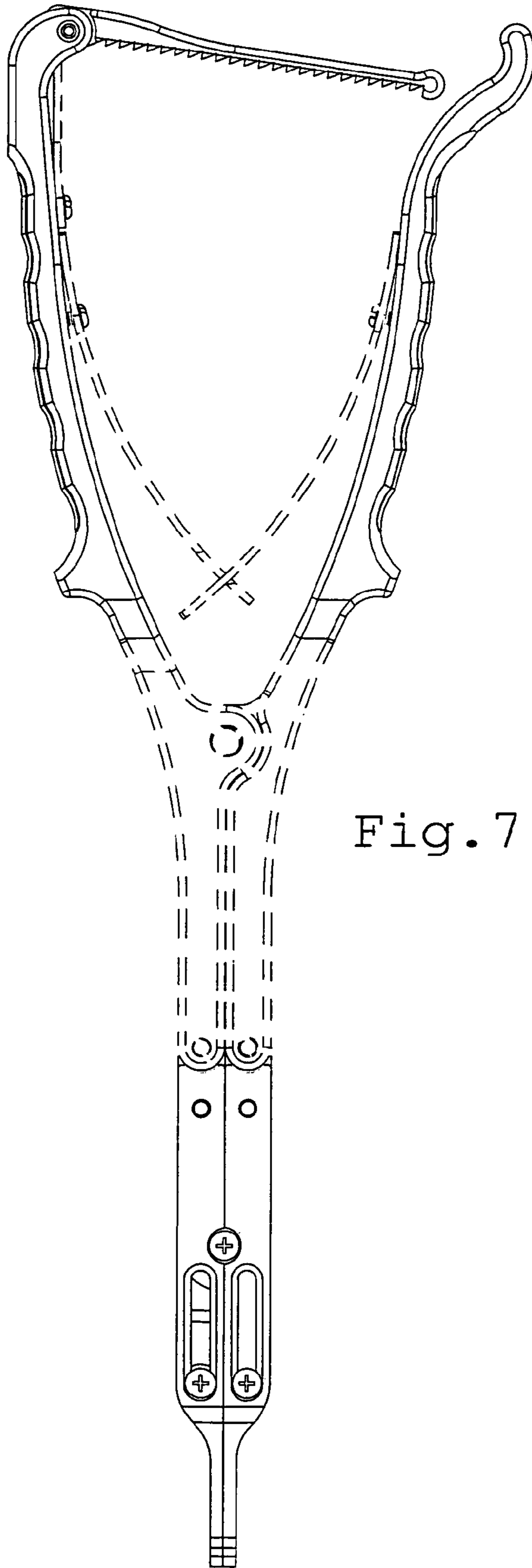


Fig. 7

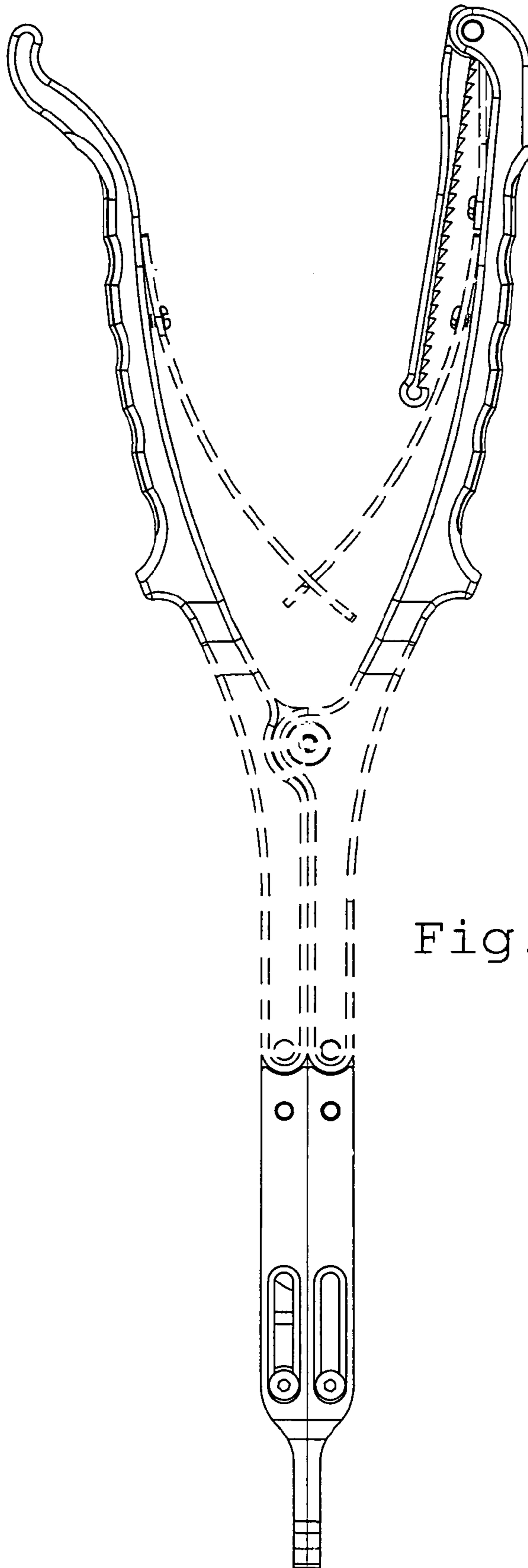


Fig. 8

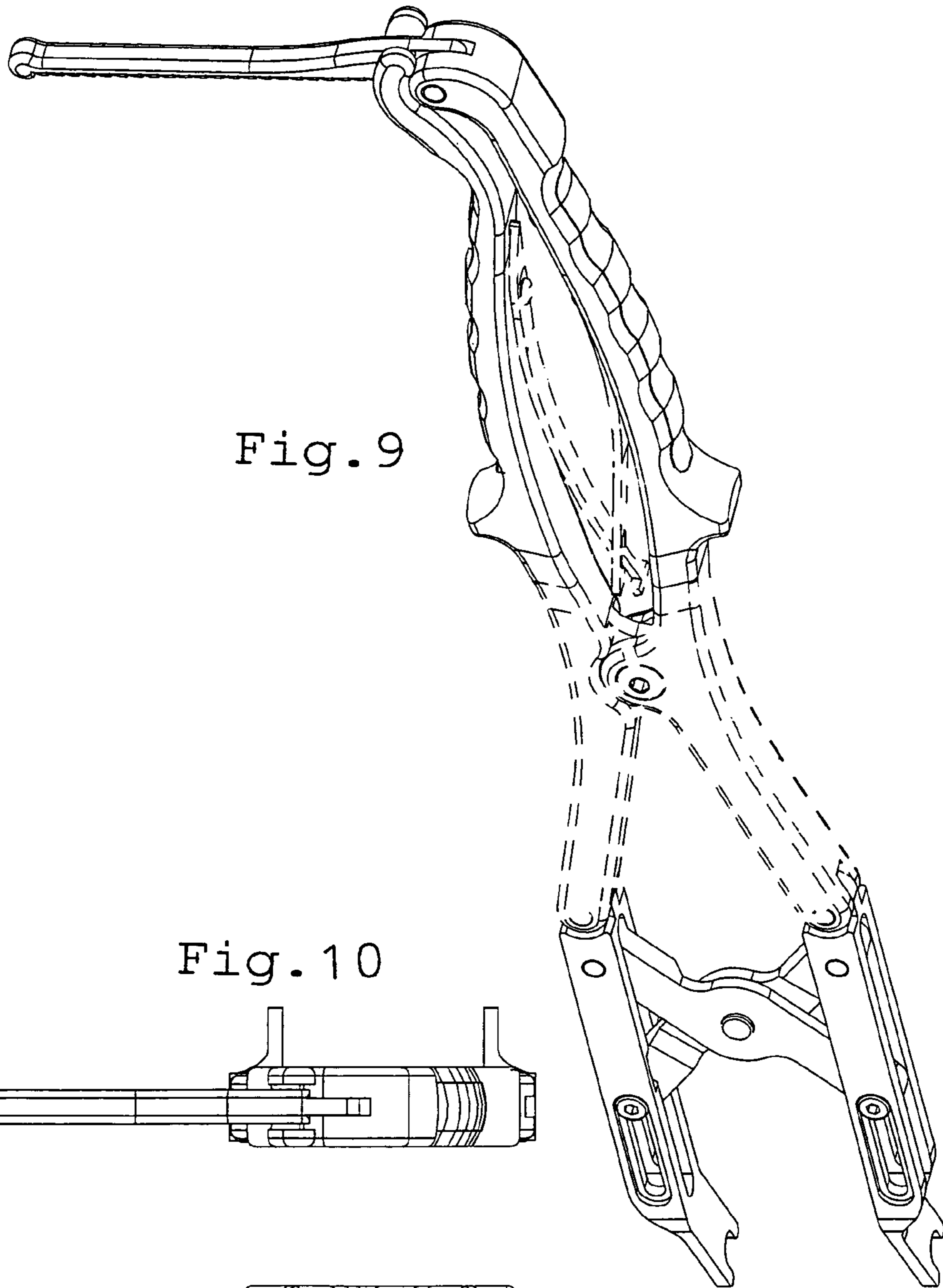


Fig. 9

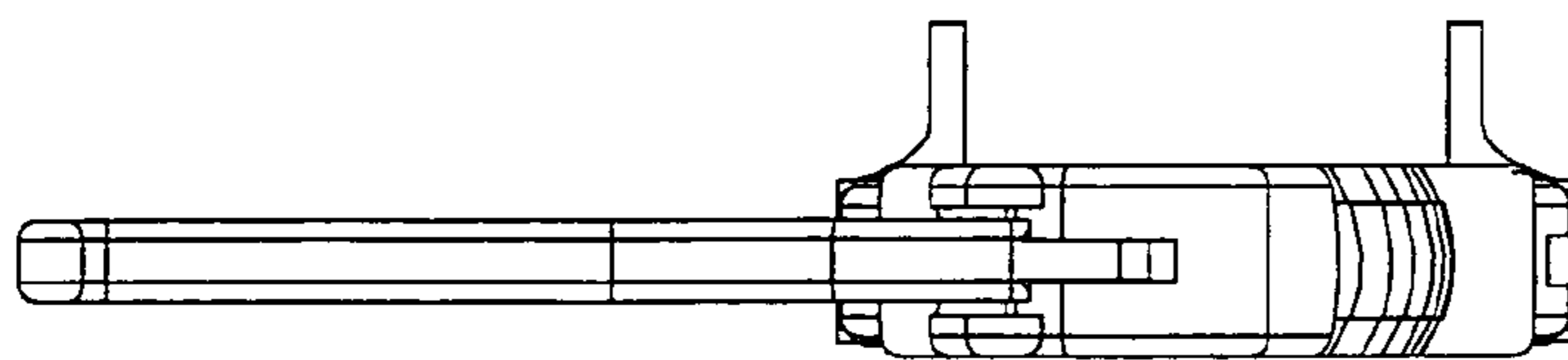


Fig. 10

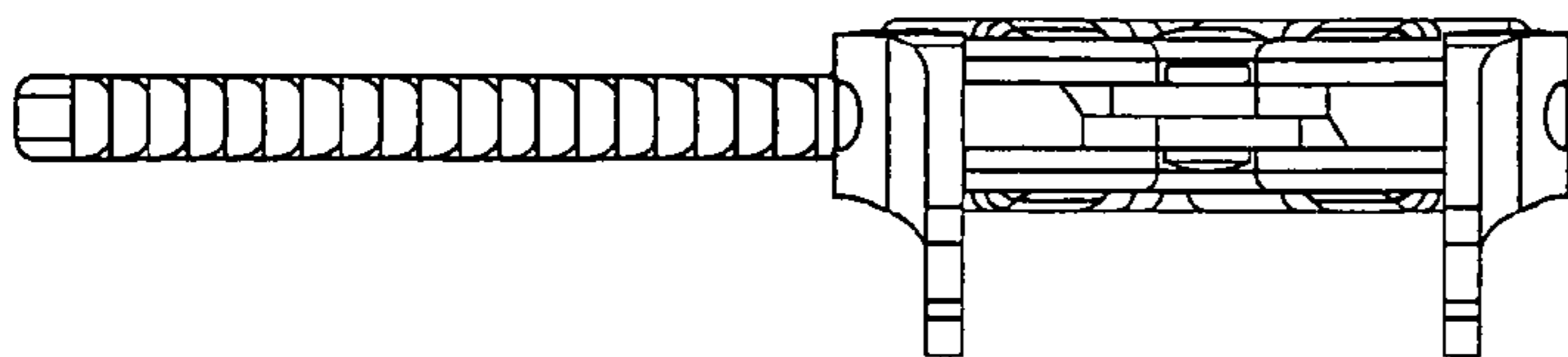


Fig. 11

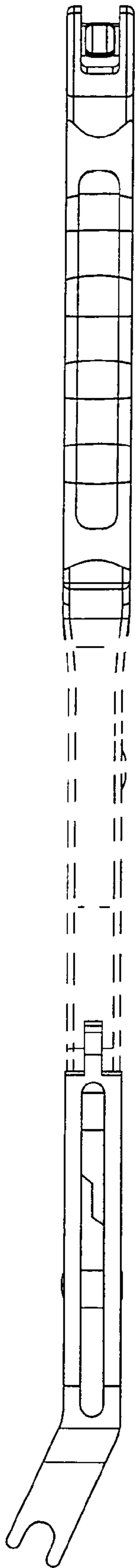


Fig. 13

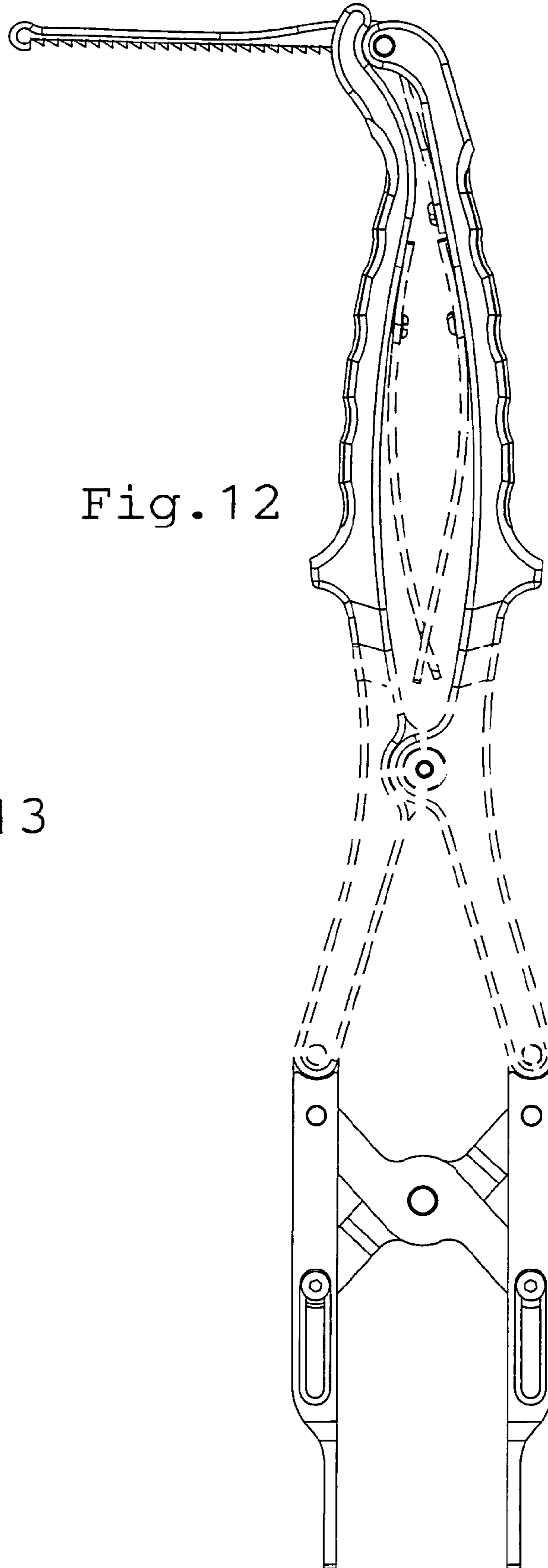


Fig. 12

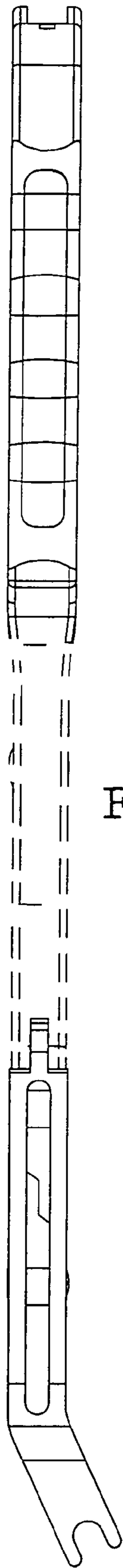


Fig. 15

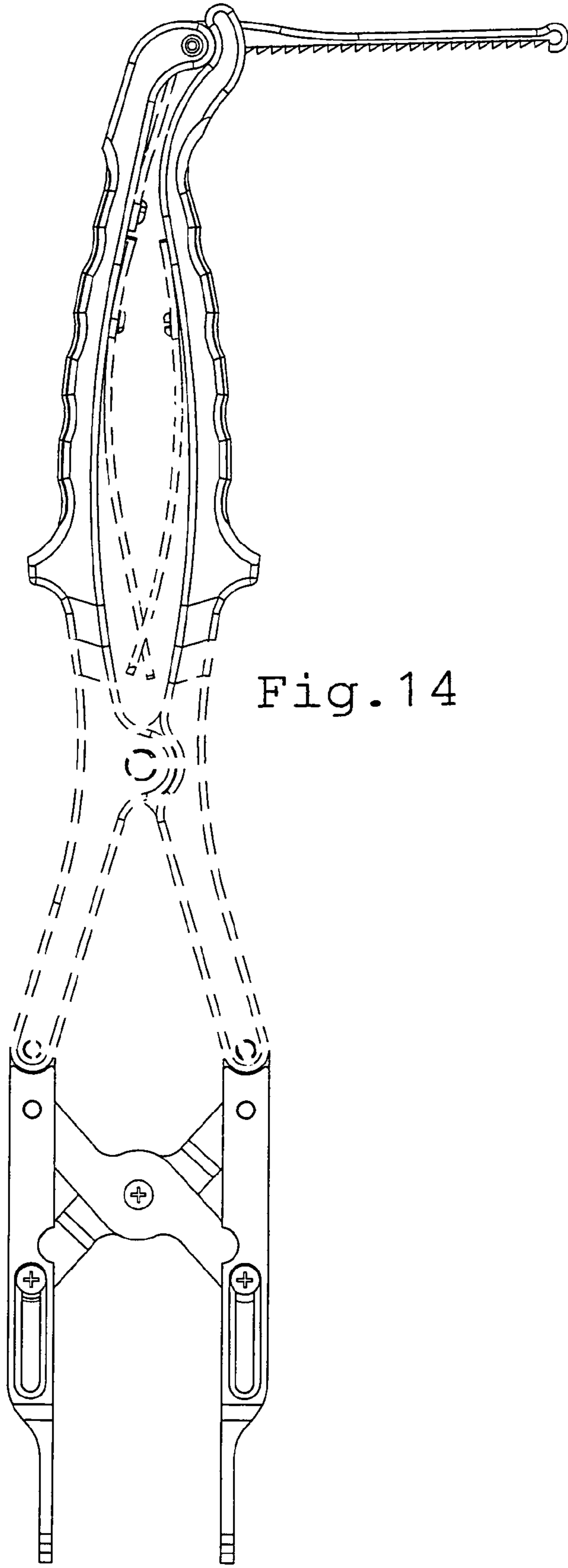


Fig. 14