

US00D566270S

(12) **United States Design Patent** (10) **Patent No.:** **US D566,270 S**
Strom et al. (45) **Date of Patent:** **** Apr. 8, 2008**

(54) **OTOSCOPIC TIP ELEMENT**

(75) Inventors: **John R. Strom**, Moravia, NY (US);
Chris R. Roberts, Skaneateles, NY
(US); **Michael E. Bausch**, Livonia, NY
(US)

(73) Assignee: **Welch Allyn, Inc.**, Skaneateles Falls,
NY (US)

(**) Term: **14 Years**

(21) Appl. No.: **29/264,056**

(22) Filed: **Aug. 2, 2006**

Related U.S. Application Data

(63) Continuation of application No. 29/210,601, filed on
Aug. 3, 2004, now abandoned.

(30) **Foreign Application Priority Data**

Feb. 4, 2004 (EM) 000132253

(51) **LOC (8) Cl.** **24-02**

(52) **U.S. Cl.** **D24/137**

(58) **Field of Classification Search** D24/133,
D24/137, 135, 138, 150, 172; D8/61, 68;
D13/107, 108; 606/14, 17, 162; 320/114,
320/107; 429/97, 100; 600/200, 203

See application file for complete search history.

(56) **References Cited**

U.S. PATENT DOCUMENTS

3,224,437	A	*	12/1965	Hardgrove	600/200
D207,372	S	*	4/1967	Pulos	D24/137
D222,925	S	*	2/1972	Pulos	D24/137
D333,702	S	*	3/1993	Huffman	D24/135
D360,261	S	*	7/1995	Swanson et al.	D24/135
D377,393	S	*	1/1997	Sams	D24/137
D421,123	S	*	2/2000	Kugler et al.	D24/137

* cited by examiner

Primary Examiner—Ian Simmons
Assistant Examiner—Carissa C Fitts

(57) **CLAIM**

The ornamental design for an otoscopic tip element, as shown and described.

DESCRIPTION

FIG. 1 is a front perspective view of an otoscopic tip element of our new design;

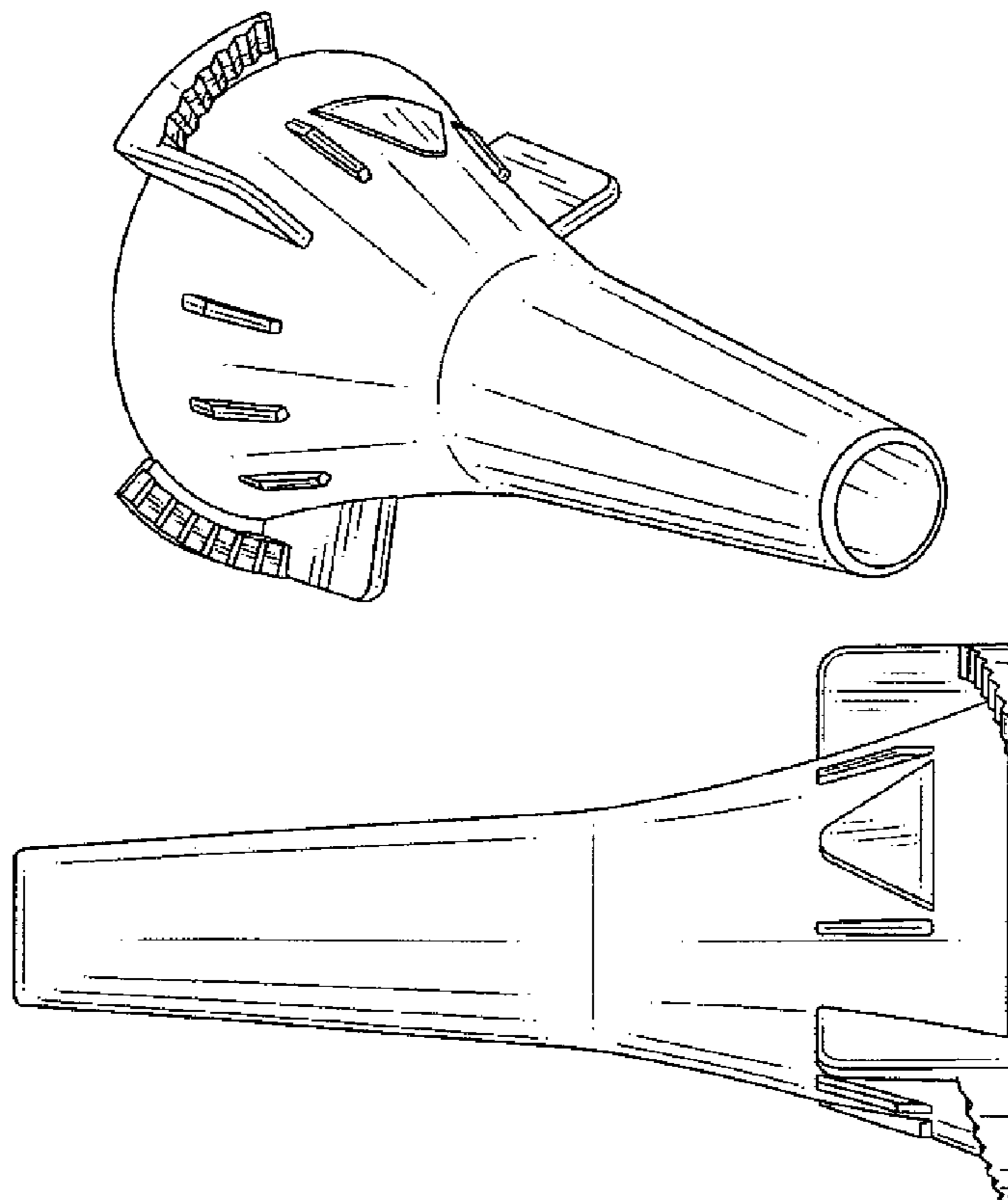
FIG. 2 is a right side view thereof;

FIG. 3 is a front view thereof;

FIG. 4 is a rear view thereof; and,

FIG. 5 is a left side view thereof.

1 Claim, 1 Drawing Sheet



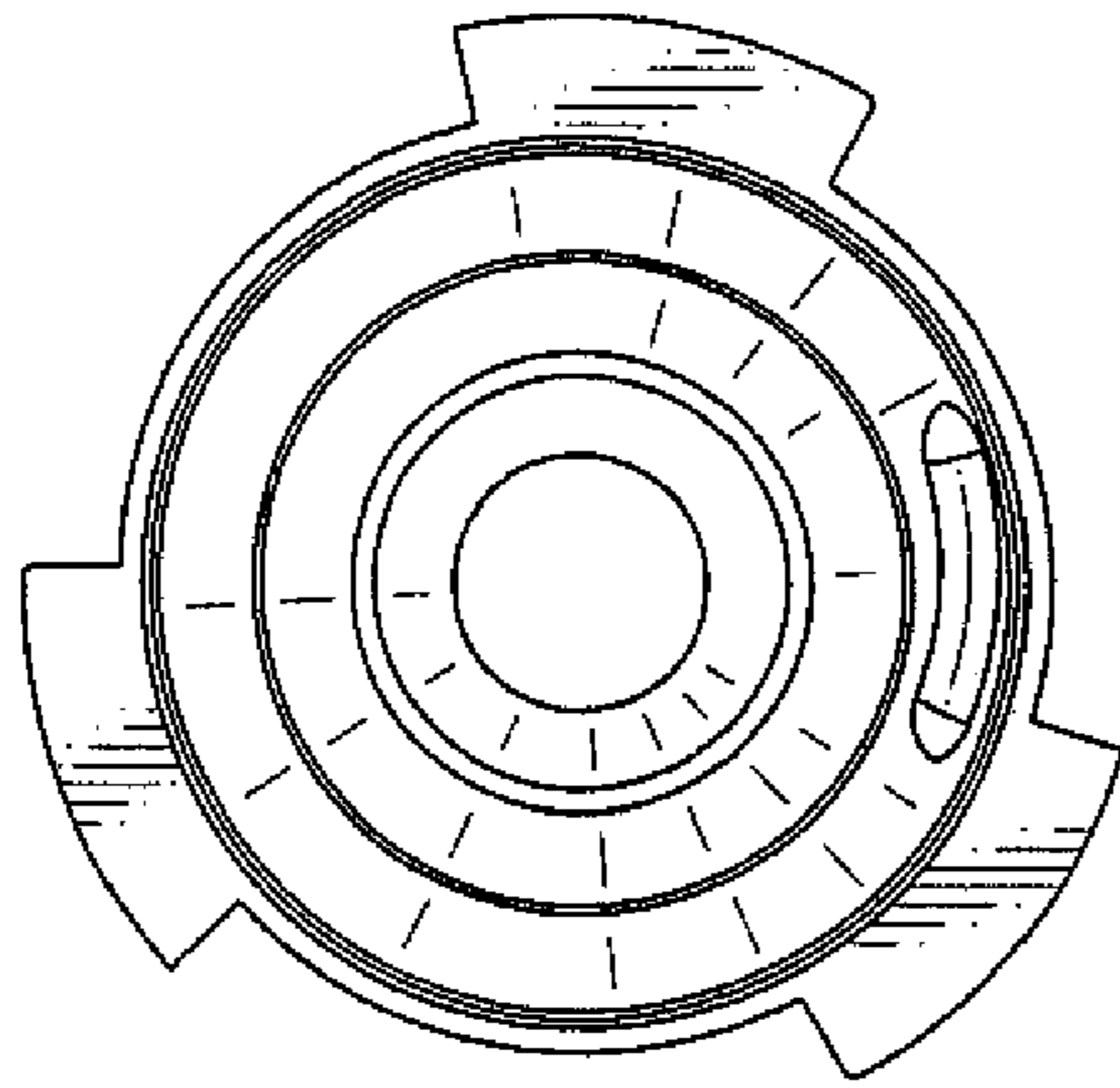


FIG.4

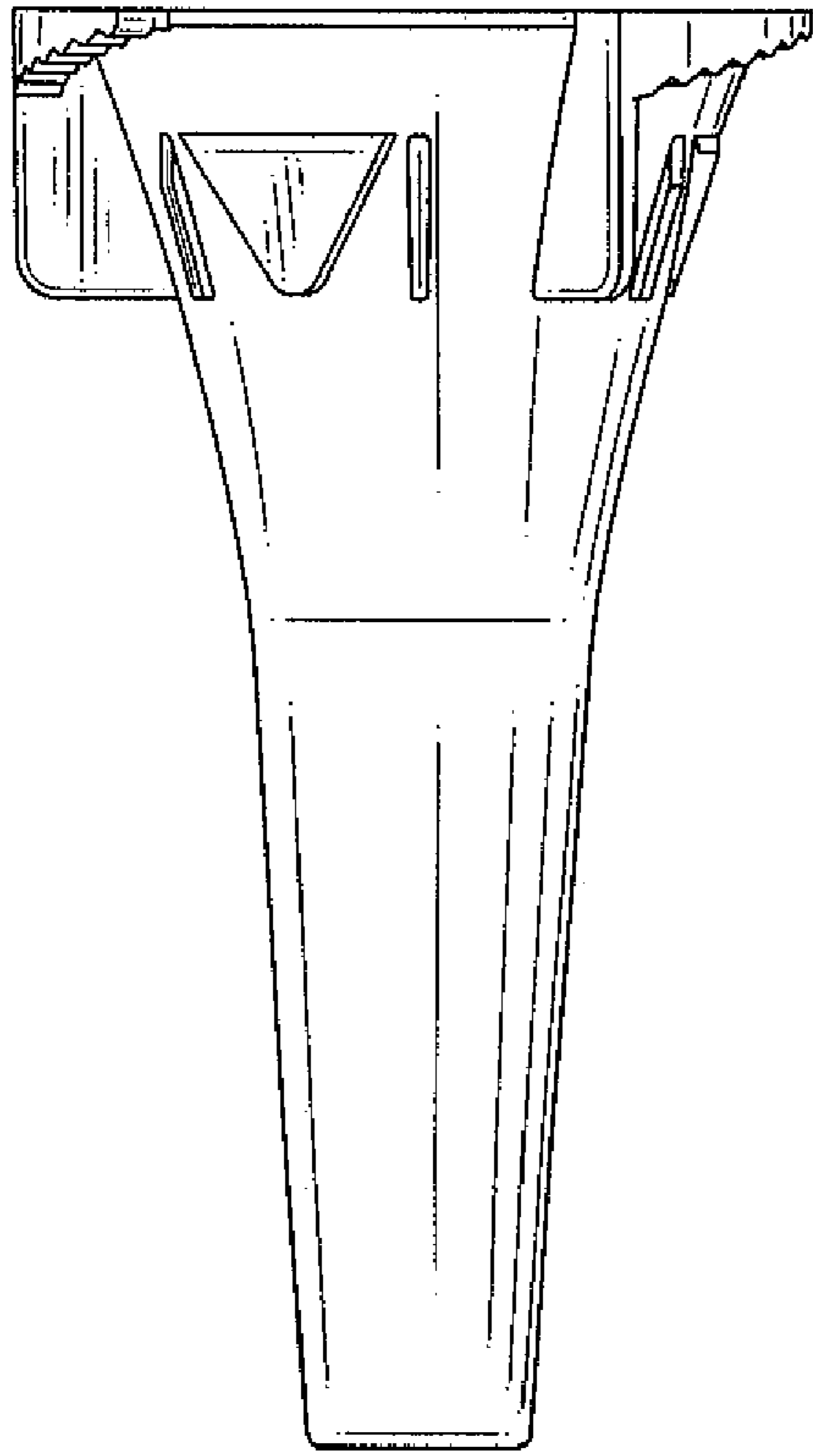


FIG.2

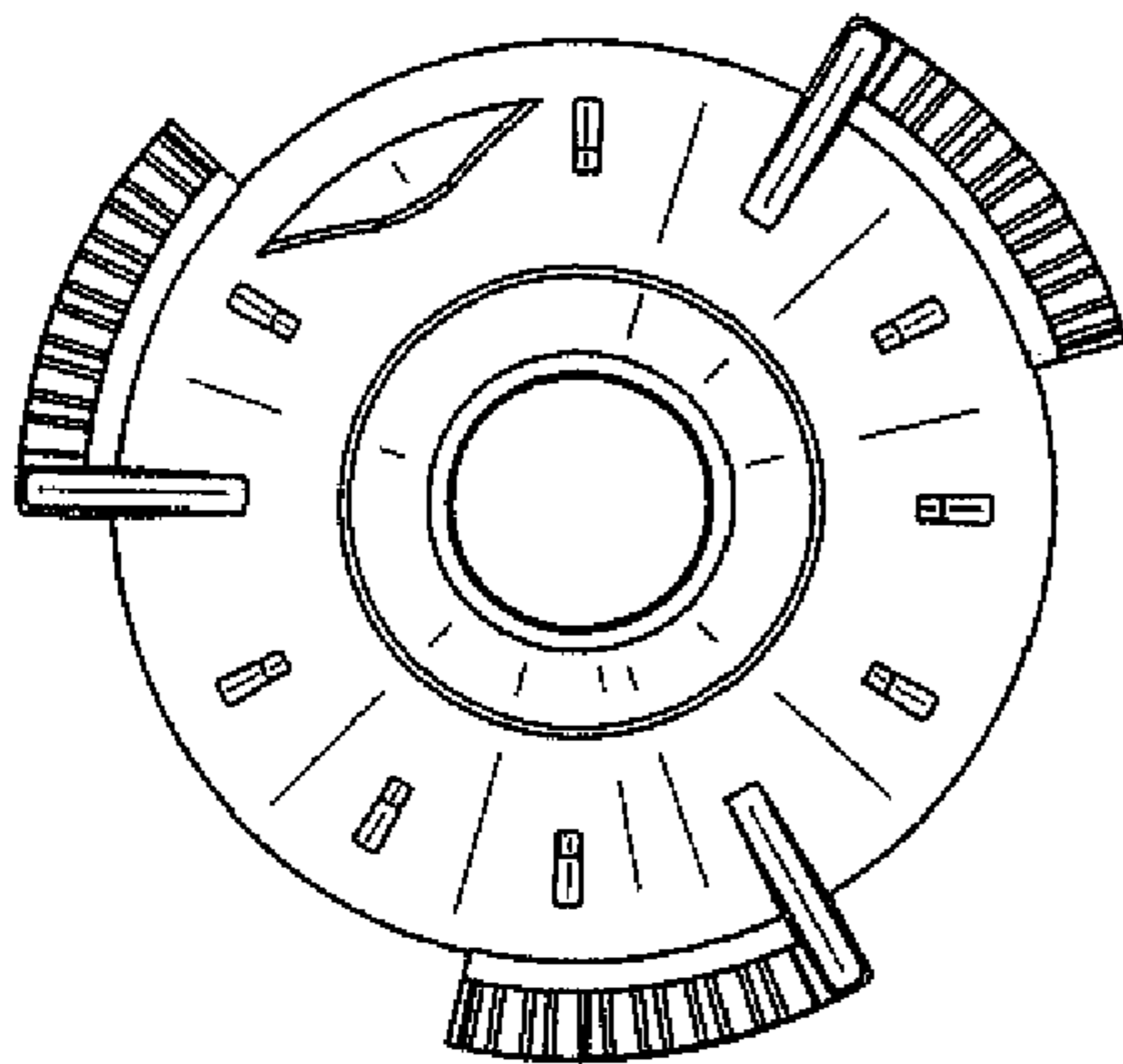


FIG.3

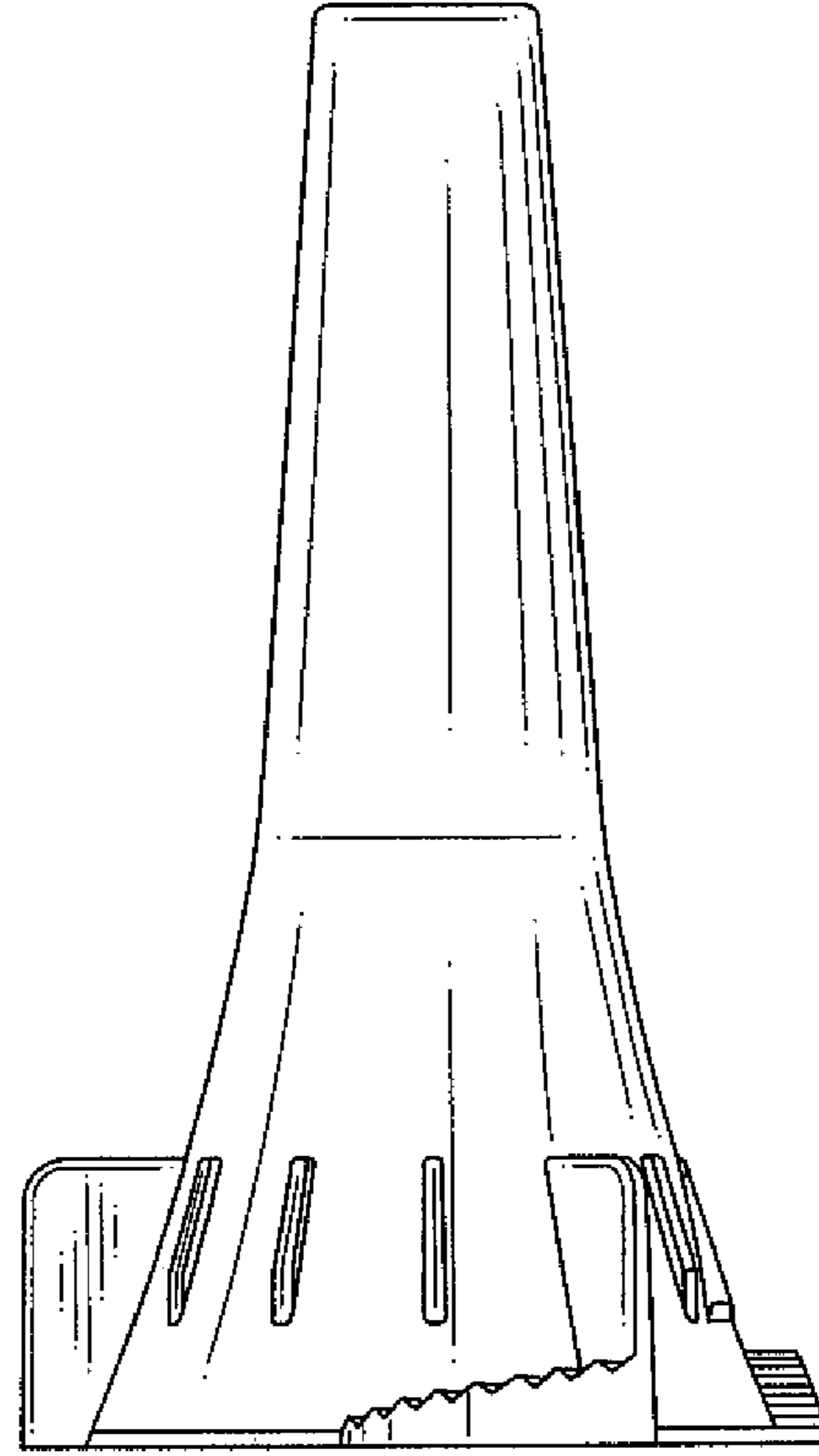


FIG.5

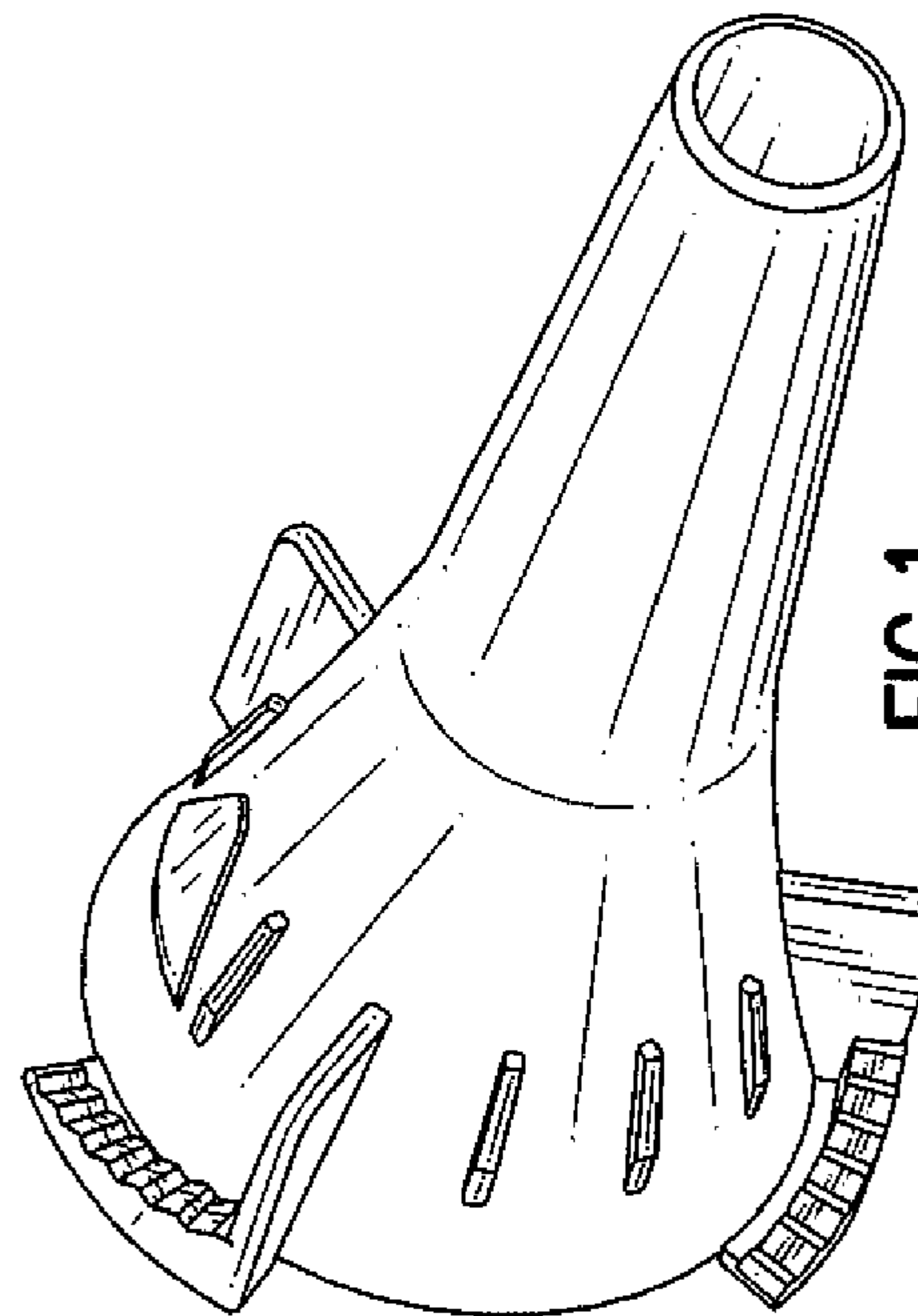


FIG.1