

US00D566269S

(12) **United States Design Patent**
Koros et al.

(10) **Patent No.:** **US D566,269 S**

(45) **Date of Patent:** **** Apr. 8, 2008**

(54) **TILTING ARM DISTRACTOR**

D410,082 S * 5/1999 Furnish D24/135
5,944,658 A * 8/1999 Koros et al. 600/232

(76) Inventors: **Tibor B. Koros**, 610 Flinn Ave.,
Moorpark, CA (US) 93021; **Gabriel J.
Koros**, 610 Flinn Ave., Moorpark, CA
(US) 93021

* cited by examiner

Primary Examiner—Ian Simmons
Assistant Examiner—Christoper Lee

(**) Term: **14 Years**

(57) **CLAIM**

(21) Appl. No.: **29/292,658**

The ornamental design for a tilting arm distractor, substan-
tially as shown and described.

(22) Filed: **Oct. 22, 2007**

(51) **LOC (8) Cl.** **24-02**

(52) **U.S. Cl.** **D24/135**

(58) **Field of Classification Search** D24/133,
D24/135; 600/201, 219, 222, 232, 231, 235
See application file for complete search history.

DESCRIPTION

FIG. 1 is a perspective view of a tilting arm distractor
showing our new design;

FIG. 2 is a front elevation view thereof,

FIG. 3 is a left side elevation view thereof,

FIG. 4 is a right elevation view thereof,

FIG. 5 is a rear elevation view thereof,

FIG. 6 is a top plan view thereof; and,

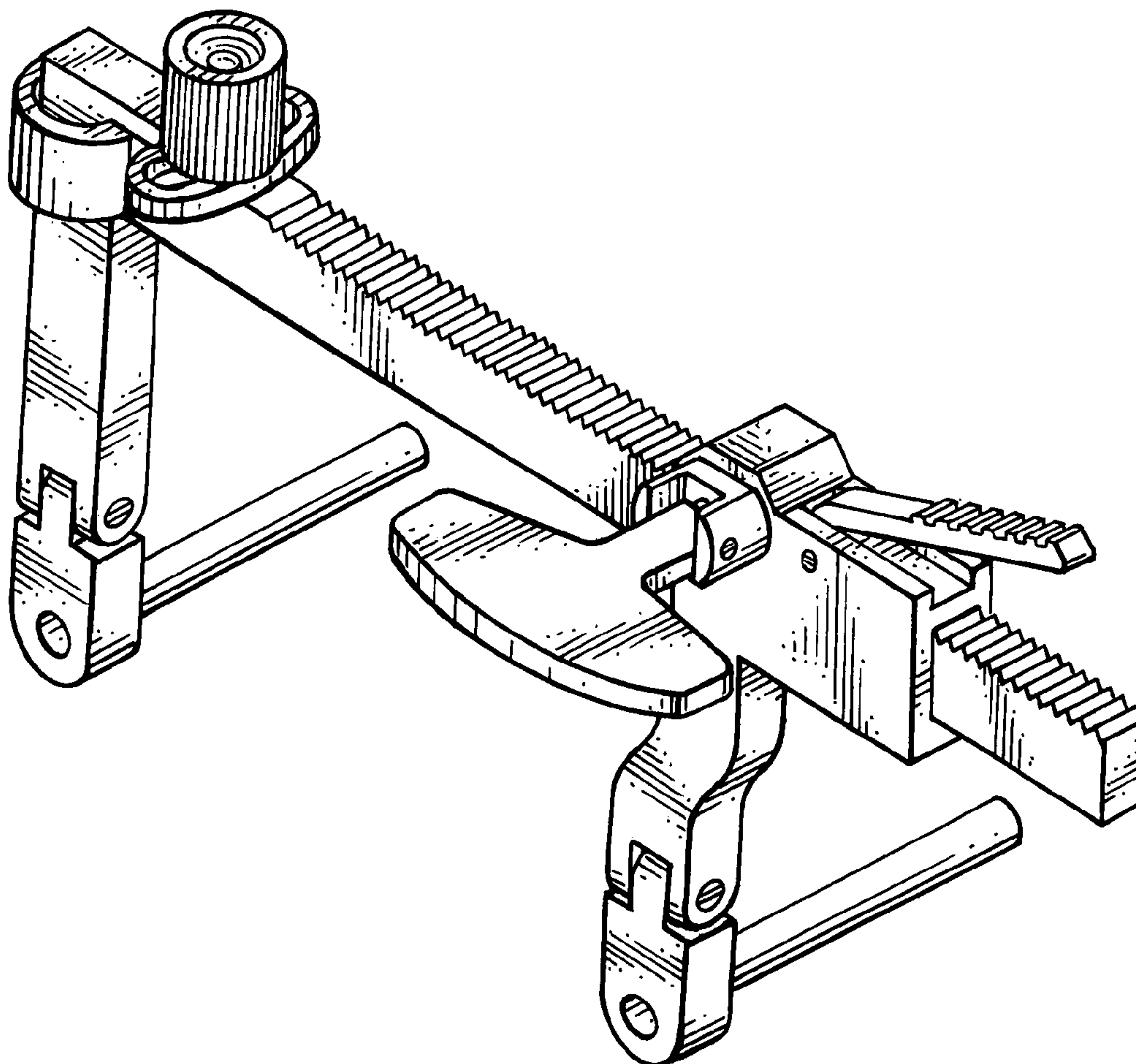
FIG. 7 is a bottom plan view thereof.

(56) **References Cited**

U.S. PATENT DOCUMENTS

D361,381 S * 8/1995 Koros et al. D24/135
D380,548 S * 7/1997 Koros et al. D24/135
D396,285 S * 7/1998 Koros et al. D24/135
D399,955 S * 10/1998 Koros et al. D24/135

1 Claim, 3 Drawing Sheets



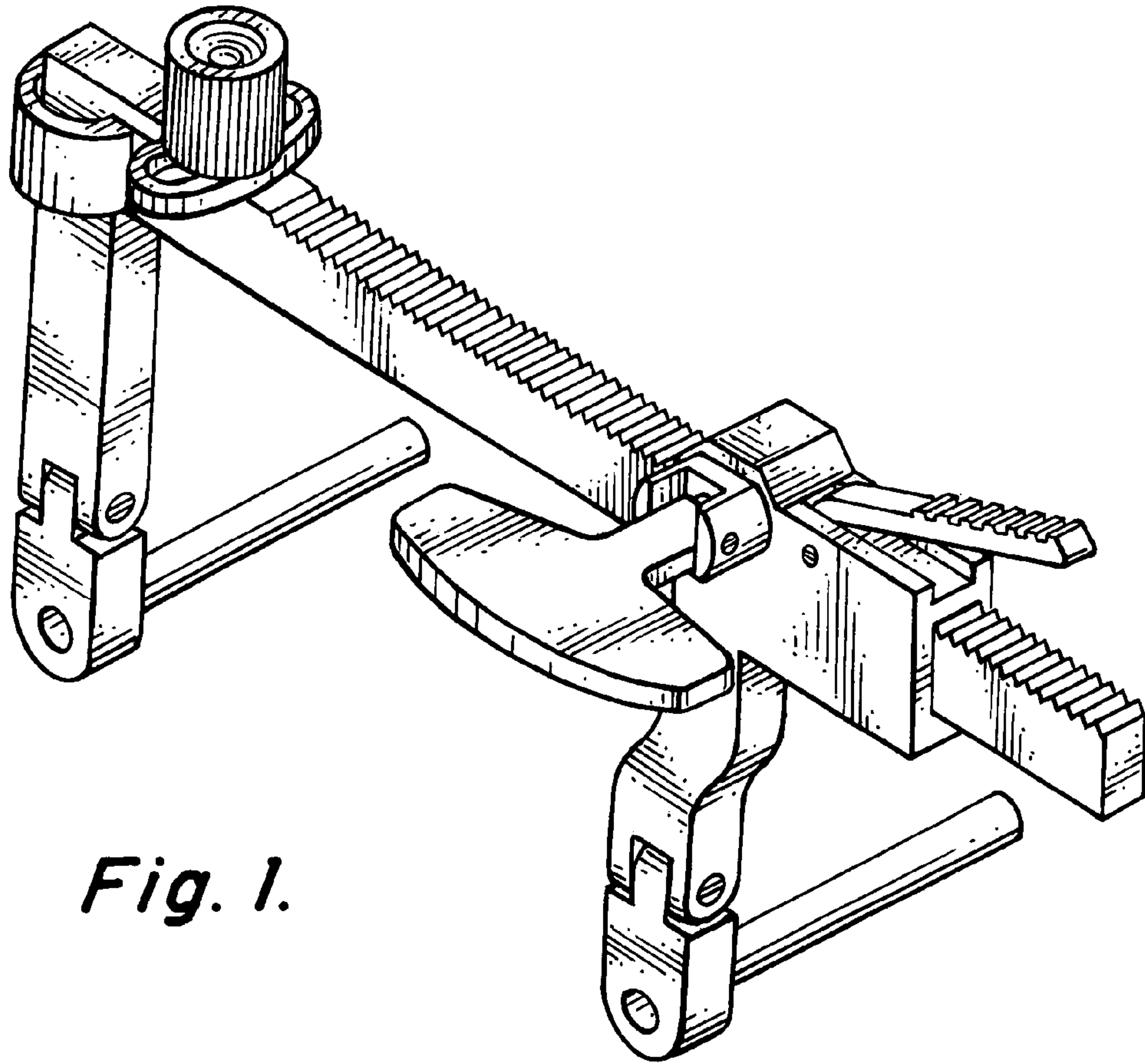


Fig. 1.

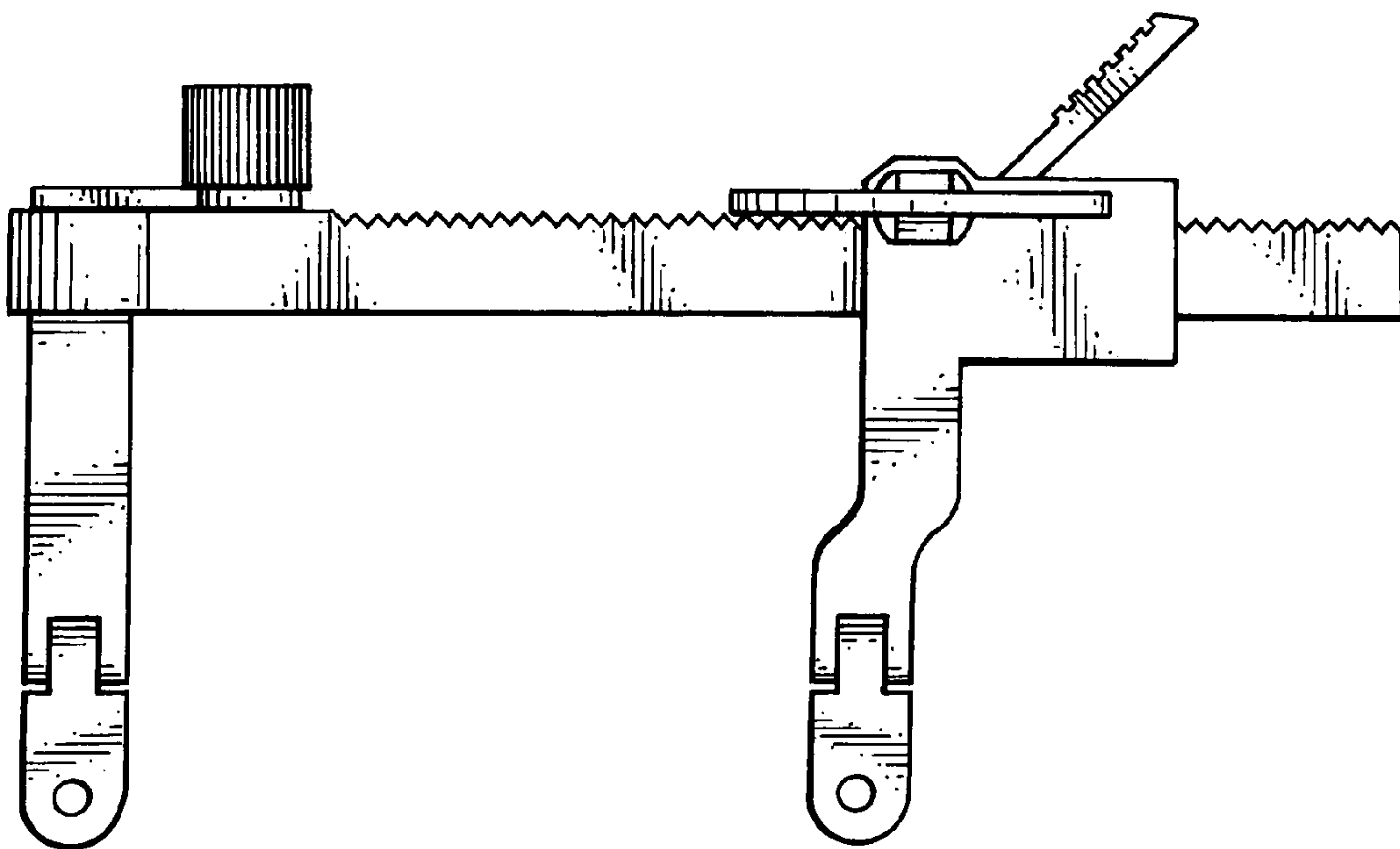


Fig. 2.

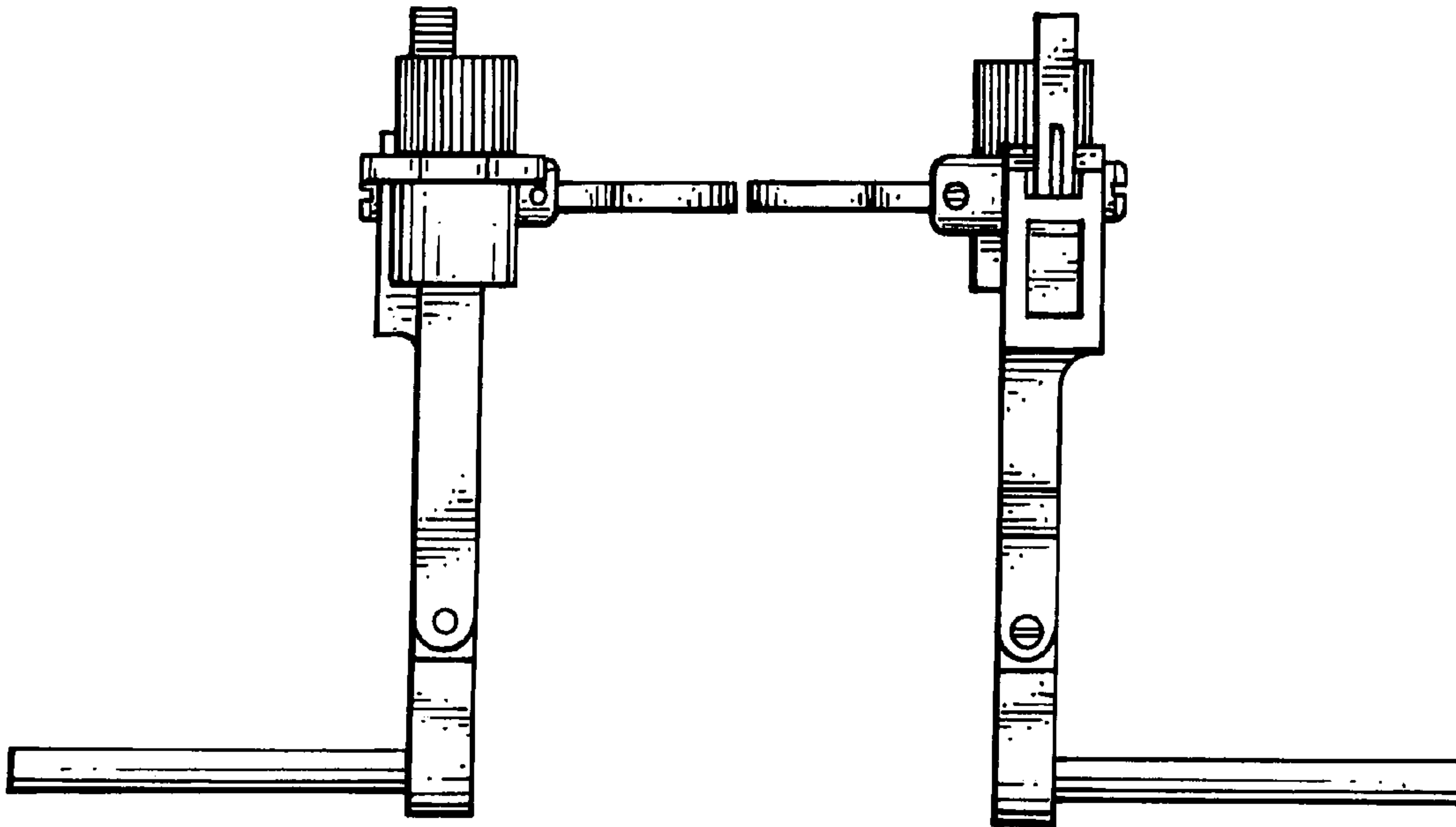


Fig. 4.

Fig. 3.

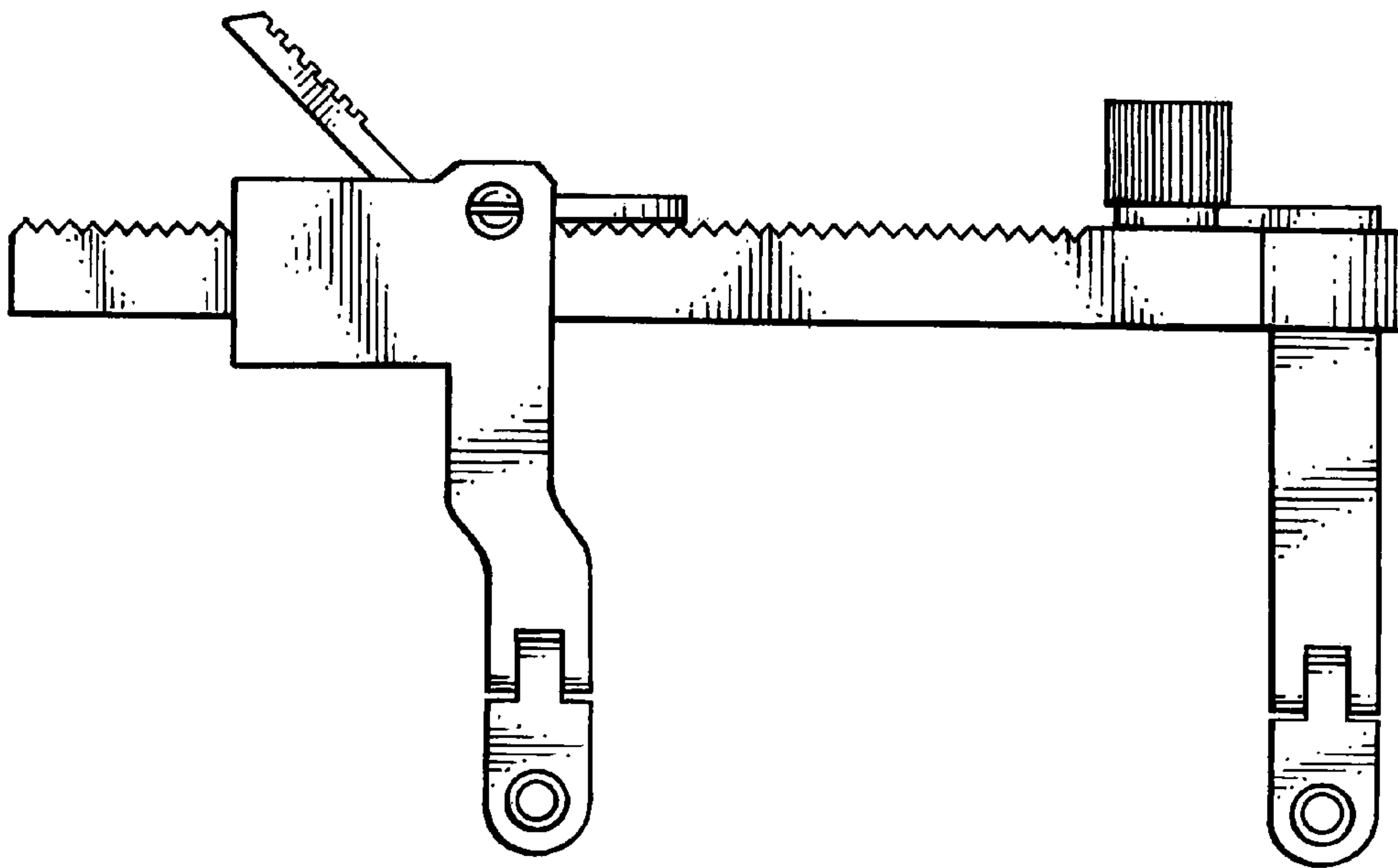


Fig. 5.

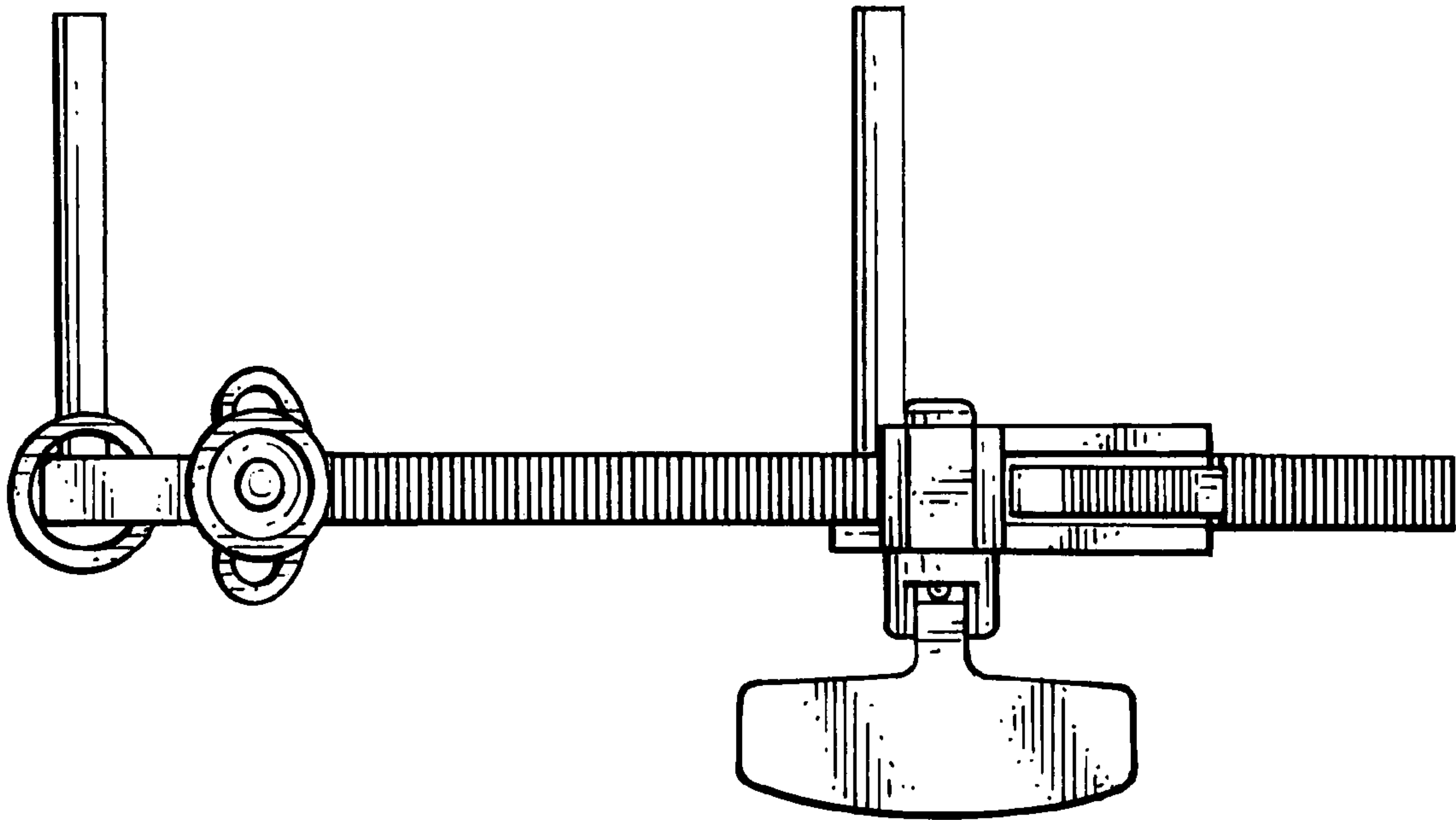


Fig. 6.

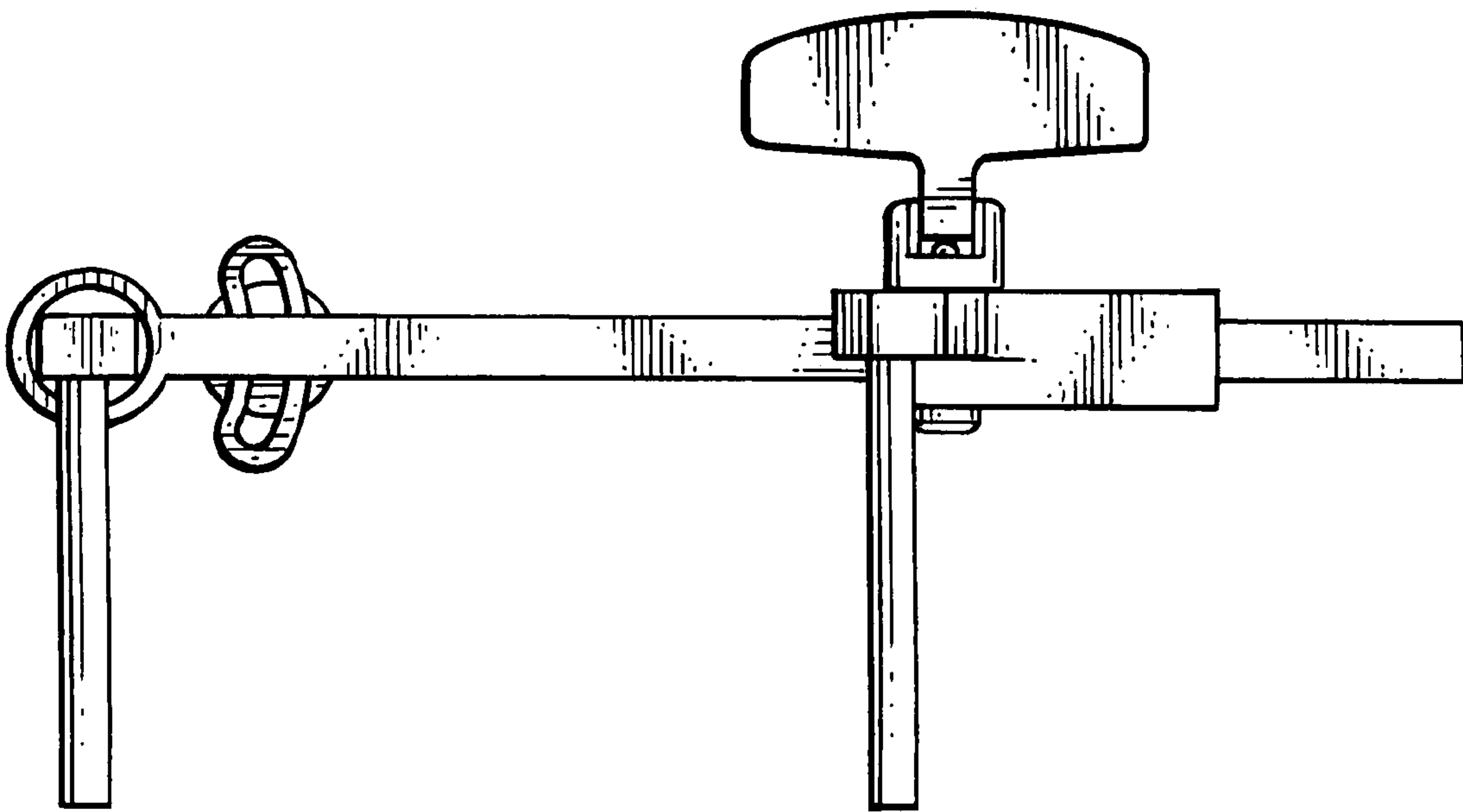


Fig. 7.