



US00D566268S

(12) **United States Design Patent**
Koros et al.

(10) **Patent No.:** **US D566,268 S**

(45) **Date of Patent:** **** Apr. 8, 2008**

(54) **HINGE RETRACTOR**

(76) Inventors: **Tibor B. Koros**, 610 Flinn Ave., Moorpark, CA (US) 93021; **Gabriel J. Koros**, 610 Flinn Ave., Moorpark, CA (US) 93021

(**) Term: **14 Years**

(21) Appl. No.: **29/285,286**

(22) Filed: **May 24, 2007**

(51) **LOC (8) Cl.** **24-02**

(52) **U.S. Cl.** **D24/135**

(58) **Field of Classification Search** D24/135,
D24/143, 148; 600/201, 216, 226, 218, 219,
600/217

See application file for complete search history.

(56) **References Cited**

U.S. PATENT DOCUMENTS

1,506,032	A *	8/1924	Stevens	600/219
3,038,467	A *	6/1962	Sovatkin	600/219
3,391,690	A *	7/1968	Armao	600/564
3,470,872	A *	10/1969	Grieshaber	600/217
D448,080	S *	9/2001	Moscarelli et al.	D24/135
D457,956	S *	5/2002	Koros et al.	D24/135

6,663,562	B2 *	12/2003	Chang	600/219
2004/0024291	A1 *	2/2004	Zinkel	600/218
2005/0027170	A1 *	2/2005	Nohara et al.	600/219
2005/0215864	A1 *	9/2005	Jang	600/217
2007/0213596	A1 *	9/2007	Hamada	600/219

* cited by examiner

Primary Examiner—Ian Simmons
Assistant Examiner—Christopher Lee

(57) **CLAIM**

The ornamental design for a hinge retractor, substantially as shown and described.

DESCRIPTION

FIG. 1 is a perspective view of a hinge retractor showing our new design;

FIG. 2 is a front elevational view thereof;

FIG. 3 is a rear elevational view thereof;

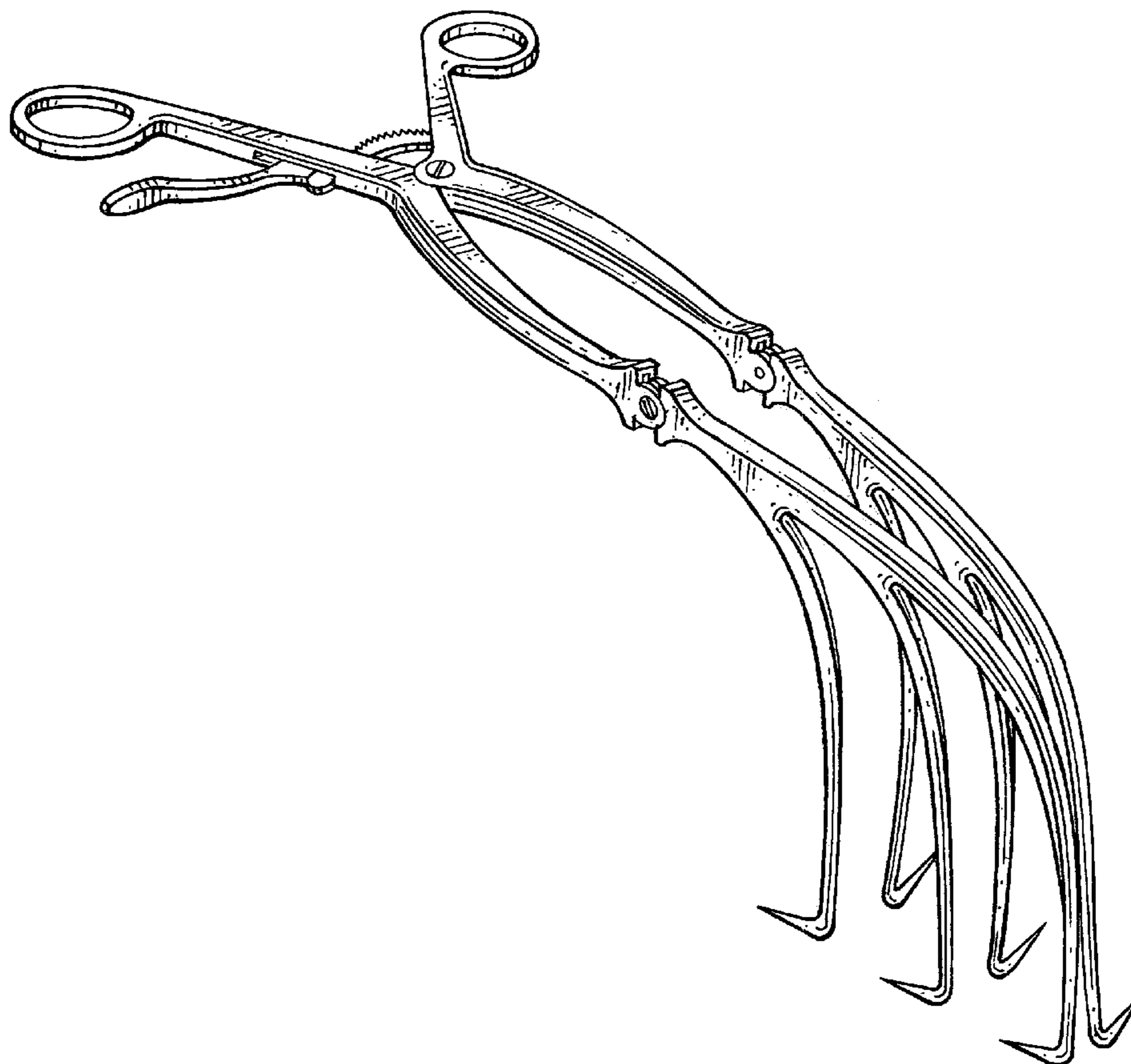
FIG. 4 is a left side view thereof;

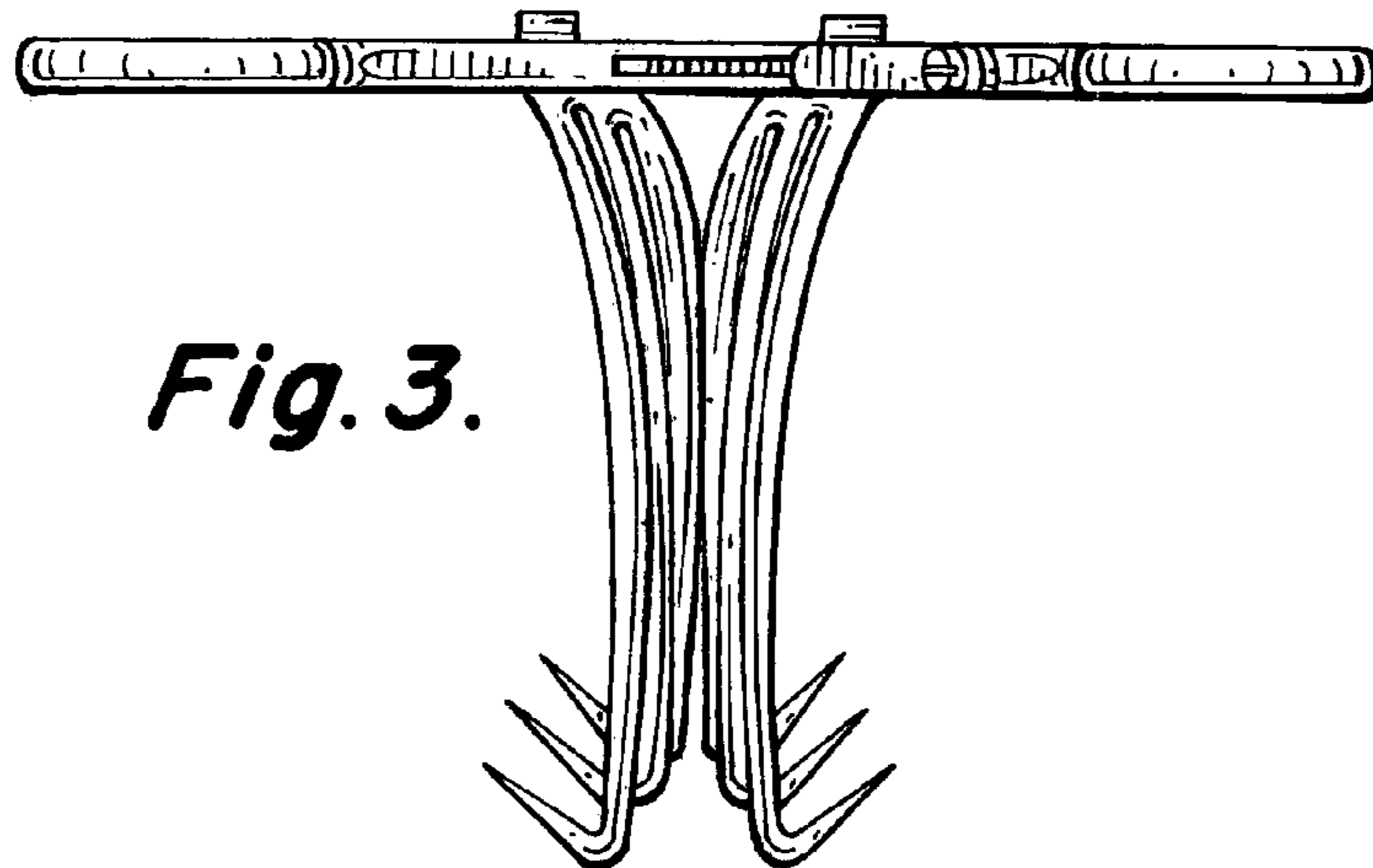
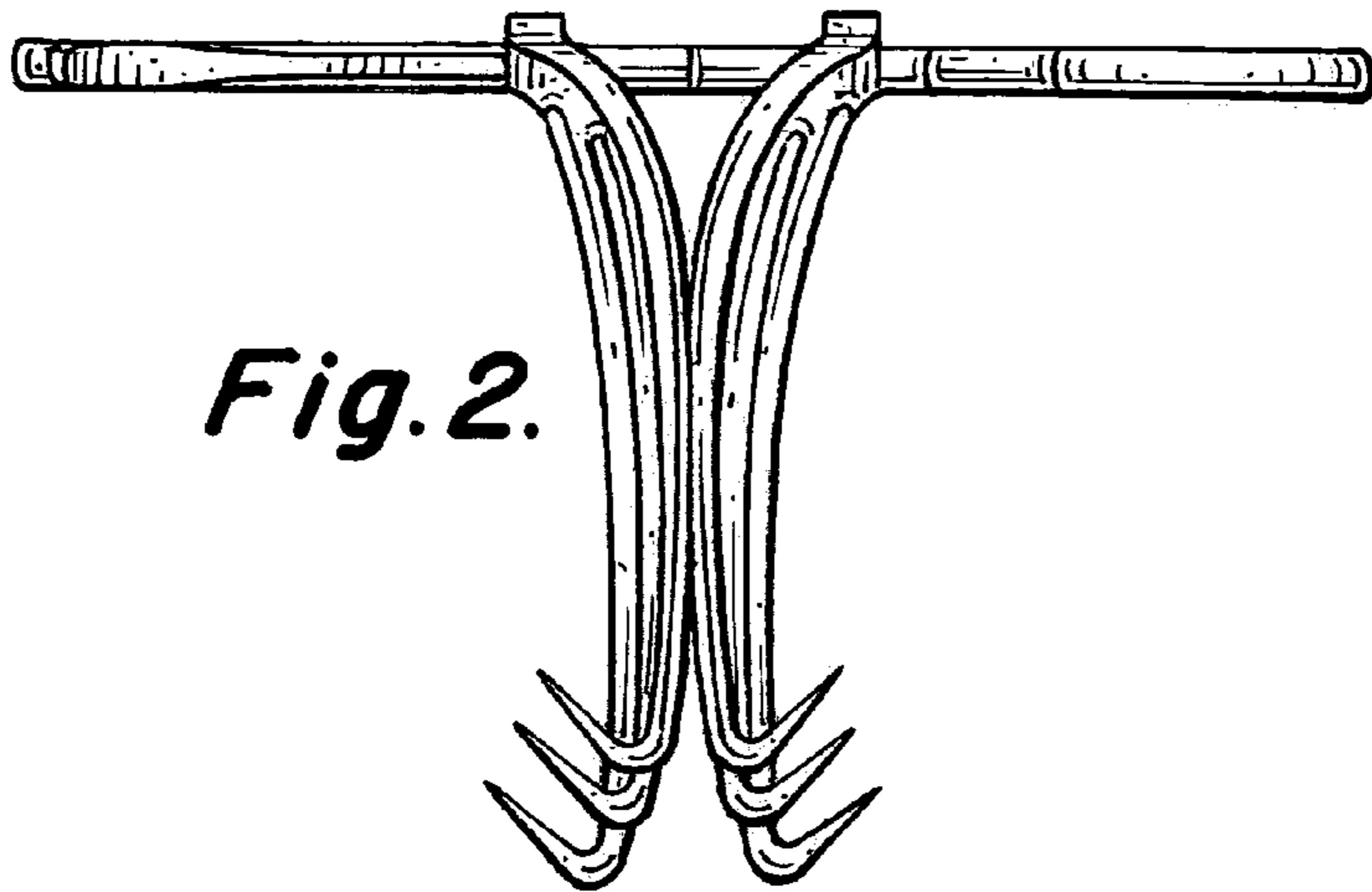
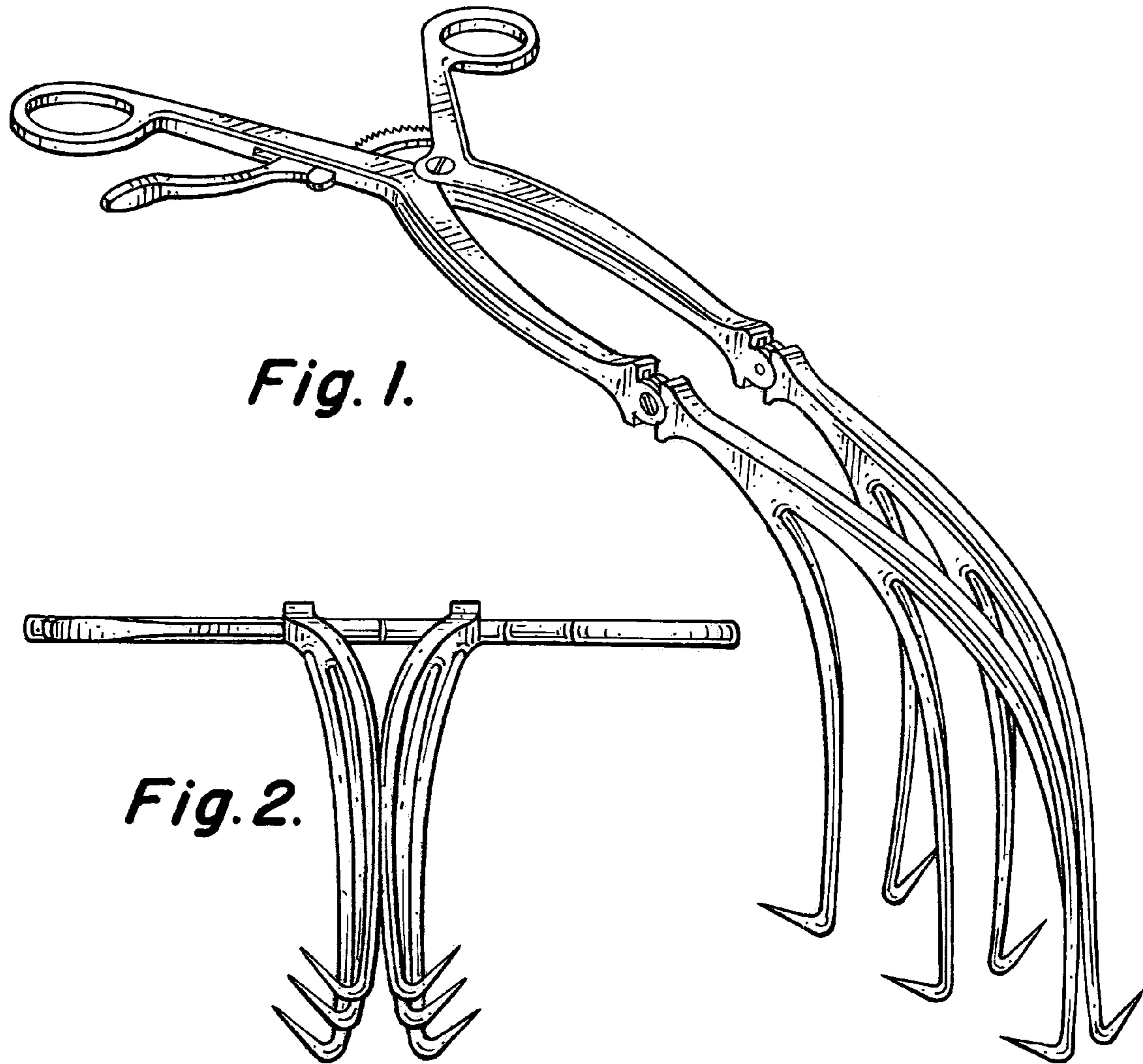
FIG. 5 is a top plan view thereof;

FIG. 6 is a right side view thereof; and,

FIG. 7 is a bottom plan view thereof.

1 Claim, 3 Drawing Sheets





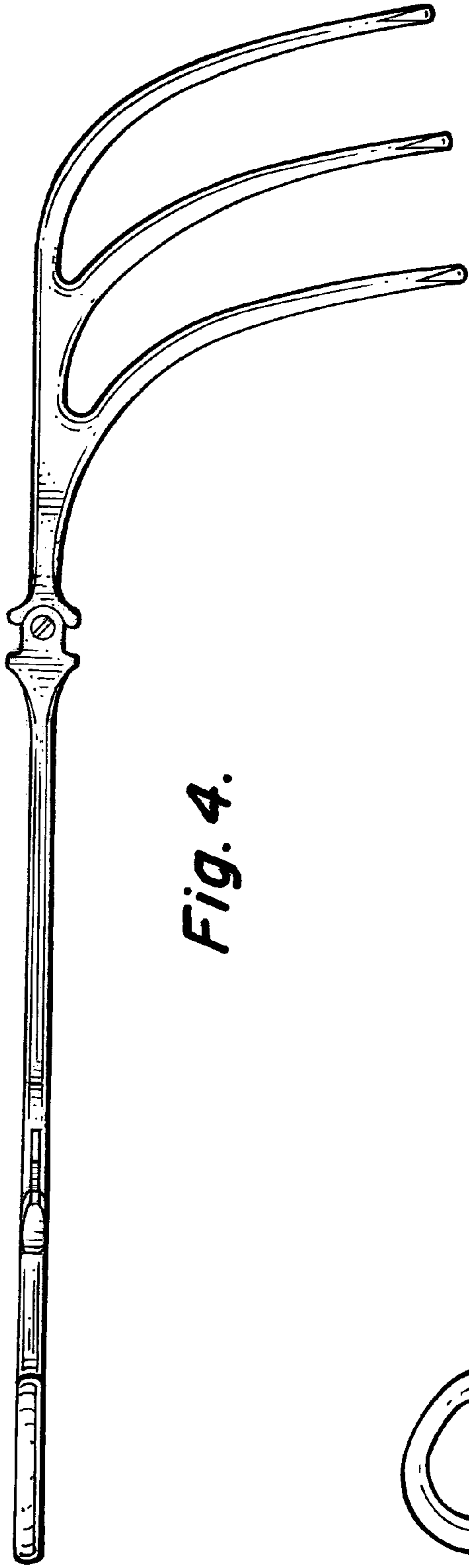


Fig. 4.

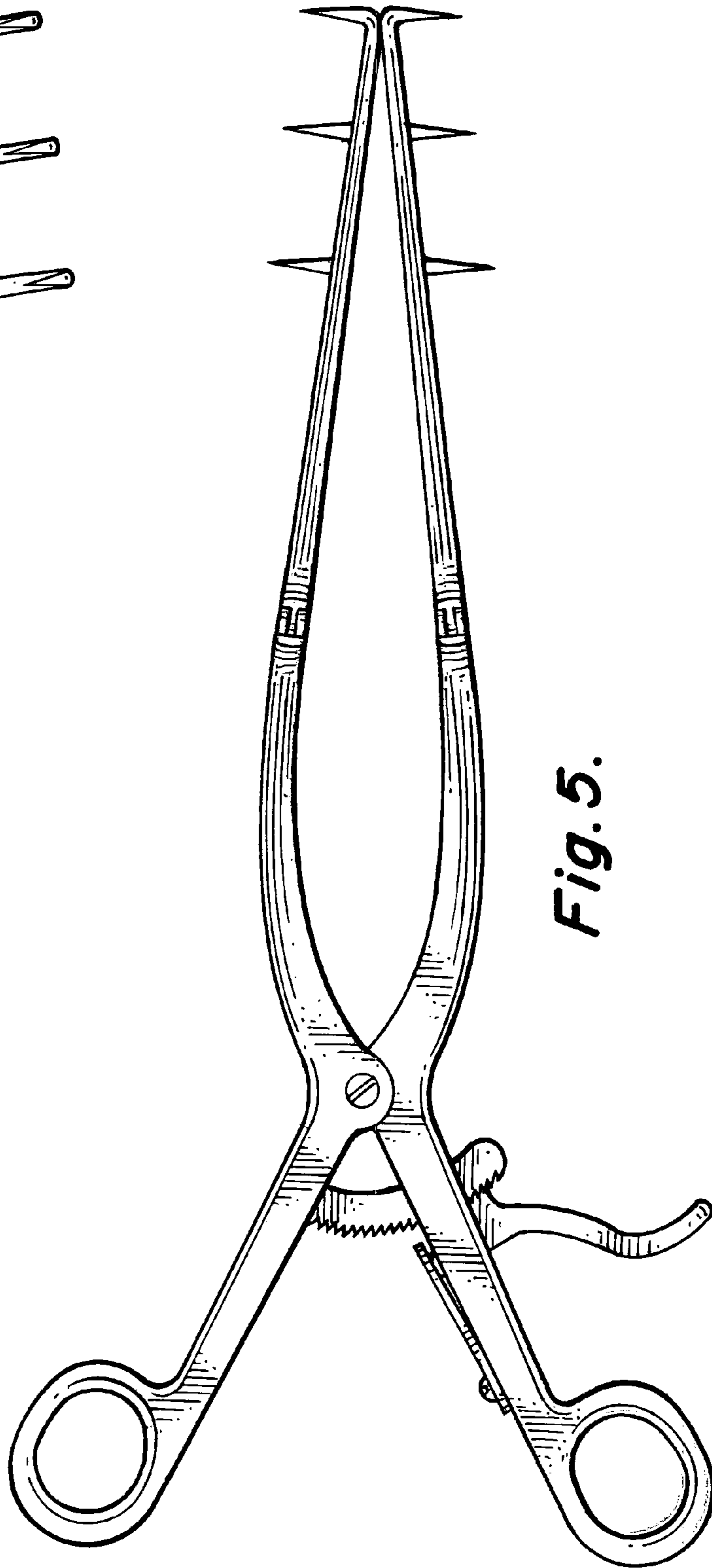


Fig. 5.

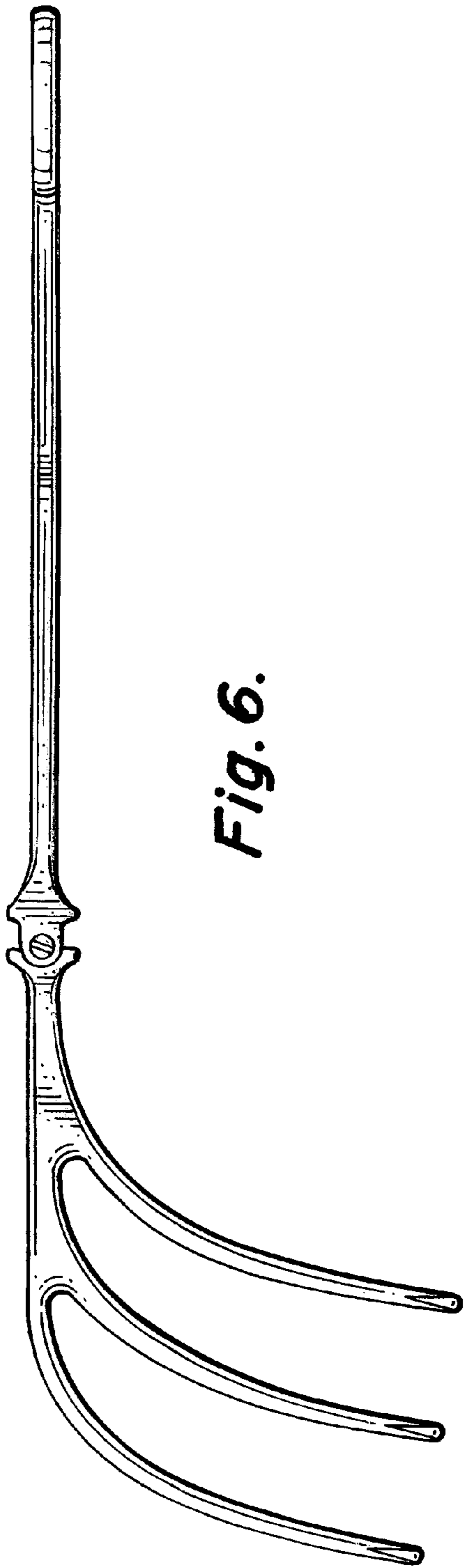


Fig. 6.

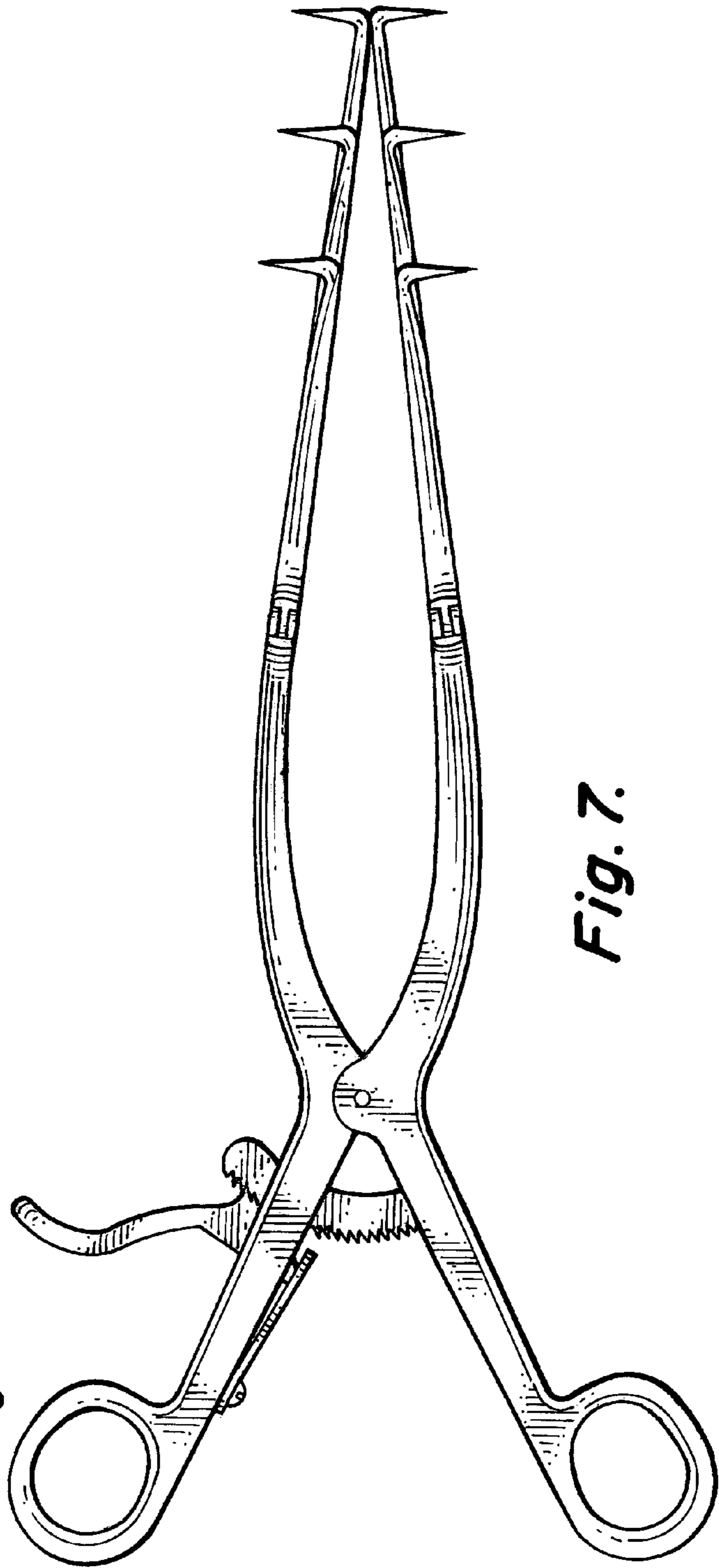


Fig. 7.