

US00D566263S

(12) **United States Design Patent** (10) **Patent No.:** **US D566,263 S**
Parker et al. (45) **Date of Patent:** **** Apr. 8, 2008**

(54) **HIGH EFFICIENCY AIR CONDITIONER
CONDENSER TWISTED FAN BLADES AND
HUB**

(75) Inventors: **Danny S Parker**, Cocoa Beach, FL
(US); **John Sherwin**, Cocoa Beach, FL
(US); **Bart Hibbs**, Altadena, CA (US)

(73) Assignee: **Research Foundation of the
University of Central Florida**,
Orlando, FL (US)

(**) Term: **14 Years**

(21) Appl. No.: **29/282,990**

(22) Filed: **Aug. 3, 2007**

Related U.S. Application Data

(62) Division of application No. 29/268,980, filed on Nov. 17, 2006, now Pat. No. Des. 555,782, which is a division of application No. 29/231,433, filed on Jun. 3, 2005, now Pat. No. Des. 539,413, which is a division of application No. 29/178,526, filed on Mar. 27, 2003, now Pat. No. Des. 510,998.

(51) **LOC (8) Cl.** **23-04**

(52) **U.S. Cl.** **D23/411**

(58) **Field of Classification Search** D23/411,
D23/377, 379, 385, 413; 416/5
See application file for complete search history.

(56) **References Cited**

U.S. PATENT DOCUMENTS

2,638,757 A	5/1953	Borgerd
3,995,442 A	12/1976	Cavezza
4,470,271 A	9/1984	Draper
4,526,506 A	7/1985	Koger
4,971,143 A	11/1990	Hogan
4,971,520 A	11/1990	Van Houten
5,320,493 A	6/1994	Shih

5,624,234 A	4/1997	Neely	
5,809,800 A	9/1998	Deal	
6,129,528 A	10/2000	Bradbury	
6,185,954 B1	2/2001	Smiley	
D510,998 S *	10/2005	Parker et al. D23/411
D539,413 S *	3/2007	Parker et al. D23/411
D555,782 S *	11/2007	Parker et al. D23/411

OTHER PUBLICATIONS

Kernstock, "Slashing Through The Noise Barrier" Defense Daily Network—Rotor & Wing's Cover Story, Aug. 1999, p. 1-11.

* cited by examiner

Primary Examiner—Lisa Lichtenstein

(74) *Attorney, Agent, or Firm*—Brian S. Steinberger; Law Offices of Brian S. Steinberger, P.A.

(57) **CLAIM**

The ornamental design for a high efficiency air conditioner condenser twisted fan blades and hub, as shown and described.

DESCRIPTION

FIG. 1 is a perspective view of a high efficiency air conditioner condenser twisted fan blades with hub.

FIG. 2 is a front side elevation view of the high efficiency air conditioner condenser twisted fan blades and hub of FIG. 1.

FIG. 3 is a left side end view of the high efficiency air conditioner condenser twisted fan blades and hub of FIG. 1.

FIG. 4 is a right side end view of the high efficiency air conditioner condenser twisted fan blades and hub of FIG. 1.

FIG. 5 is a bottom elevation view of the high efficiency air conditioner condenser twisted fan blades and hub of FIG. 1; and,

FIG. 6 is a top elevation view of the high efficiency air conditioner condenser twisted fan blades and hub of FIG. 1.

1 Claim, 3 Drawing Sheets

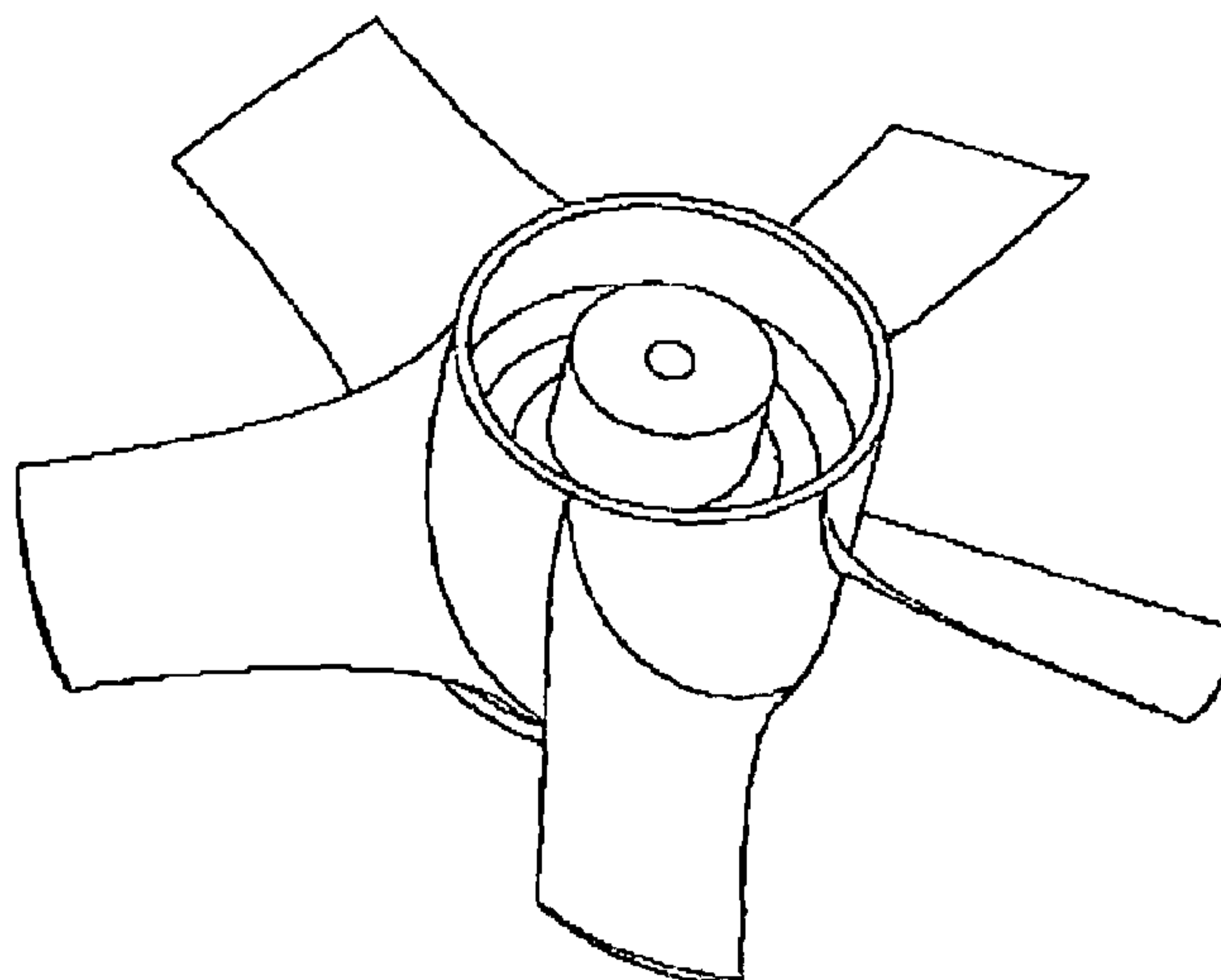


FIG. 1

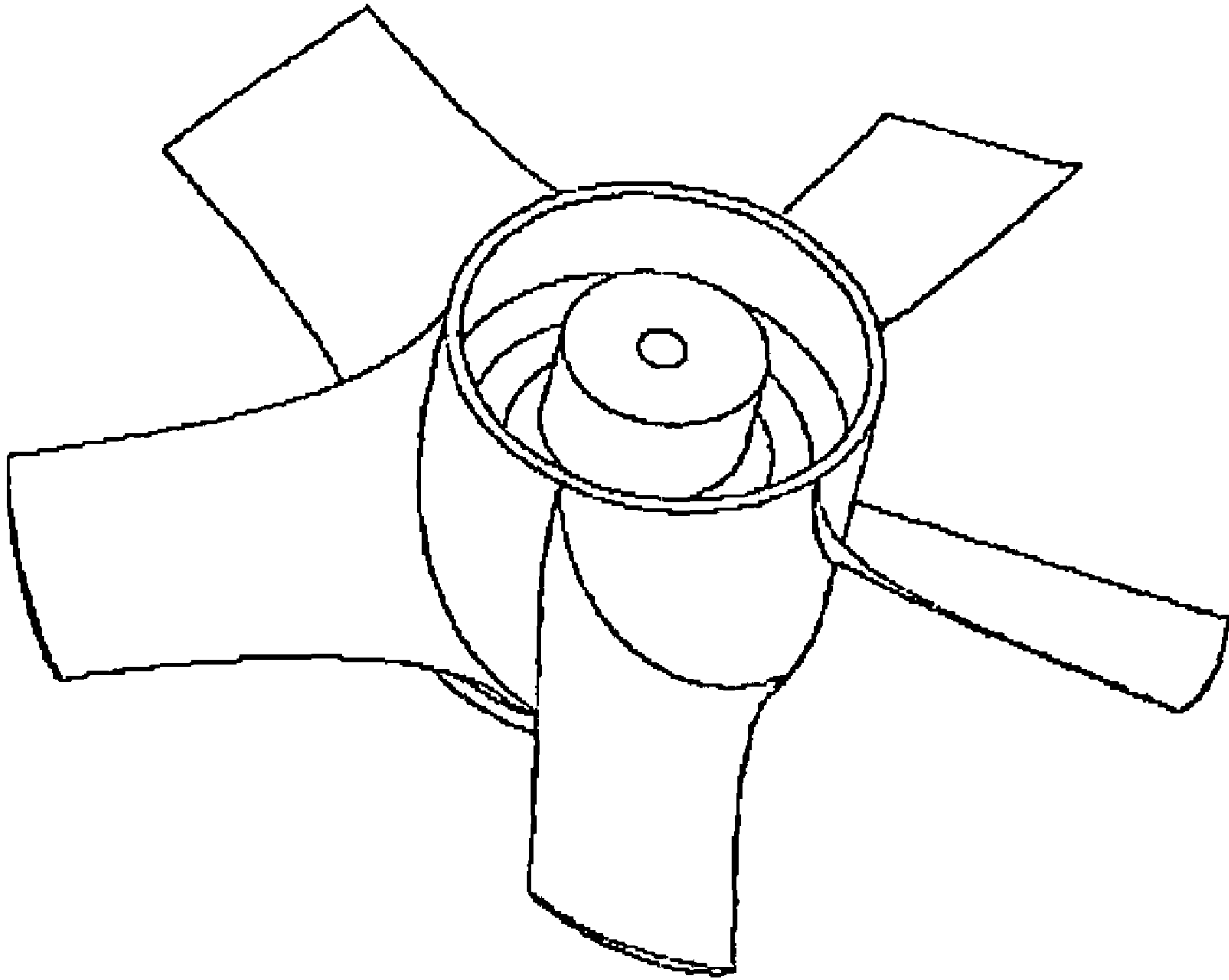
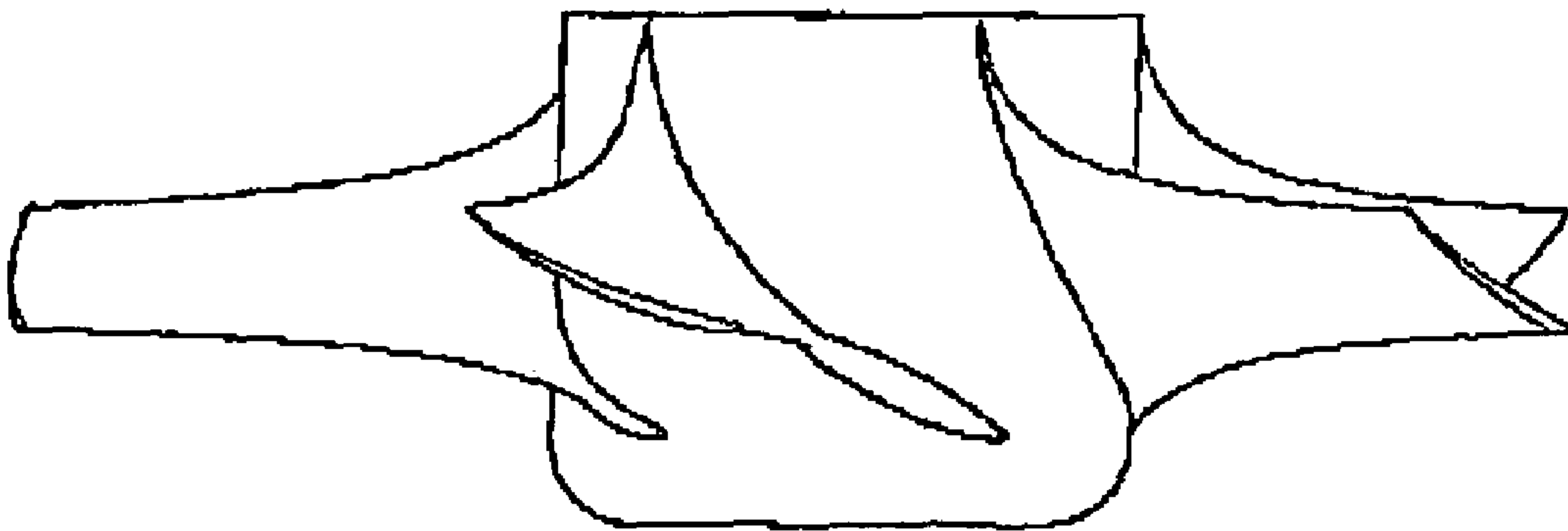
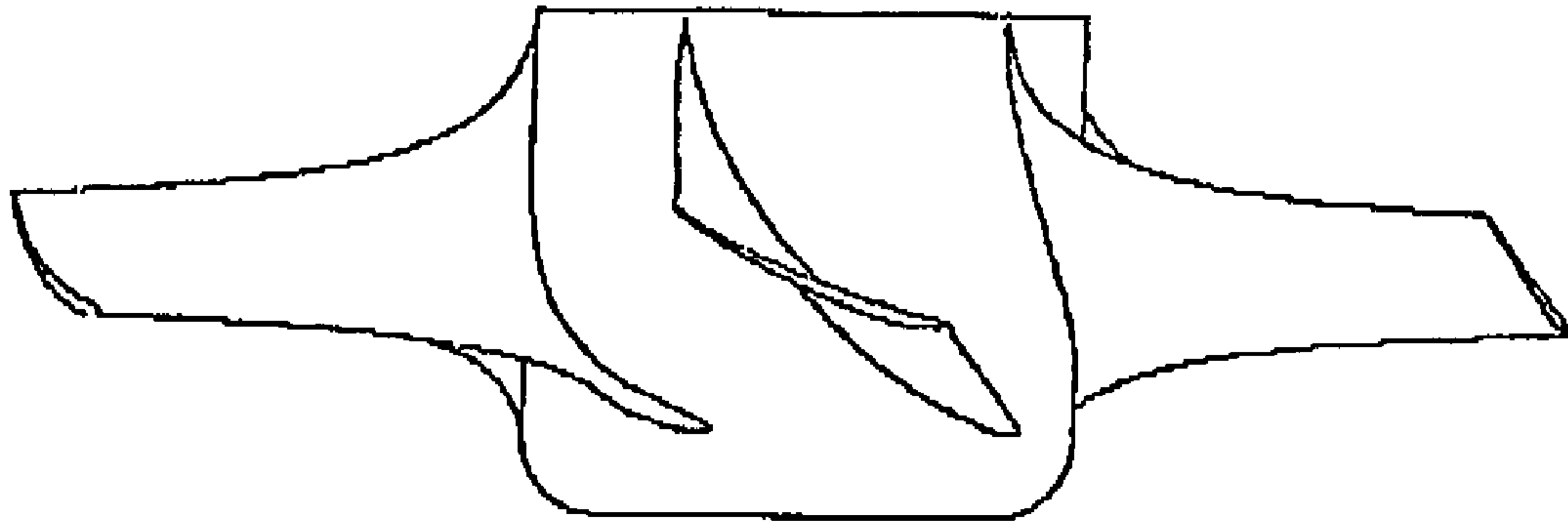


FIG. 2



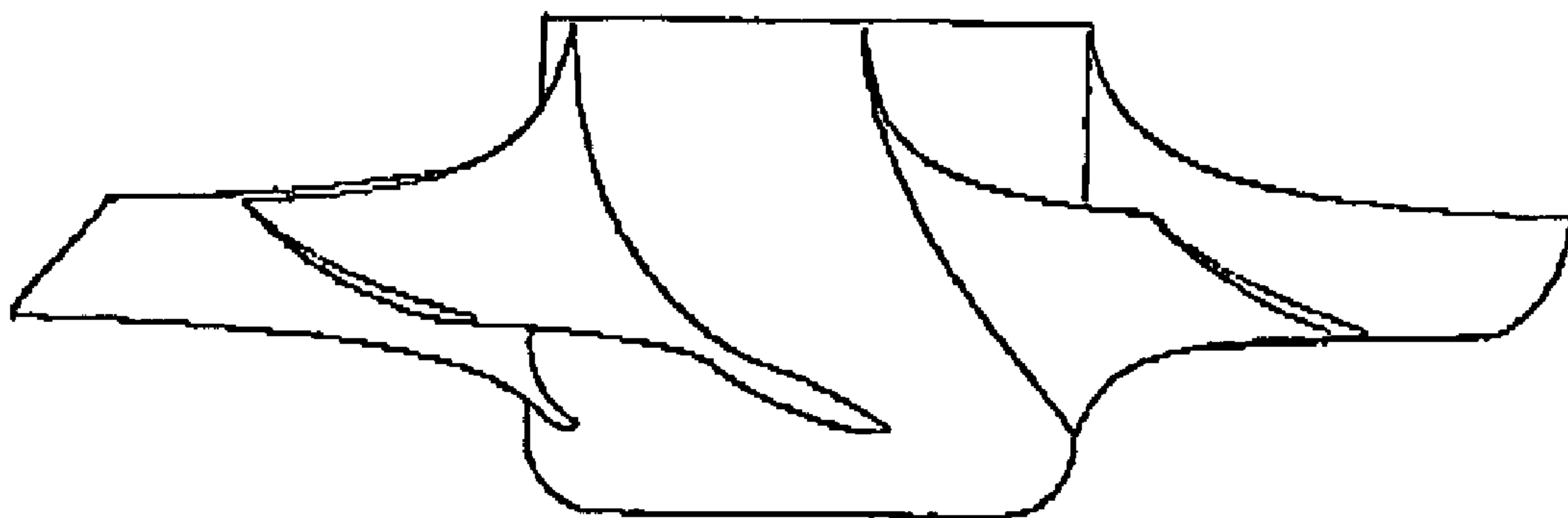
FRONT

FIG. 3



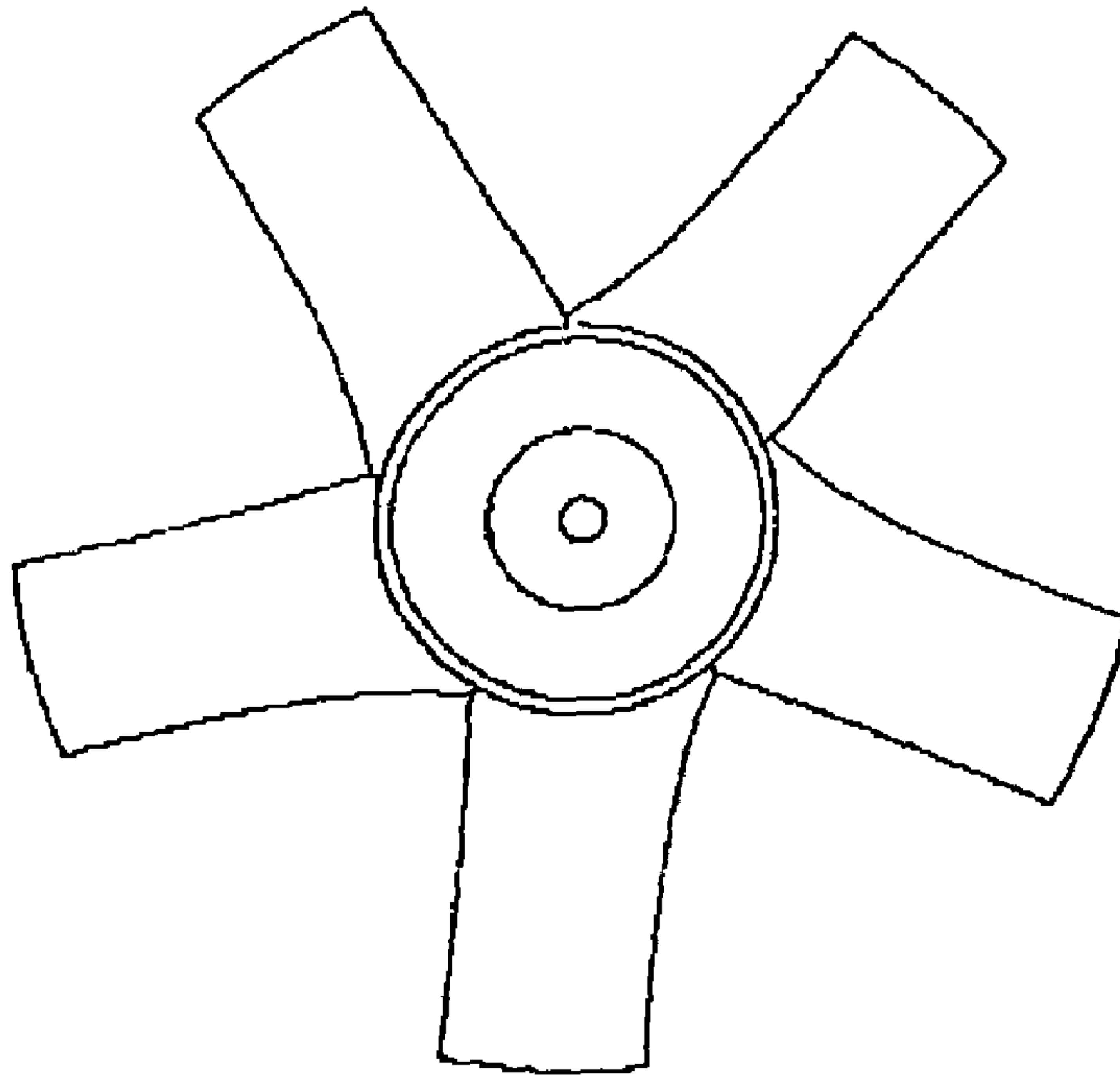
LEFT

FIG. 4



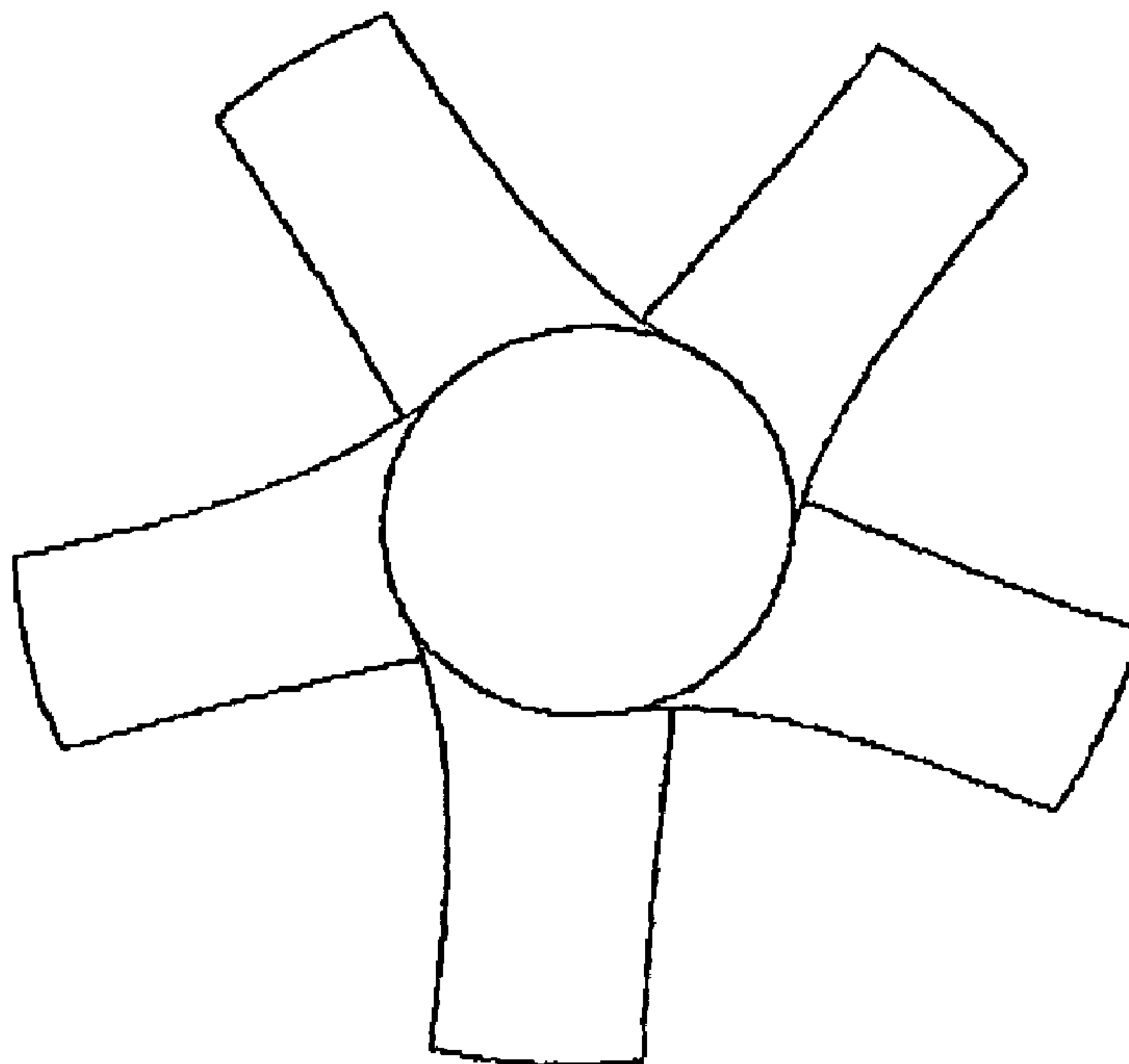
RIGHT

FIG. 5



BOTTOM

FIG. 6



TOP