



US00D566261S

(12) **United States Design Patent**
Brown

(10) **Patent No.:** **US D566,261 S**

(45) **Date of Patent:** **** Apr. 8, 2008**

(54) **AIR DIFFUSER**

(75) Inventor: **Carlton E. Brown**, Tucson, AZ (US)

(73) Assignee: **AirConcepts, Inc.**, Tucson, AZ (US)

(**) Term: **14 Years**

(21) Appl. No.: **29/253,080**

(22) Filed: **Jan. 31, 2006**

(51) **LOC (8) Cl.** **23-04**

(52) **U.S. Cl.** **D23/388**

(58) **Field of Classification Search** D23/388,
D23/386, 387, 392, 393, 401, 324-327, 370;
D12/192; 49/74.1, 77.1, 80.1, 50-57; 454/155,
454/278, 279, 309

See application file for complete search history.

(56) **References Cited**

U.S. PATENT DOCUMENTS

3,185,181	A *	5/1965	Demyan	454/309
D219,588	S *	12/1970	Laupot	D23/370
D233,039	S *	10/1974	Dixon	D23/325
D235,876	S *	7/1975	Dixon	D23/392
4,646,625	A *	3/1987	Schroeder	454/155
D290,745	S *	7/1987	Whitley, II	D23/388
D307,632	S *	5/1990	Schulz	D23/392
5,599,230	A *	2/1997	Naruse et al.	454/155
D413,665	S *	9/1999	Hudson	D23/393
D468,417	S *	1/2003	Leutz et al.	D23/393
D471,972	S *	3/2003	Hebert	D23/393
D495,047	S *	8/2004	Gilbert	D23/387
D506,003	S *	6/2005	Murphy et al.	D23/392

* cited by examiner

Primary Examiner—Louis Zarfaz
Assistant Examiner—David Muller

(74) *Attorney, Agent, or Firm*—Peter B. Scull; Berenbaum
Weinshienk & Eason

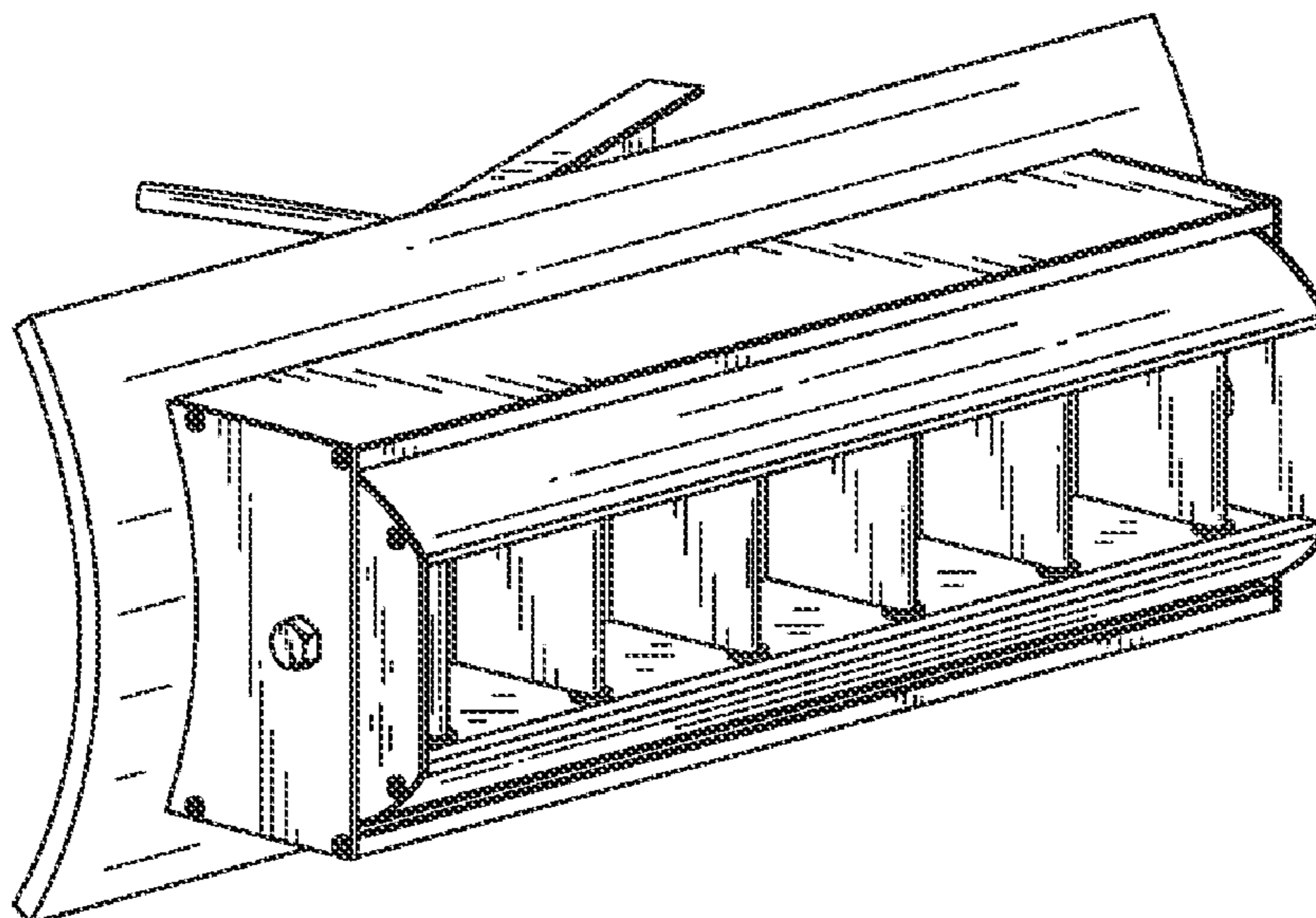
(57) **CLAIM**

The design for an air diffuser, as shown and described.

DESCRIPTION

FIG. 1 is an isometric view of an air diffuser;
 FIG. 2 is a front side elevational view of the air diffuser of FIG. 1;
 FIG. 3 is a back side elevational view of the air diffuser of FIG. 1;
 FIG. 4 is a first side elevational view of the air diffuser of FIG. 1;
 FIG. 5 is a second side elevational view of the air diffuser of FIG. 1;
 FIG. 6 is a top plan view of the air diffuser of FIG. 1;
 FIG. 7 is a bottom plan view of the air diffuser of FIG. 1;
 FIG. 8 is an isometric view of a second embodiment of an air diffuser like that of FIG. 1.
 FIG. 9 is a front side elevational view of the air diffuser of FIG. 8;
 FIG. 10 is a back side elevational view of the air diffuser of FIG. 8;
 FIG. 11 is a first side elevational view of the air diffuser of FIG. 8;
 FIG. 12 is a second side elevational view of the air diffuser of FIG. 8;
 FIG. 13 is a top plan view of the air diffuser of FIG. 8; and,
 FIG. 14 is a bottom plan view of the air diffuser of FIG. 8.

1 Claim, 9 Drawing Sheets



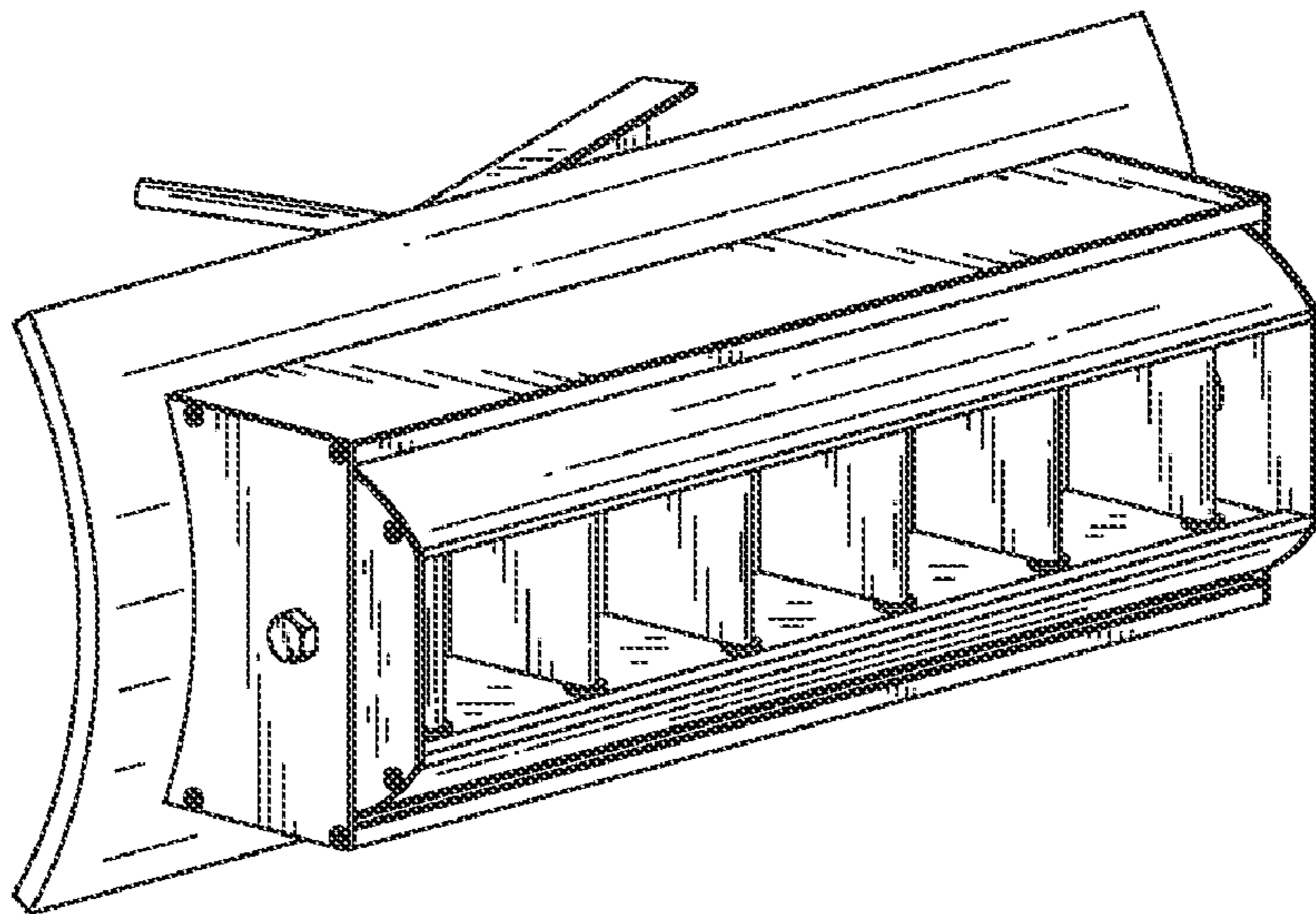


FIG.1

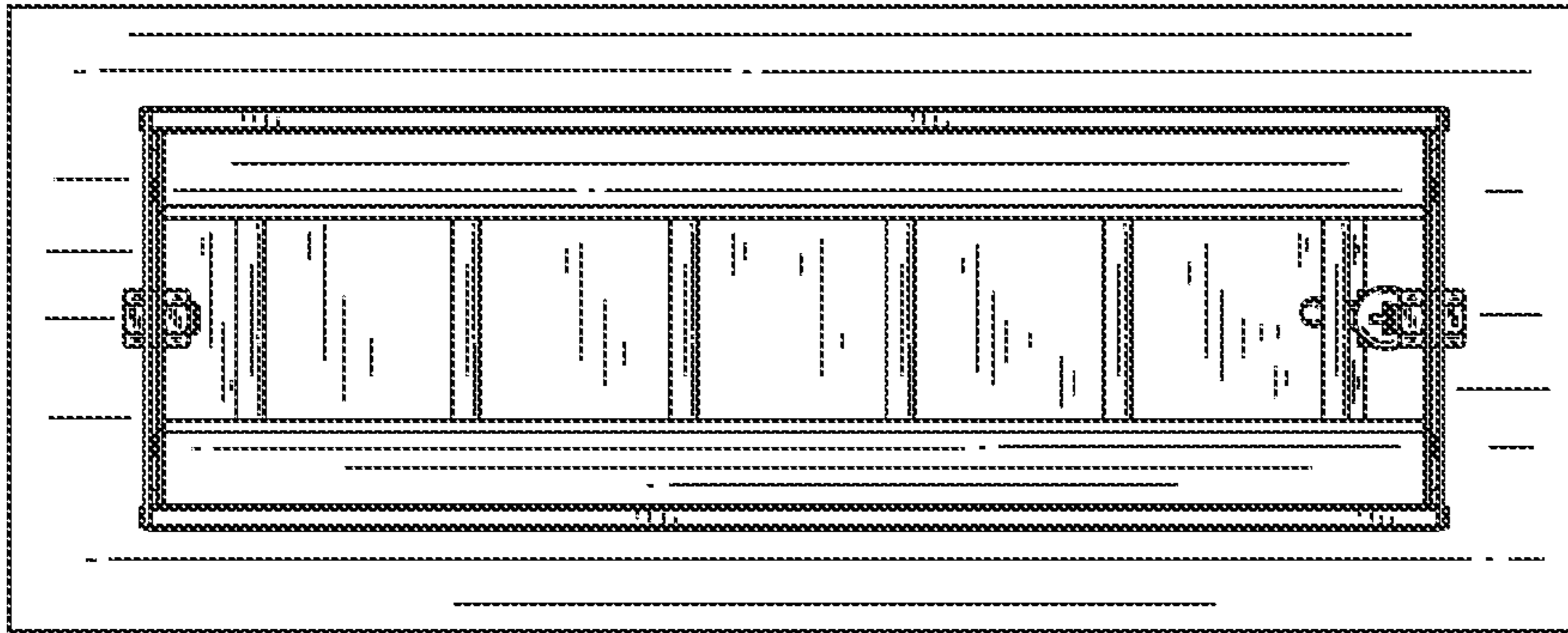


FIG. 2

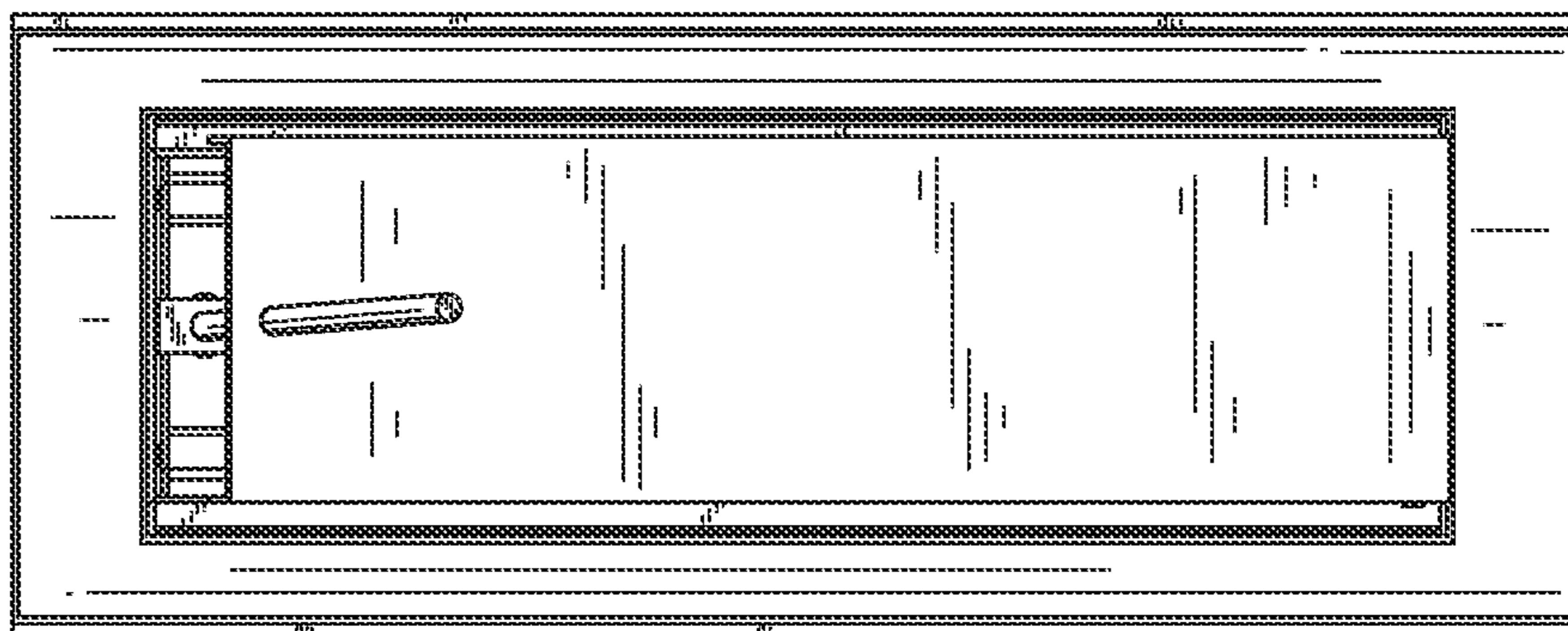


FIG. 3

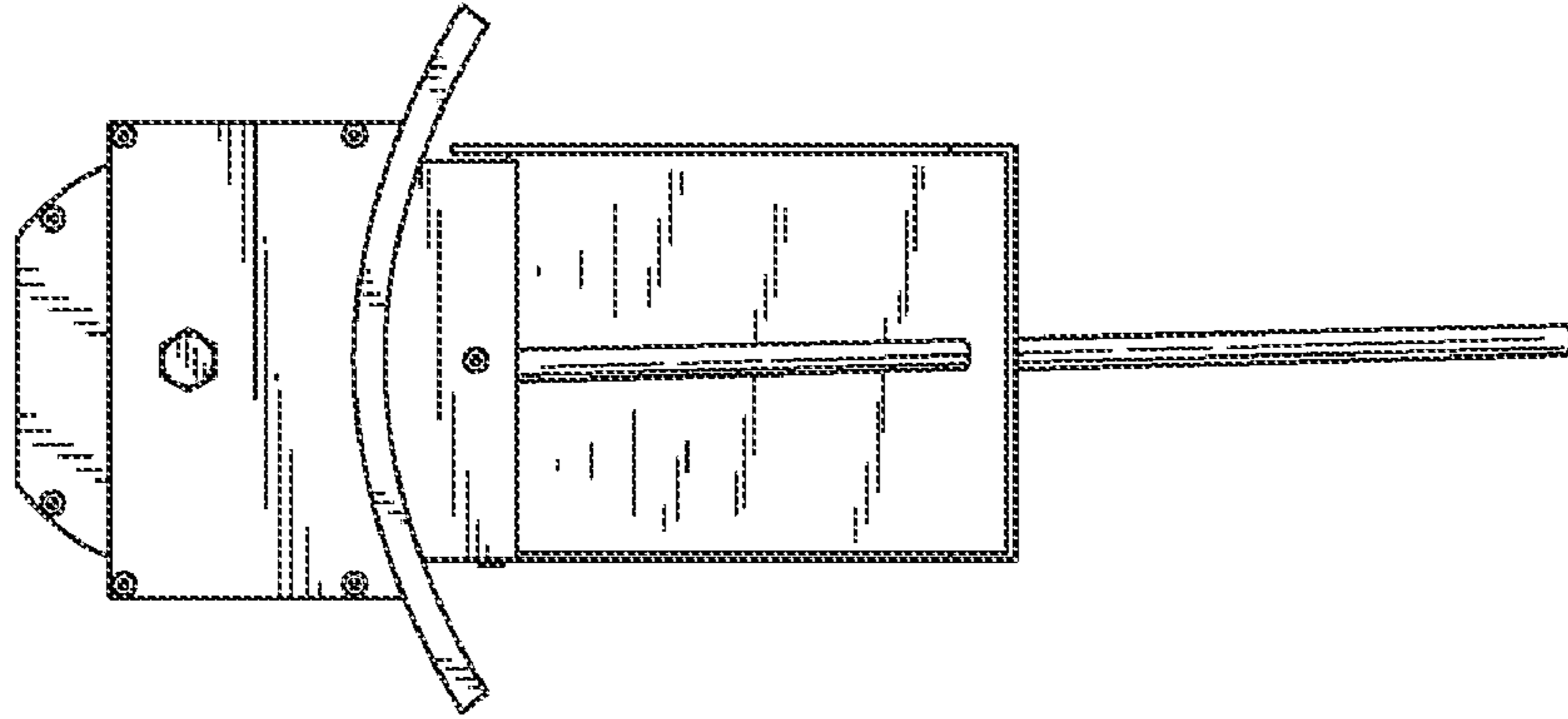


FIG.4

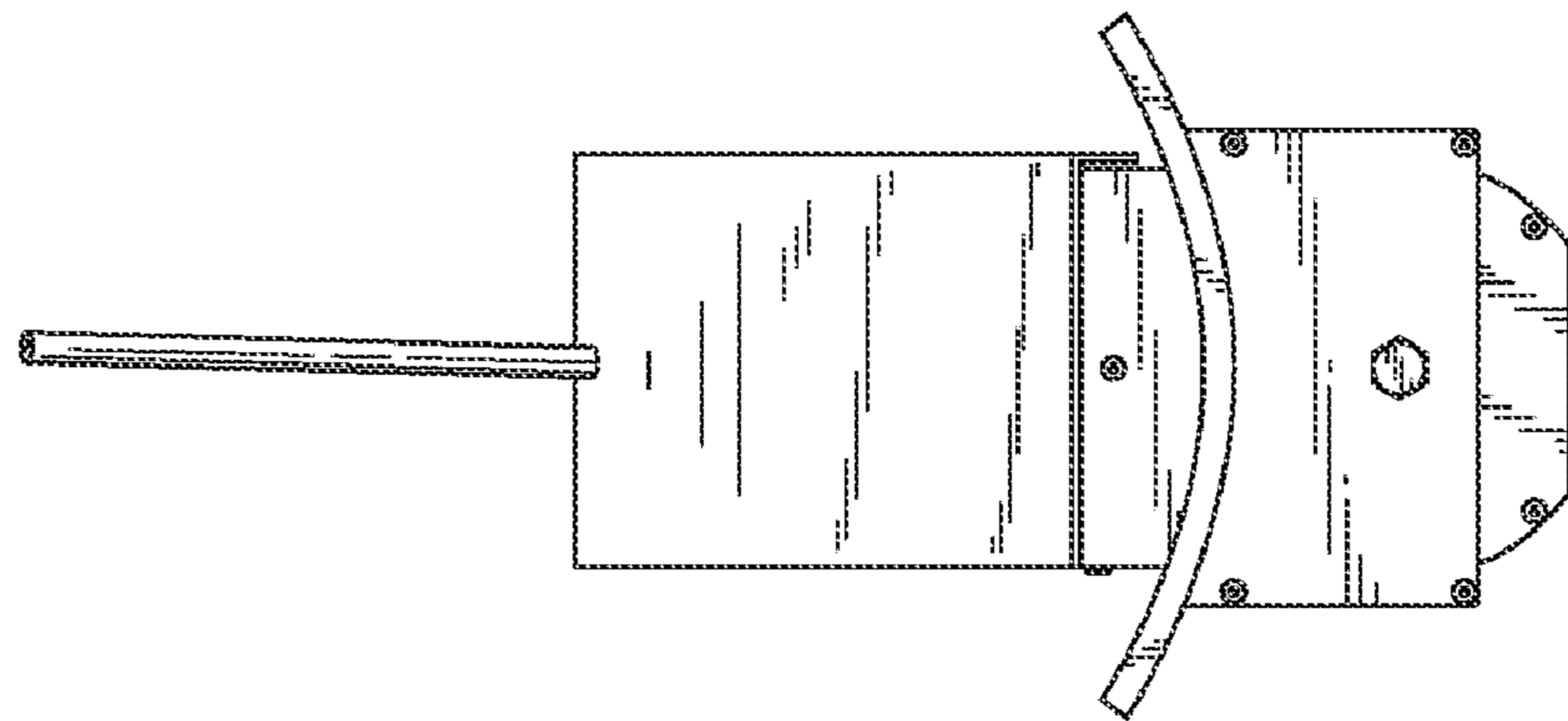


FIG.5

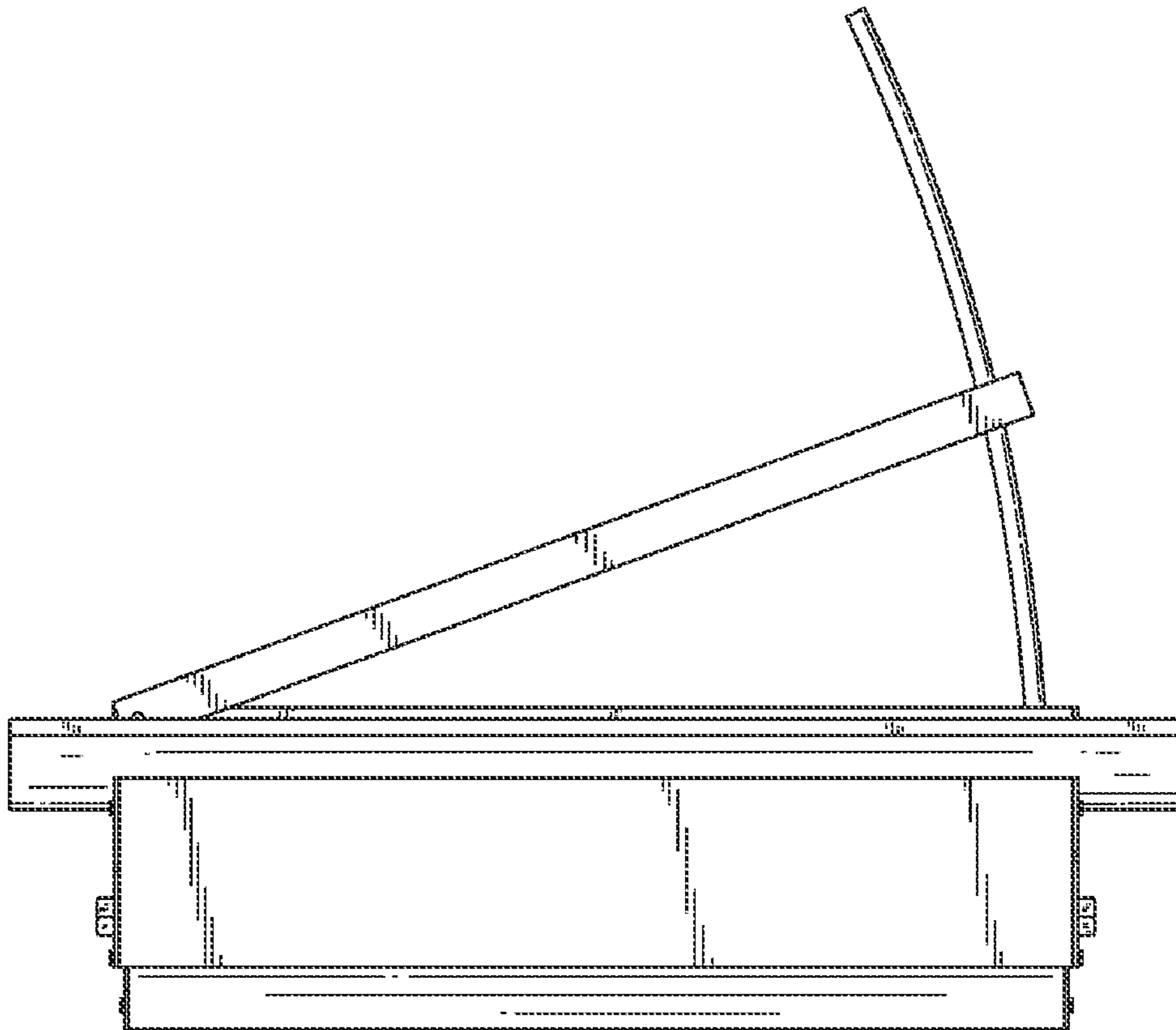


FIG.6

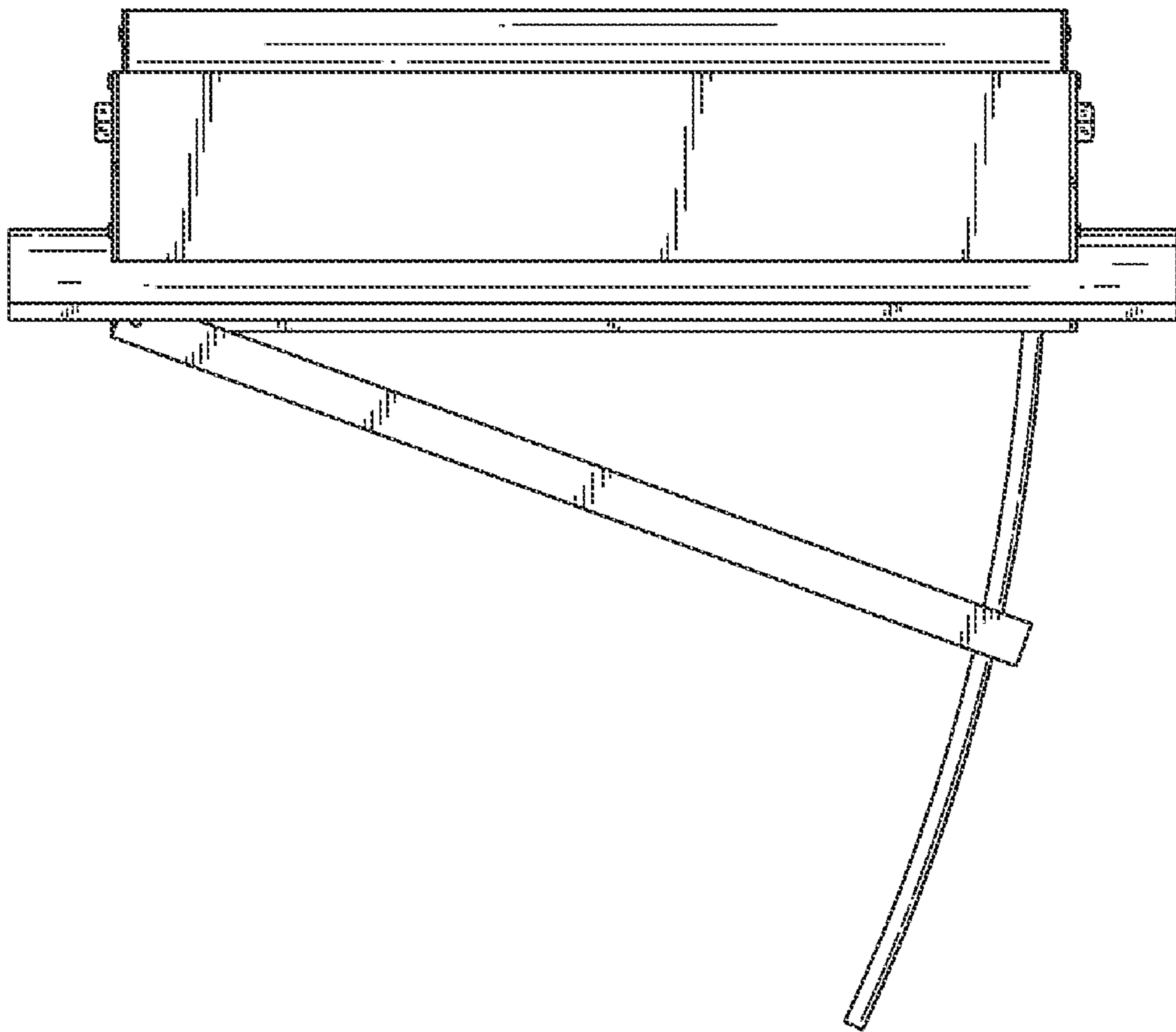


FIG.7

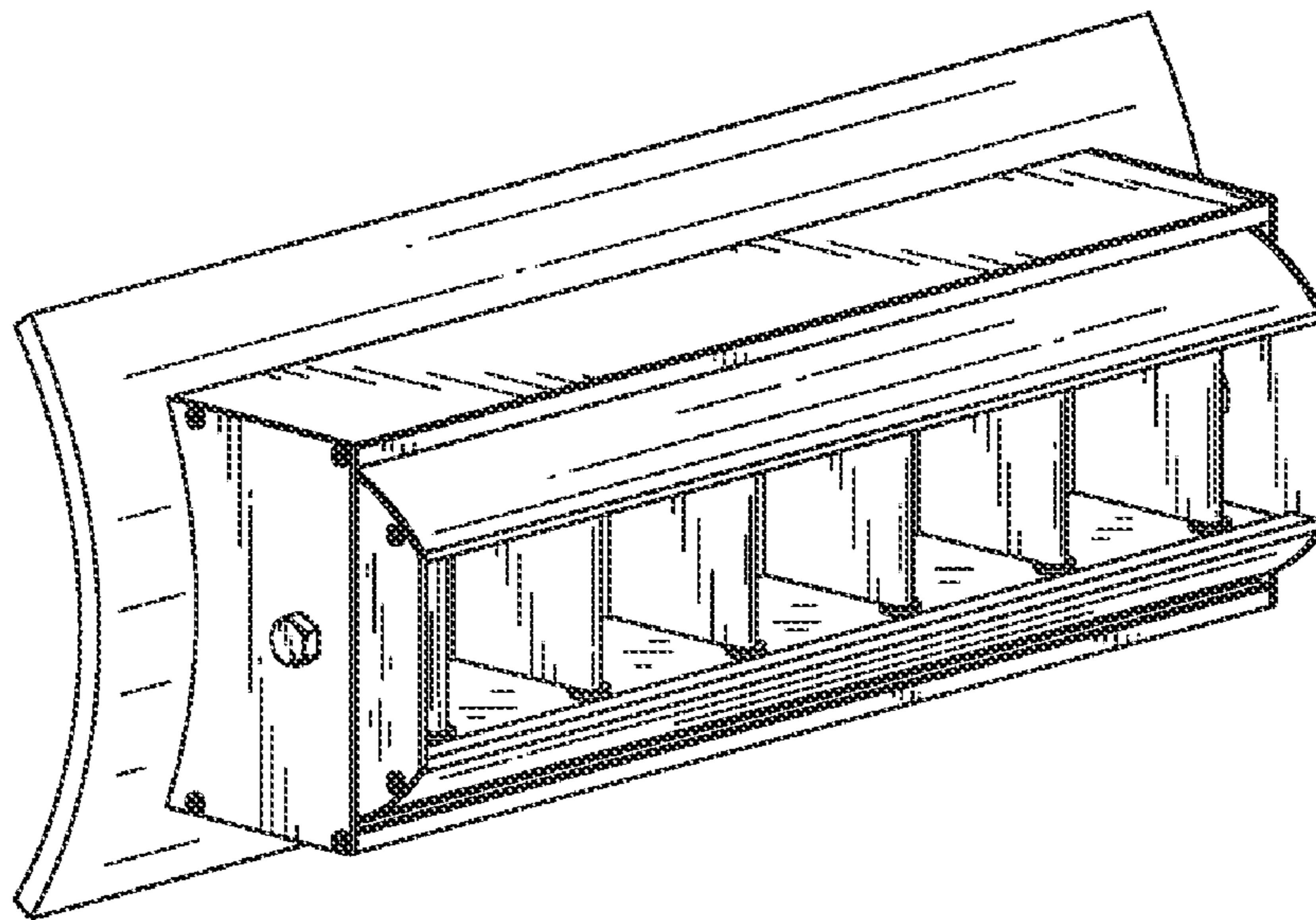


FIG.8

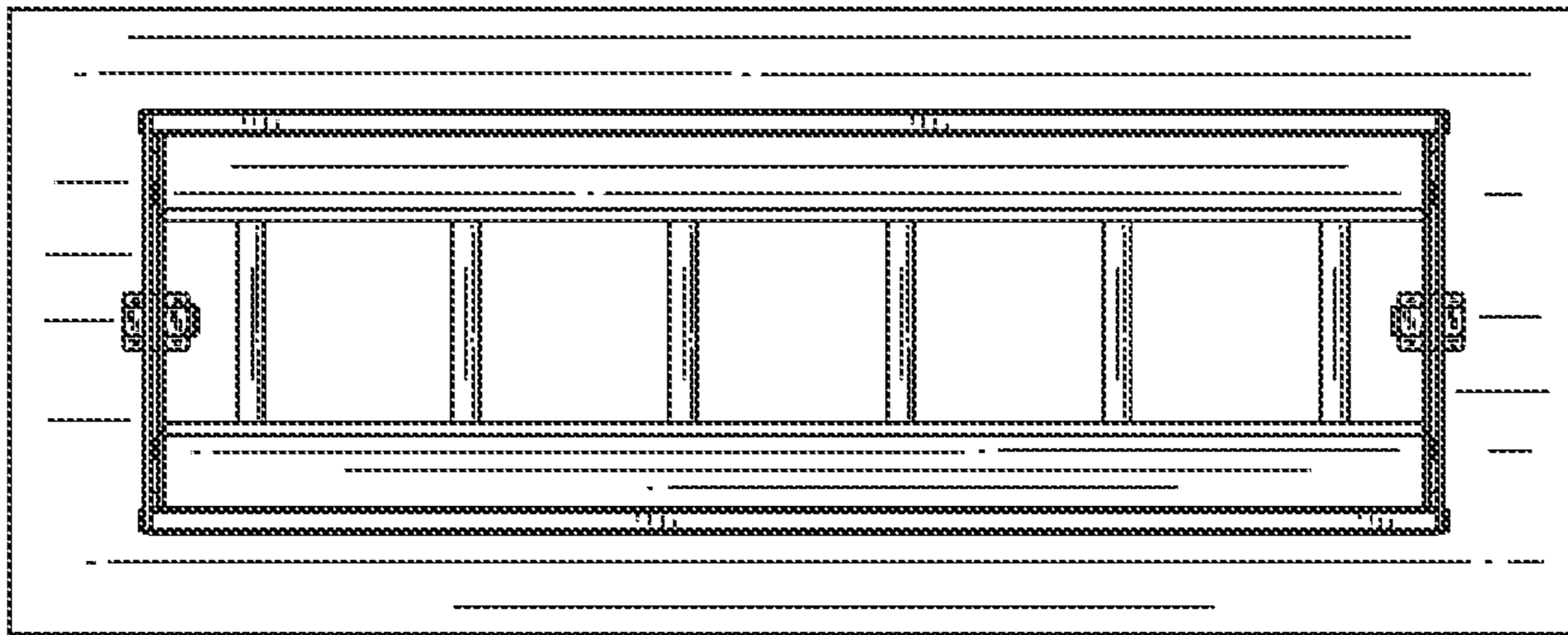


FIG. 9

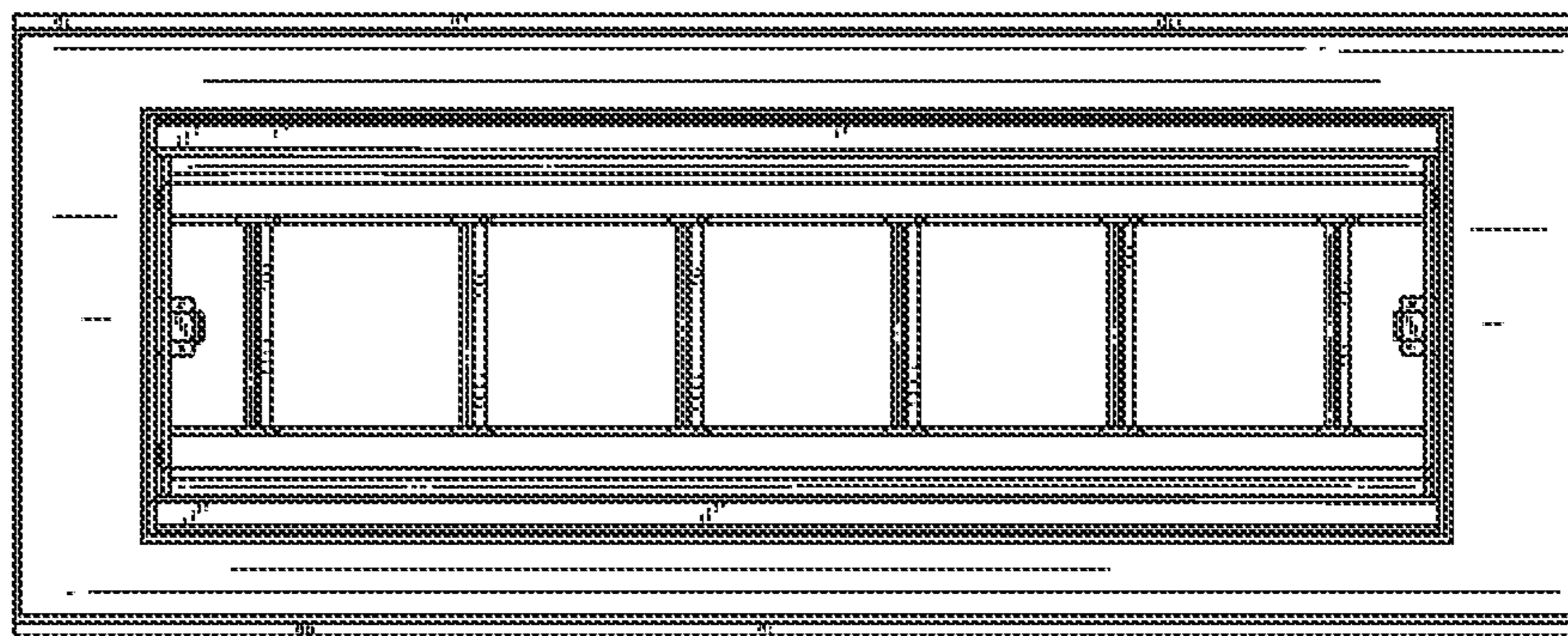


FIG. 10

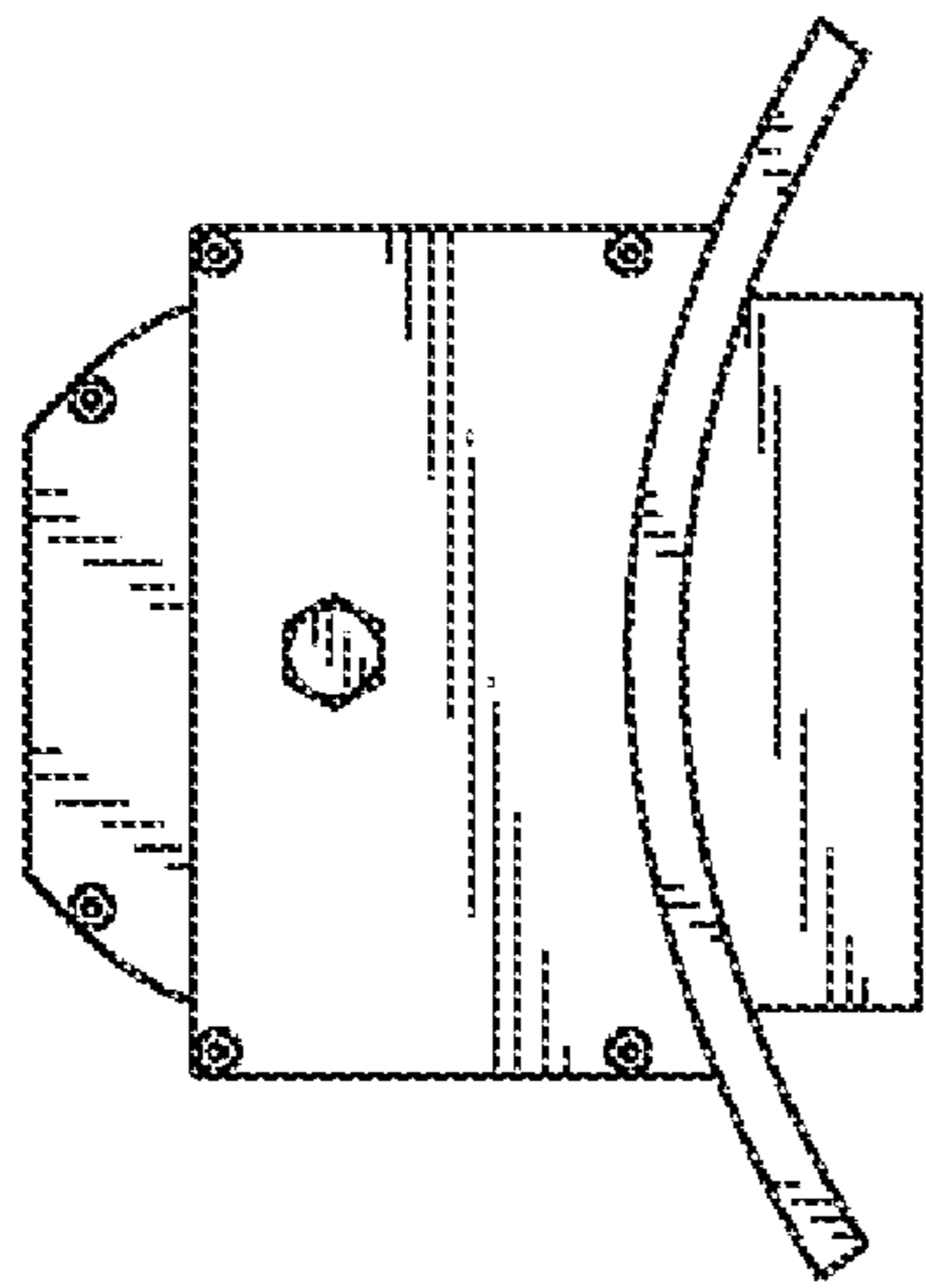


FIG. 11

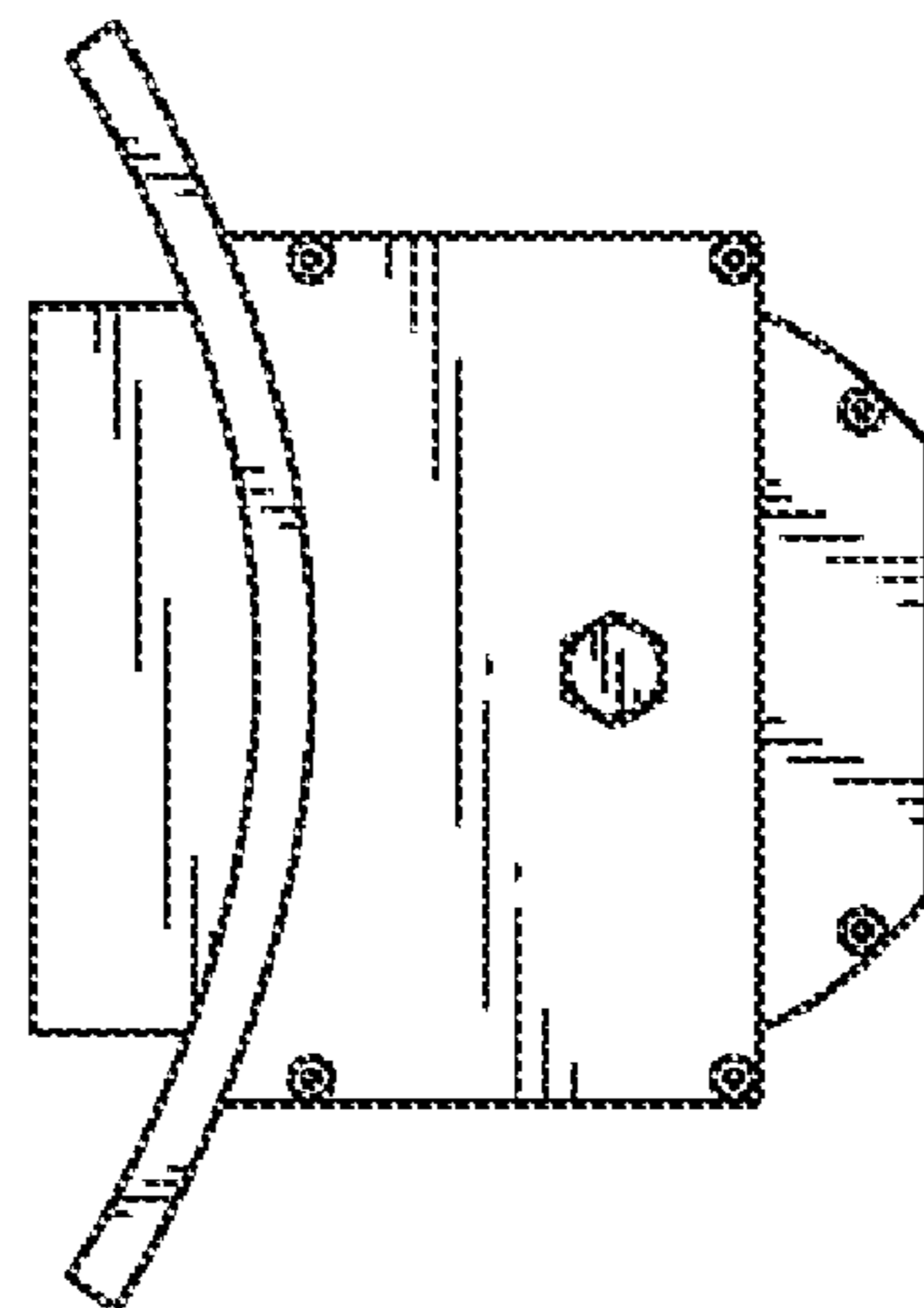


FIG. 12



FIG. 13

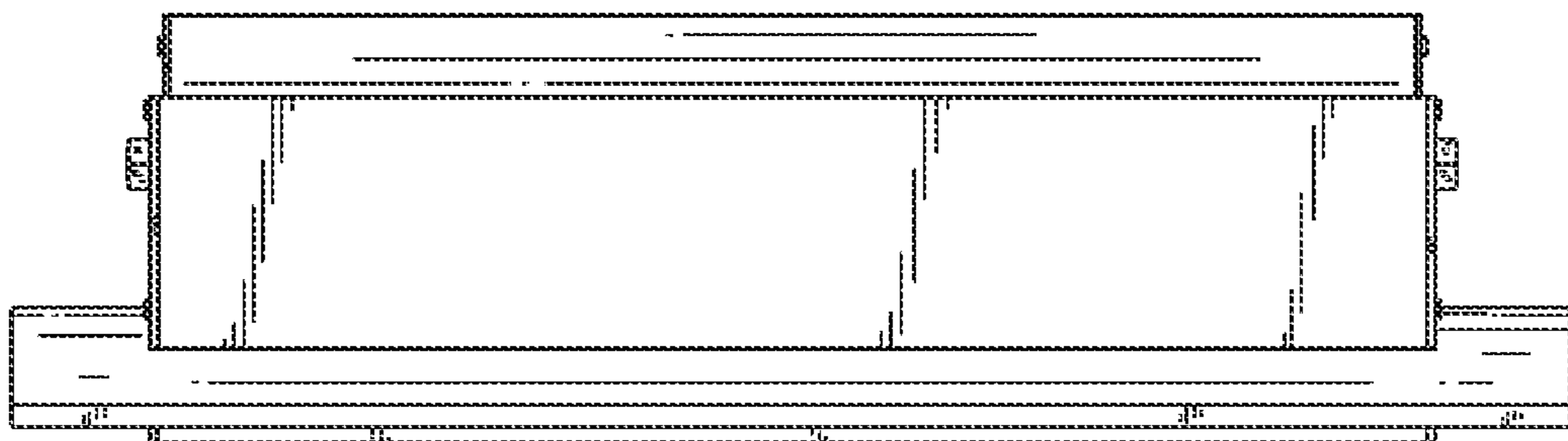


FIG. 14