



US00D566260S

(12) **United States Design Patent**
Chen

(10) **Patent No.:** **US D566,260 S**
(45) **Date of Patent:** **** Apr. 8, 2008**

(54) **DESK FAN WITH A PIVOTAL STAND**

(76) Inventor: **Yung Chen**, 3 Larkspur La., Clarendon Hills, IL (US) 60514

(**) Term: **14 Years**

(21) Appl. No.: **29/273,881**

(22) Filed: **Mar. 16, 2007**

(51) **LOC (8) Cl.** **23-04**

(52) **U.S. Cl.** **D23/382**

(58) **Field of Classification Search** D23/382,
D23/381, 332, 370, 411, 412; 416/246 R,
416/247 R, 244 R

See application file for complete search history.

(56) **References Cited**

U.S. PATENT DOCUMENTS

4,341,151	A	*	7/1982	Sakamoto	454/209
D407,478	S	*	3/1999	Wilson, Jr.	D23/370
D449,373	S	*	10/2001	Pinchuk	D23/382
D459,460	S	*	6/2002	Melwani	D23/370
D510,994	S	*	10/2005	Indio Da Costa	D23/382
D546,436	S	*	7/2007	Chen et al.	D23/382
D546,933	S	*	7/2007	Chen	D23/382

* cited by examiner

Primary Examiner—Lisa Lichtenstein

(74) *Attorney, Agent, or Firm*—Basil Demeur; Alan Samlan; David Hurley

(57) **CLAIM**

I claim the ornamental design for a desk fan with a pivotal stand, as shown and described.

DESCRIPTION

FIG. 1 is a front perspective view of the desk fan with a pivotal stand in the open position;

FIG. 2 is a rear perspective view of the desk fan with a pivotal stand in the open position;

FIG. 3 is a front elevational view of the desk fan with a pivotal stand in the open position;

FIG. 4 is a rear elevational view of the desk fan with a pivotal stand in the open position;

FIG. 5 is a side elevational view of the desk fan with a pivotal stand in the open position;

FIG. 6 is a side elevational view of the opposed side of the desk fan with a pivotal stand in the open position;

FIG. 7 is an enlarged top view showing the desk fan with a pivotal stand in the open position;

FIG. 8 is an enlarged bottom view of the desk fan with a pivotal stand in the open position;

FIG. 9 is a front perspective view of the desk fan with a pivotal stand in the closed position;

FIG. 10 is a front elevational view showing the desk fan with a pivotal stand in the closed position;

FIG. 11 is a rear perspective view showing the desk fan with a pivotal stand in the closed position;

FIG. 12 is a rear elevational view showing the desk fan with a pivotal stand in the closed position;

FIG. 13 is a side elevational view showing the desk fan with a pivotal stand in the closed position;

FIG. 14 is a side elevational view of the opposed side showing the desk fan with a pivotal stand in the closed position;

FIG. 15 is an enlarged top view showing the desk fan with a pivotal stand in the closed position; and,

FIG. 16 is an enlarged bottom view showing the desk fan with the pivotal stand in the closed position.

1 Claim, 16 Drawing Sheets

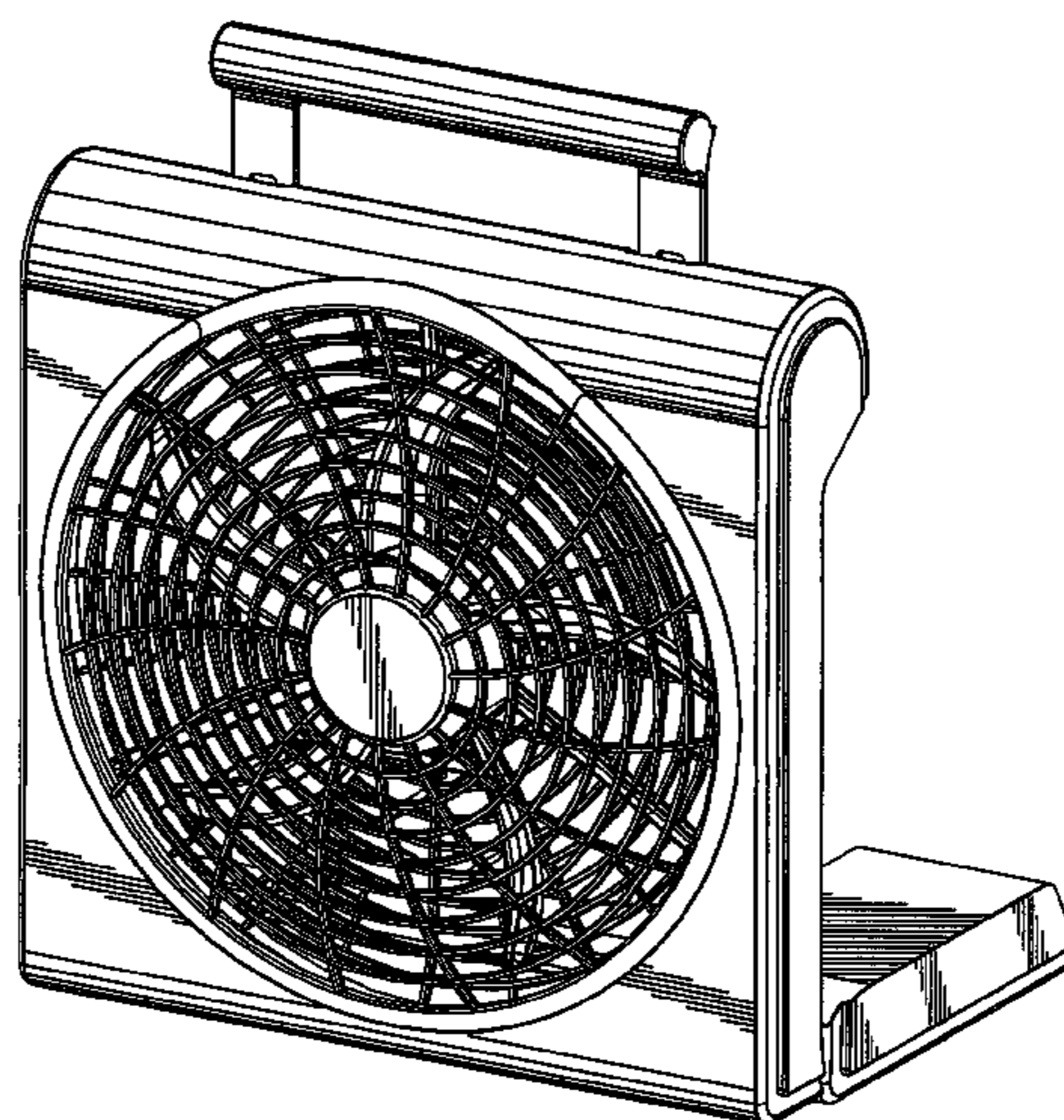


Fig. 1

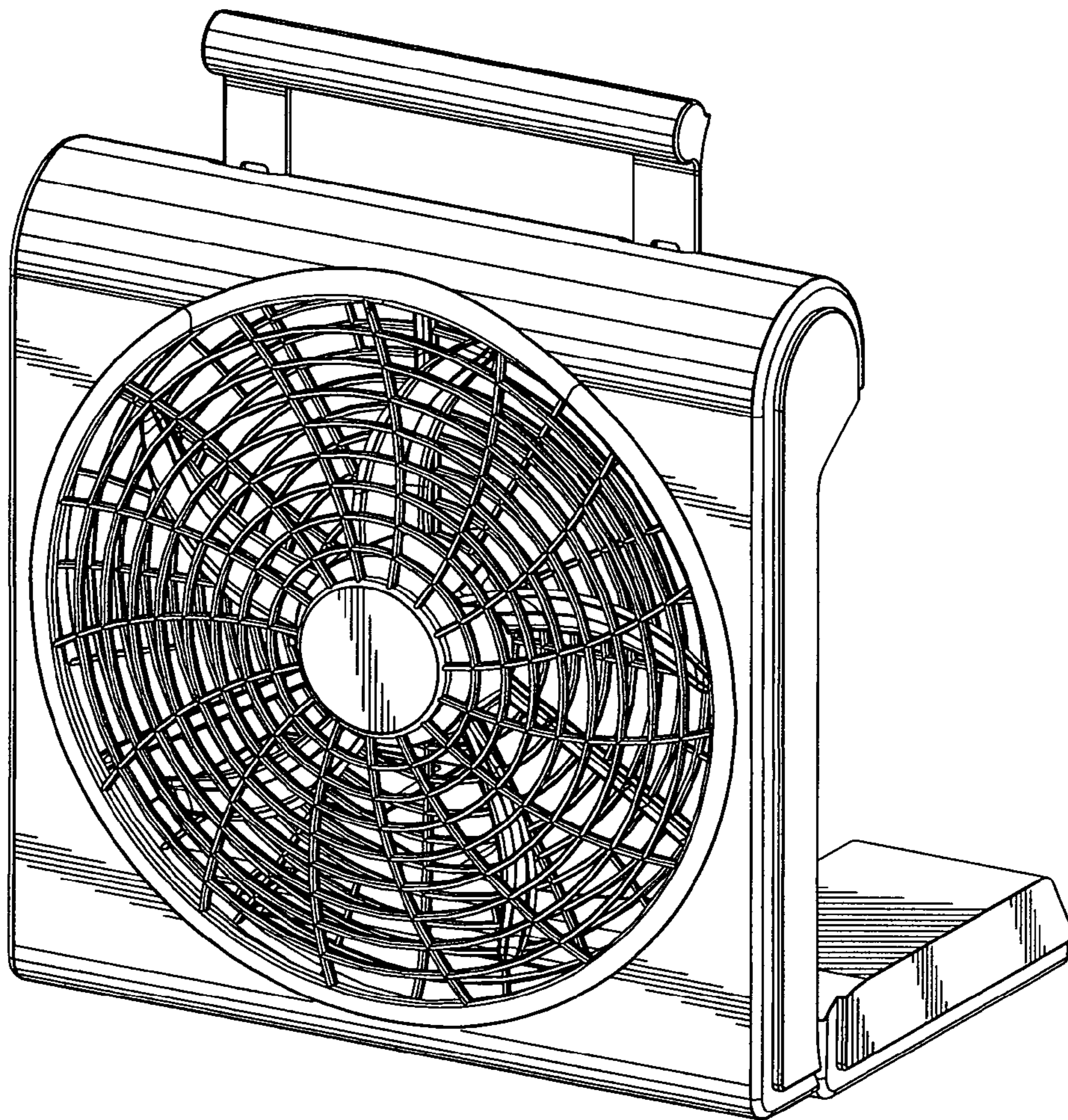


Fig. 2

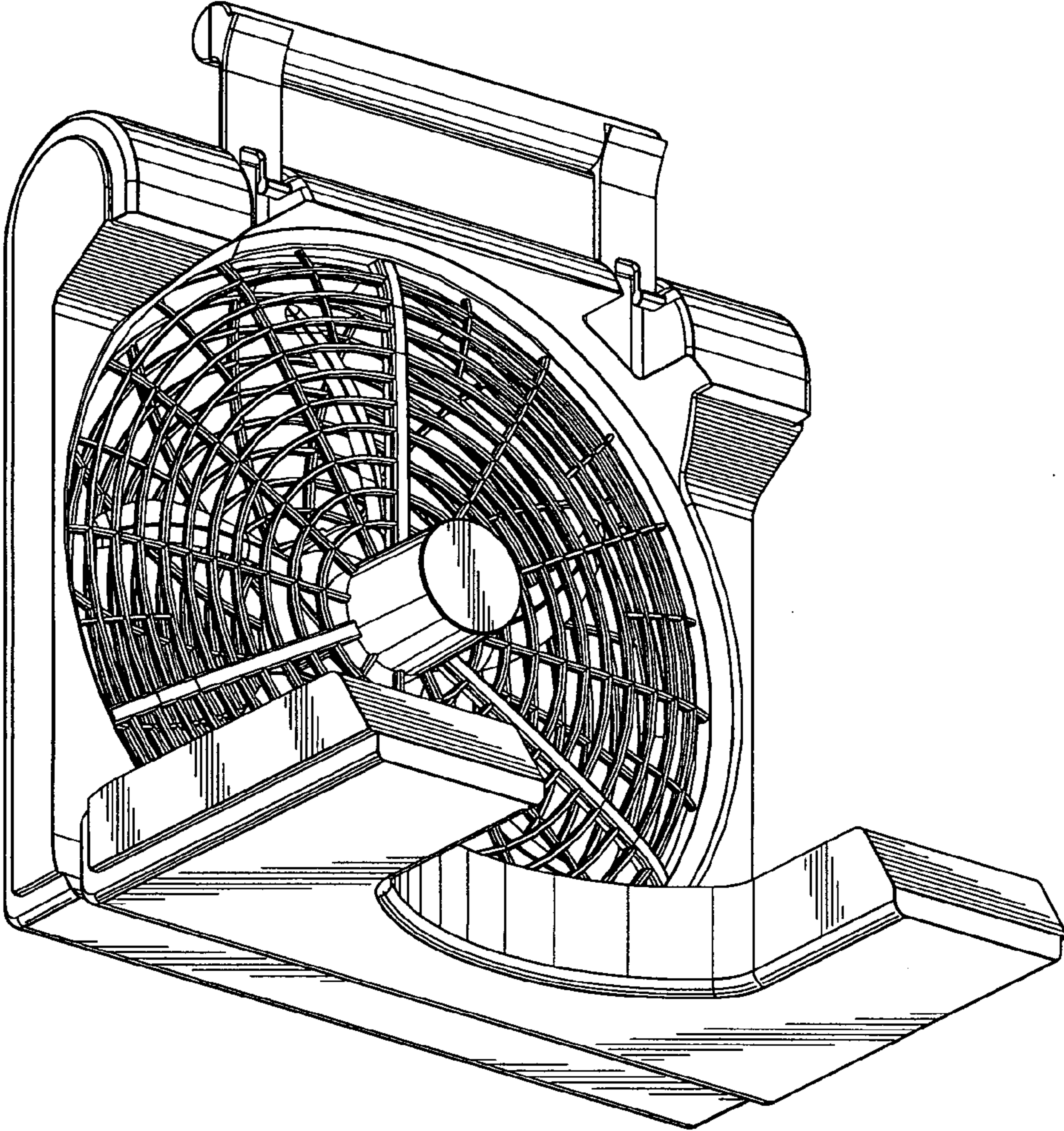


Fig. 3

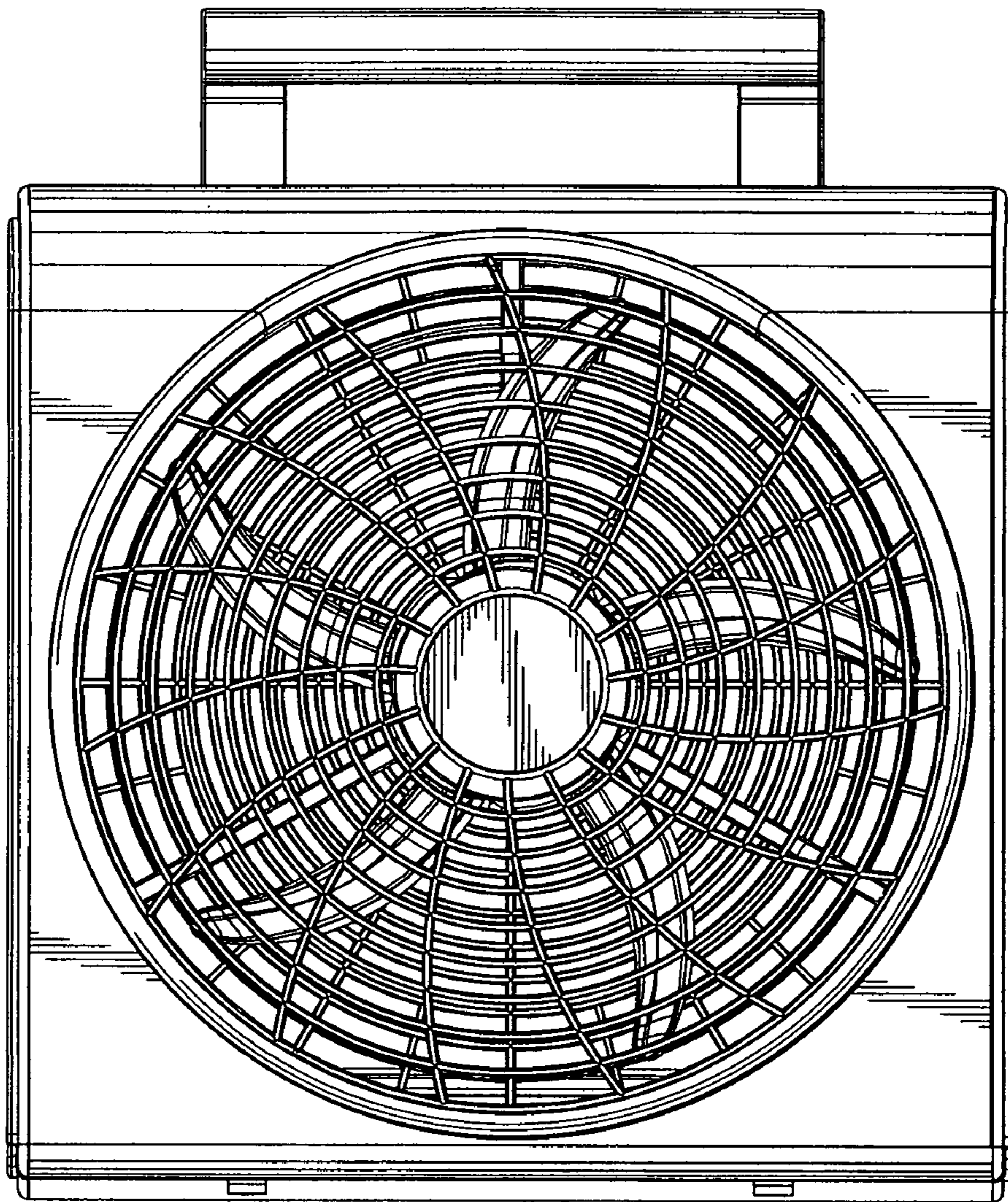


Fig. 4

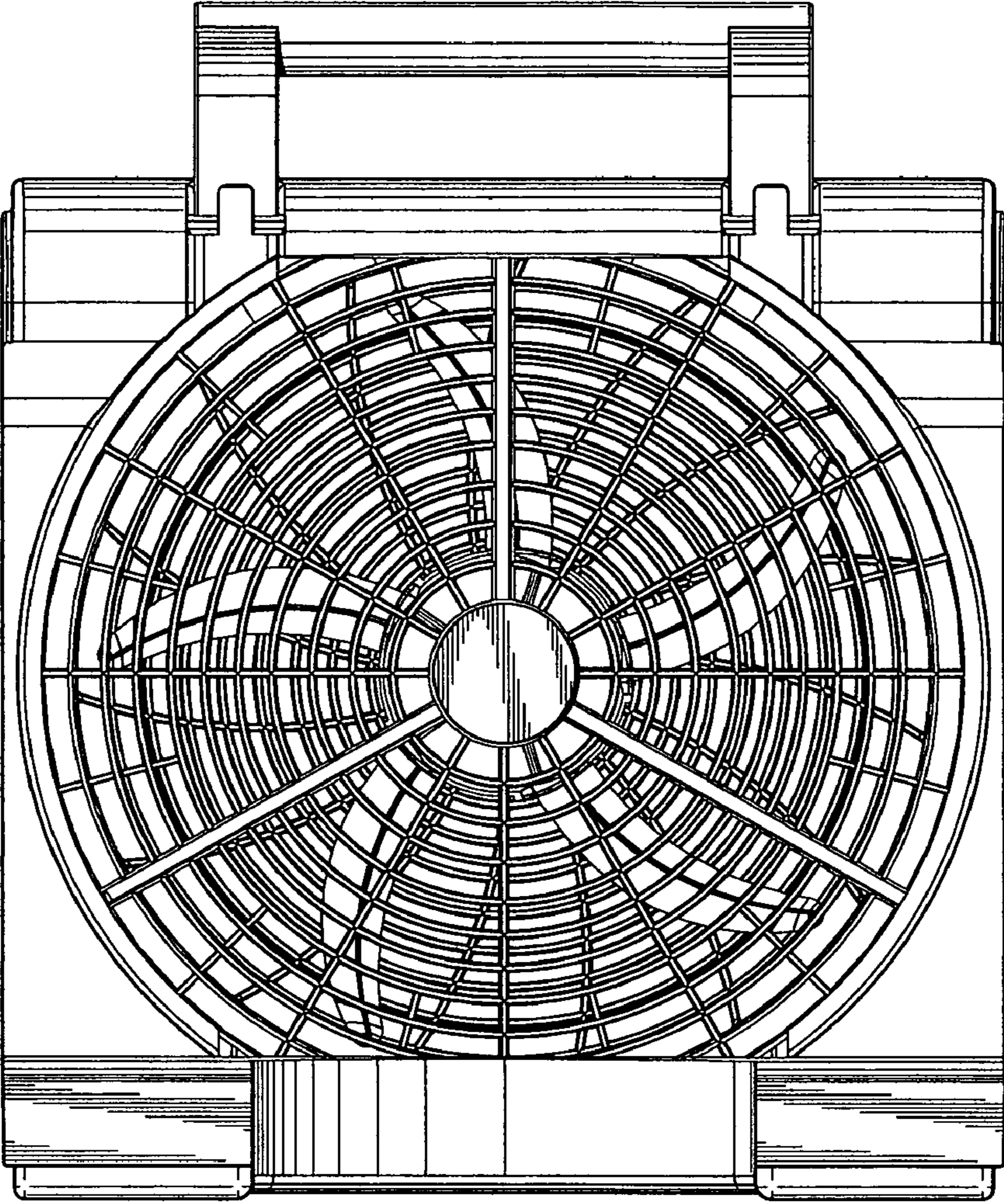


Fig. 5

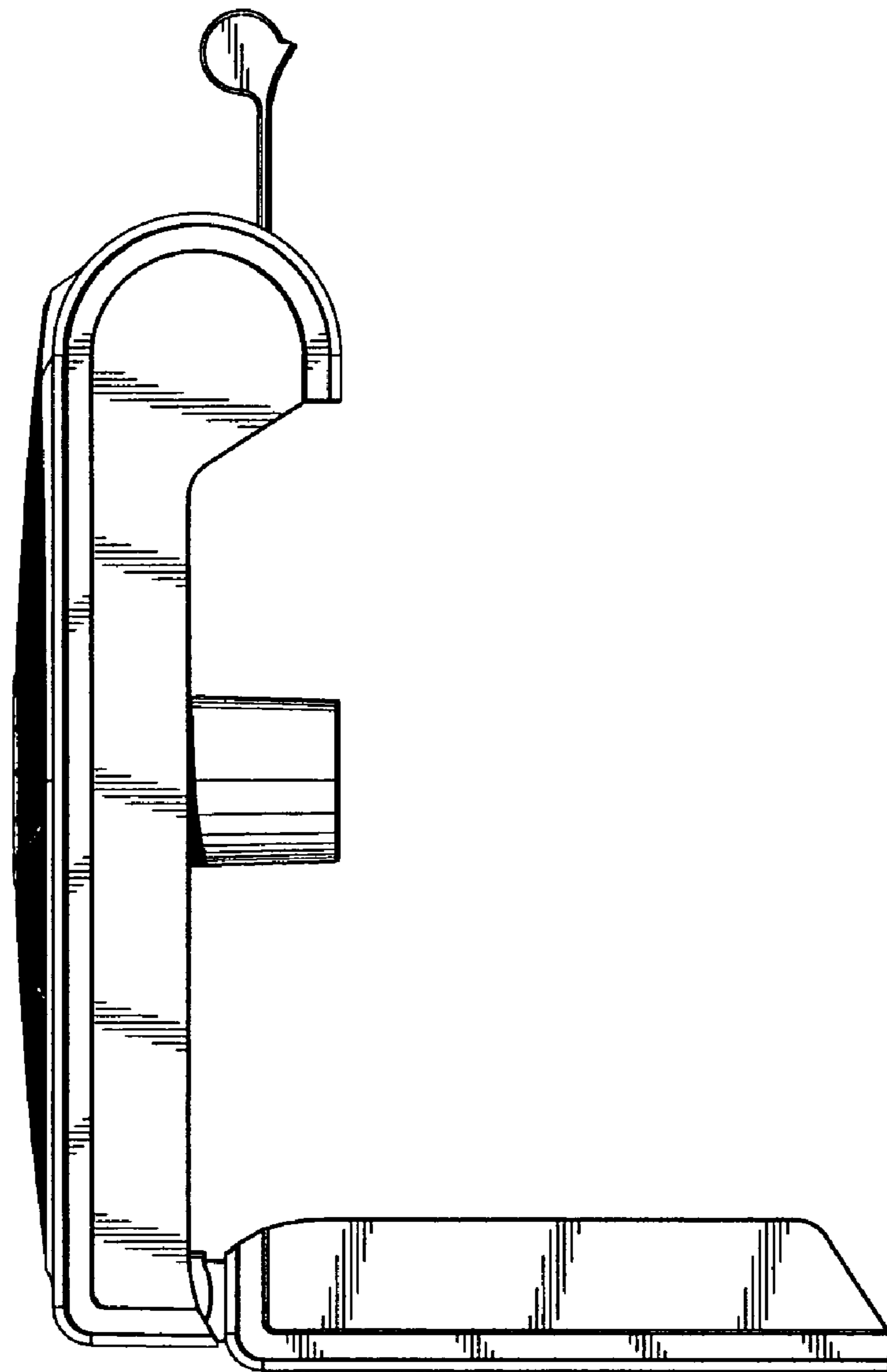


Fig. 6

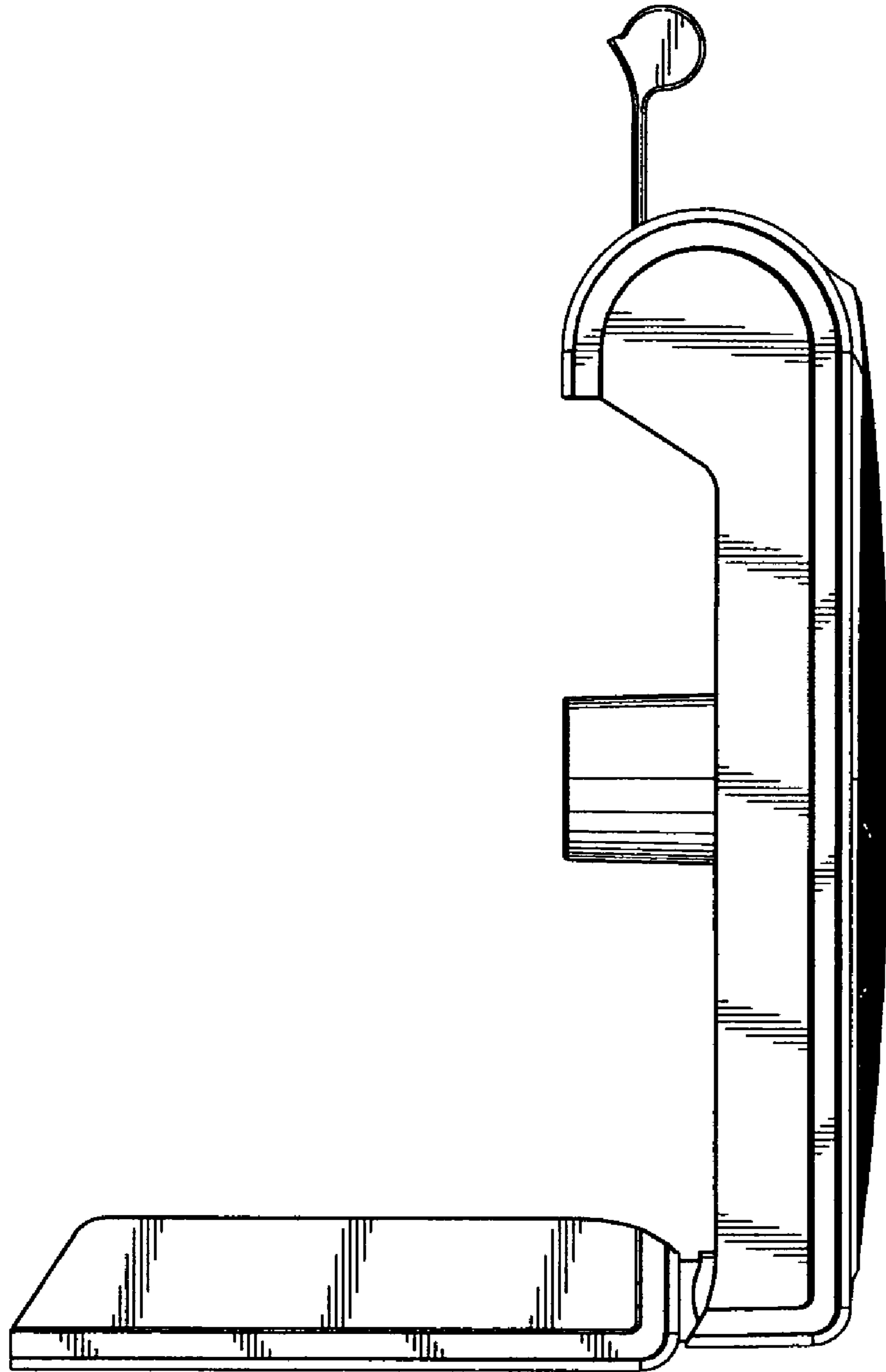


Fig. 7

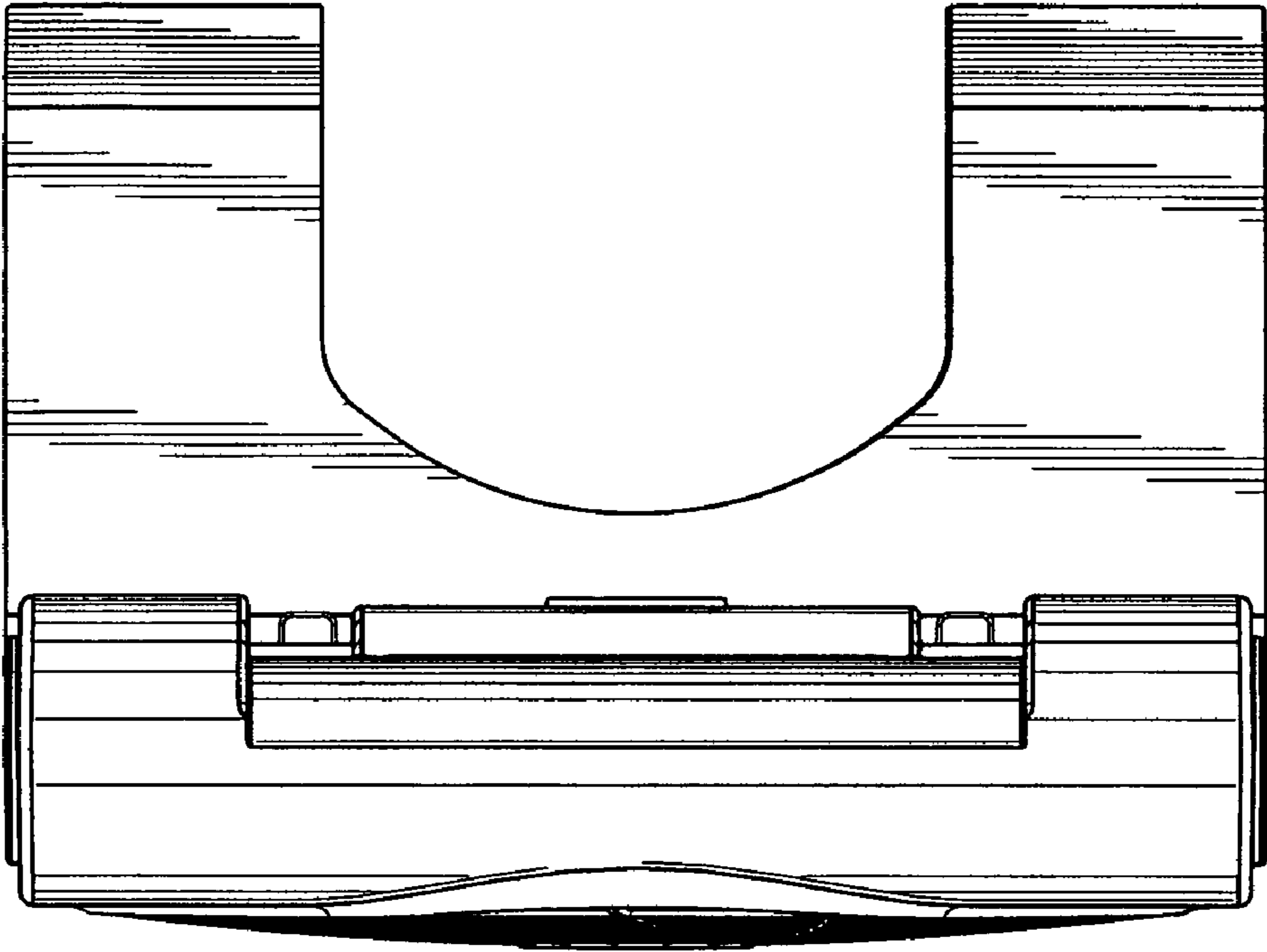


Fig. 8

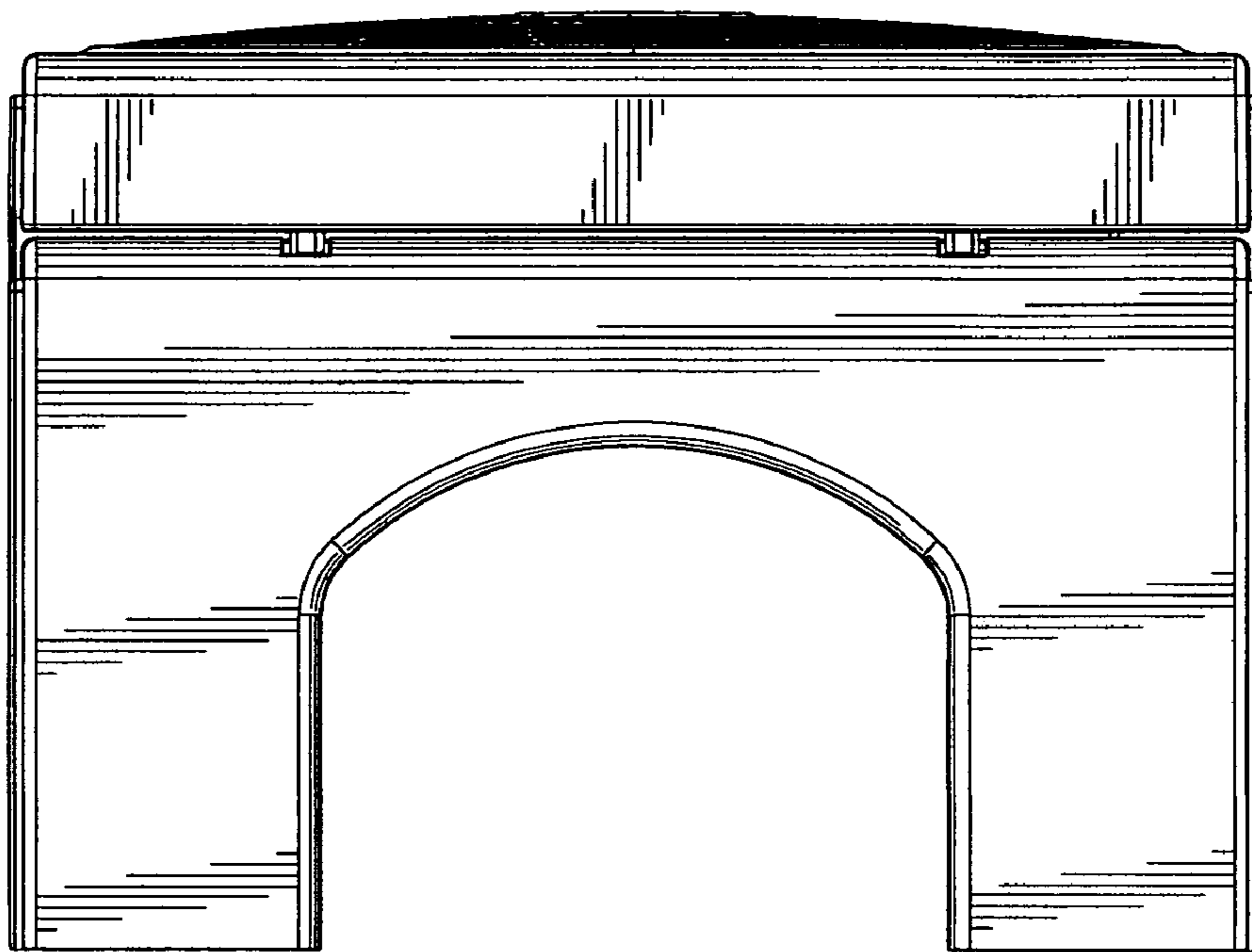


Fig. 9

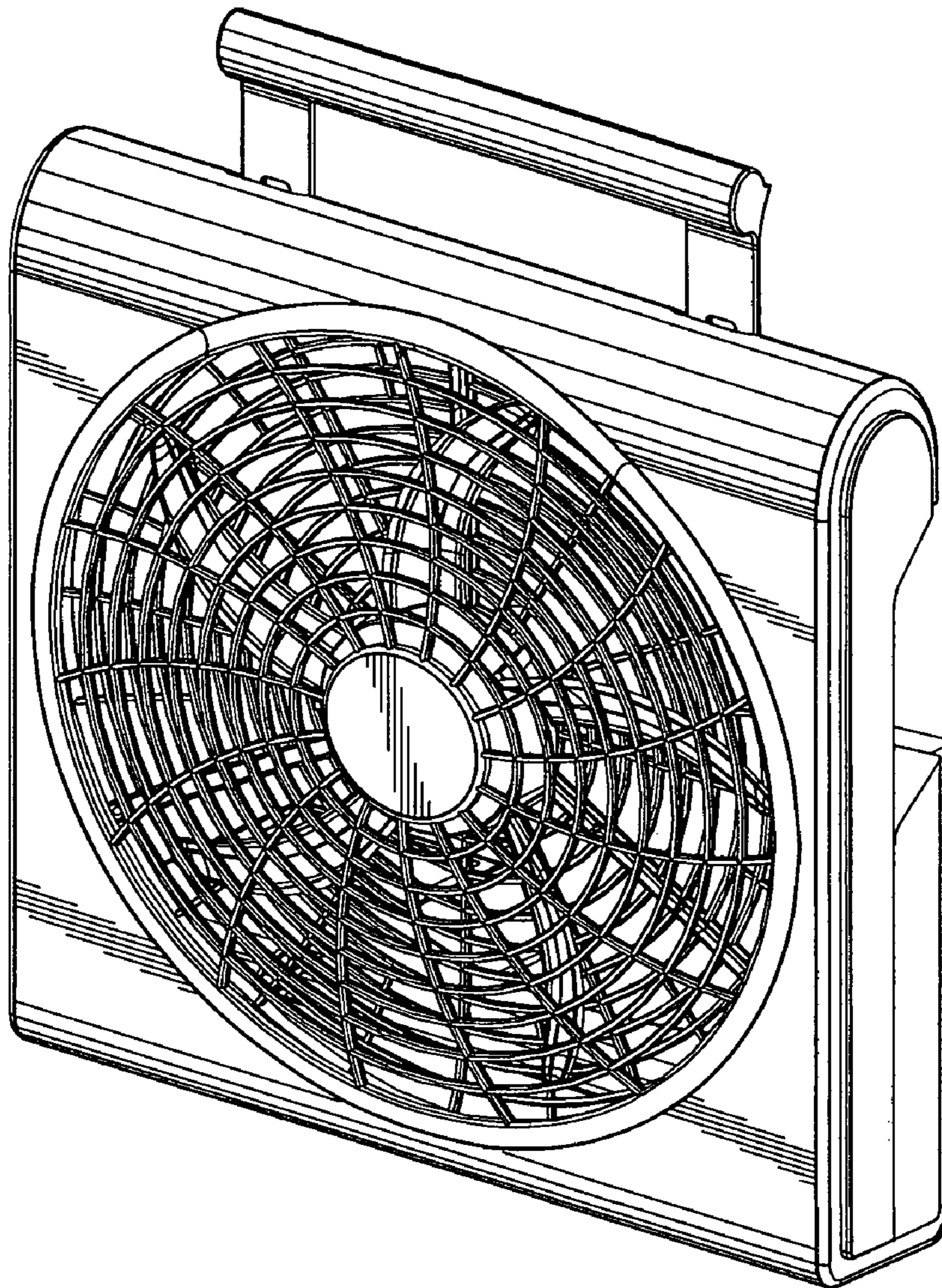


Fig. 10

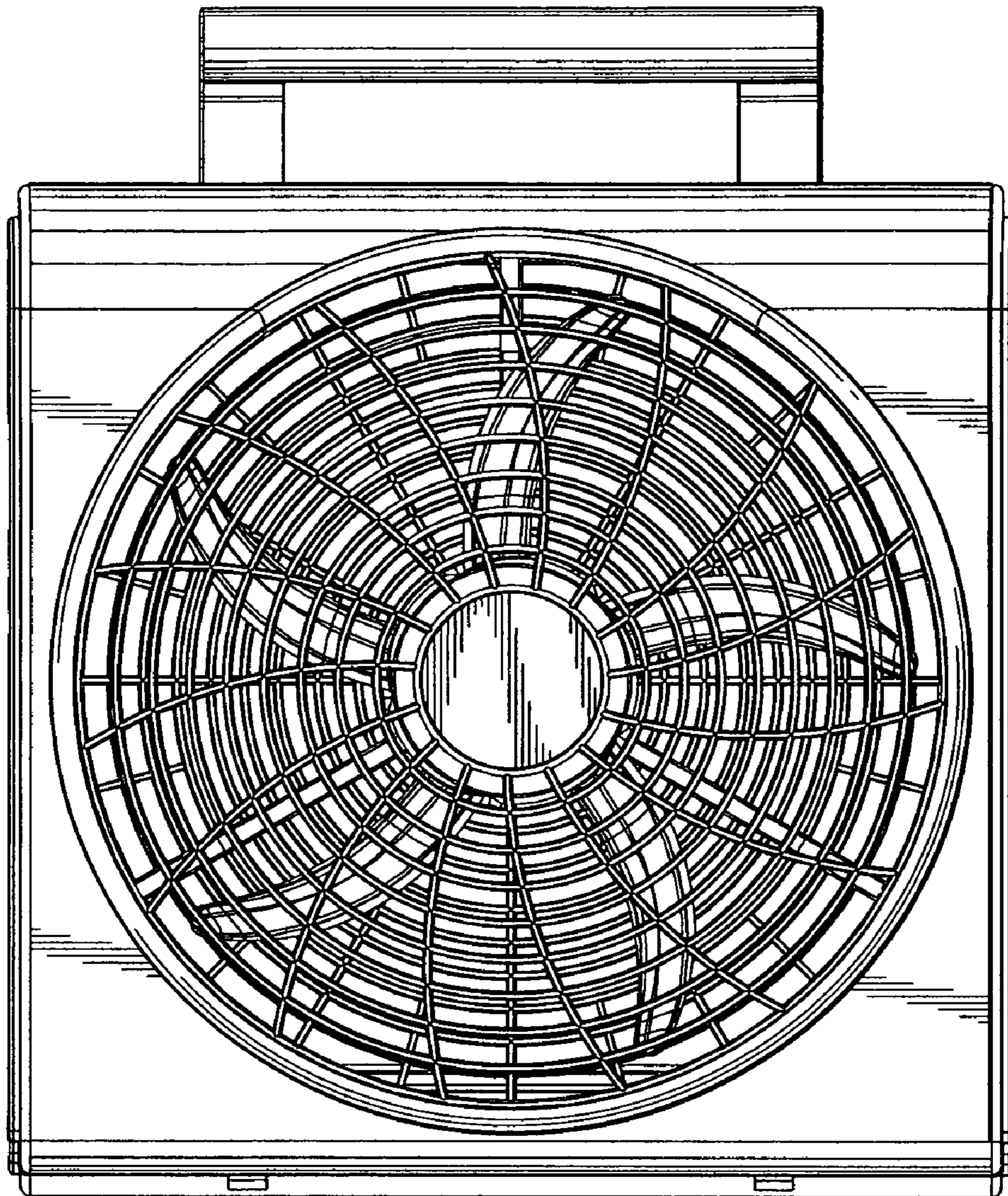


Fig. 11

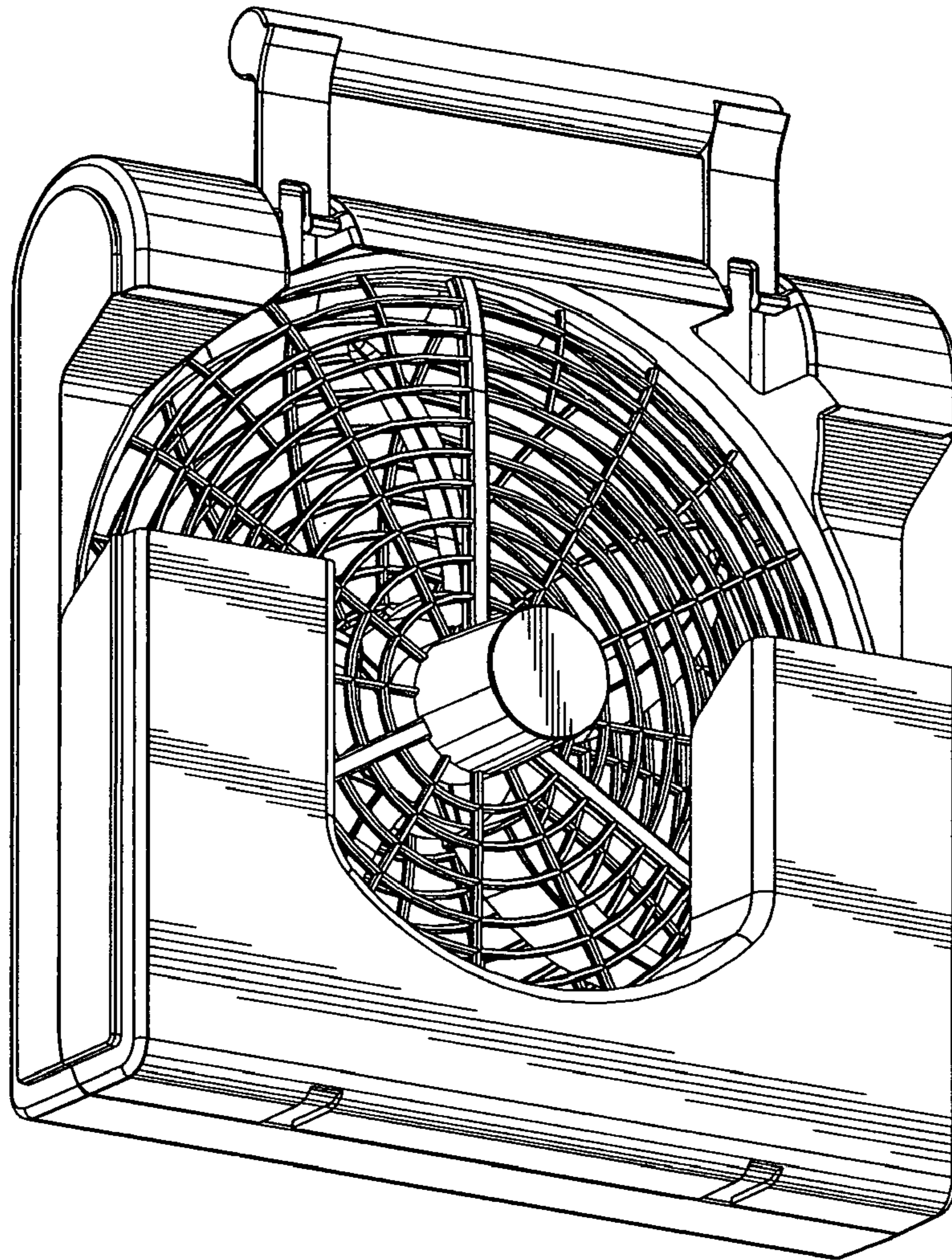


Fig. 12

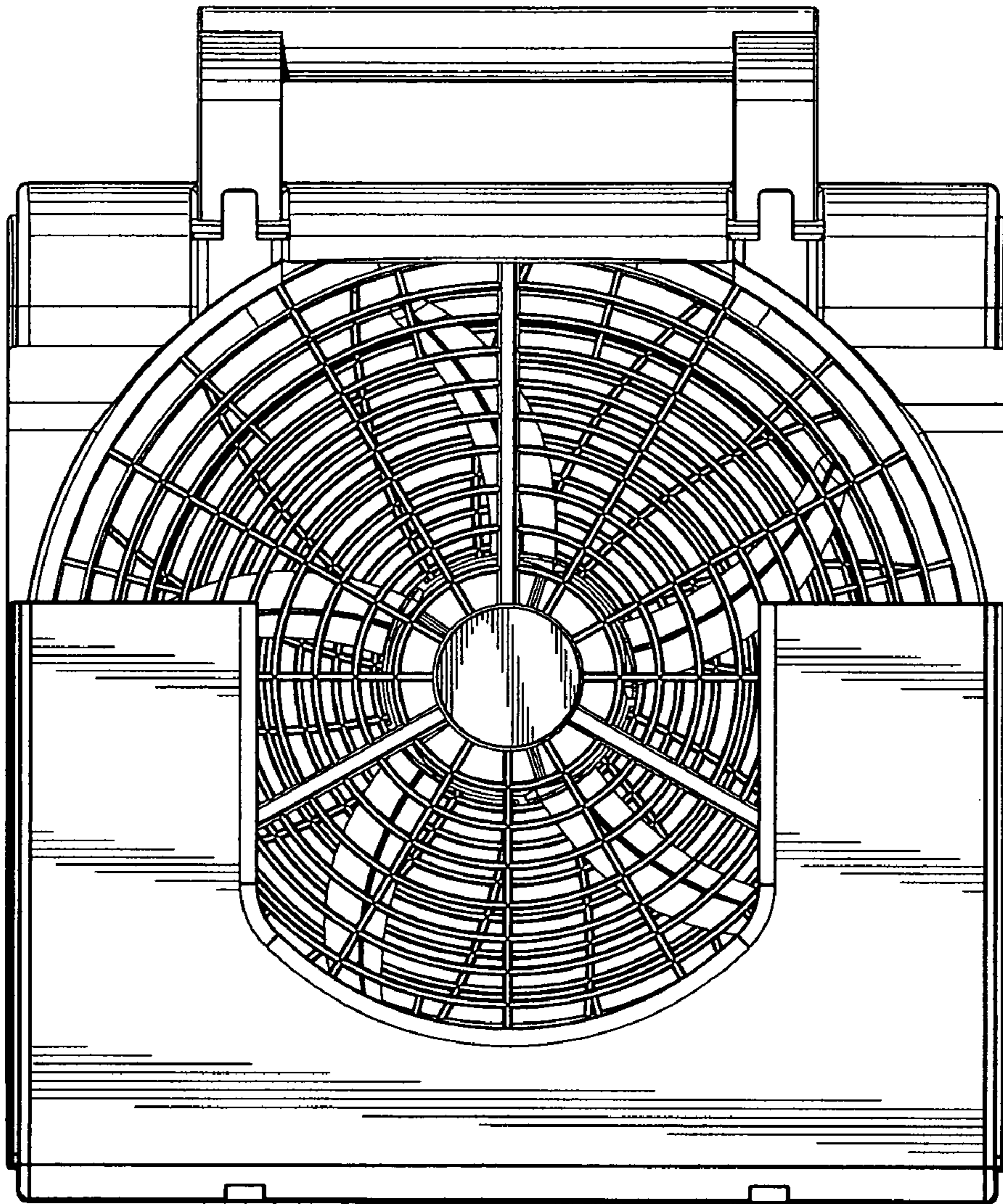


Fig. 13

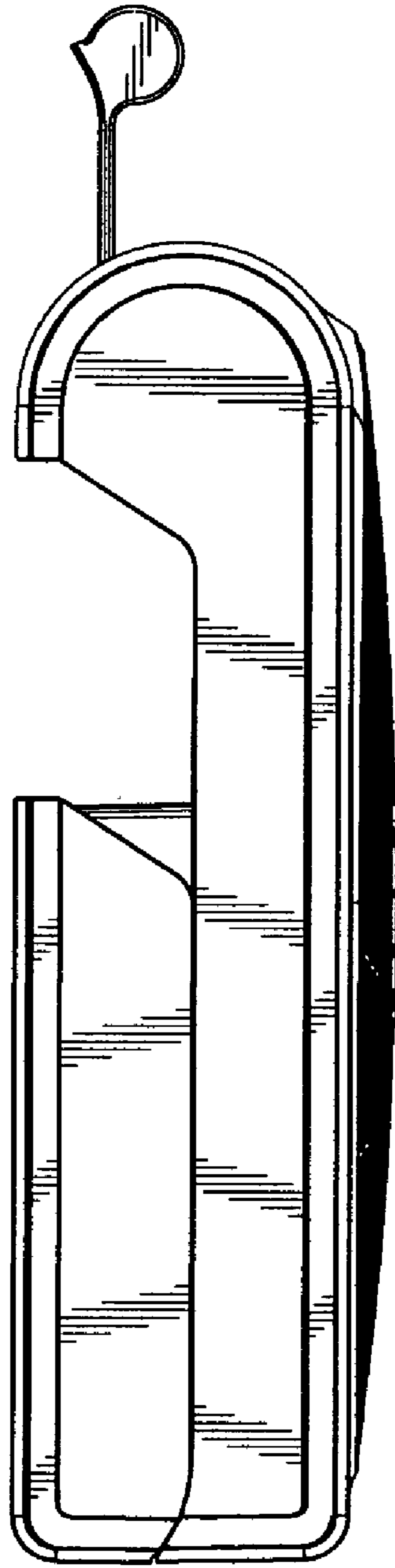


Fig. 14

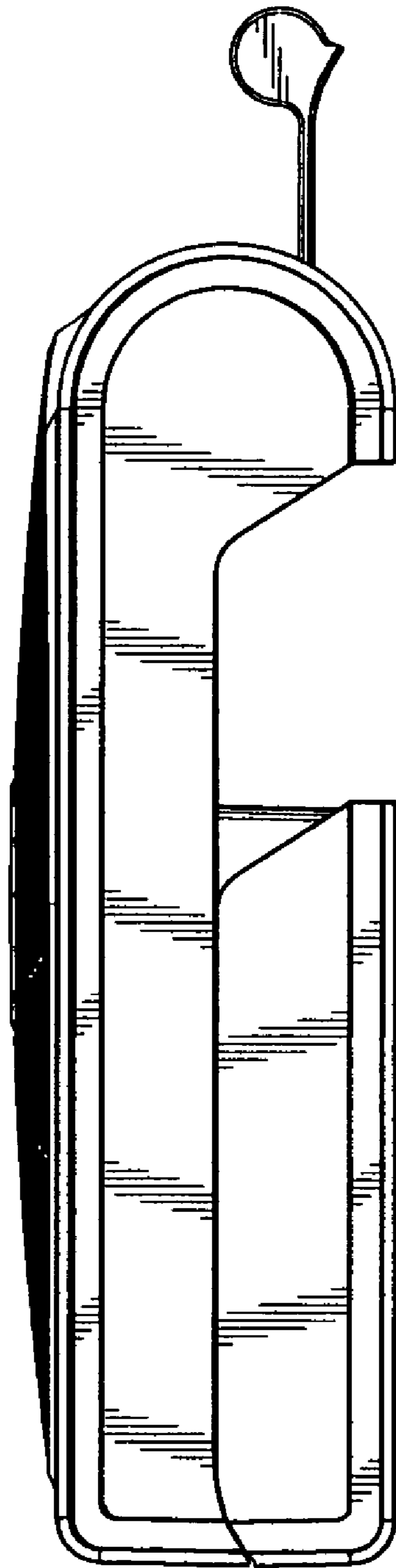


Fig. 15

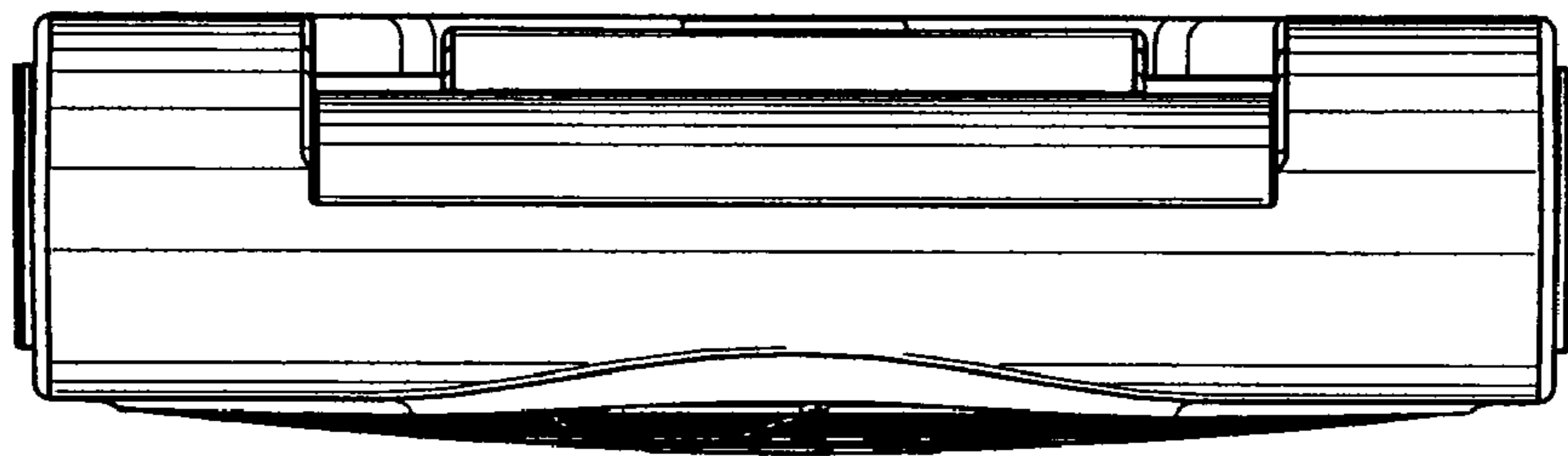


Fig. 16

