



US00D566259S

(12) **United States Design Patent** (10) **Patent No.:** **US D566,259 S**
Bucher et al. (45) **Date of Patent:** **** Apr. 8, 2008**

(54) **COMBINED CEILING FAN AND GLOBE LIGHT**

(75) Inventors: **John C. Bucher**, Hillsboro Beach, FL (US); **Scott Searle**, Hong Kong (HK); **Tien S. Lowe**, Pembroke Pines, FL (US)

(73) Assignee: **King of Fans, Inc.**, Fort Lauderdale, FL (US)

(**) Term: **14 Years**

(21) Appl. No.: **29/224,974**

(22) Filed: **Mar. 9, 2005**

(51) **LOC (8) Cl.** **23-04**

(52) **U.S. Cl.** **D23/377; 26/59**

(58) **Field of Classification Search** D23/377, D23/379, 385, 411, 413; D26/59, 51, 81-86, D26/88, 72; 416/5

See application file for complete search history.

(56) **References Cited**

U.S. PATENT DOCUMENTS

D364,224 S	11/1995	Wang	D23/377
D371,838 S	7/1996	Davis, Jr. et al.	D23/411
D378,404 S	3/1997	Jaspers-Fayer	D23/377
D402,026 S	12/1998	Chuang et al.	D23/377
D407,154 S	* 3/1999	Thomas	D23/377
D408,518 S	4/1999	Liu	D23/377
D412,571 S	8/1999	Lee	D23/377
D414,856 S	10/1999	Zuege	D23/377
D421,799 S	3/2000	Zuege	D23/411
D422,072 S	3/2000	Blateri	D23/377
D443,352 S	6/2001	Lantz	D23/413
D451,997 S	12/2001	Schwartz	D23/413
D454,636 S	3/2002	Lantz	D23/413

D469,950 S	2/2003	Scalise et al.	D3/3
D480,471 S	10/2003	Hsieh	D23/411
D484,233 S	12/2003	Bucher et al.	D23/377
D485,345 S	1/2004	Bucher	D23/377
D485,346 S	1/2004	Bucher et al.	D23/377
D485,347 S	1/2004	Bucher et al.	D23/377
D520,131 S	* 5/2006	Hidalgo	D23/377

* cited by examiner

Primary Examiner—Lisa Lichtenstein

(74) *Attorney, Agent, or Firm*—Brian S. Steinberger; Law Offices of Brian S. Steinberger, P.A.

(57) **CLAIM**

The ornamental design for a combined ceiling fan and globe light, as shown and described.

DESCRIPTION

FIG. 1 is a perspective front side bottom view of a combined ceiling fan and globe light of the first embodiment design of FIG. 1.

FIG. 2 is an upper front side perspective view of the first embodiment design of FIG. 1.

FIG. 3 is front side view of the first embodiment design of FIG. 1.

FIG. 4 is a left side view of the first embodiment design of FIG. 1.

FIG. 5 is a rear side view of the first embodiment design of FIG. 1.

FIG. 6 is a bottom view of the first embodiment design of FIG. 1; and,

FIG. 7 is a top view of the first embodiment design of FIG. 1.

The broken lines showing the rectangular motor switch, support rod, pull tabs and all chains in FIGS. 1-7 are for illustrative purposes and form no part of the claimed design.

1 Claim, 7 Drawing Sheets

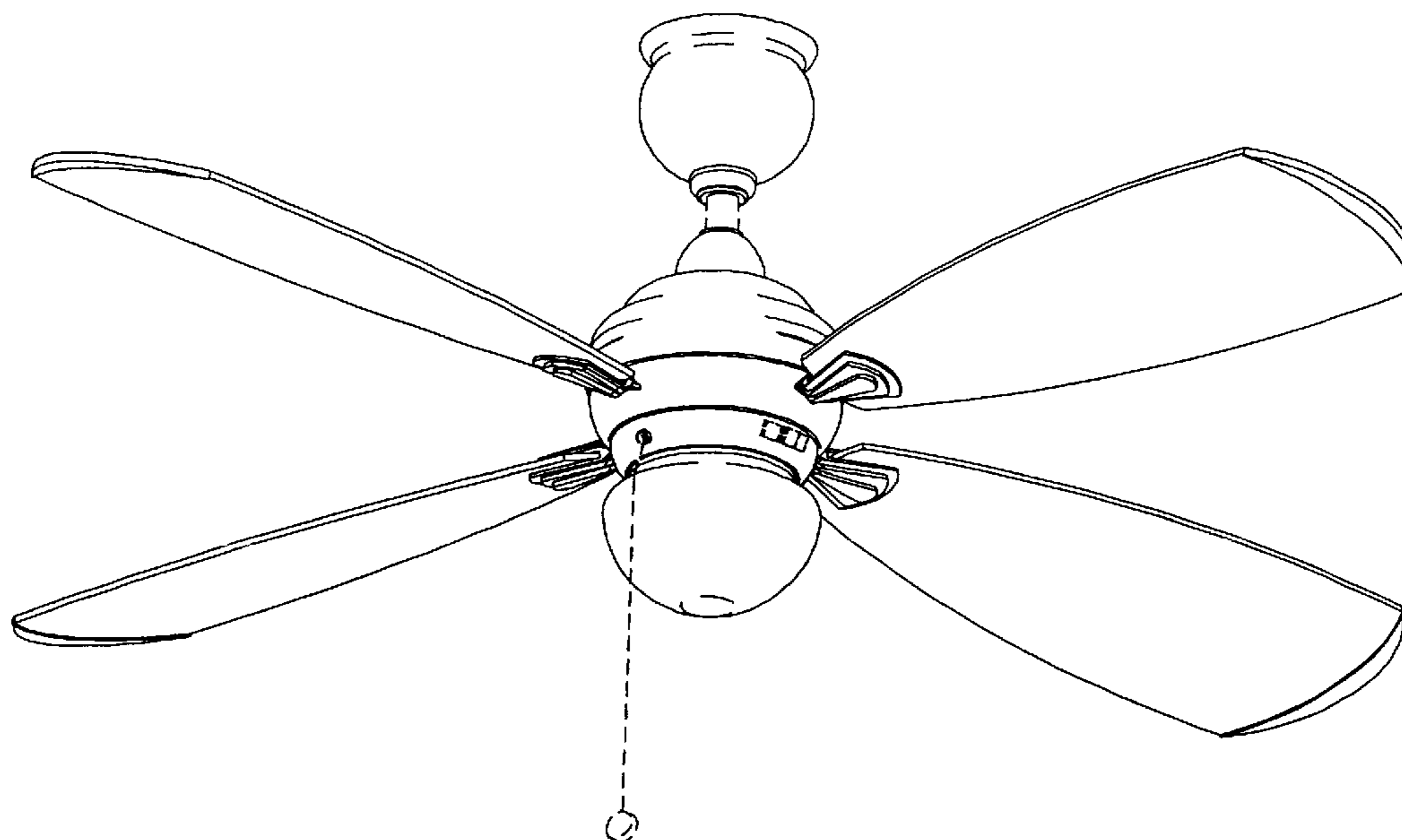


Fig.1

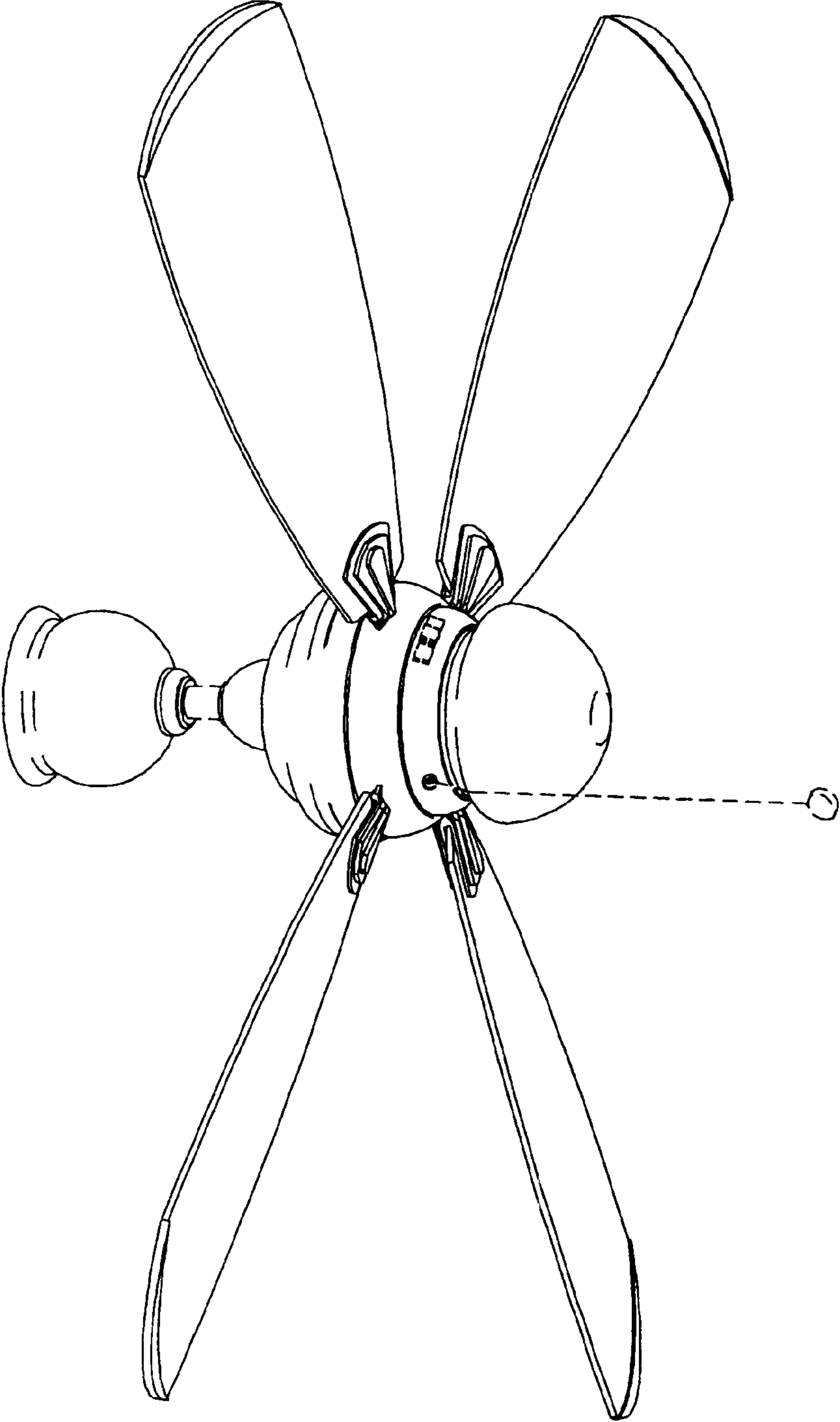


Fig.2

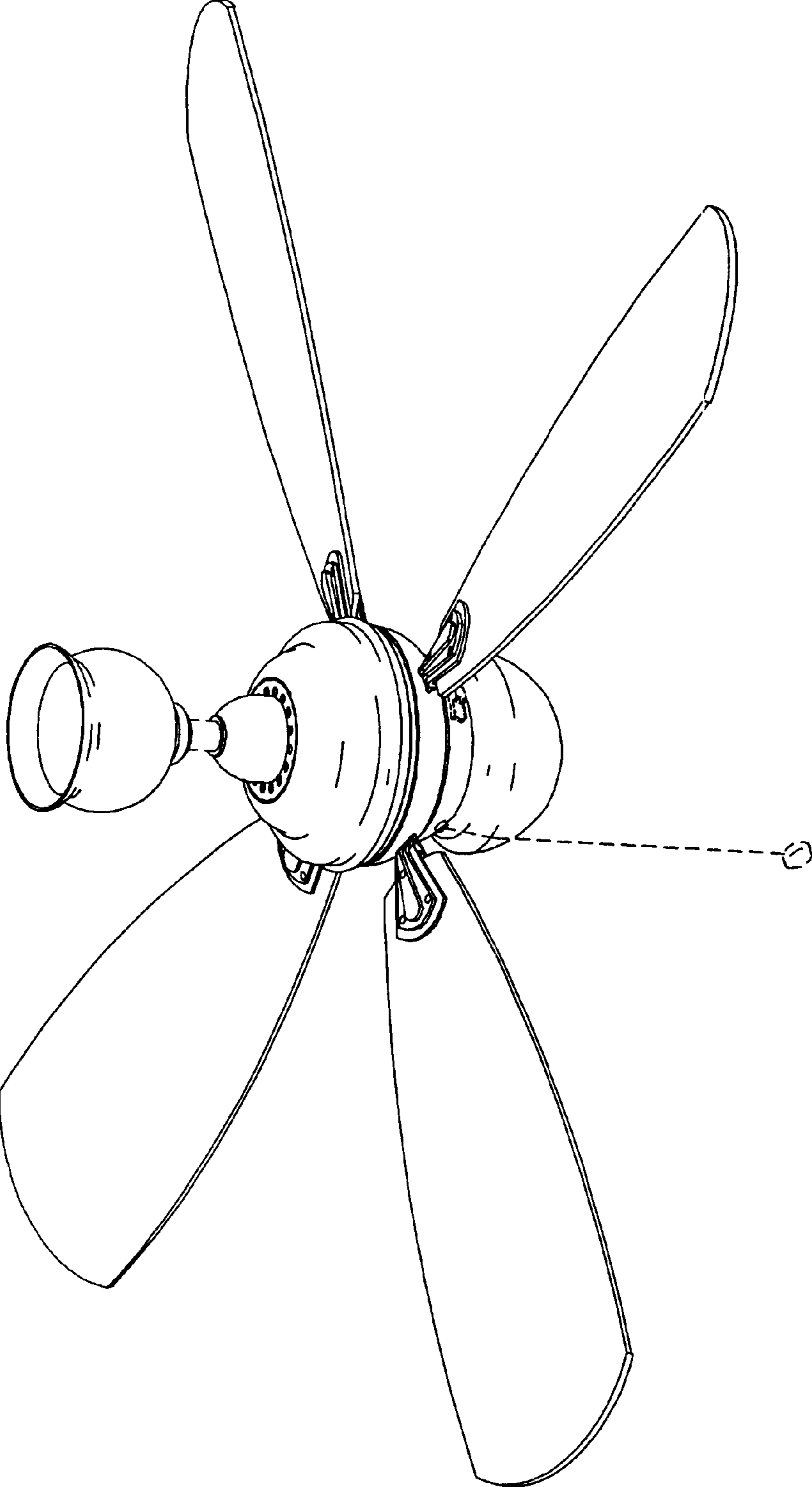


Fig.3

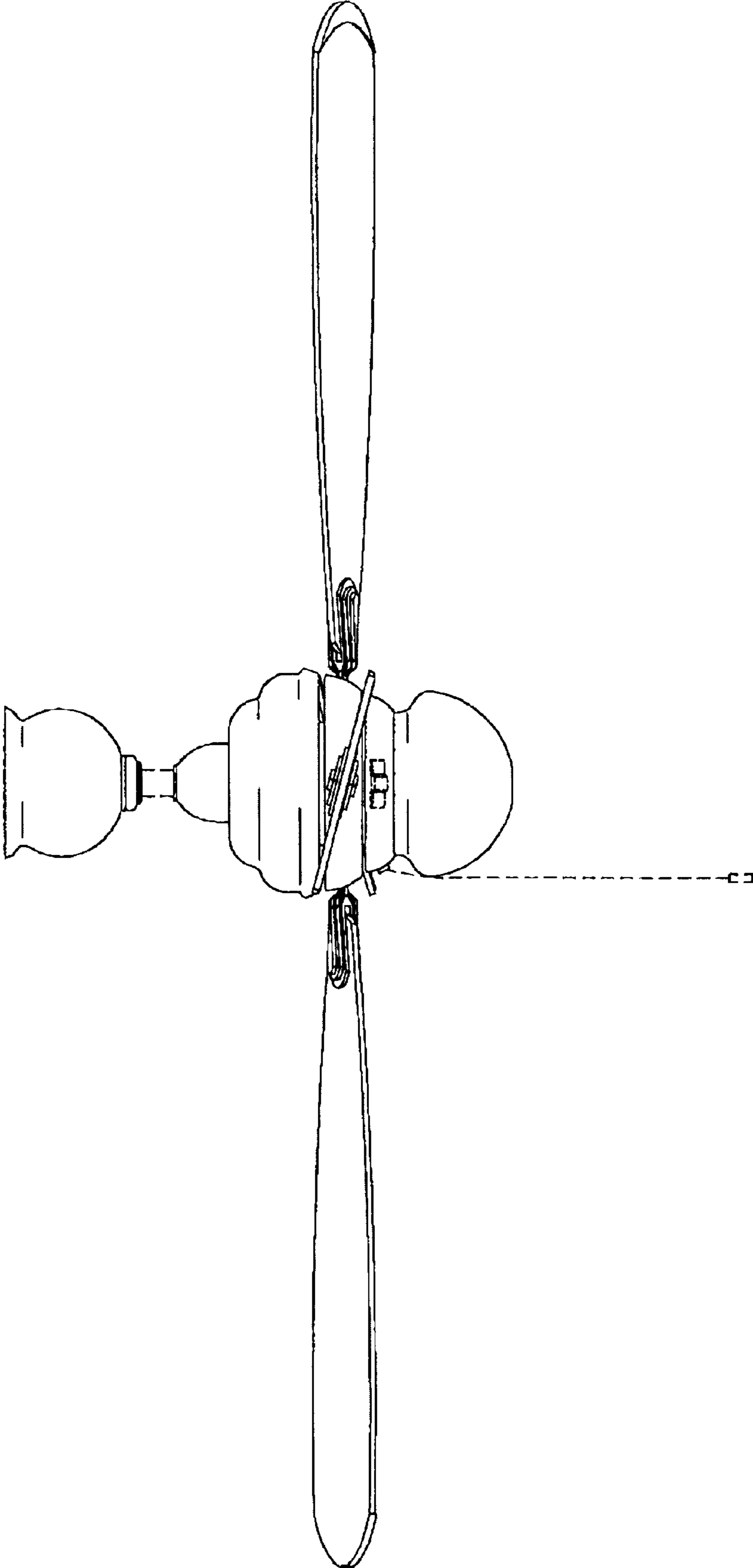


Fig.4

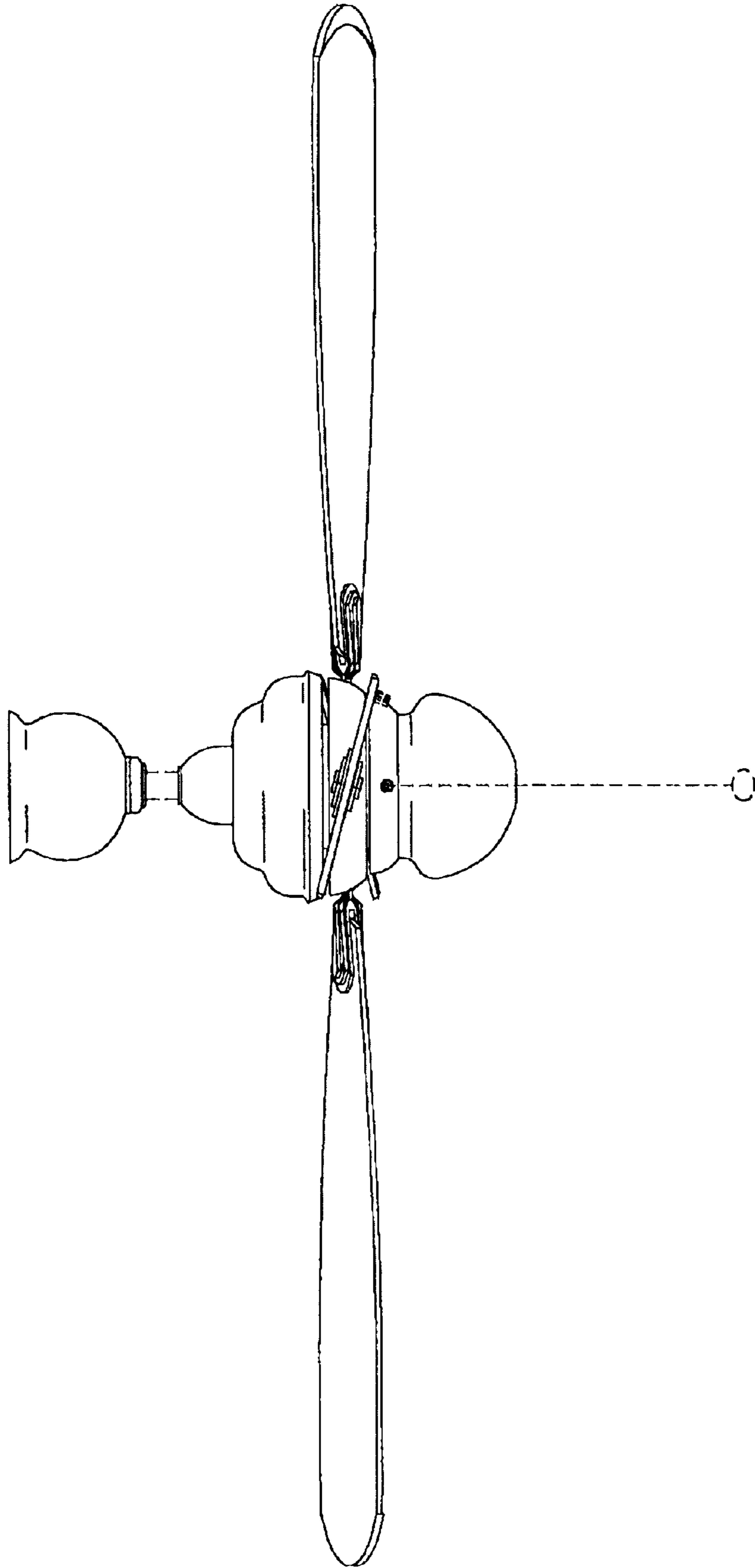
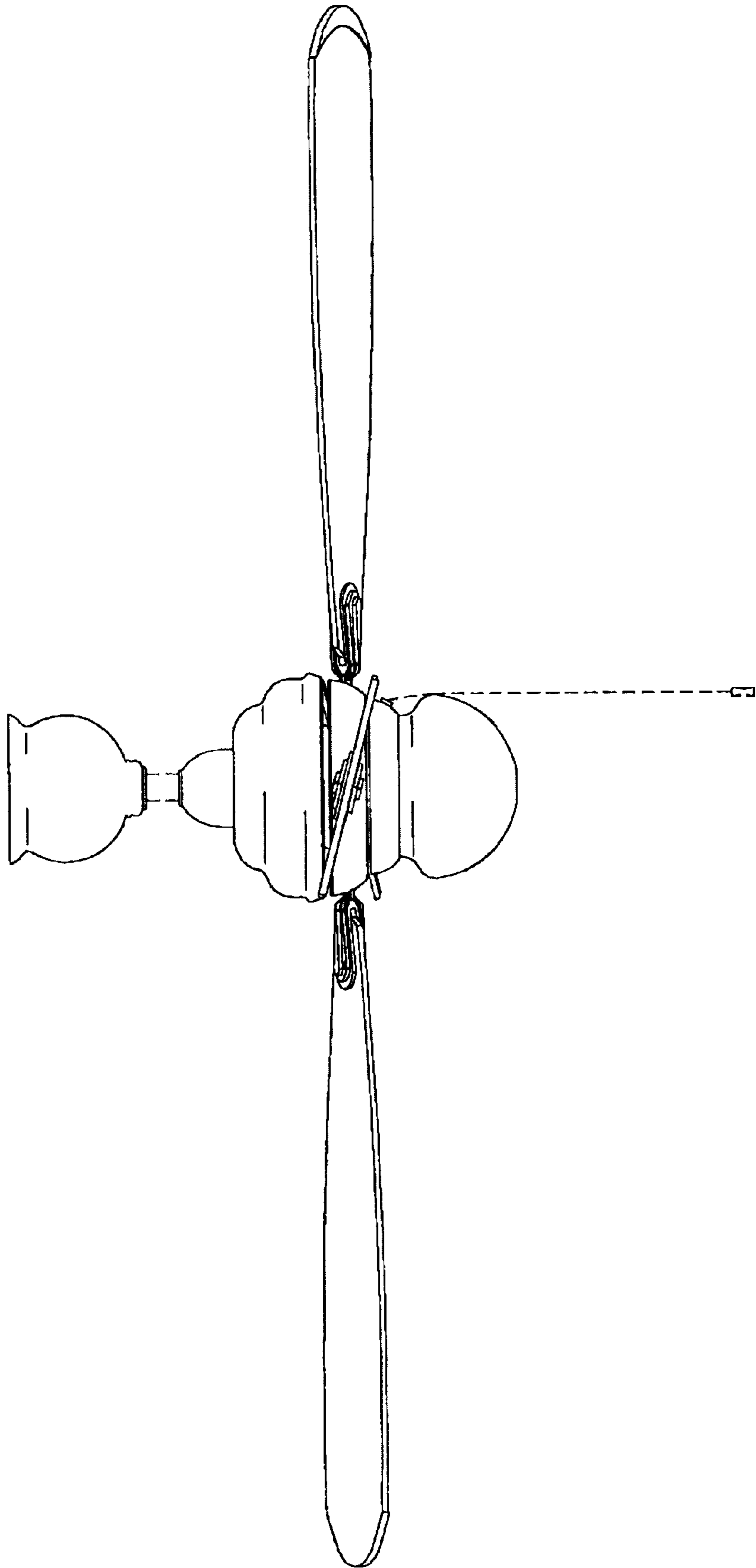


Fig. 5



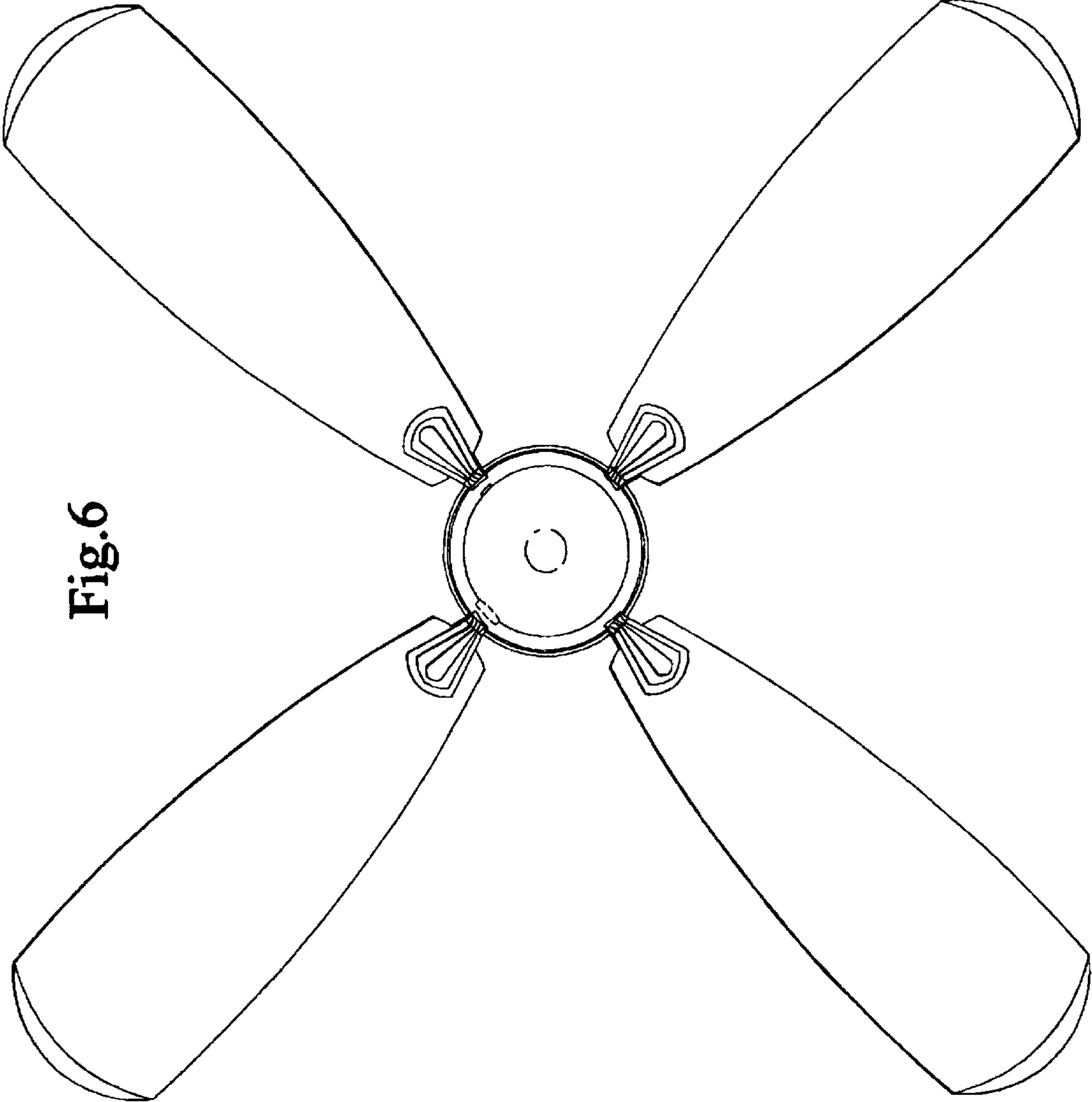


Fig. 6

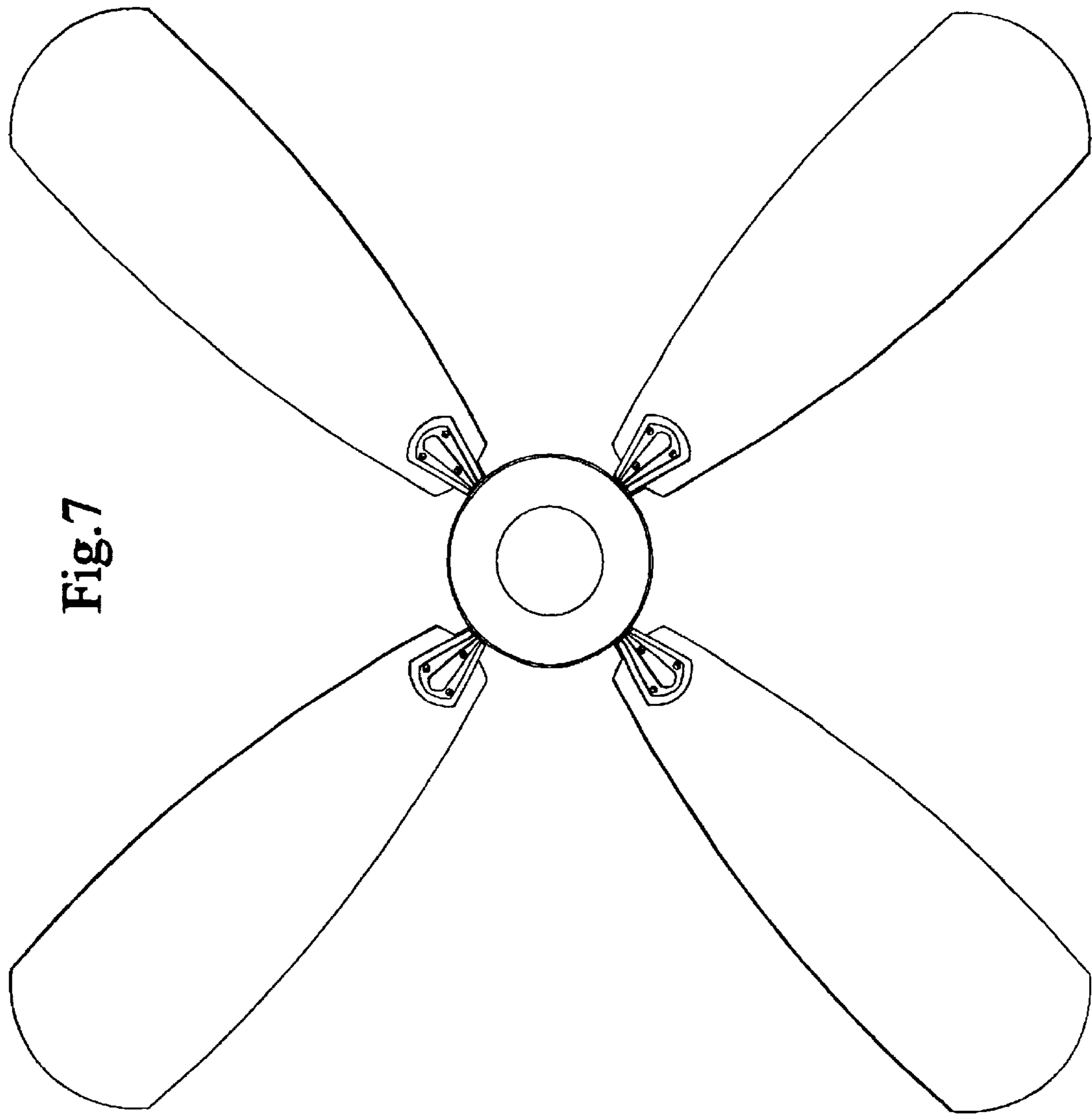


Fig. 7