

US00D566258S

(12) **United States Design Patent**
Bucher et al.

(10) **Patent No.:** **US D566,258 S**

(45) **Date of Patent:** **** Apr. 8, 2008**

(54) **COMBINED CEILING FAN AND LIGHT**

(75) Inventors: **John C. Bucher**, Hillsboro Beach, FL
(US); **Scott Searle**, Hong Kong (HK);
Tien S. Lowe, Pembroke Pines, FL
(US)

(73) Assignee: **King of Fans, Inc.**, Fort Lauderdale,
FL (US)

(**) Term: **14 Years**

(21) Appl. No.: **29/224,962**

(22) Filed: **Mar. 9, 2005**

(51) **LOC (8) Cl.** **23-04**

(52) **U.S. Cl.** **D23/377; 26/59**

(58) **Field of Classification Search** D23/377,
D23/379, 385, 411, 413; D26/59, 51, 81-86,
D26/88, 72; 416/5

See application file for complete search history.

(56) **References Cited**

U.S. PATENT DOCUMENTS

D364,224 S	11/1995	Wang	D23/377
D371,838 S	7/1996	Davis, Jr. et al.	D23/411
D378,404 S	3/1997	Jaspers-Fayer	D23/377
D402,026 S	12/1998	Chuang et al.	D23/377
D408,518 S	4/1999	Liu	D23/377
D412,571 S	8/1999	Lee	D23/377
D414,856 S	10/1999	Zuege	D23/377
D421,799 S	3/2000	Zuege	D23/411
D422,072 S	3/2000	Blateri	D23/377
D424,189 S	* 5/2000	Johnson	D23/411
D443,352 S	6/2001	Lantz	D23/413
D451,997 S	12/2001	Swartz	D23/413
D454,636 S	3/2002	Lantz	D23/413
D469,950 S	2/2003	Scalise et al.	D3/3
D470,931 S	* 2/2003	Hidalgo	D23/377
D480,471 S	10/2003	Hsieh	D23/411

D484,233 S	12/2003	Bucher et al.	D23/377
D485,345 S	1/2004	Bucher	D23/377
D485,346 S	1/2004	Bucher et al.	D23/377
D485,347 S	1/2004	Bucher et al.	D23/377
D520,131 S	* 5/2006	Hidalgo	D23/377
D524,434 S	* 7/2006	Hidalgo	D23/377

* cited by examiner

Primary Examiner—Lisa Lichtenstein

(74) *Attorney, Agent, or Firm*—Brian S. Steinberger; Law
Offices of Brian S. Steinberger, P.C.

(57) **CLAIM**

The ornamental design for a combined ceiling fan and light,
as shown and described.

DESCRIPTION

FIG. 1 is a perspective front side bottom view of a combined
ceiling fan and light of the first embodiment design of FIG.
1.

FIG. 2 is an upper front side perspective view of the first
embodiment design of FIG. 1.

FIG. 3 is front side view of the first embodiment design of
FIG. 1.

FIG. 4 is a reduced bottom view of the first embodiment
design of FIG. 1; and,

FIG. 5 is a reduced top view of the first embodiment design
of FIG. 1.

The broken lines showing the cylindrical pipe between the
ceiling canopy and the motor, and the ceiling canopy in
FIGS. 1-5 are for illustrative purposes and form no part of
the claimed design and the broken lines shown in mounting
holes in the ends of the blades and the internal bulbs and
bulb sockets and inner canopy in FIGS. 2, 3, 4 and 5 are for
illustrative purposes and form no part of the claimed design,
the broken lines showing the tip in FIGS. 1, 3 and 4 are
illustrative purposes and form no part of the claimed design.

1 Claim, 5 Drawing Sheets

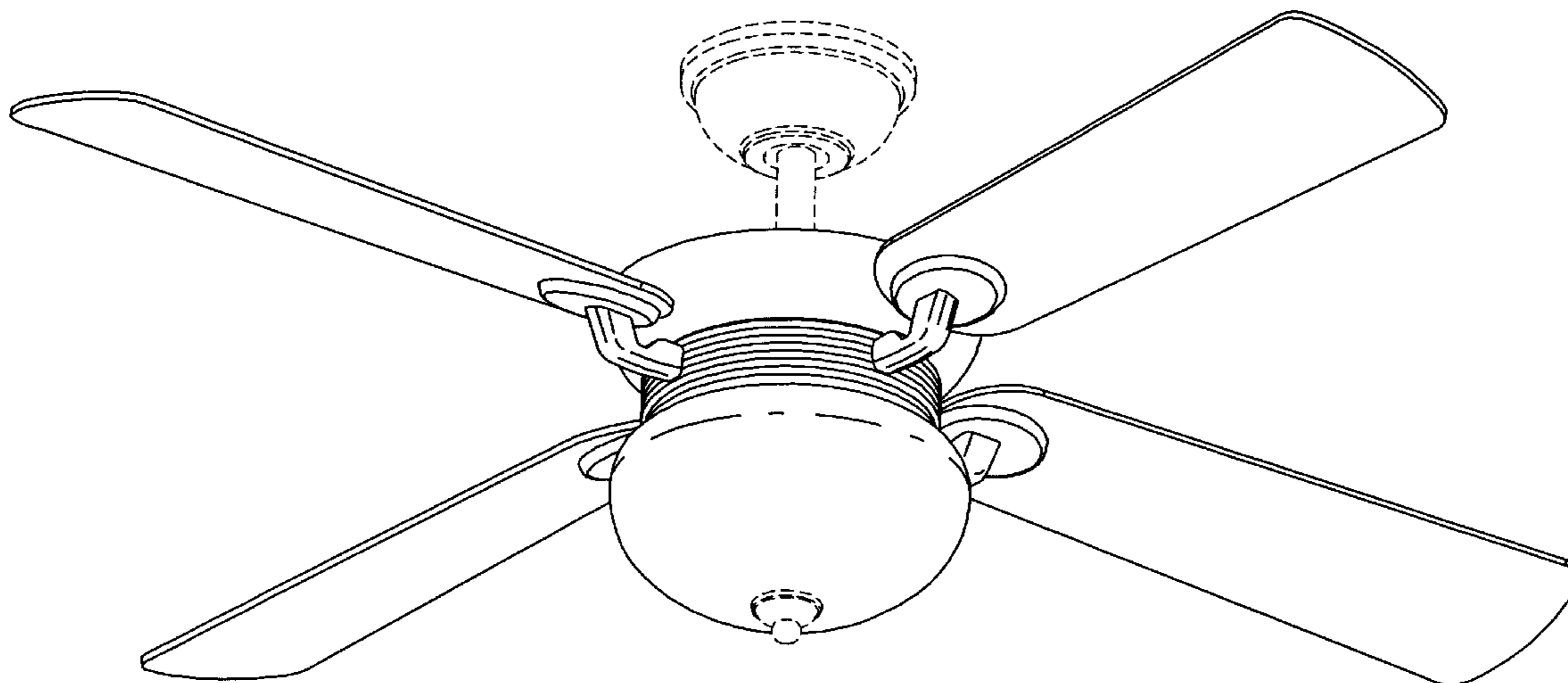


Fig.1

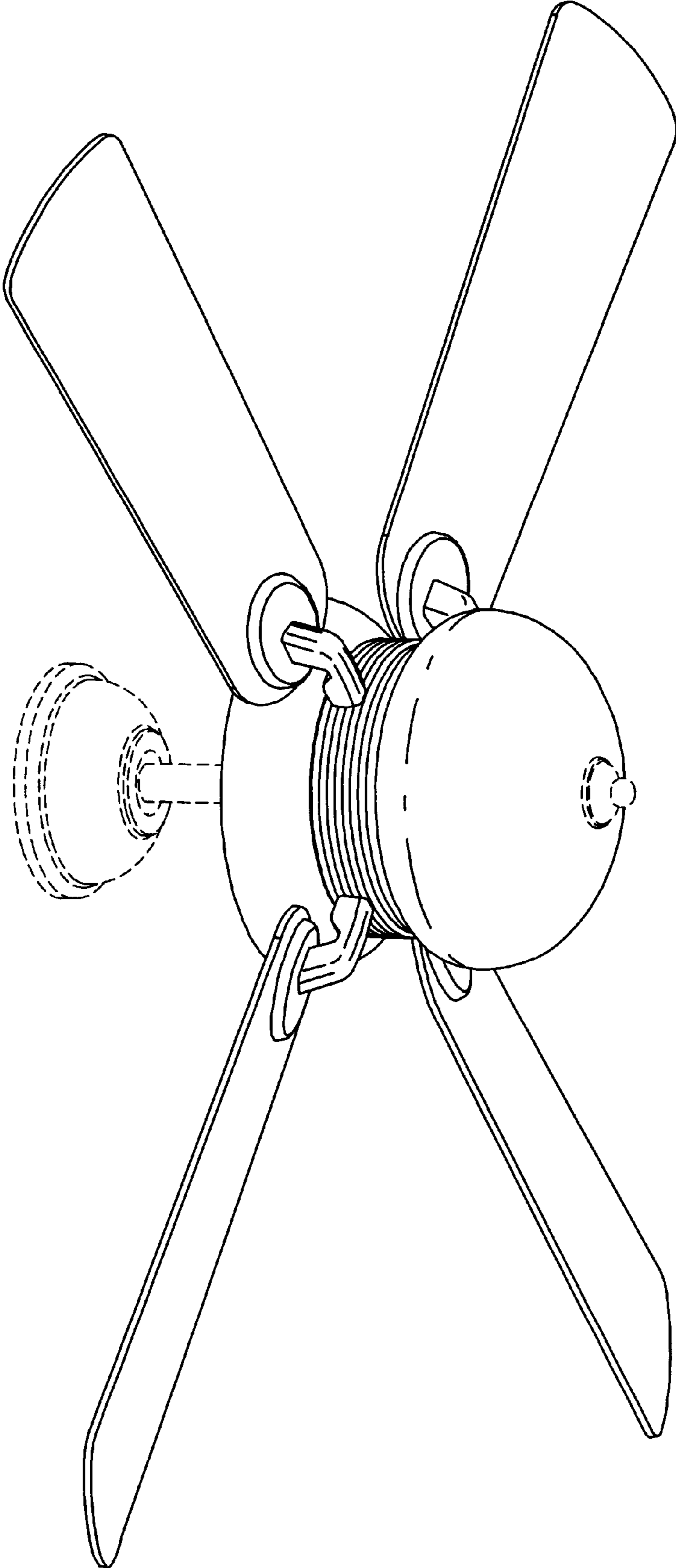


Fig.2

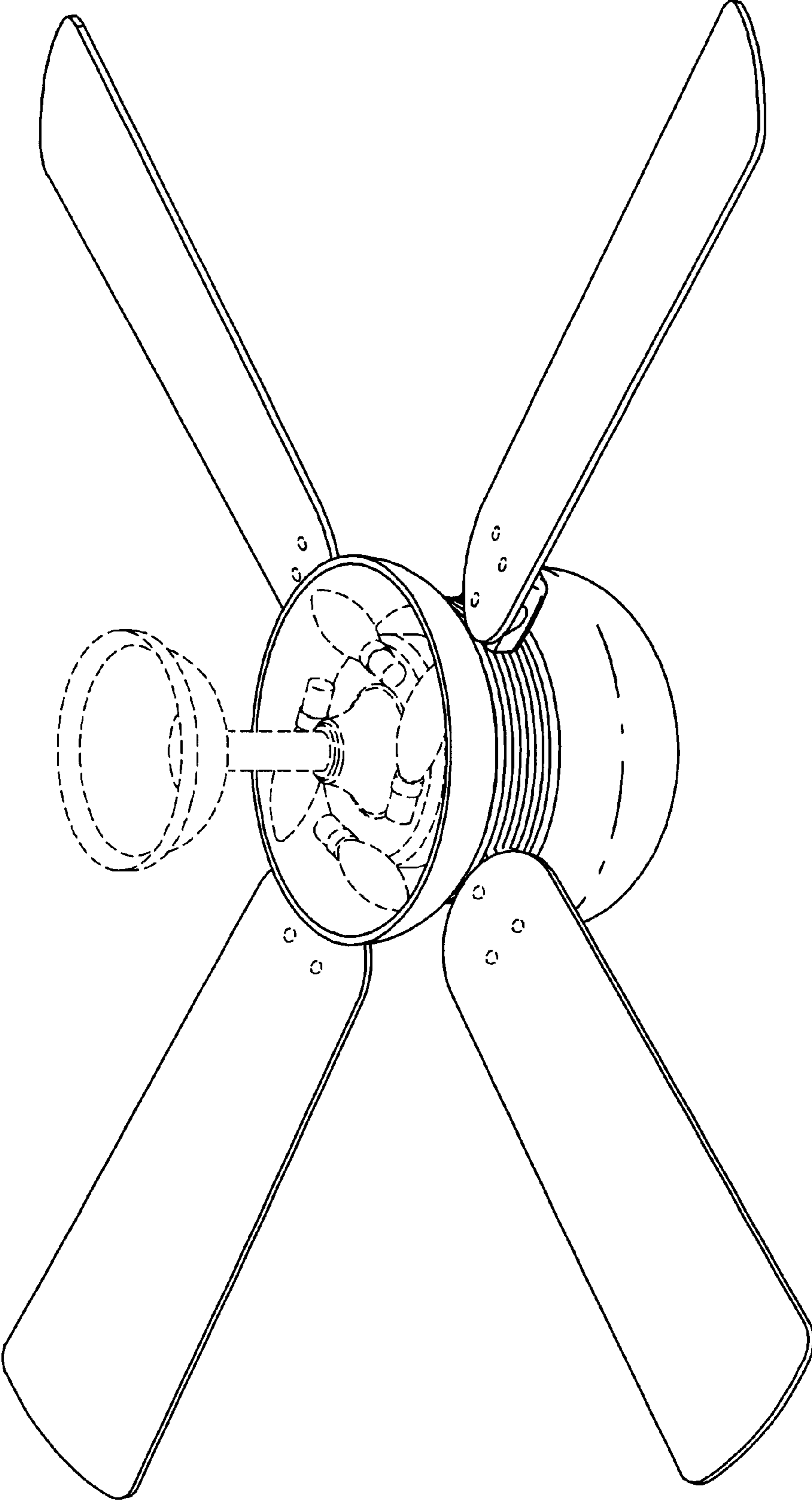
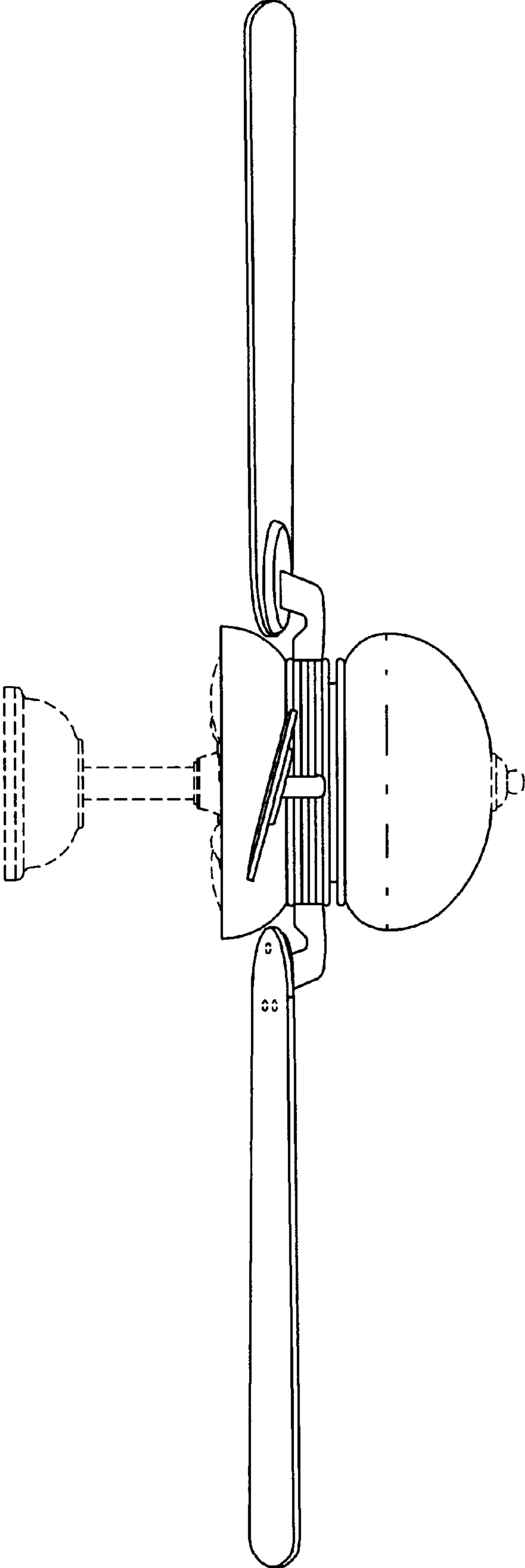


Fig.3



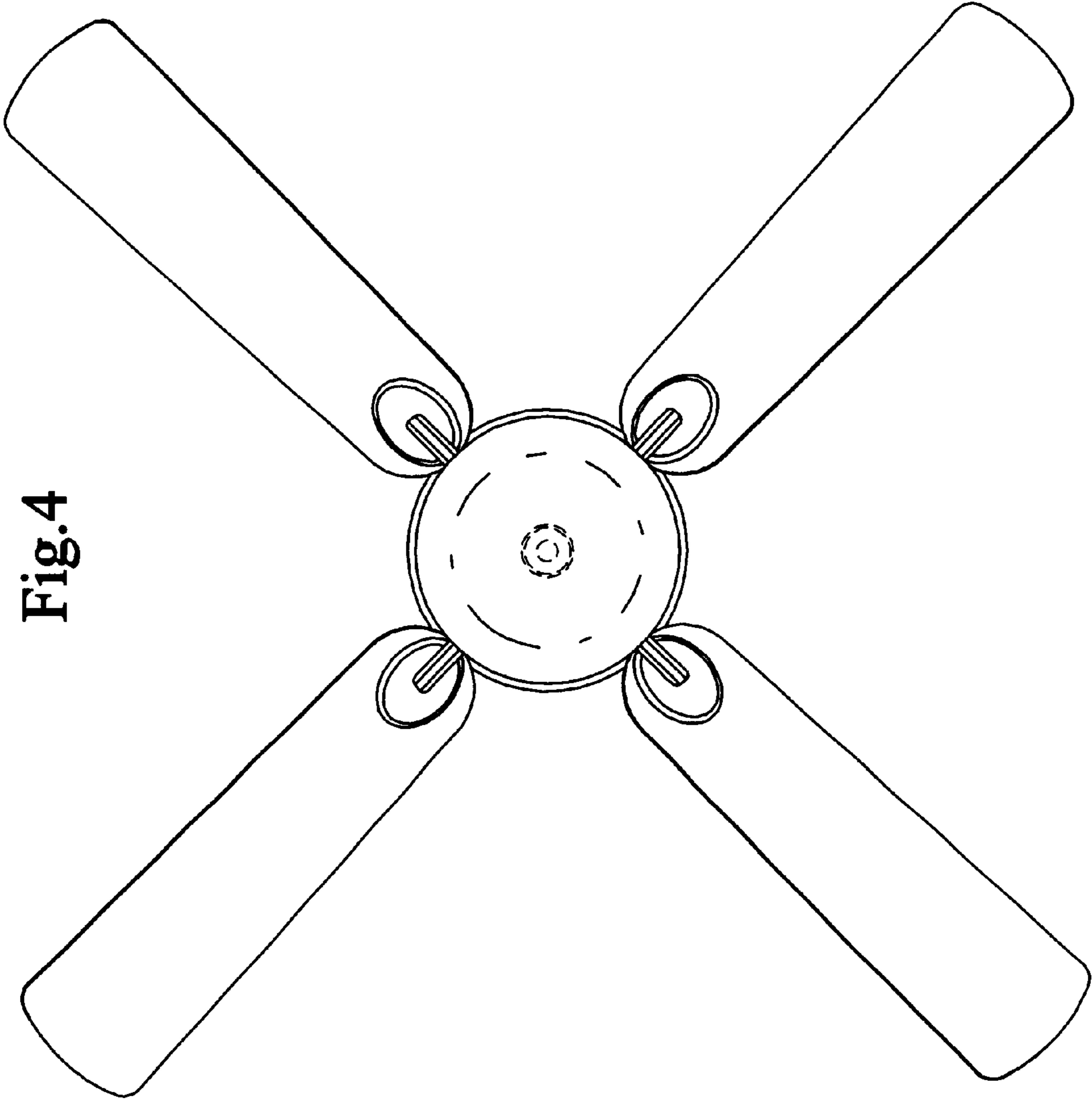


Fig.4

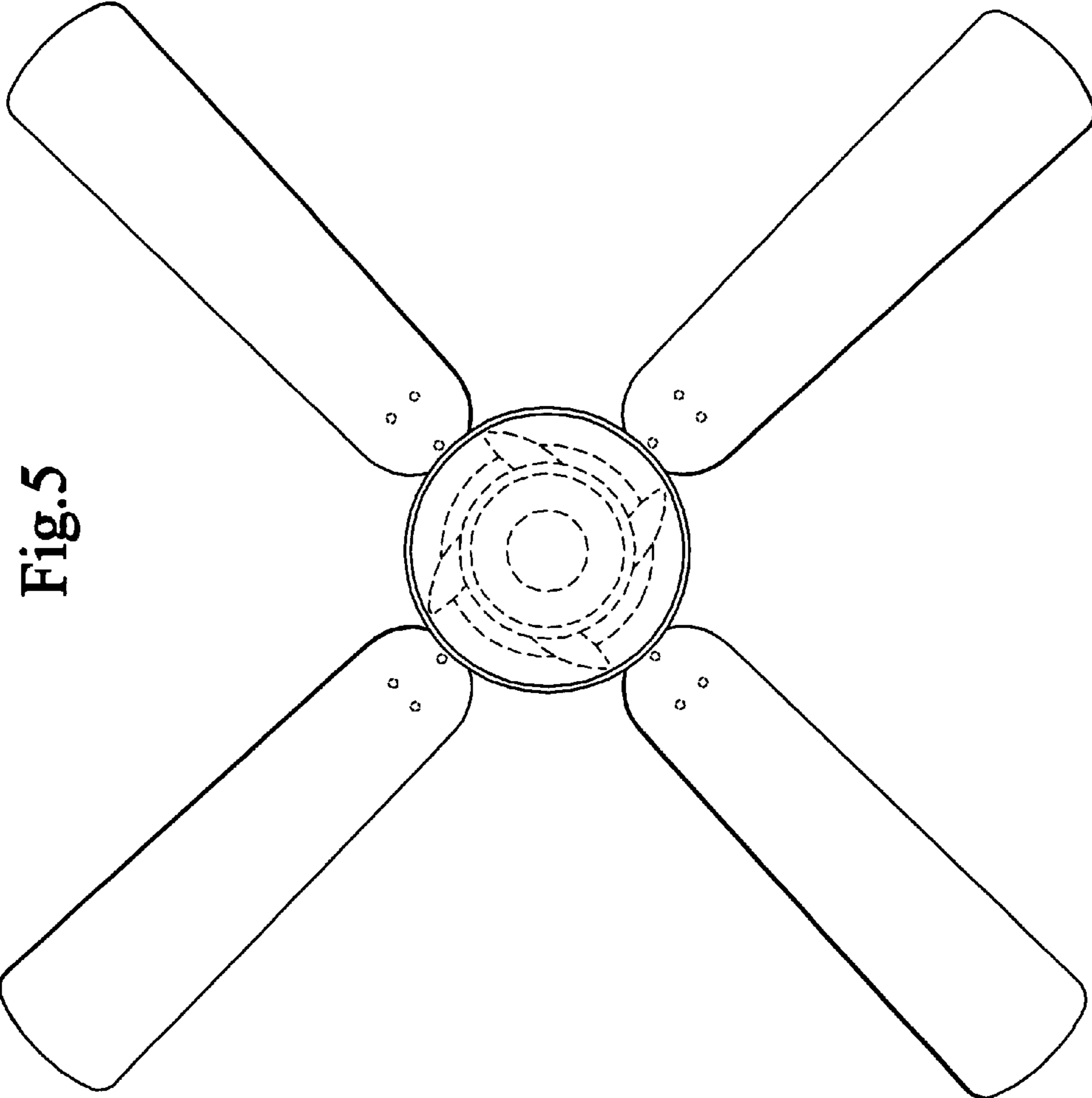


Fig.5