

US00D566256S

(12) **United States Design Patent**  
**Abate et al.**

(10) **Patent No.:** **US D566,256 S**  
(45) **Date of Patent:** **\*\* Apr. 8, 2008**

(54) **FILTERING DEVICE**

(75) Inventors: **Valerio Abate**, Saronno (IT); **Alberto Conti**, Milan (IT); **Michela Bianchi**, Milan (IT)

(73) Assignee: **Nonox Ltd.**, London (GB)

(\*\*) Term: **14 Years**

(21) Appl. No.: **29/259,494**

(22) Filed: **May 10, 2006**

(30) **Foreign Application Priority Data**

May 11, 2005 (IT) ..... 000430533

(51) **LOC (8) Cl.** ..... **23-04**

(52) **U.S. Cl.** ..... **D23/364**

(58) **Field of Classification Search** ..... D23/364,  
D23/355, 356, 359, 352, 362, 360, 332, 333,  
D23/335, 336, 342, 386, 393, 314, 370, 328,  
D23/351, 365; 422/120, 122; 55/356, 473,  
55/504, 472; 210/497.1; 96/97; 261/DIG. 65;  
128/205.29; 454/236, 234

See application file for complete search history.

(56) **References Cited**

**U.S. PATENT DOCUMENTS**

D244,032 S \* 4/1977 Deetz et al. .... D23/386

D282,275 S \* 1/1986 Price ..... D23/393  
D284,505 S \* 7/1986 Bowman et al. .... D23/351  
4,735,130 A \* 4/1988 Seppamaki ..... 454/236  
4,773,309 A \* 9/1988 Walters ..... 454/236  
D304,854 S \* 11/1989 Stackhouse et al. .... D23/365  
D311,270 S \* 10/1990 Savage et al. .... D23/365  
D316,447 S \* 4/1991 Woodson et al. .... D23/365  
5,145,496 A \* 9/1992 Mellen ..... 55/472  
D330,076 S \* 10/1992 Evans ..... D23/386  
D348,727 S \* 7/1994 Sawyer ..... D23/355  
D349,333 S \* 8/1994 King ..... D23/386  
D371,435 S \* 7/1996 Locke ..... D23/365

\* cited by examiner

*Primary Examiner*—Ian Simmons

*Assistant Examiner*—David G Muller

(74) *Attorney, Agent, or Firm*—Shoemaker and Mattare

(57) **CLAIM**

The ornamental design for a filtering device, as shown and described.

**DESCRIPTION**

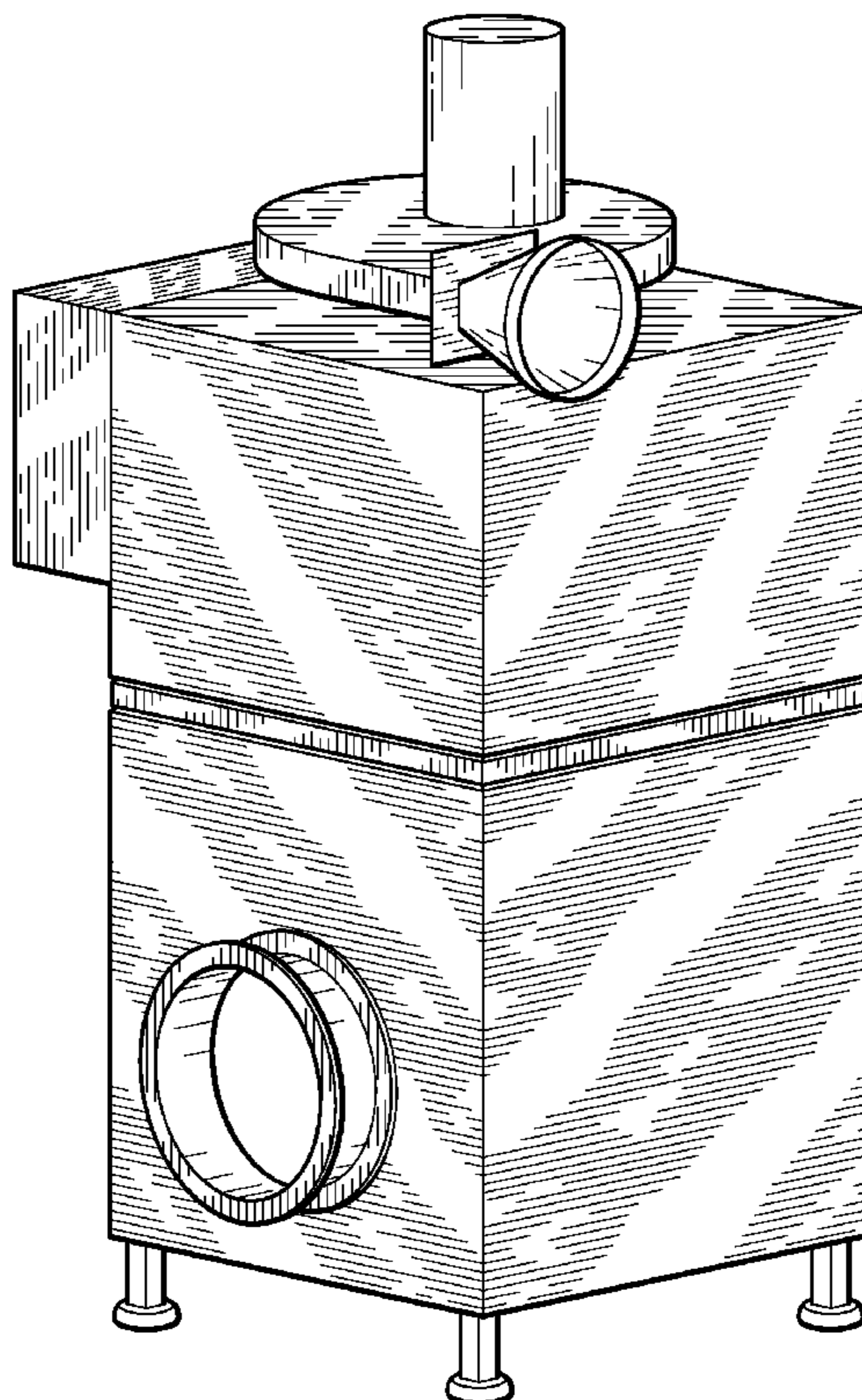
FIG. 1 is a perspective view of a filtering device, showing my new design from the top, front and right side;

FIG. 2 is a front elevational view thereof;

FIG. 3 is a left side elevational view thereof; and,

FIG. 4 is a top plan view thereof.

**1 Claim, 3 Drawing Sheets**



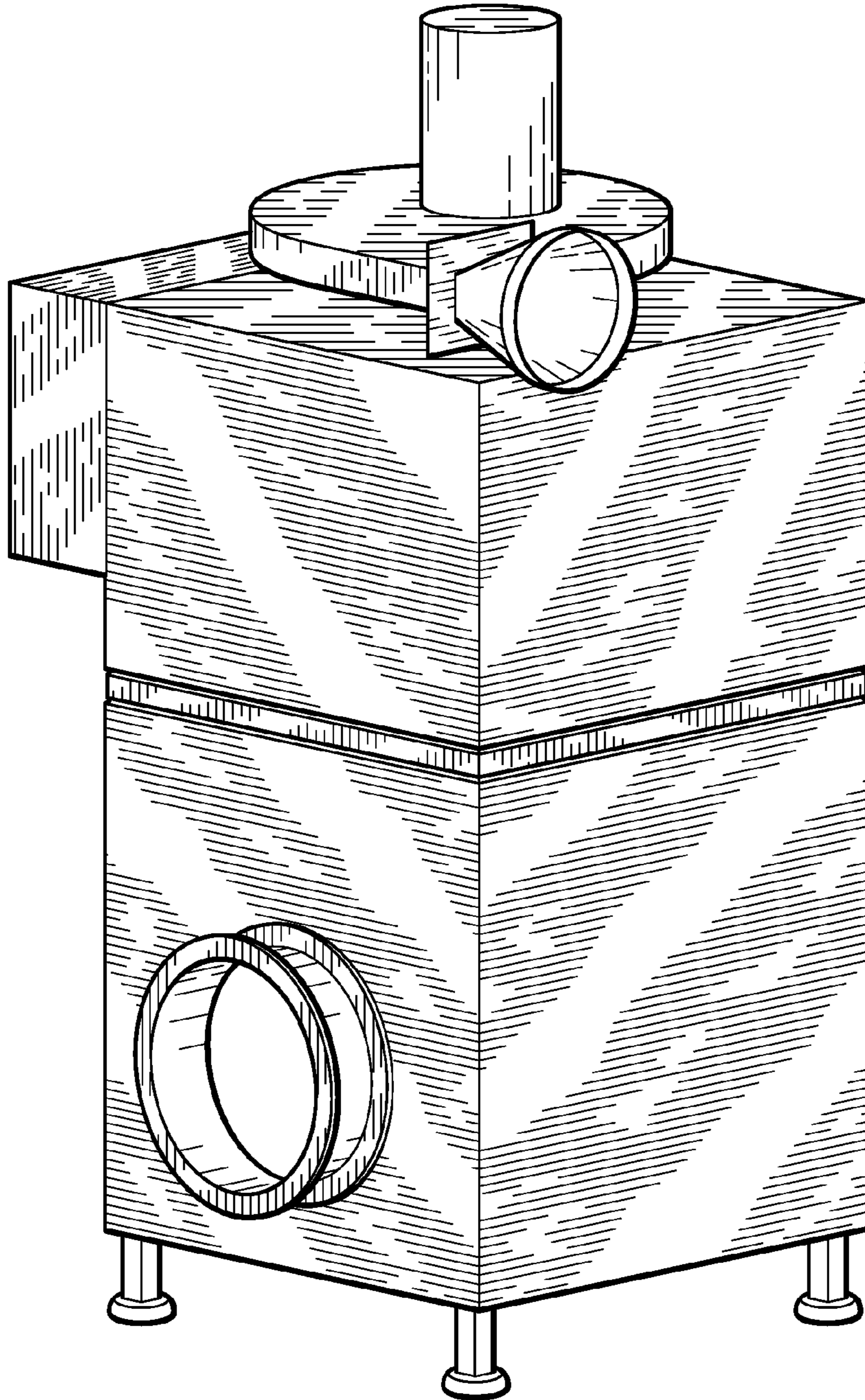


FIG. 1

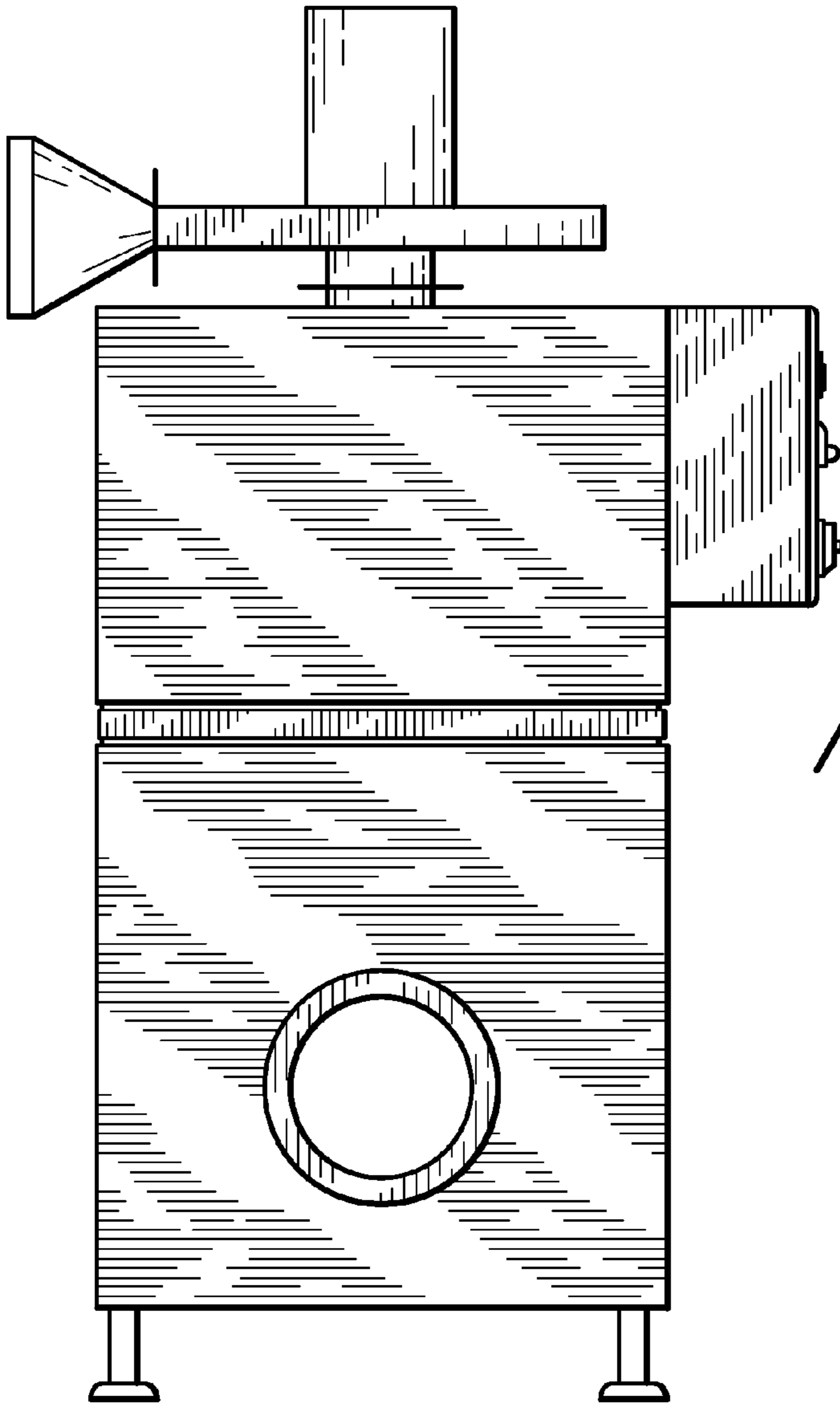
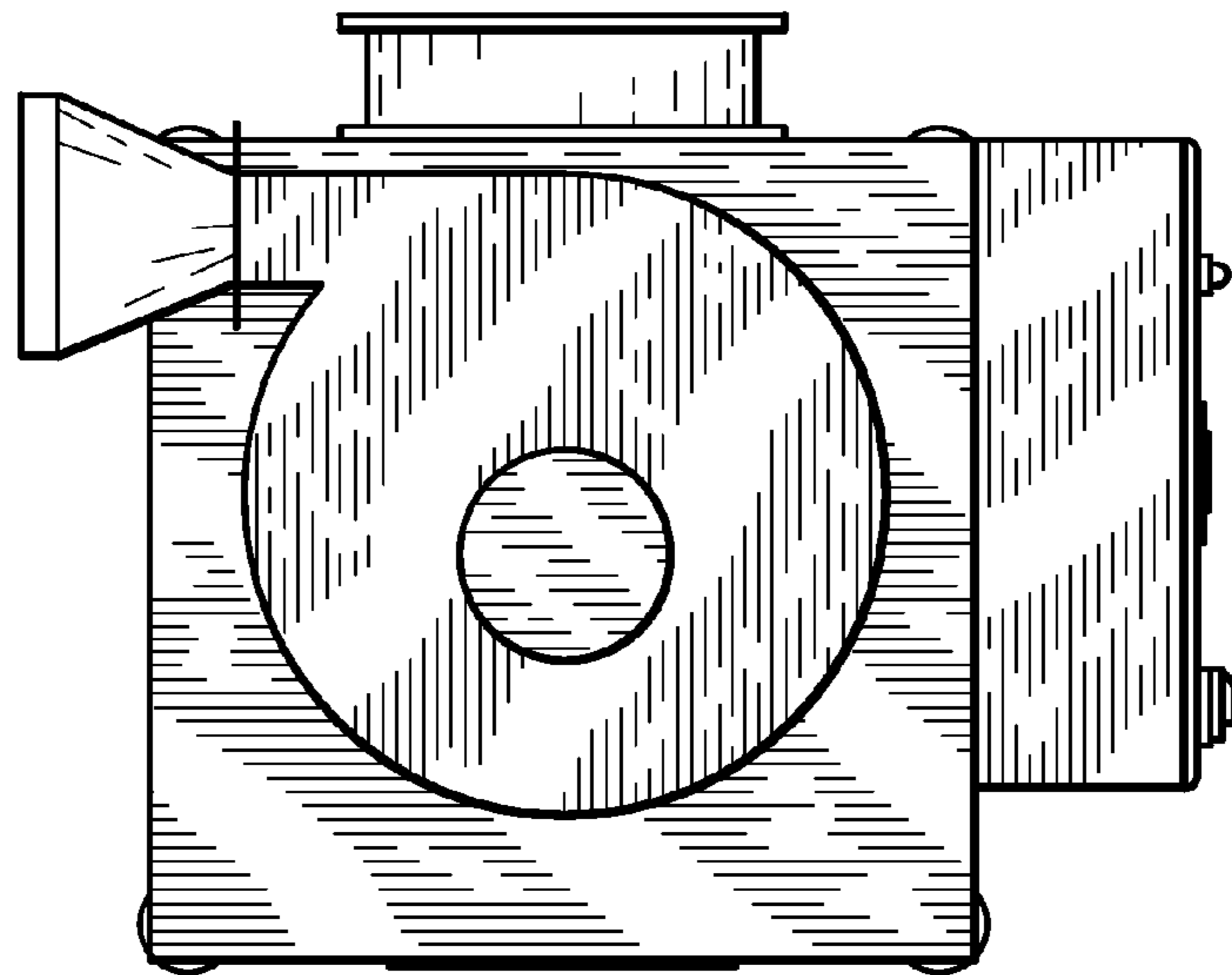


FIG. 2

FIG. 4



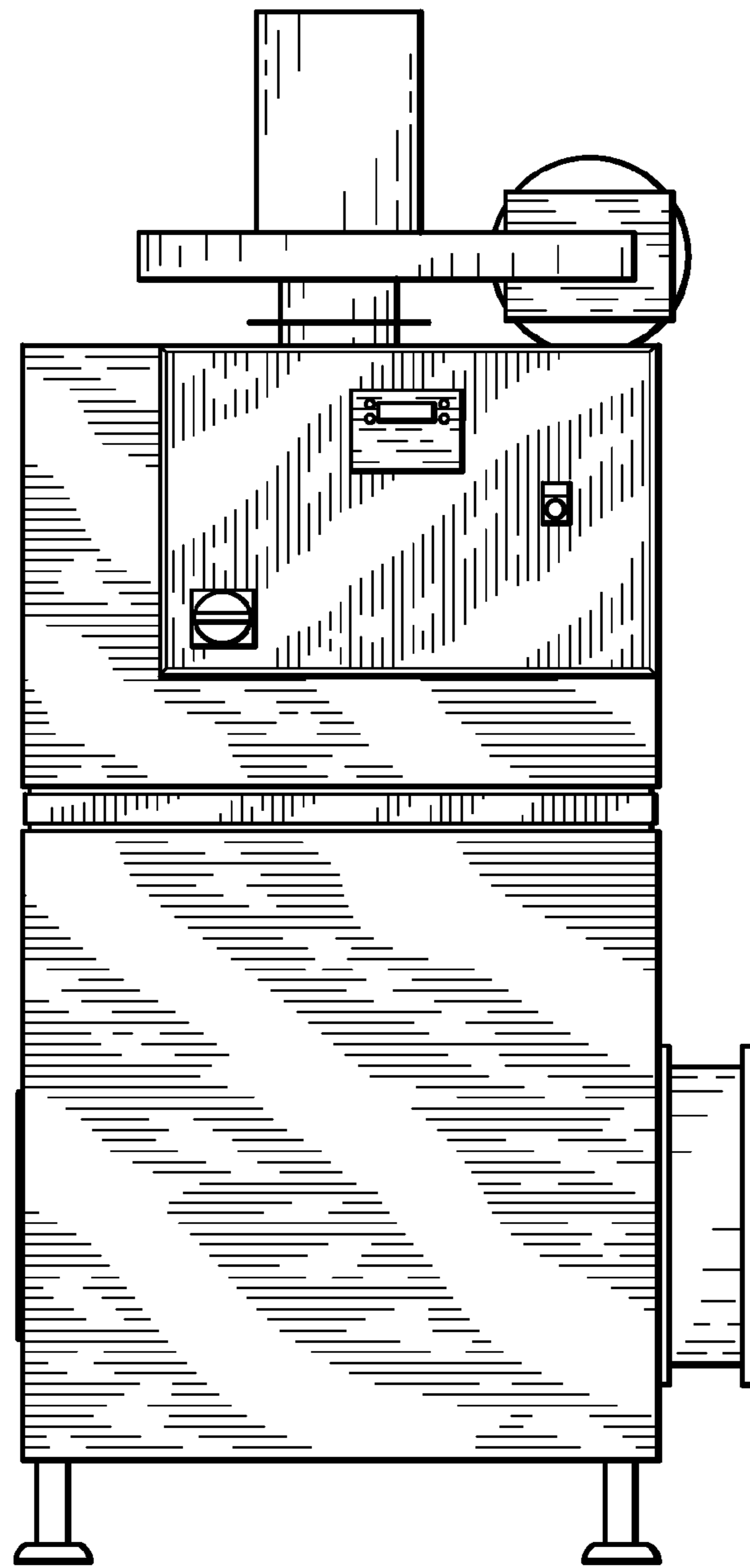


FIG. 3