

US00D566254S

(12) **United States Design Patent**
Lim

(10) **Patent No.:** **US D566,254 S**

(45) **Date of Patent:** **** Apr. 8, 2008**

(54) **WALL-MOUNTED AIR CONDITIONER**

D487,142 S * 2/2004 Yoo D23/351

(75) Inventor: **Sun Young Lim**, Seoul (KR)

* cited by examiner

(73) Assignee: **Samsung Electronics Co., Ltd.**,
Suwon-Si (KR)

Primary Examiner—Brian N Vinson

(74) *Attorney, Agent, or Firm*—Staas & Halsey LLP

(**) Term: **14 Years**

(57) **CLAIM**

(21) Appl. No.: **29/287,244**

The ornamental design for a wall-mounted air conditioner,
as shown and described.

(22) Filed: **Jul. 13, 2007**

(30) **Foreign Application Priority Data**

Jan. 17, 2007 (KR) 30-2007-0002267

(51) **LOC (8) Cl.** **23-04**

(52) **U.S. Cl.** **D23/351**

(58) **Field of Classification Search** D23/351-354;
312/236; 62/259.1, 259.4, 262, 263, 304;
454/330, 331, 349, 350

See application file for complete search history.

(56) **References Cited**

U.S. PATENT DOCUMENTS

D368,305 S	*	3/1996	Shigenari et al.	D23/351
D417,910 S	*	12/1999	Nonaka	D23/351
D420,116 S	*	2/2000	Kobayashi	D23/351
D426,626 S	*	6/2000	Nonaka	D23/351
D439,317 S	*	3/2001	Kobayashi	D23/351
D446,292 S	*	8/2001	Asakura et al.	D23/351
D448,073 S	*	9/2001	Wakasa	D23/351
D449,095 S	*	10/2001	Yanagida et al.	D23/351
D450,823 S	*	11/2001	Kobayashi	D23/351
D451,586 S	*	12/2001	Oya et al.	D23/351
D454,188 S	*	3/2002	Nonaka	D23/351
D465,016 S	*	10/2002	Nanjo et al.	D23/351

DESCRIPTION

This application claims subject matter that is related to that shown in co-pending U.S. application Ser. No. 29/287,245, filed concurrently herewith, and claiming the benefit of Korean Patent Application Serial No. 30-2006-0002269, filed Jan. 17, 2007.

FIG. 1 is a perspective view of a wall-mounted air conditioner;

FIG. 2 is a front view of the wall-mounted air conditioner of FIG. 1;

FIG. 3 is a rear view of the wall-mounted air conditioner of FIG. 1;

FIG. 4 is a left-side view of the wall-mounted air conditioner of FIG. 1;

FIG. 5 is a right-side view of the wall-mounted air conditioner of FIG. 1;

FIG. 6 is a top plan view of the wall-mounted air conditioner of FIG. 1; and,

FIG. 7 is a bottom plan view of the wall-mounted air conditioner of FIG. 1.

1 Claim, 4 Drawing Sheets

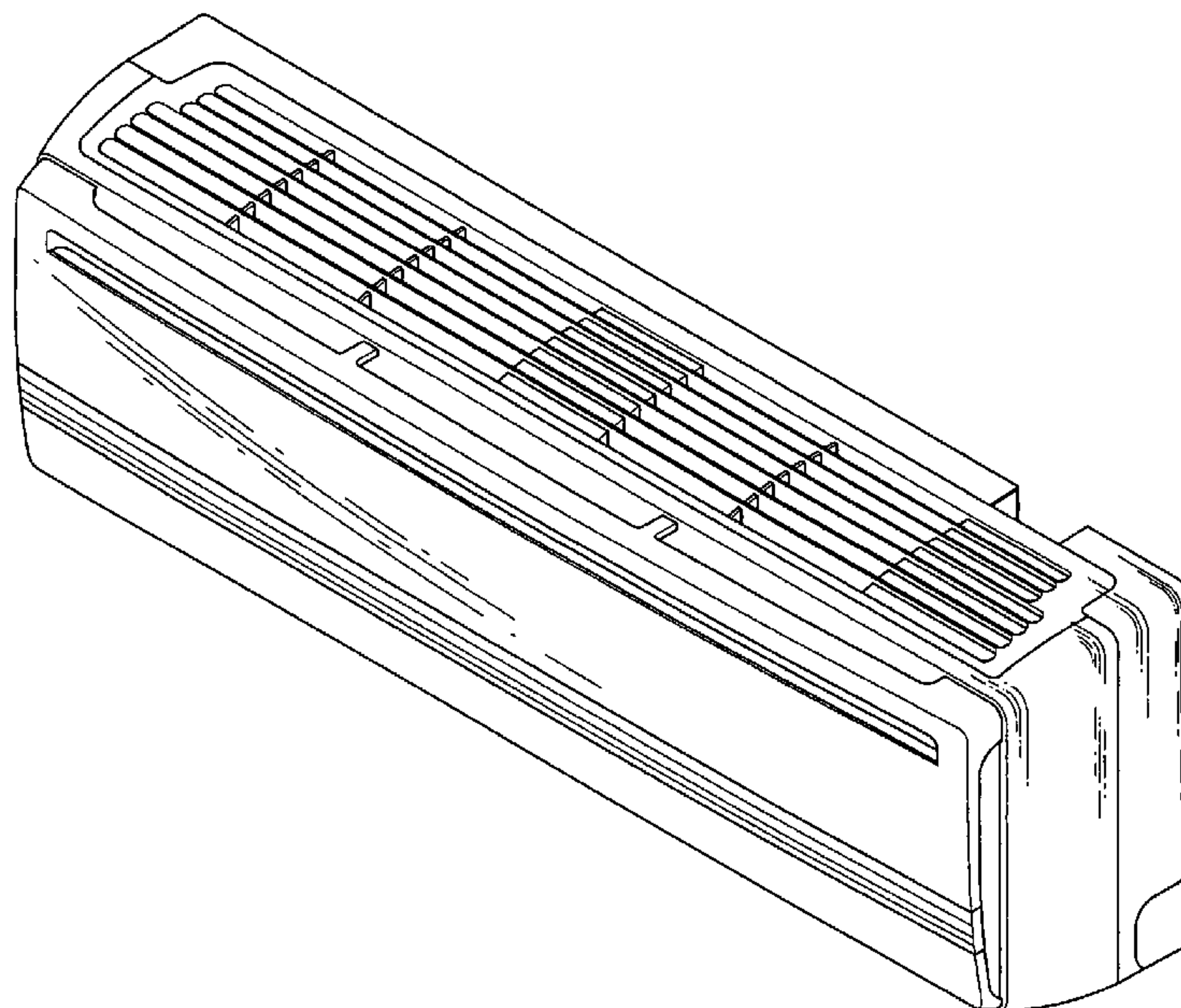


FIG. 1

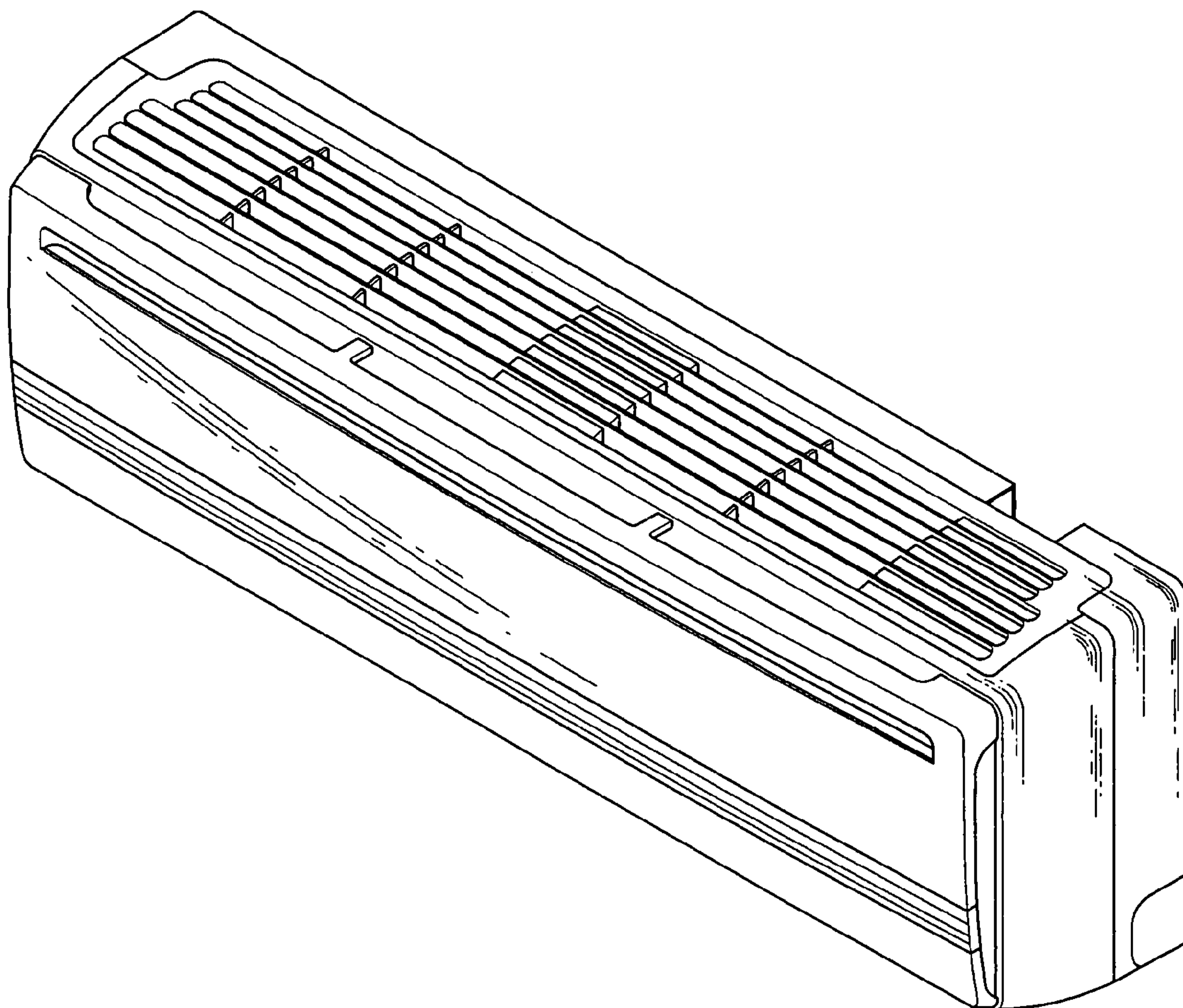


FIG. 2

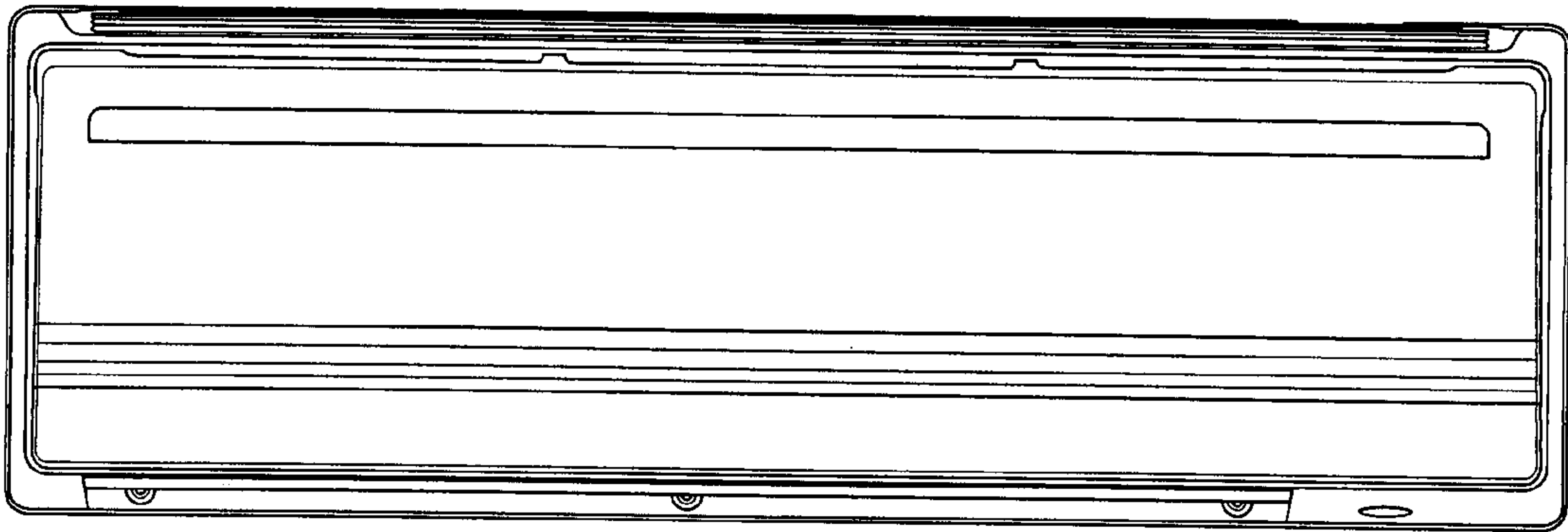


FIG. 3

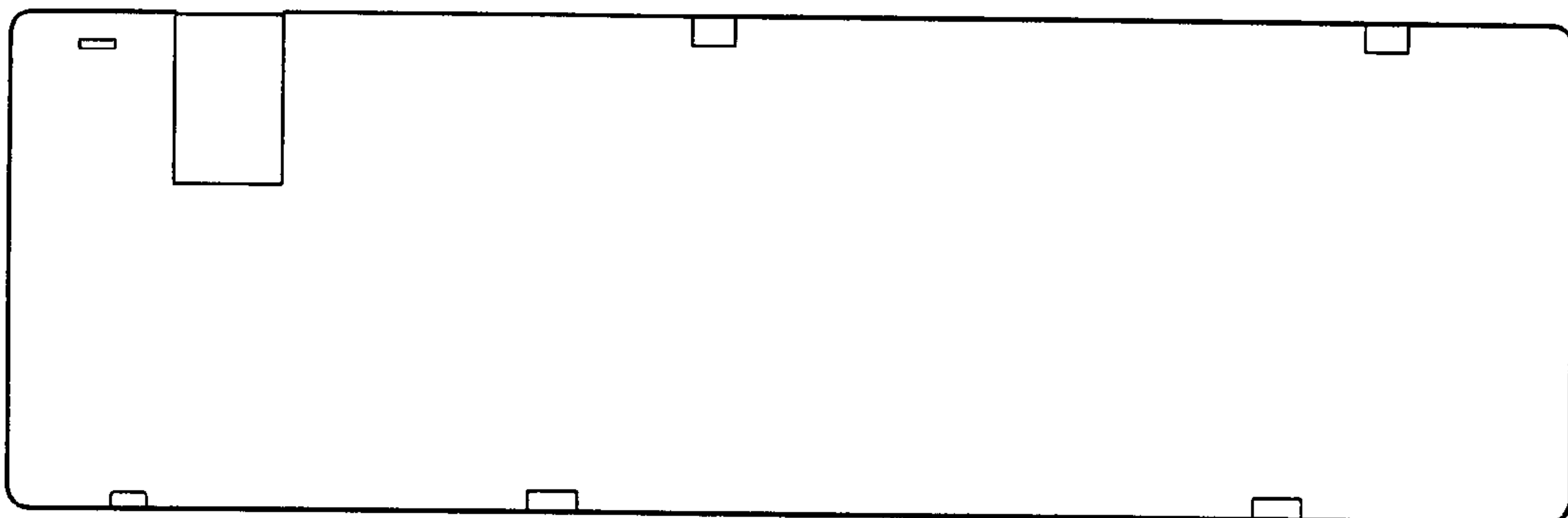


FIG. 4

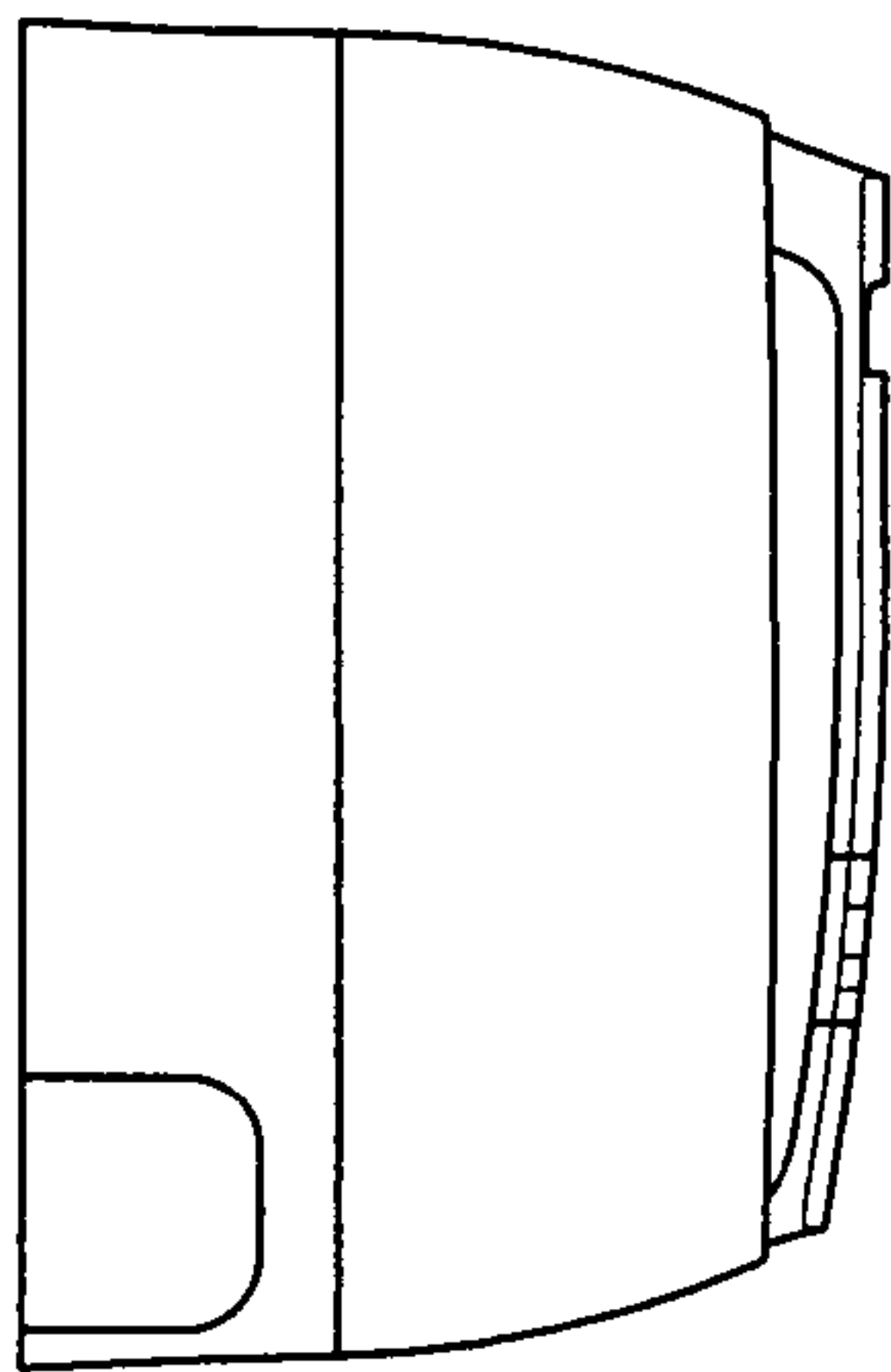


FIG. 5

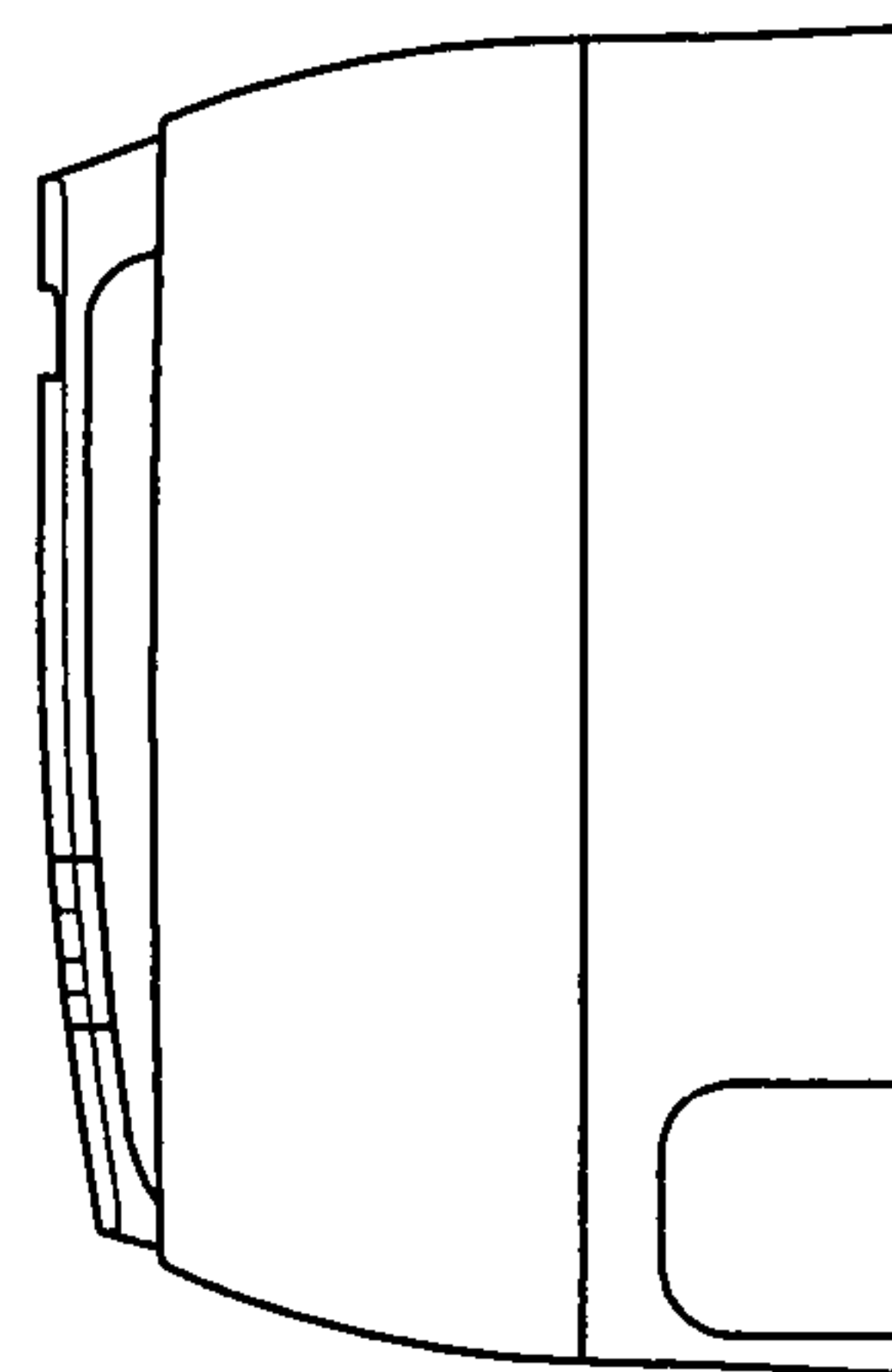


FIG. 6



FIG. 7

