

US00D566252S

(12) **United States Design Patent** (10) **Patent No.:** **US D566,252 S**  
**Blateri** (45) **Date of Patent:** **\*\* Apr. 8, 2008**

(54) **HEATER FAN**  
 (75) Inventor: **Frank Blateri**, Coppell, TX (US)  
 (73) Assignee: **Diani, LLC**, Dallas, TX (US)  
 (\*\*) Term: **14 Years**  
 (21) Appl. No.: **29/201,230**  
 (22) Filed: **Mar. 11, 2004**  
 (51) **LOC (8) Cl.** ..... **23-03**  
 (52) **U.S. Cl.** ..... **D23/336**  
 (58) **Field of Classification Search** ..... D23/332,  
 D23/314, 335-338, 340-345, 349-350; 392/360,  
 392/365-369, 373-376; 312/326; 126/110 B,  
 126/90 A, 92 A  
 See application file for complete search history.

D422,073 S 3/2000 Lozzio et al.  
 D423,659 S \* 4/2000 Schippanoski ..... D23/355  
 D423,663 S 4/2000 Rossman et al.  
 D424,683 S 5/2000 Bellil et al.  
 D427,674 S 7/2000 Moreno  
 D429,808 S 8/2000 Krauss  
 D433,497 S 11/2000 Hotaling et al.  
 D440,648 S 4/2001 Lee et al.  
 D441,065 S 4/2001 Ediger et al.  
 D444,871 S 7/2001 Wilson, Jr.  
 D447,552 S 9/2001 Lee et al.  
 D448,461 S 9/2001 Toro  
 6,285,829 B1 9/2001 Smith  
 D451,594 S 12/2001 Chen et al.  
 D451,595 S 12/2001 Chen et al.  
 D454,392 S 3/2002 Shapiro  
 D456,066 S 4/2002 Ching  
 D459,454 S 6/2002 Shapiro  
 D460,816 S 7/2002 Mavridis et al.  
 D466,599 S 12/2002 Bragg et al.  
 D468,818 S 1/2003 Chuang et al.  
 D479,589 S \* 9/2003 Koike ..... D23/336

(56) **References Cited**

**U.S. PATENT DOCUMENTS**

D151,015 S 9/1948 Stiles  
 4,703,152 A 10/1987 Shih-Chin  
 D309,182 S 7/1990 Hsu  
 D323,708 S 2/1992 Wang  
 D329,089 S 9/1992 Coup et al.  
 D343,231 S \* 1/1994 Lim ..... D23/336  
 D343,676 S 1/1994 Lim  
 D344,527 S 2/1994 Drago et al.  
 D349,570 S 8/1994 Radtke, Jr.  
 D359,344 S 6/1995 De'Longhi  
 D382,951 S \* 8/1997 Deines et al. .... D23/336  
 D389,567 S \* 1/1998 Gudfin ..... D23/336  
 D389,587 S \* 1/1998 Orell Porrazzo et al. .. D24/225  
 D395,080 S 6/1998 Jane et al.  
 D395,490 S 6/1998 Jane' et al.  
 D396,527 S 7/1998 Boyle et al.  
 D398,983 S 9/1998 Keller et al.  
 D402,742 S 12/1998 Chen  
 D405,520 S 2/1999 Birdsell  
 D408,907 S 4/1999 Moreno  
 D421,114 S 2/2000 Lozzio et al.  
 D421,646 S 3/2000 Palma et al.

**FOREIGN PATENT DOCUMENTS**

DE 2039684 11/1994

\* cited by examiner

*Primary Examiner*—Brian N Vinson  
(74) *Attorney, Agent, or Firm*—Haynes and Boone, LLP

(57) **CLAIM**

The ornamental design for a heater fan, as shown and described.

**DESCRIPTION**

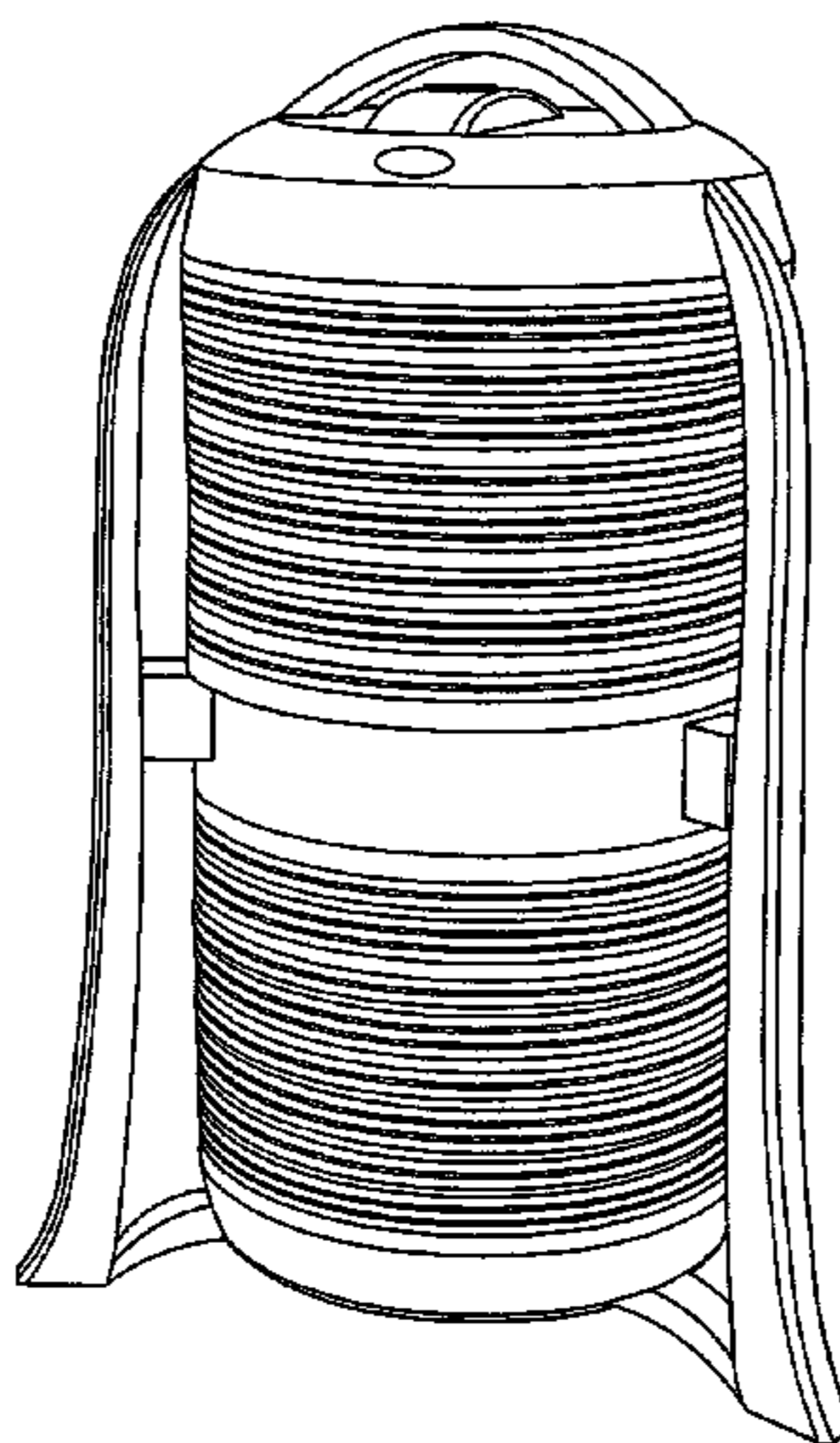
FIG. 1 is an isometric view of the heater fan showing my new design;

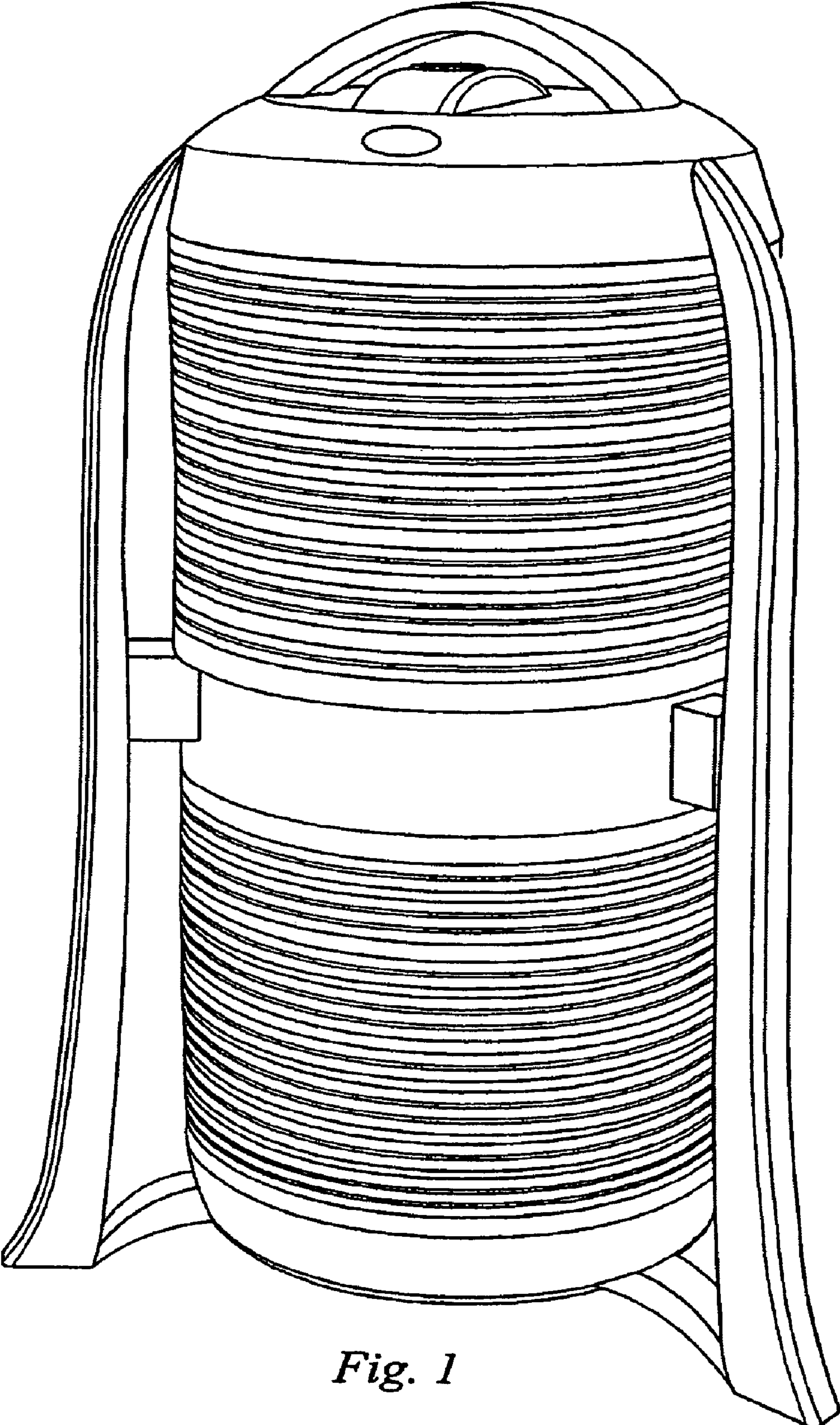
FIG. 2 is a front elevational view thereof;

FIG. 3 is a side elevational view thereof; and,

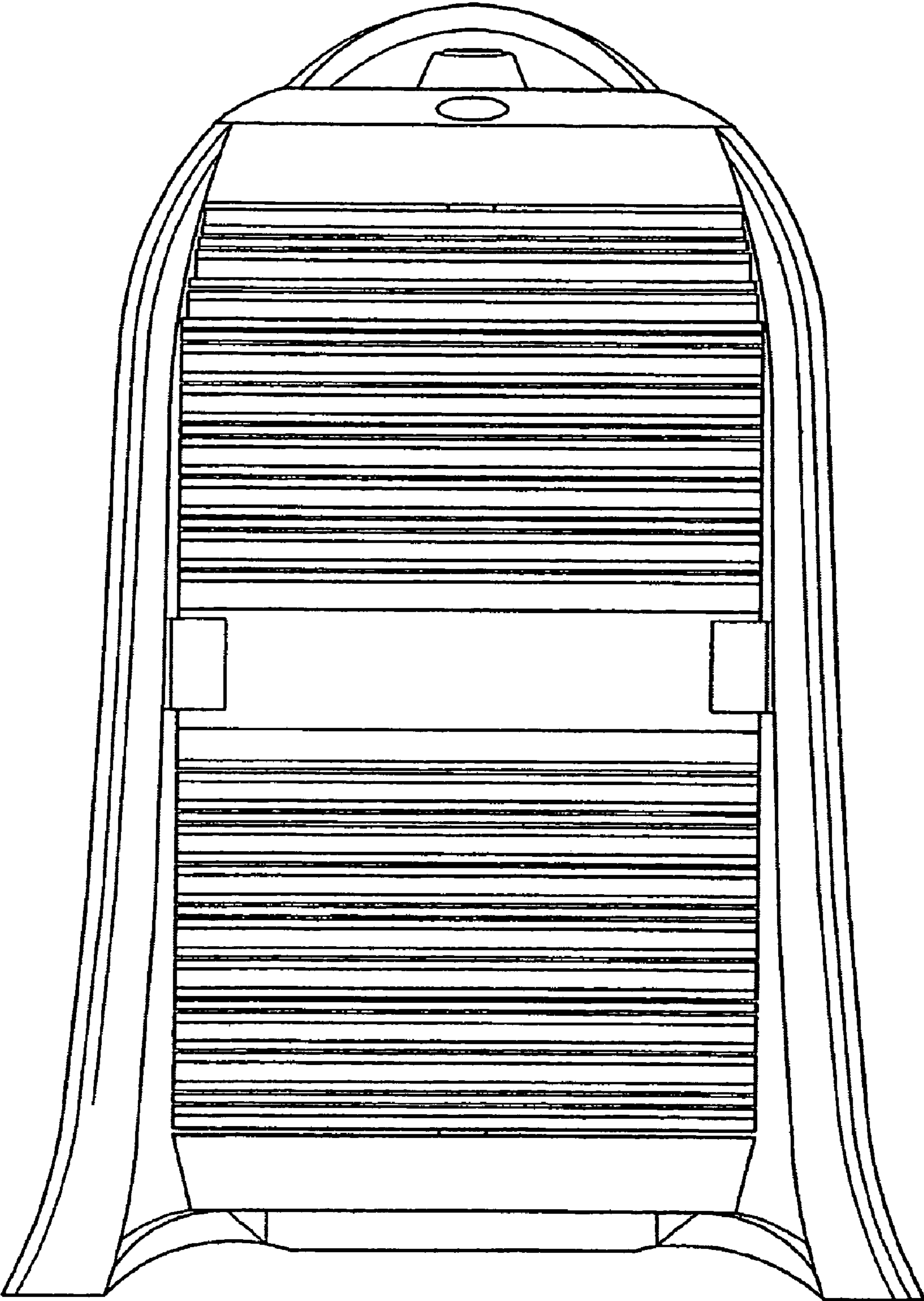
FIG. 4 is a top view thereof.

**1 Claim, 4 Drawing Sheets**



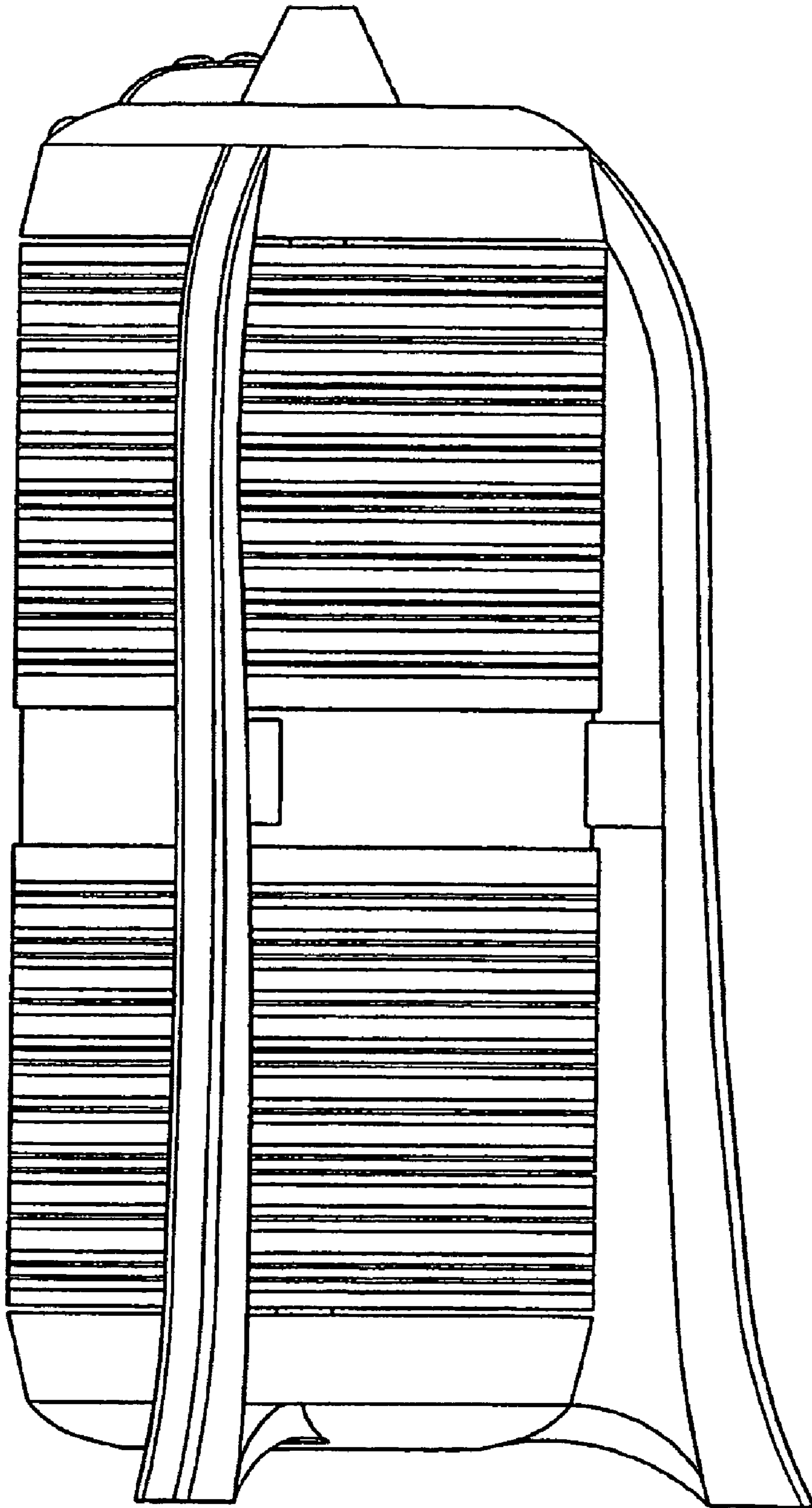


*Fig. 1*

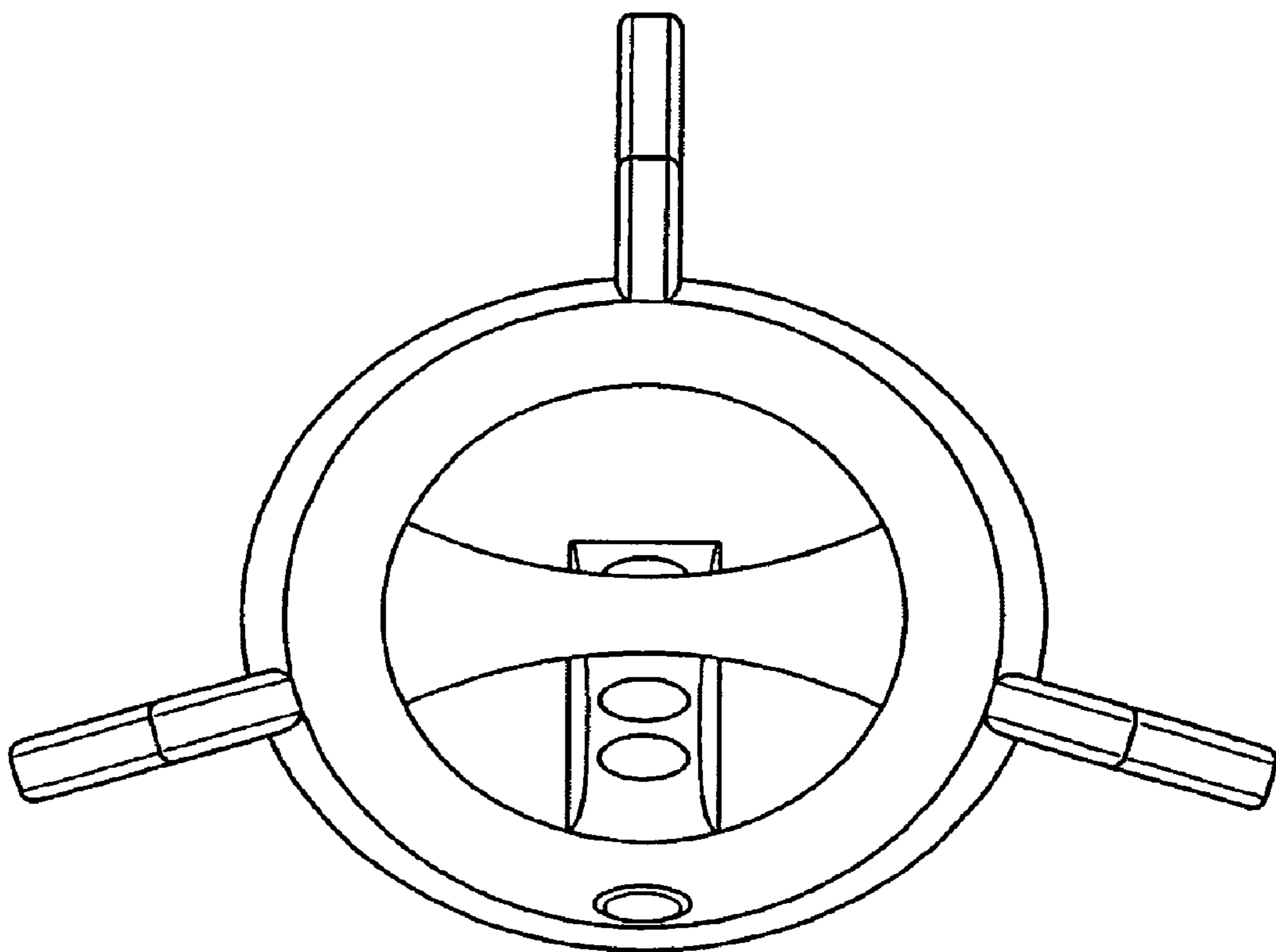


*Fig. 2*





*Fig. 3*



*Fig. 4*