

US00D566248S

(12) **United States Design Patent**
Lobermeier et al.

(10) **Patent No.:** **US D566,248 S**

(45) **Date of Patent:** **** Apr. 8, 2008**

(54) **SHOWER STATION**

(75) Inventors: **Hans Lobermeier**, Menden (DE);
Jochen Allard, Menden (DE); **Paul**
Flowers, Dusseldorf (DE); **Patrick**
Speck, Dusseldorf (DE)

(73) Assignee: **Grohe AG**, Hemer (DE)

(**) Term: **14 Years**

(21) Appl. No.: **29/289,161**

(22) Filed: **Jul. 10, 2007**

(30) **Foreign Application Priority Data**

Jan. 16, 2007 (DE) 000652755-0001

(51) **LOC (8) Cl.** **23-02**

(52) **U.S. Cl.** **D23/283**

(58) **Field of Classification Search** D23/228,
D23/275, 283, 303-304; 4/546, 552, 559,
4/567-569, 596-597, 615, 661; D8/363
See application file for complete search history.

(56) **References Cited**

U.S. PATENT DOCUMENTS

D540,924 S * 4/2007 Bouroullec et al. D23/304

D540,925 S * 4/2007 Garner D23/304
D541,394 S * 4/2007 Toyohara D23/304
D550,337 S * 9/2007 Stein D23/304

* cited by examiner

Primary Examiner—Robert A. Delehanty

(74) *Attorney, Agent, or Firm*—Andrew Wilford

(57) **CLAIM**

The ornamental design for a shower station, as shown.

DESCRIPTION

FIG. 1 is a perspective view from the left front of the shower station showing our new design;

FIG. 2 is a front elevational view of the shower station;

FIG. 3 is a right-side elevational View of the shower station;

FIG. 4 is a back elevational view of the shower station;

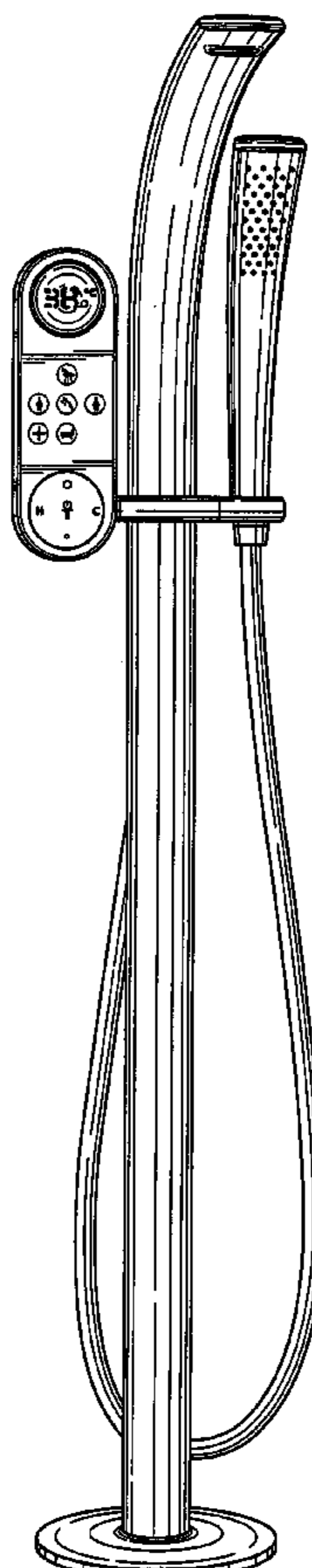
FIG. 5 is a right-side elevational view of the shower station;

FIG. 6 is a top view of the shower station; and,

FIG. 7 is a bottom view of the shower station.

The broken line showing of a digital read out and bottom surface is for illustrative purposes only and forms no part of the claimed design.

1 Claim, 4 Drawing Sheets



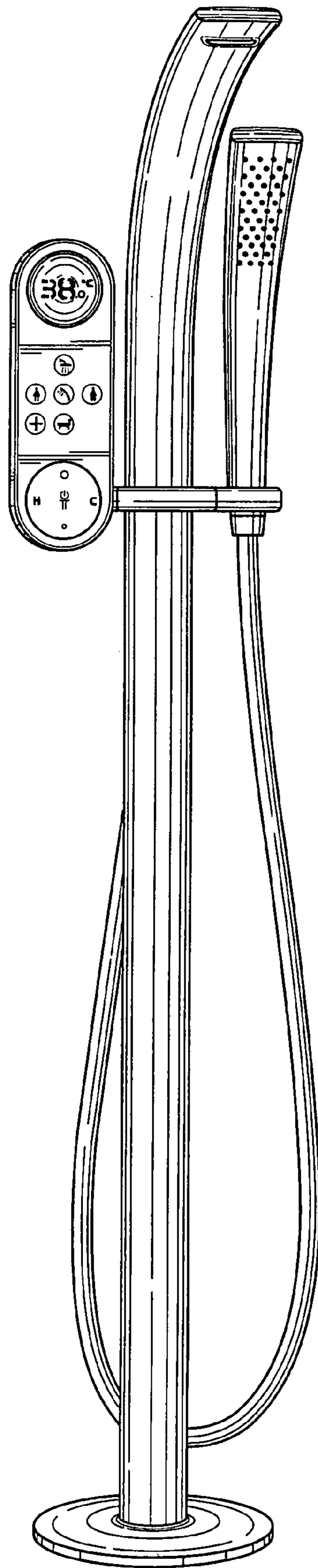


Fig. 1

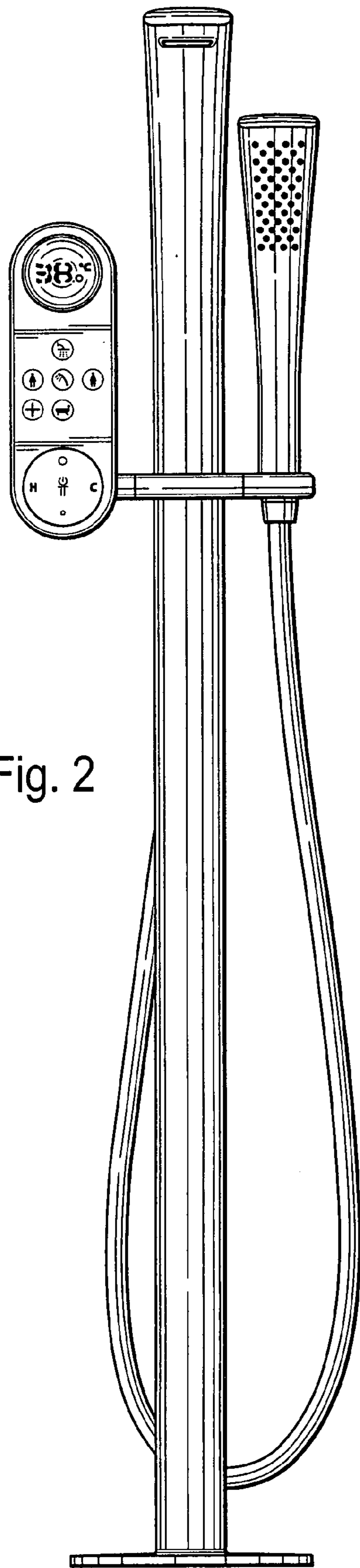


Fig. 2

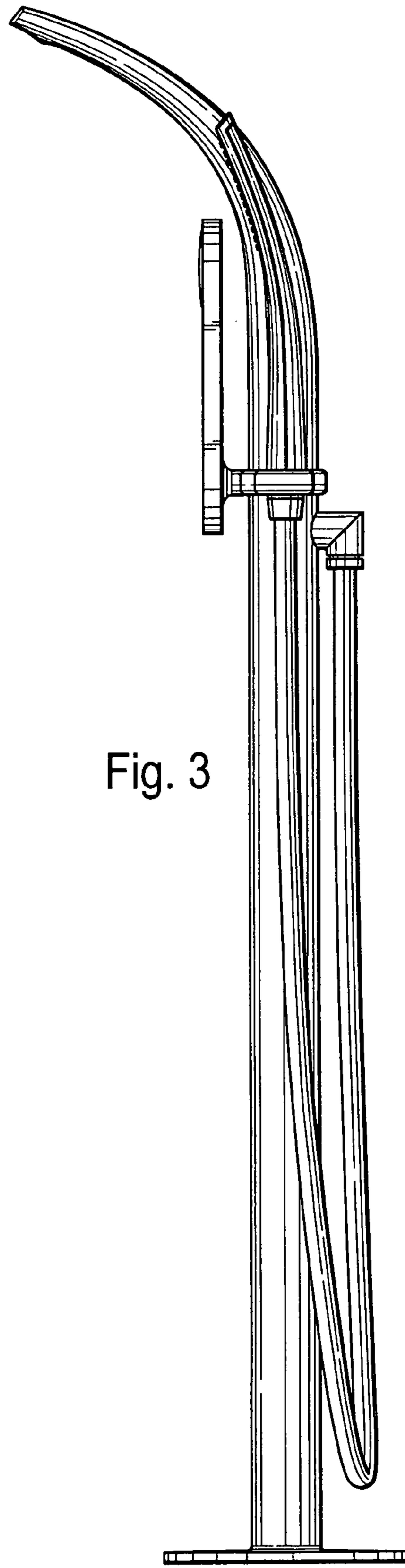


Fig. 3

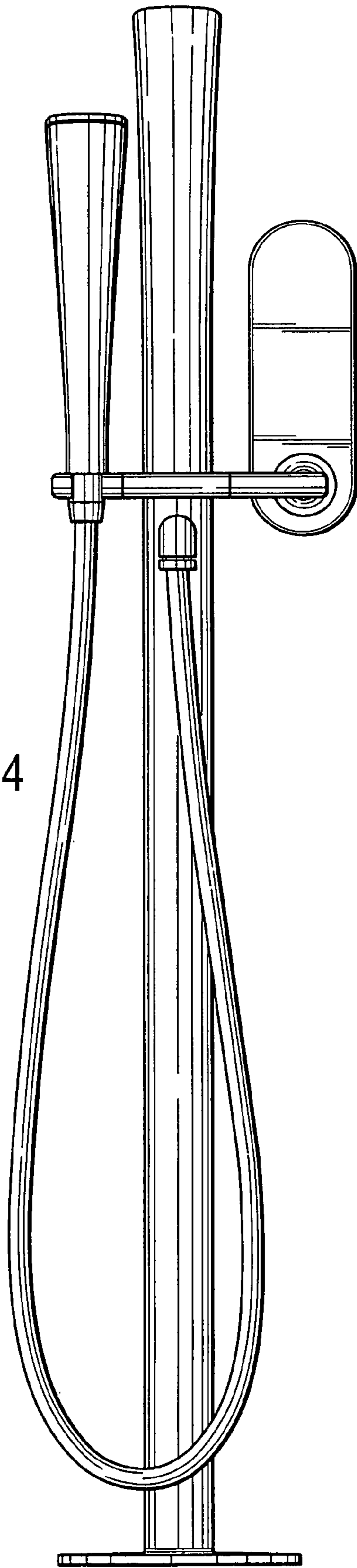


Fig. 4

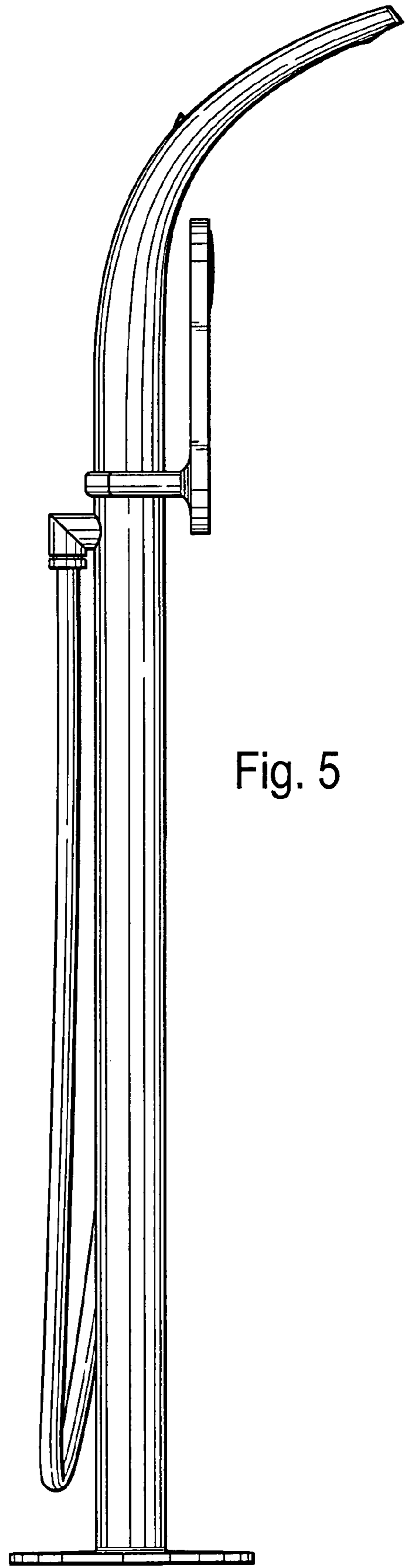


Fig. 5

Fig. 6

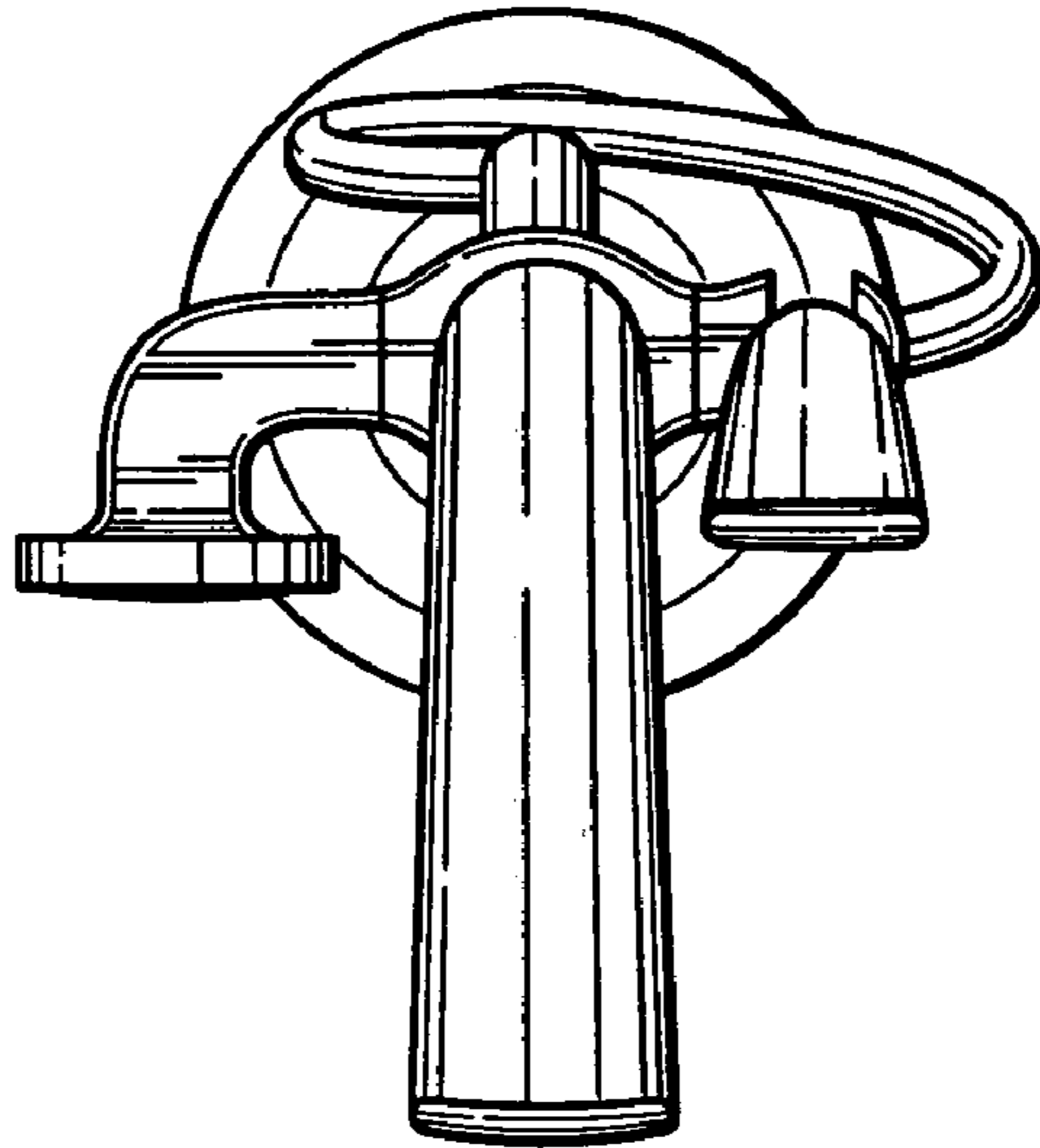


Fig. 7

