



US00D566247S

(12) **United States Design Patent**
Cunningham

(10) **Patent No.:** **US D566,247 S**

(45) **Date of Patent:** **** Apr. 8, 2008**

(54) **BATHTUB**

(75) **Inventor:** **Jeffrey L. Cunningham**, Cabot, AR (US)

(73) **Assignee:** **Nokia Corporation**, Espoo (FI)

(**) **Term:** **14 Years**

(21) **Appl. No.:** **29/278,034**

(22) **Filed:** **Mar. 16, 2007**

(51) **LOC (8) Cl.** **23-02**

(52) **U.S. Cl.** **D23/280.1**

(58) **Field of Classification Search** D23/273,
D23/275-280.4, 304-306; D24/204-205;
4/538, 573.1, 584, 589, 591

See application file for complete search history.

(56) **References Cited**

U.S. PATENT DOCUMENTS

D32,858 S *	6/1900	Wells	D23/280.1
D321,556 S *	11/1991	Reid et al.	D23/280.2
D407,468 S *	3/1999	McKeone	D23/277
D412,973 S *	8/1999	Donnely	D23/277
D483,444 S *	12/2003	Lebrun et al.	D23/277
D510,615 S *	10/2005	Matthews et al.	D23/280.1

OTHER PUBLICATIONS

Lefroy Brooks "XO" bathtub as shown in Home Design The New York Times Magazine, Fall 2002.*

* cited by examiner

Primary Examiner—Robert A. Delehanty

(74) *Attorney, Agent, or Firm*—Banner Witcoff, Ltd.

(57) **CLAIM**

The ornamental design for a bathtub, as shown and described.

DESCRIPTION

FIG. 1 is a top view of a bathtub showing my new design;

FIG. 2 is a left side view thereof;

FIG. 3 is a right side view thereof;

FIG. 4 is a front view thereof;

FIG. 5 is a rear view thereof; and,

FIG. 6 is a perspective view thereof.

The broken lines showing various disclaimed regions in FIGS. 1, 4 and 6 are for illustrative purposes only and form no part of the claimed design.

1 Claim, 4 Drawing Sheets

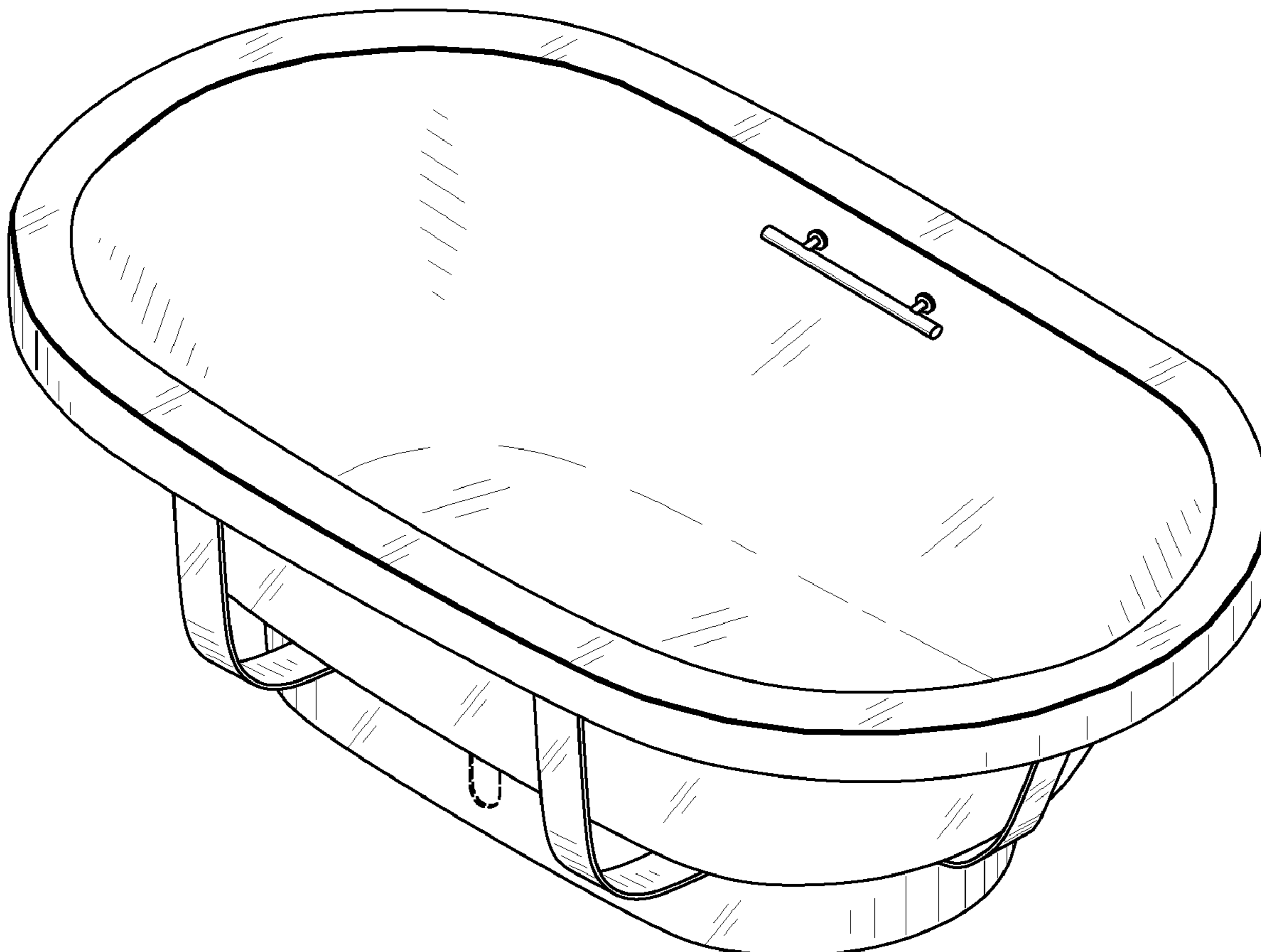


FIG. 1

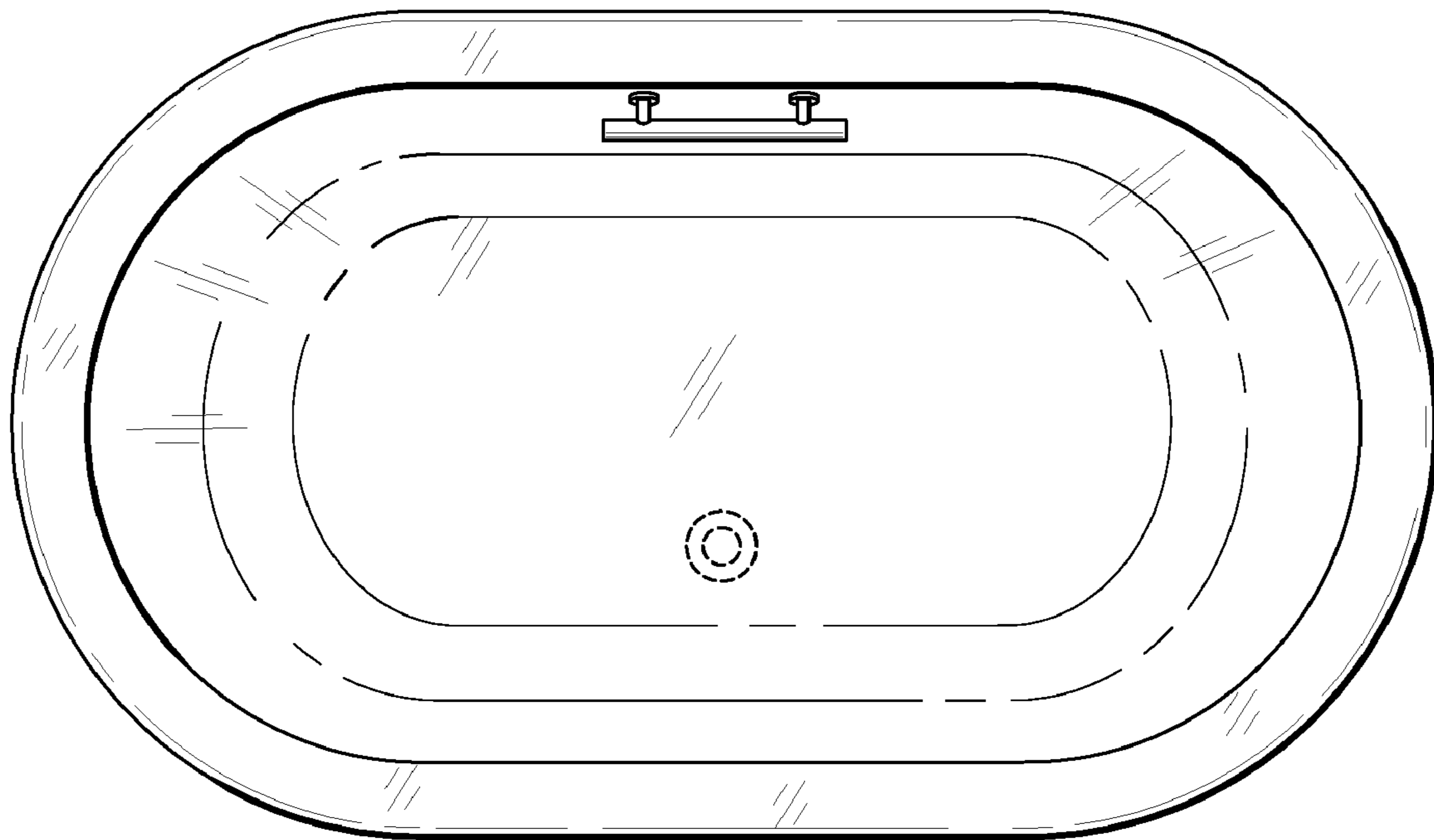


FIG. 2

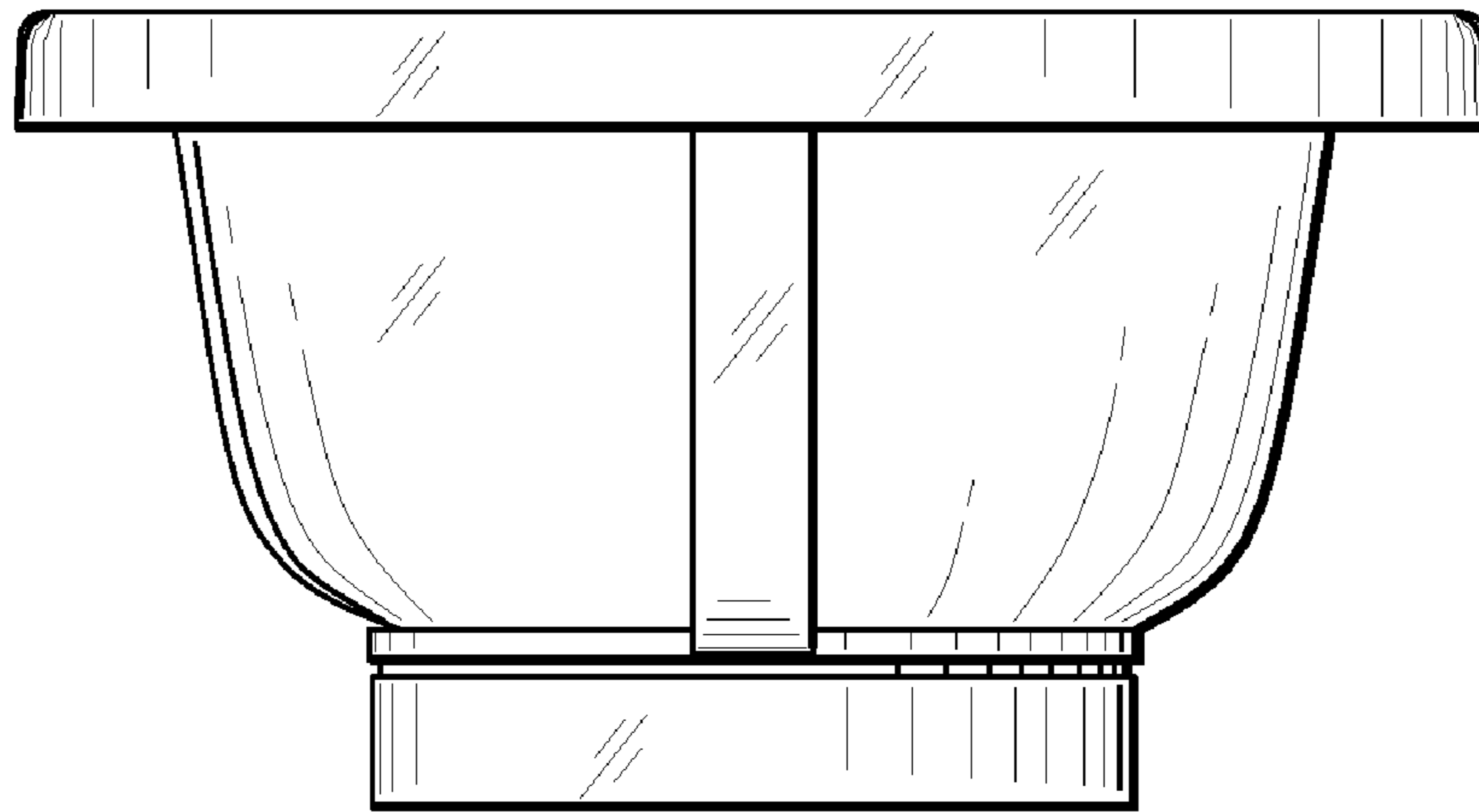


FIG. 3

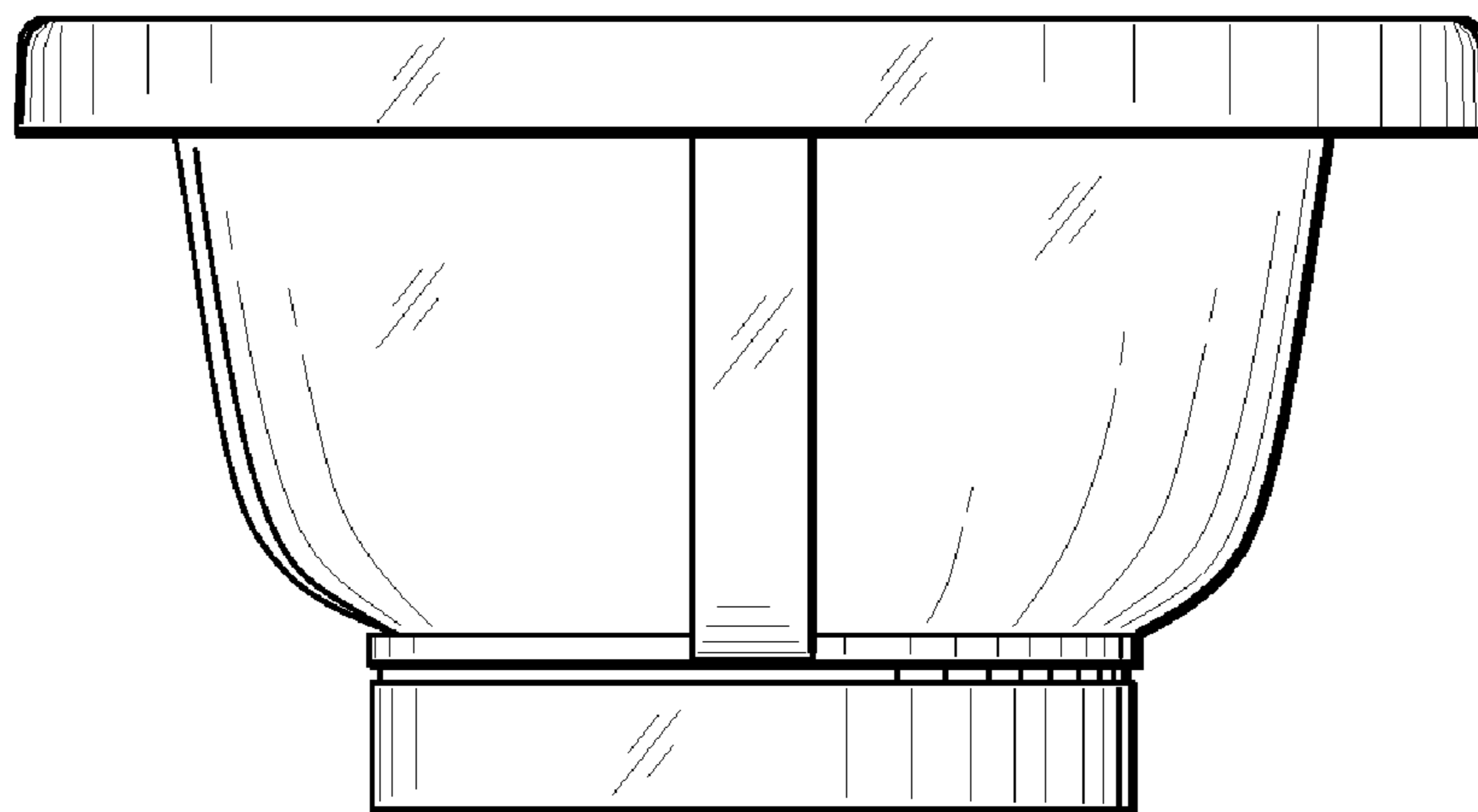


FIG. 4

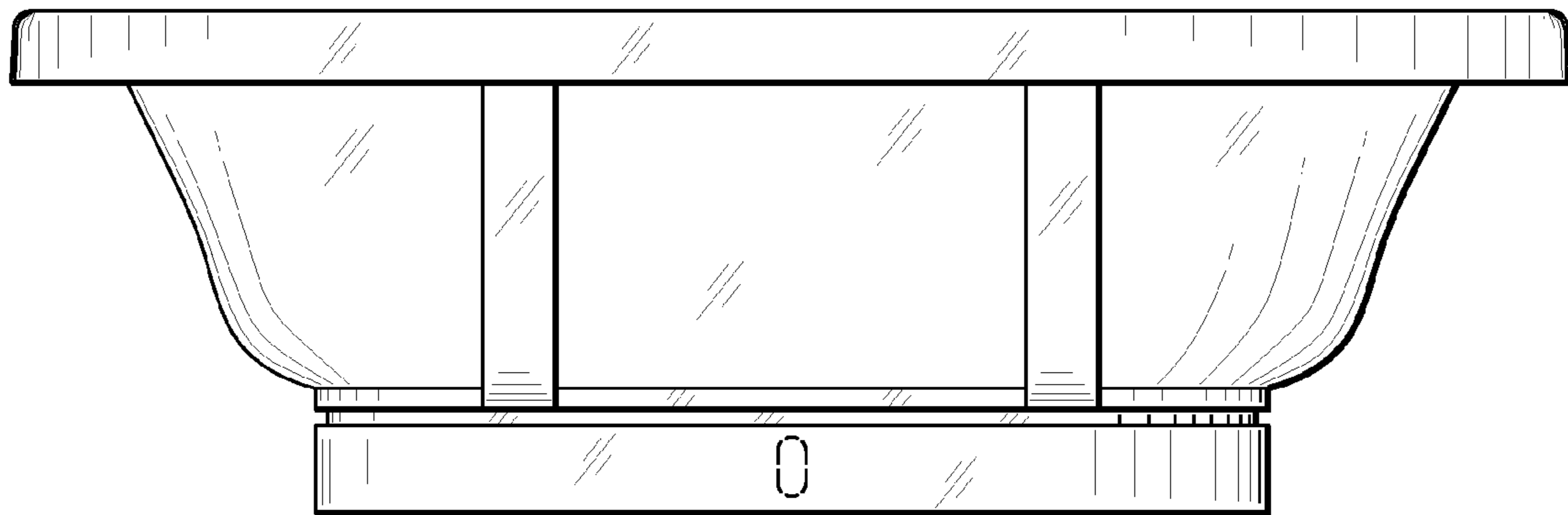


FIG. 5

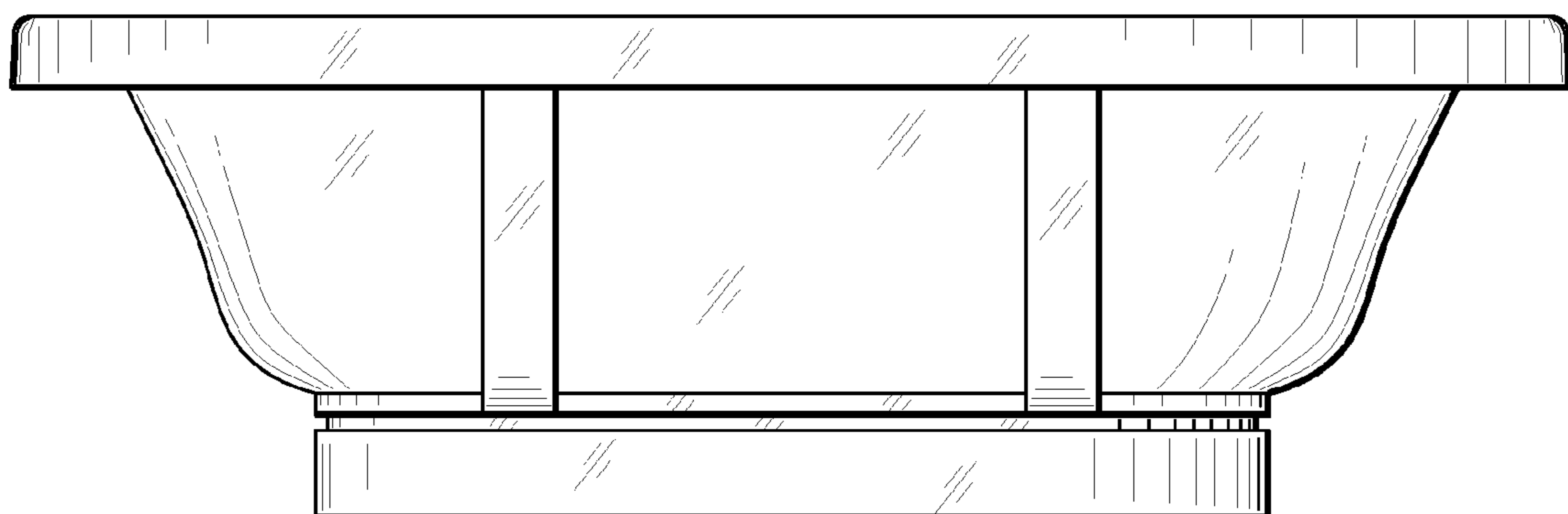
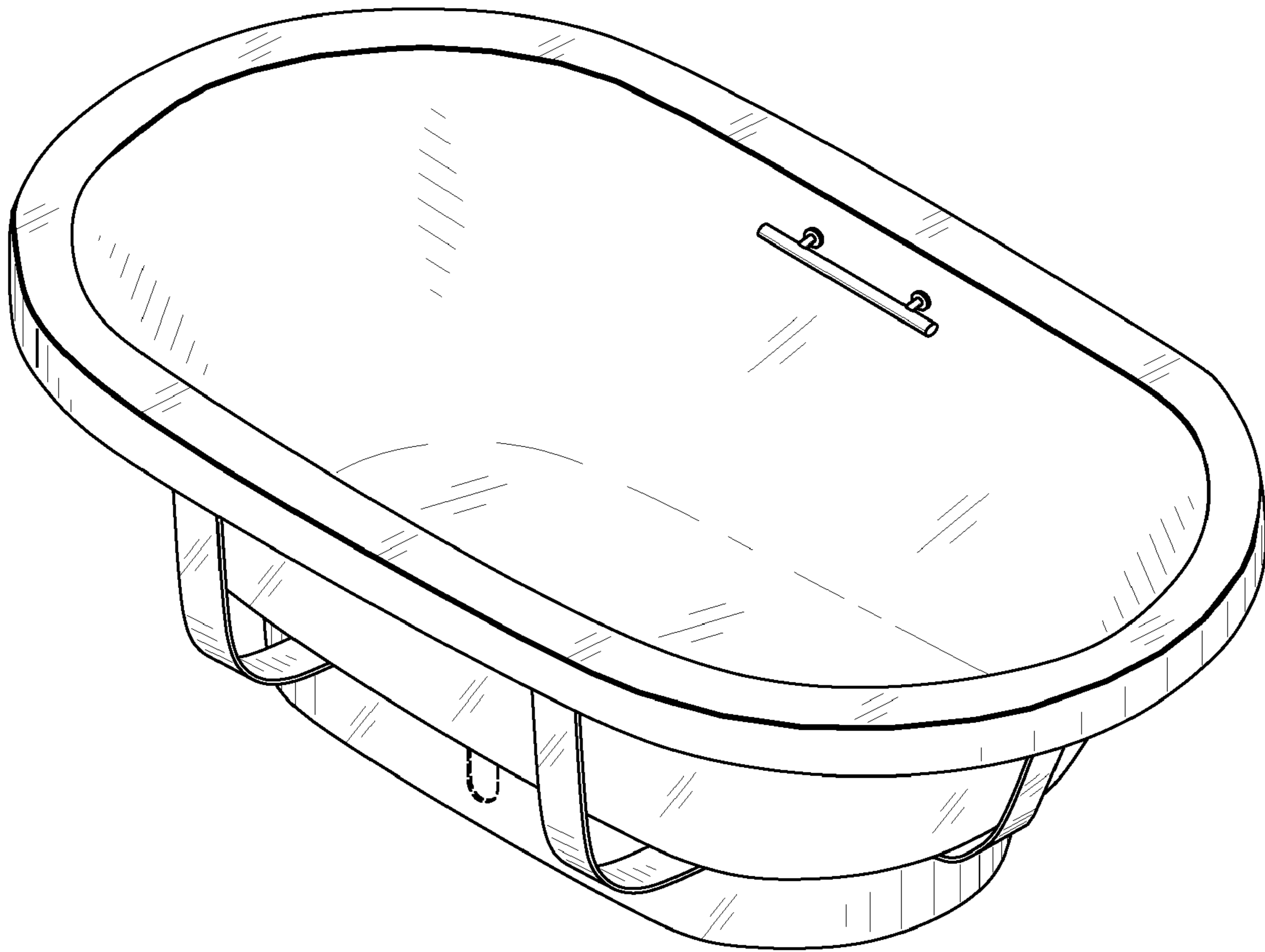


FIG. 6



UNITED STATES PATENT AND TRADEMARK OFFICE
CERTIFICATE OF CORRECTION

PATENT NO. : Des. 566,247 S
APPLICATION NO. : 29/278034
DATED : April 8, 2008
INVENTOR(S) : Jeffrey L. Cunningham

Page 1 of 1

It is certified that error appears in the above-identified patent and that said Letters Patent is hereby corrected as shown below:

On the Title page, Item (73) Assignee:

Please delete "Nokia Corporation" and insert --Jason International, Inc.--

Signed and Sealed this

Sixteenth Day of December, 2008

A handwritten signature in black ink that reads "Jon W. Dudas". The signature is written in a cursive style with a large, looped initial "J".

JON W. DUDAS

Director of the United States Patent and Trademark Office