

US00D566246S

(12) **United States Design Patent**
Cunningham

(10) **Patent No.:** **US D566,246 S**

(45) **Date of Patent:** **** Apr. 8, 2008**

(54) **BATHTUB**

(75) Inventor: **Jeffrey L. Cunningham**, Cabot, AR
(US)

(73) Assignee: **Nokia Corporation**, Espoo (FI)

(**) Term: **14 Years**

(21) Appl. No.: **29/278,026**

(22) Filed: **Mar. 16, 2007**

(51) **LOC (8) Cl.** **23-02**

(52) **U.S. Cl.** **D23/277; D24/204**

(58) **Field of Classification Search** D23/273,
D23/275-280.4, 304-306; D24/204-205;
4/538, 573.1, 584, 589, 591

See application file for complete search history.

(56) **References Cited**

U.S. PATENT DOCUMENTS

D250,961 S * 1/1979 Bonsack D23/275
D522,661 S * 6/2006 Loyd D24/204

* cited by examiner

Primary Examiner—Robert A. Delehanty

(74) *Attorney, Agent, or Firm*—Banner Witcoff, Ltd.

(57) **CLAIM**

The ornamental design for a bathtub, as shown and described.

DESCRIPTION

FIG. 1 is a perspective view of a bathtub showing my new design;

FIG. 2 is a front view thereof;

FIG. 3 is a rear view thereof;

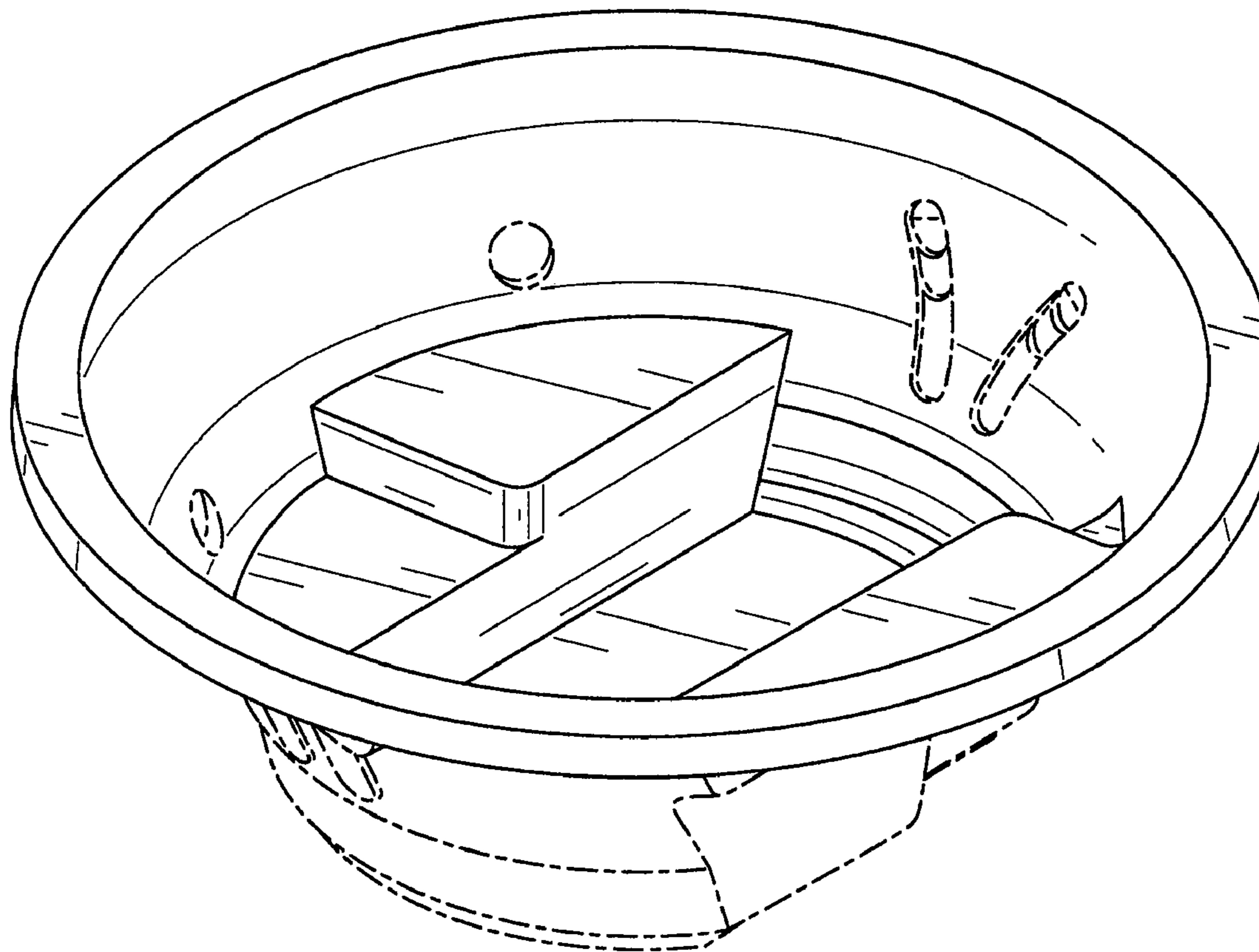
FIG. 4 is a left side view thereof;

FIG. 5 is a right side view thereof; and,

FIG. 6 is a top view thereof.

The broken line showing of the remainder of the bathtub is for illustrative purposes only and forms no part of the claimed design.

1 Claim, 6 Drawing Sheets



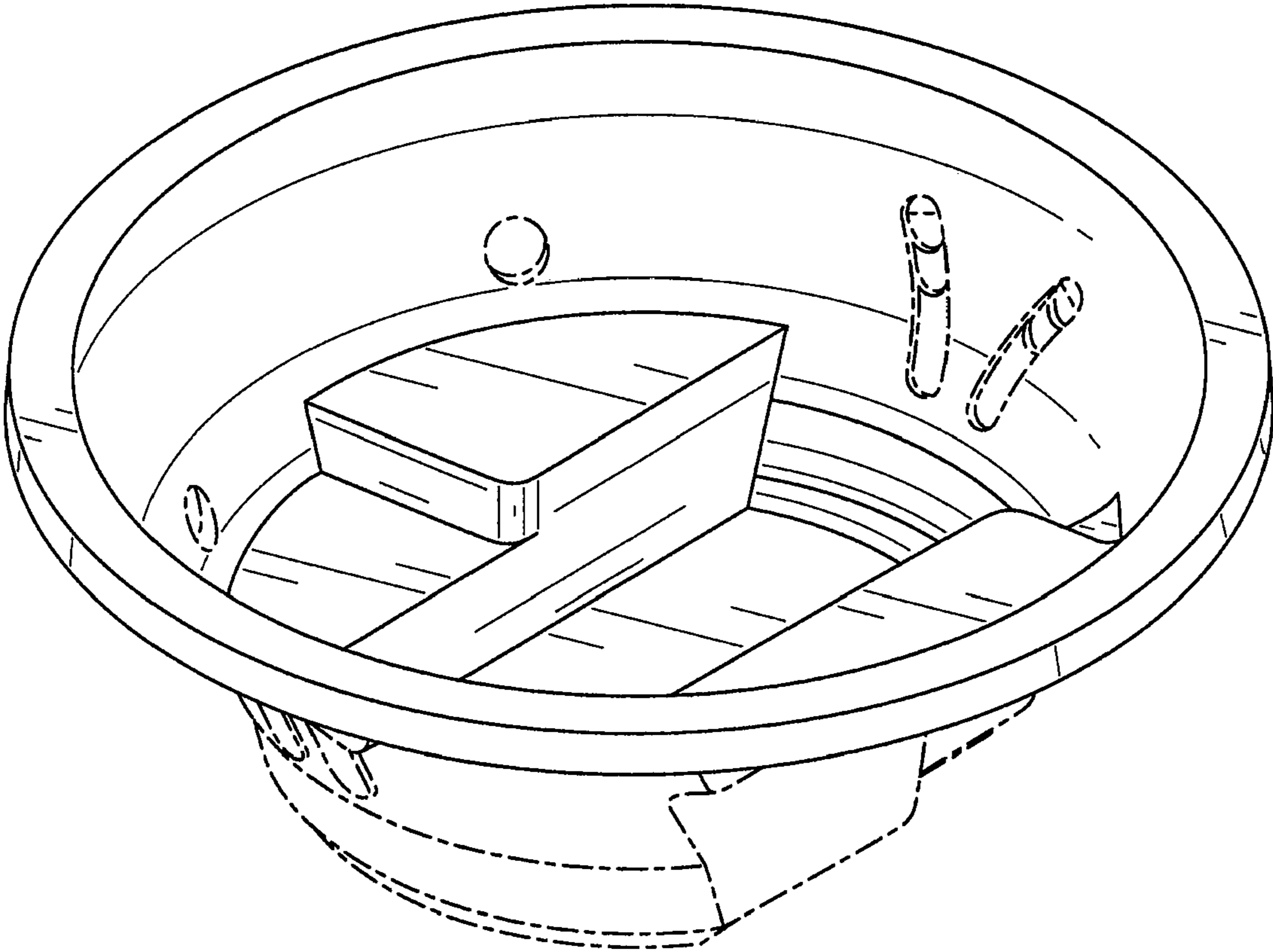


FIG. 1

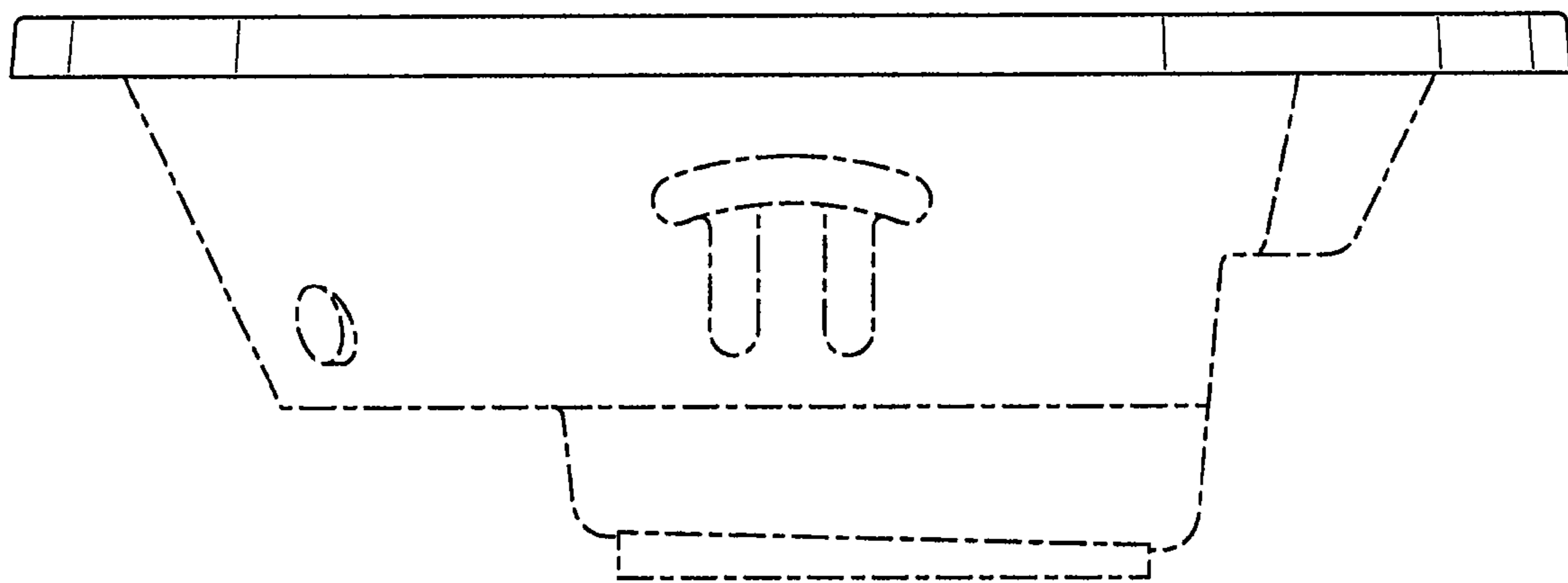


FIG. 2

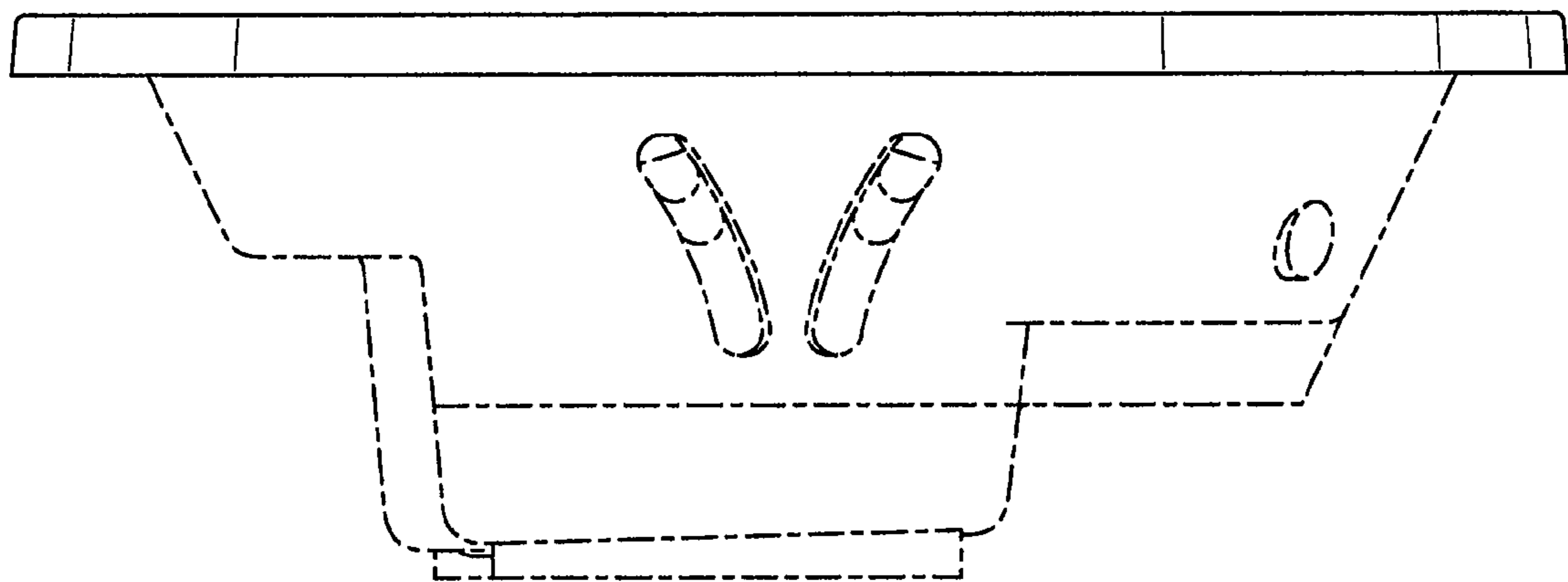


FIG. 3

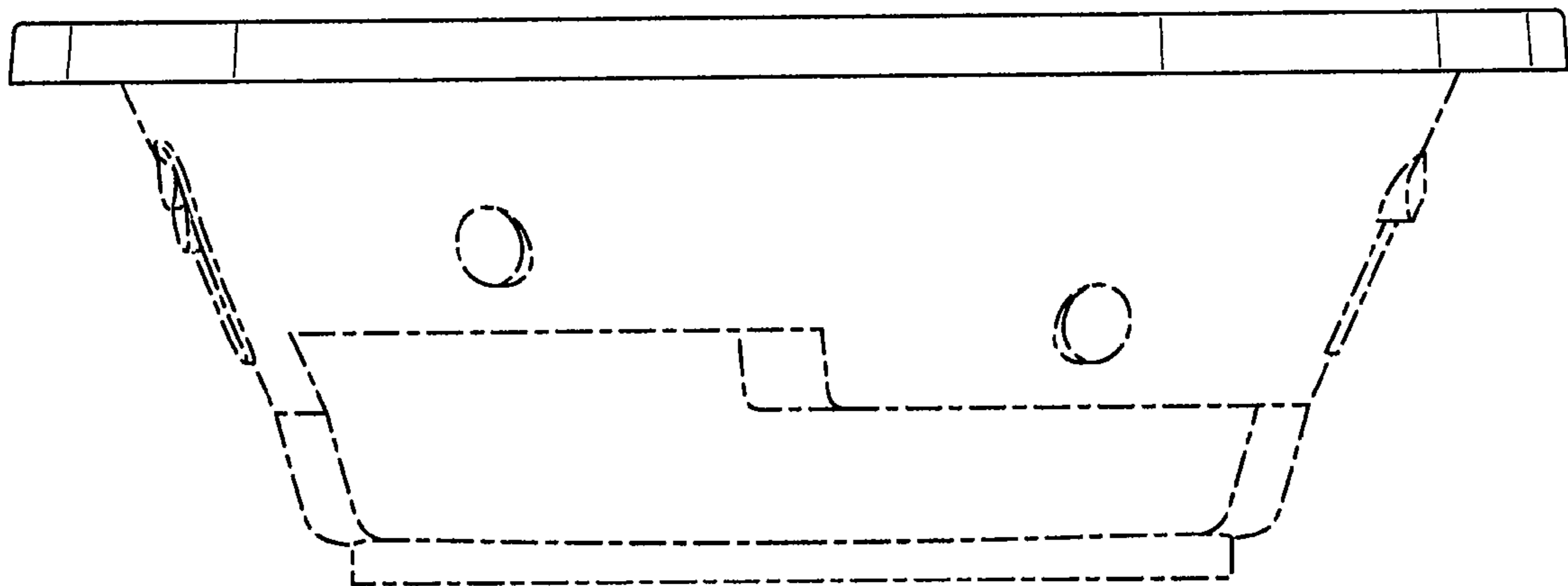


FIG. 4

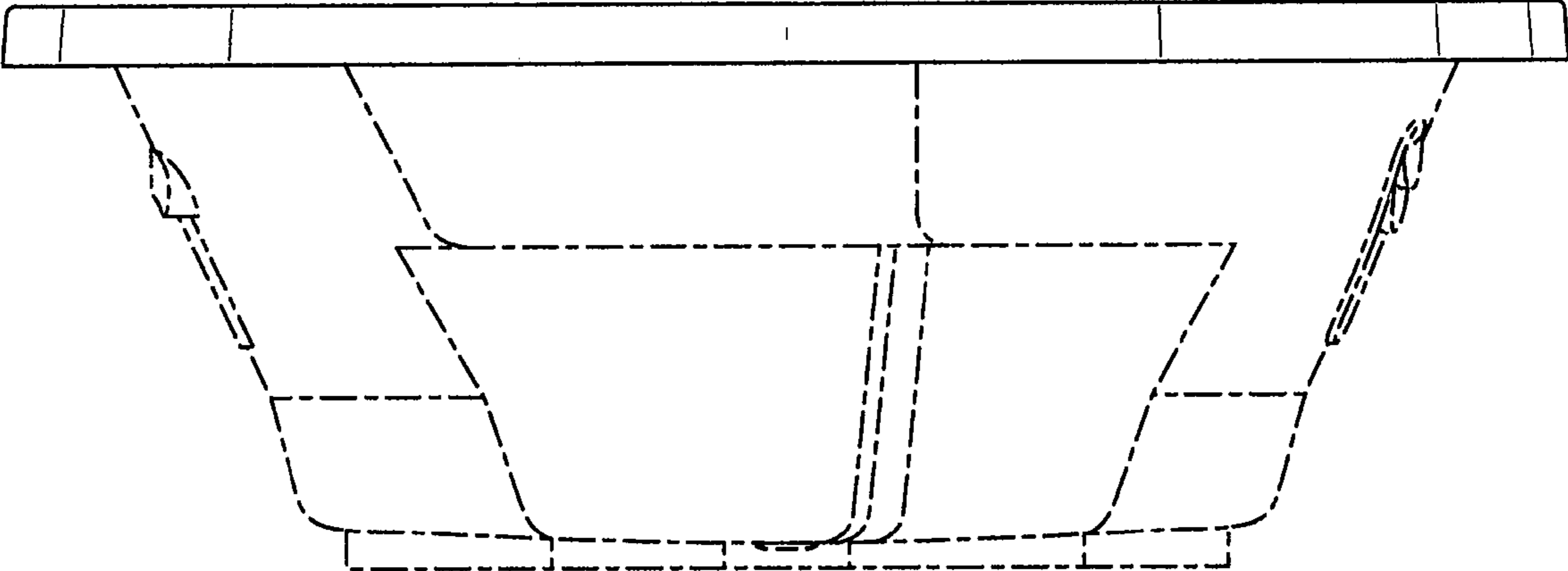


FIG. 5

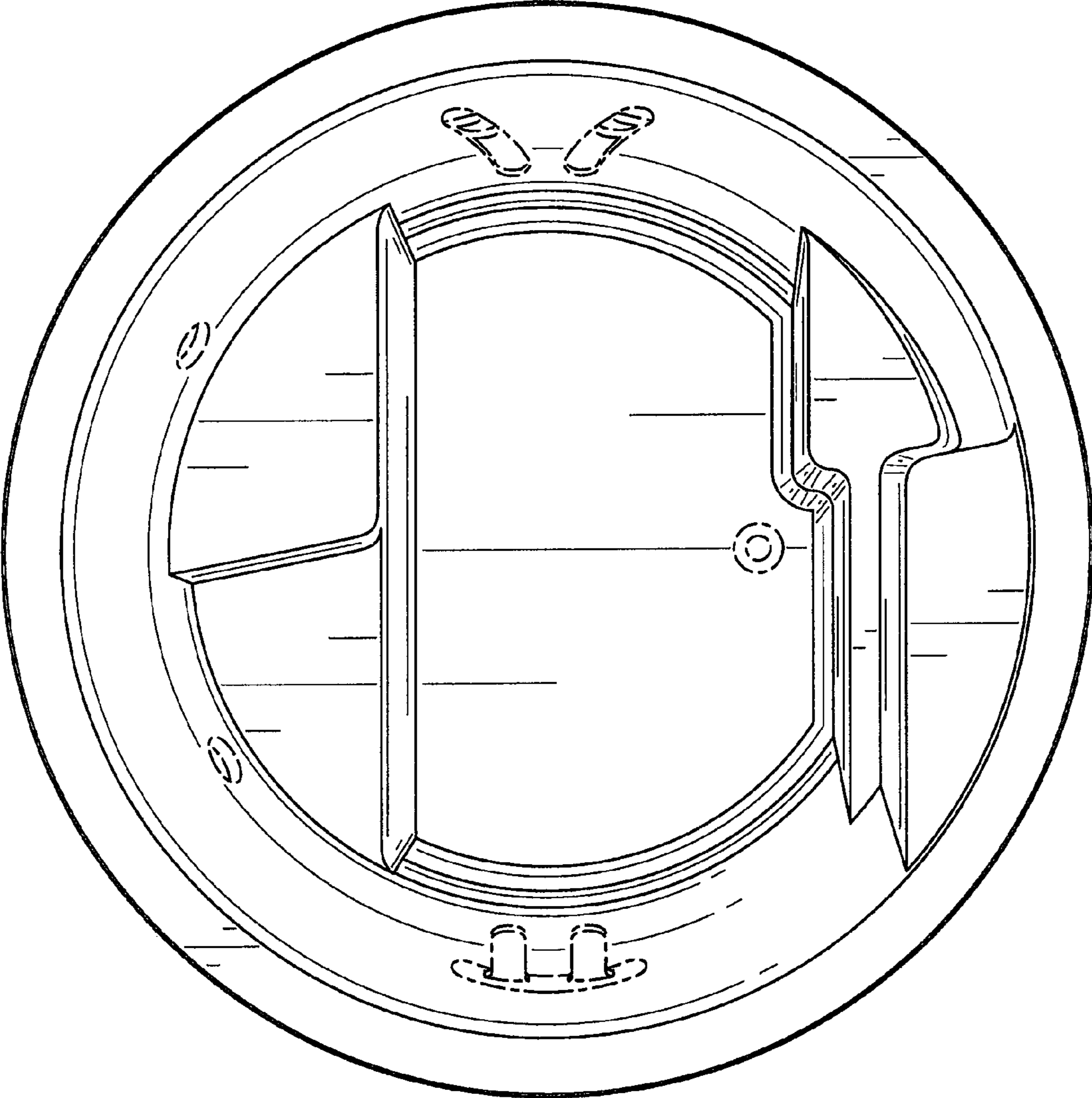


FIG. 6

UNITED STATES PATENT AND TRADEMARK OFFICE
CERTIFICATE OF CORRECTION

PATENT NO. : Des. 566,246 S
APPLICATION NO. : 29/278026
DATED : April 8, 2008
INVENTOR(S) : Jeffrey L. Cunningham

Page 1 of 1

It is certified that error appears in the above-identified patent and that said Letters Patent is hereby corrected as shown below:

Title page, Item (73) Assignee:

Please delete "Nokia Corporation" and insert --Jason International, Inc.--

Signed and Sealed this

First Day of December, 2009



David J. Kappos
Director of the United States Patent and Trademark Office