

US00D566245S

(12) **United States Design Patent**
Dolan

(10) **Patent No.:** **US D566,245 S**

(45) **Date of Patent:** **** Apr. 8, 2008**

(54) **FAUCET SPOUT**

Primary Examiner—Robert A. Delehanty

(76) **Inventor:** **Patrick S. Dolan**, 2700 NW. Front Ave., Portland, OR (US) 97210

(57) **CLAIM**

The ornamental design for a faucet spout, as shown and described.

(**) **Term:** **14 Years**

(21) **Appl. No.:** **29/264,420**

(22) **Filed:** **Aug. 8, 2006**

DESCRIPTION

(51) **LOC (8) Cl.** **23-01**

FIG. 1 is a perspective view thereof;

(52) **U.S. Cl.** **D23/255**

FIG. 2 is a front elevational view thereof;

(58) **Field of Classification Search** D23/238–243,
D23/250–257; 4/675–678; 137/801
See application file for complete search history.

FIG. 3 is a right side view, the left side view being a mirror image;

(56) **References Cited**

FIG. 4 is a back plan view thereof;

U.S. PATENT DOCUMENTS

FIG. 5 is a top plan view thereof; and,

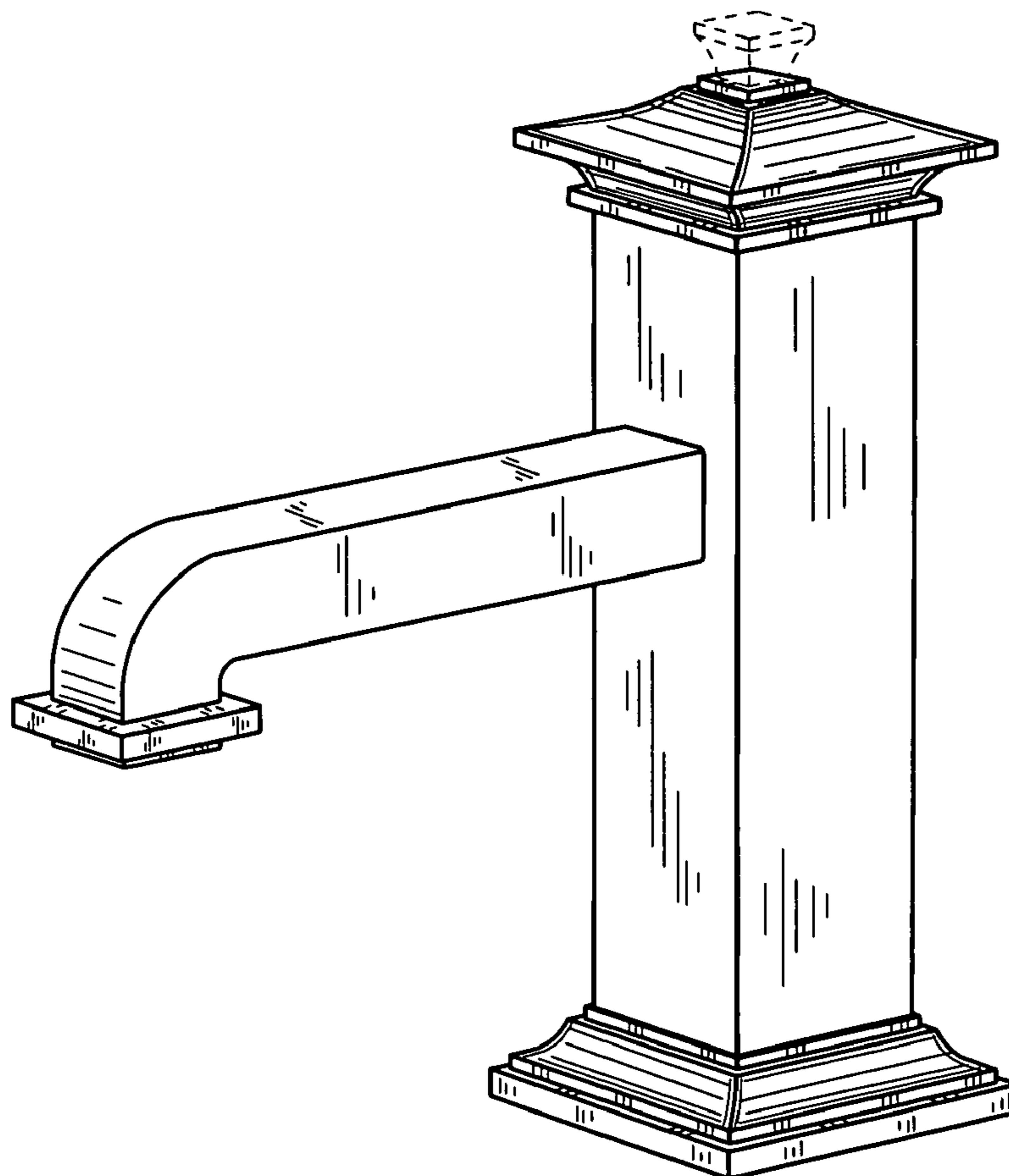
| | | | |
|--------------|---------|--------------|---------------|
| D478,966 S | 8/2003 | Citterio | |
| D503,217 S | 3/2005 | Aubry et al. | |
| D510,978 S | 10/2005 | Kulig | |
| D518,153 S * | 3/2006 | Theberge | D23/255 |

FIG. 6 is a bottom plan view thereof.

The broken line showing of environmental structure is for illustrative purposes only and forms no part of the claimed design.

* cited by examiner

1 Claim, 6 Drawing Sheets



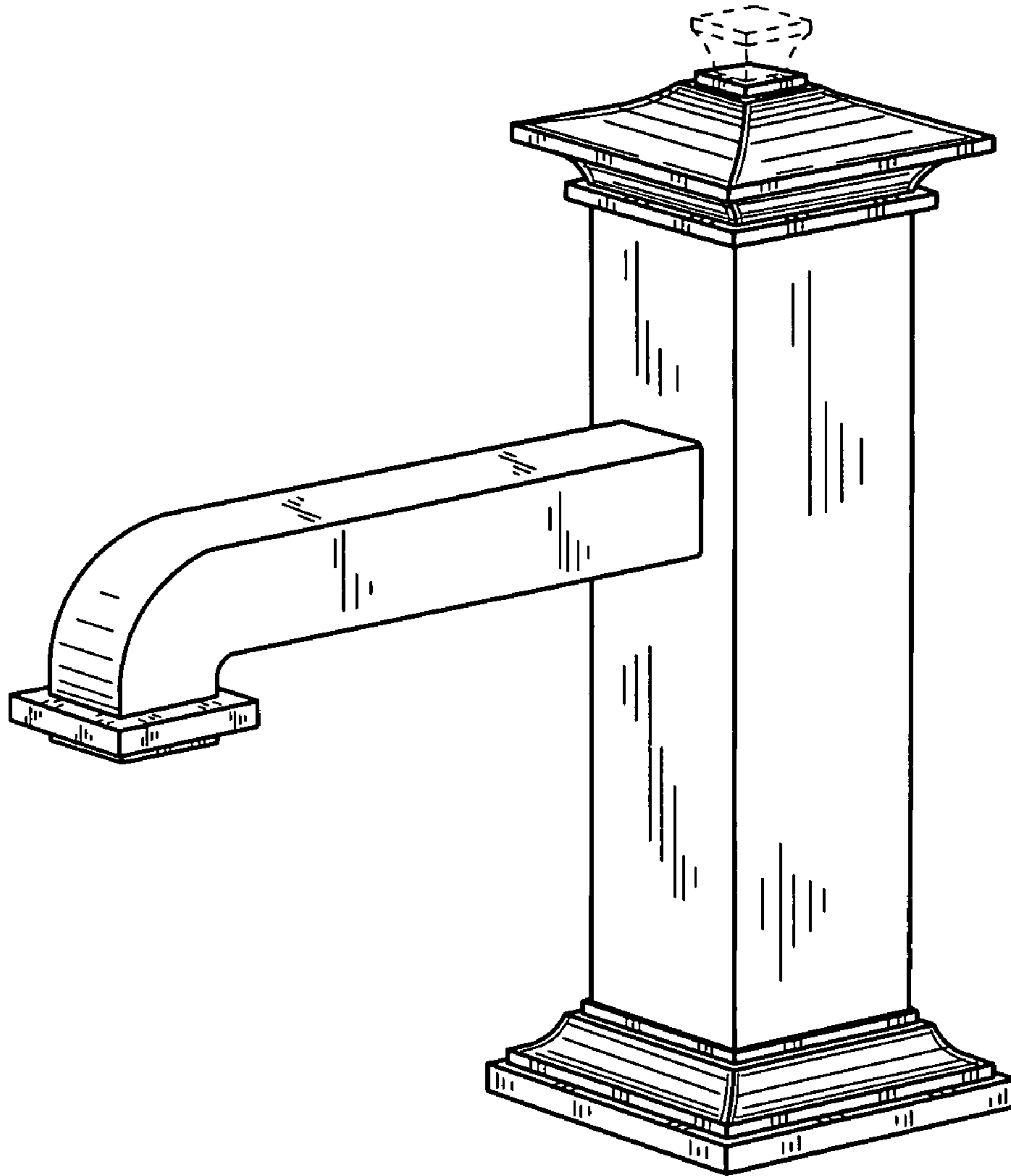


FIG. 1

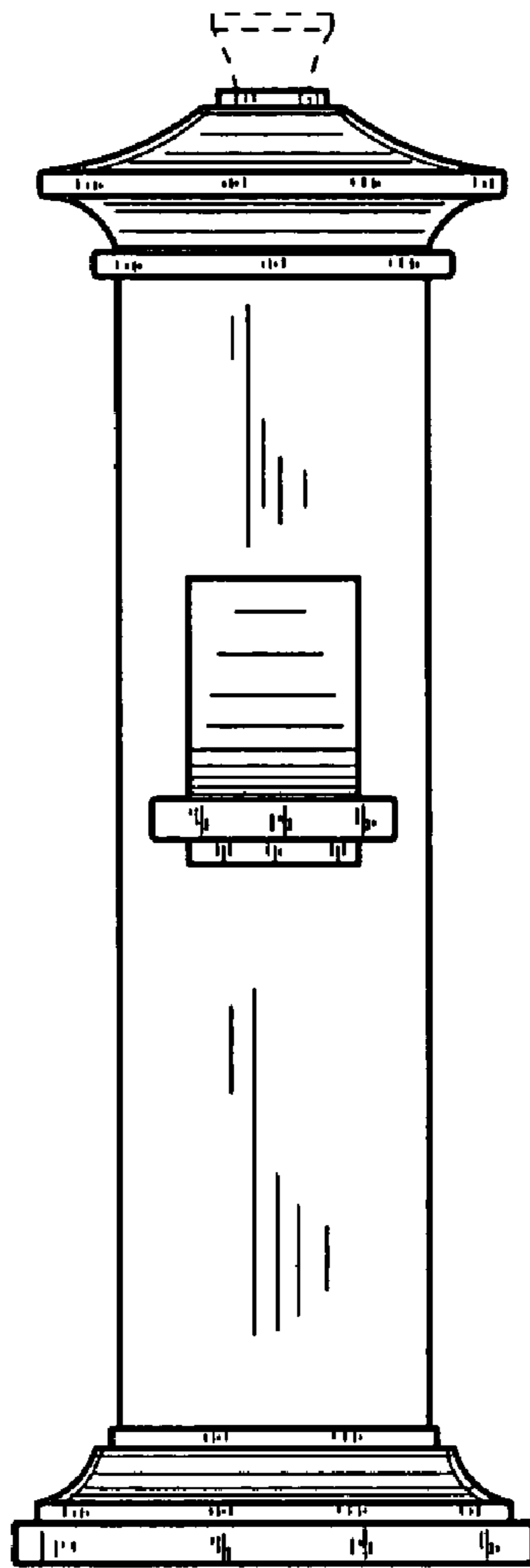


FIG. 2

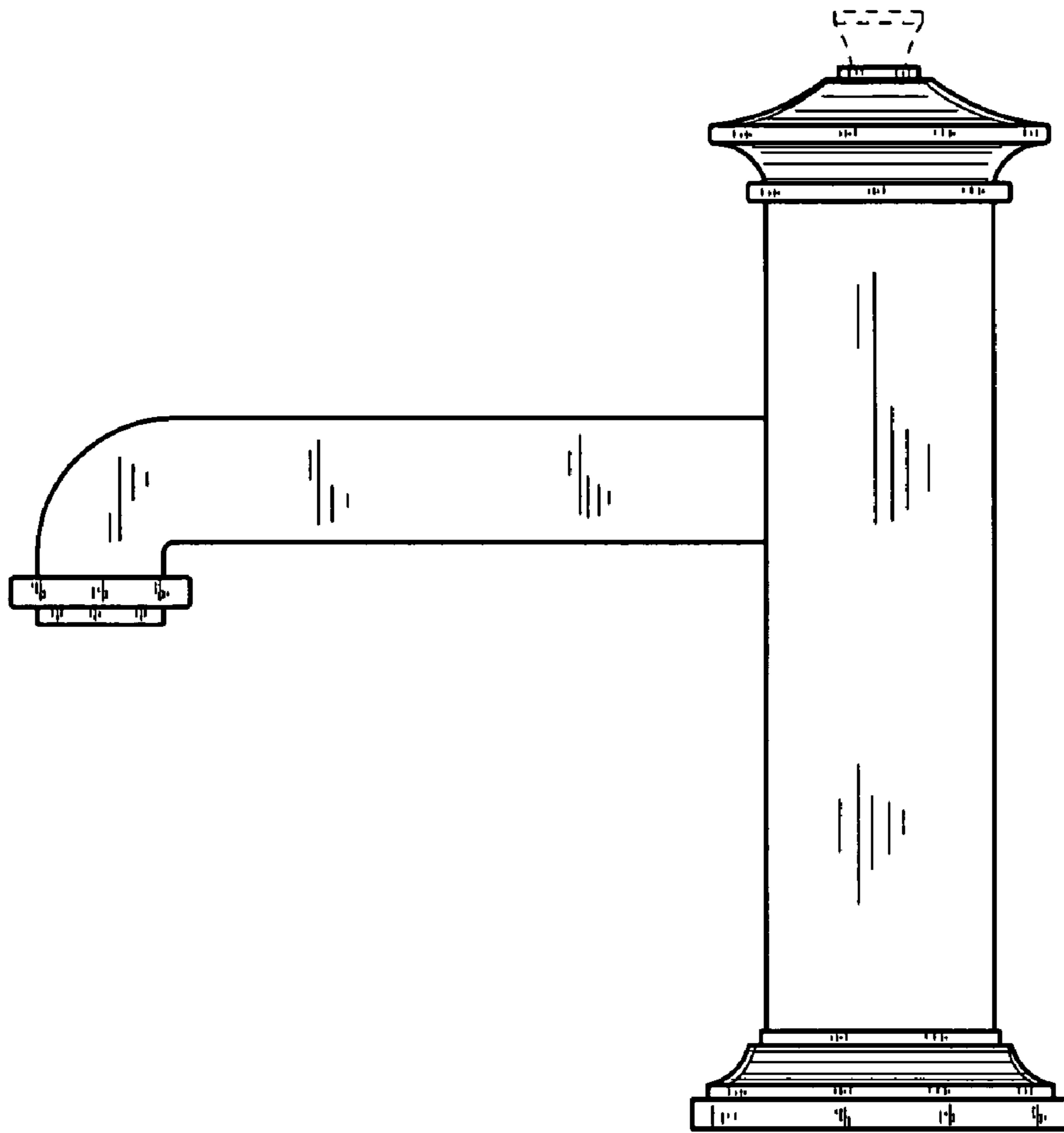


FIG. 3

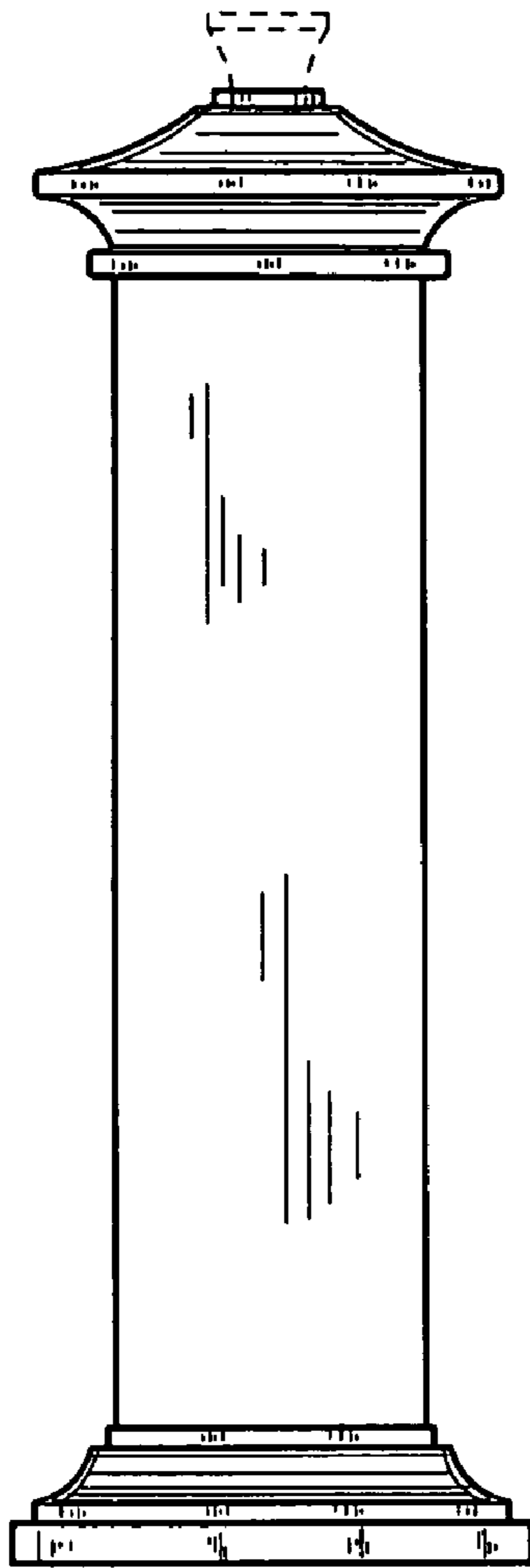


FIG. 4

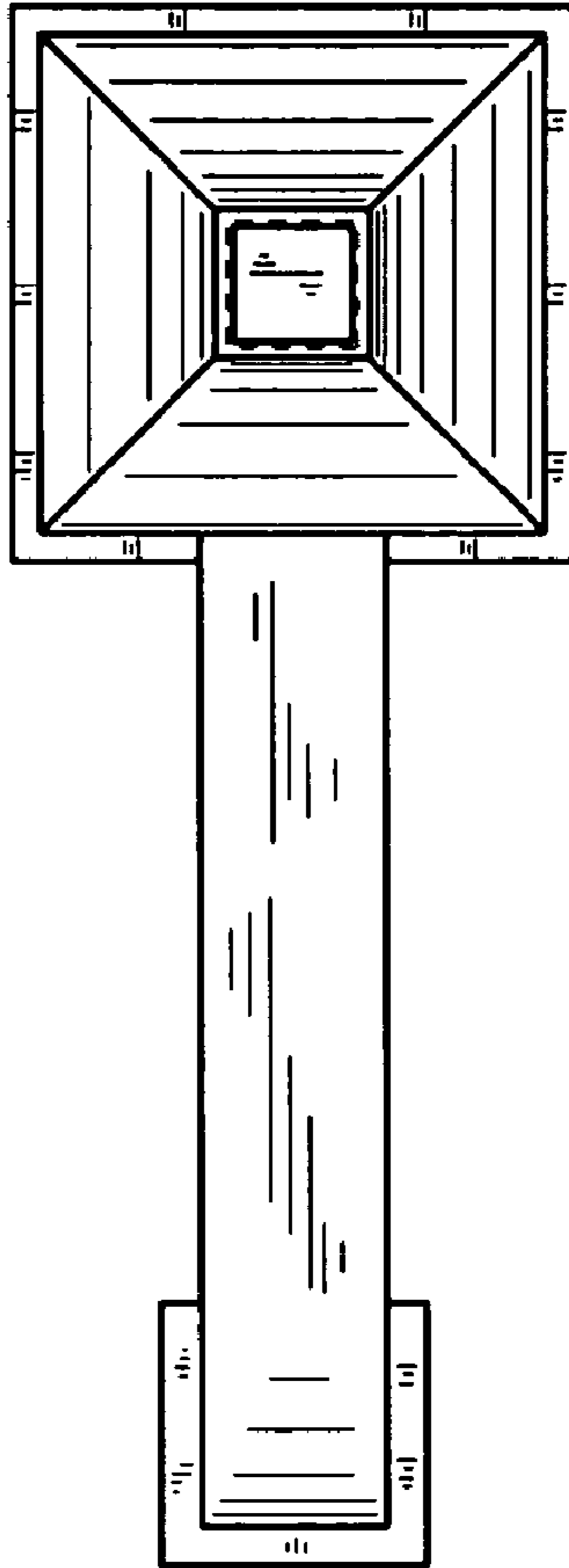


FIG. 5

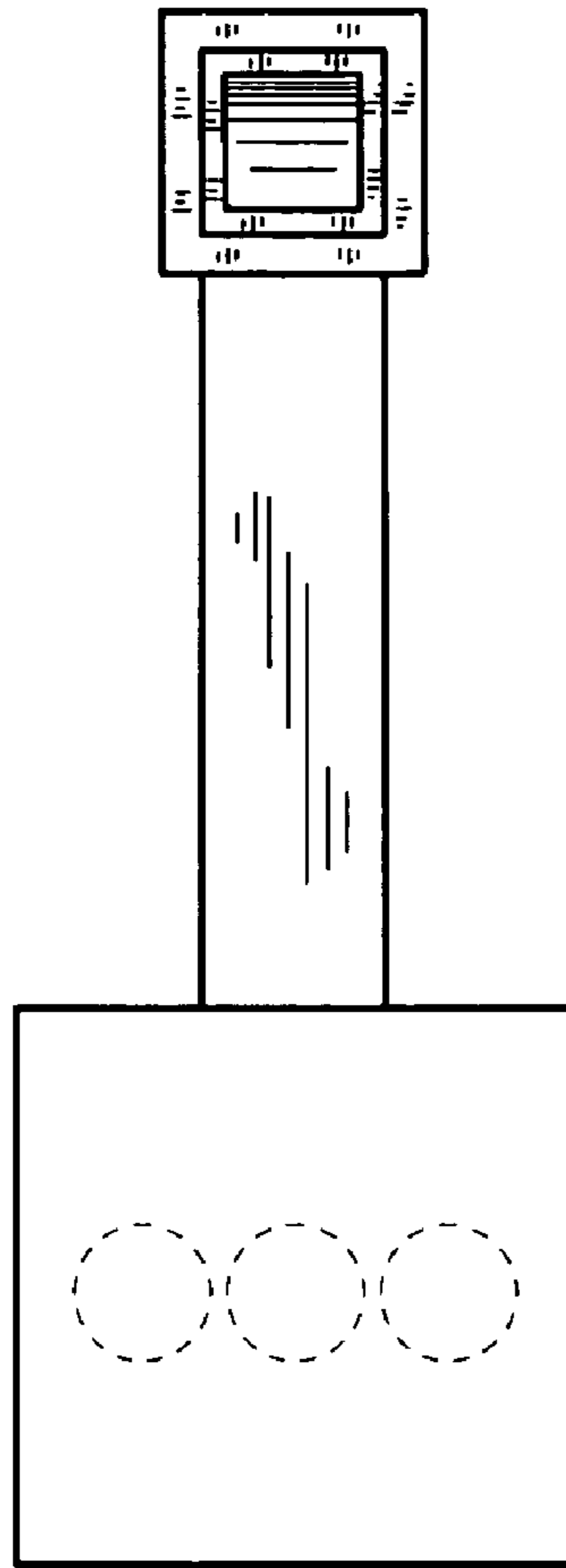


FIG. 6