



US00D566243S

(12) **United States Design Patent**  
**Kohler, Jr. et al.**

(10) **Patent No.:** **US D566,243 S**  
(45) **Date of Patent:** **\*\* Apr. 8, 2008**

(54) **SPOUT**

(75) Inventors: **Herbert V. Kohler, Jr.**, Kohler, WI (US); **Niels J. Eilmus**, Sheboygan, WI (US); **Howard M. Montgomery**, Sheboygan, WI (US); **Hsin-I C Tsai**, Sheboygan, WI (US)

(73) Assignee: **Kohler Co.**, Kohler, WI (US)

(\*\*) Term: **14 Years**

(21) Appl. No.: **29/250,451**

(22) Filed: **Nov. 15, 2006**

(51) **LOC (8) Cl.** ..... **23-01**

(52) **U.S. Cl.** ..... **D23/255**

(58) **Field of Classification Search** ..... D23/238-243, D23/250-257; 4/675-678; 137/801  
See application file for complete search history.

(56) **References Cited**

**U.S. PATENT DOCUMENTS**

D465,559 S	11/2002	Chen	
D524,912 S	7/2006	Chu	
D527,075 S	8/2006	Wood et al.	
D529,585 S	10/2006	Martinez	
D529,996 S	10/2006	Martinez	
D544,946 S *	6/2007	Lord et al.	..... D23/238

**OTHER PUBLICATIONS**

Kohler Co. "Lyntier Lavatory Faucet". Model No. L-10331-4.  
Kohler Co. online catalog. Copyright 2006 Kohler Co.

Kohler Co. "IV Georges Brass Bath Faucet Trim". Model No. KT6906-4. Fixture Universe online catalog. Copyright 1999-2005 Allied Trade Group.

Price Pfister. "Marielle roman Tub Faucet Trim". Model No. RT6-M. Fixture Universe online catalog. Copyright 1999-2005 Allied Trade Group.

\* cited by examiner

*Primary Examiner*—Robert A. Delehanty

(74) *Attorney, Agent, or Firm*—Quarles & Brady LLP

(57) **CLAIM**

The ornamental design for a spout, as shown and described.

**DESCRIPTION**

In a preferred embodiment, the nature of this product is a spout for a faucet.

FIG. 1 is a right, top, front perspective view of a spout according to our new design;

FIG. 2 is a right side elevational view thereof, the left side elevational view thereof being a mirror image of the right side shown;

FIG. 3 is a top plan view thereof;

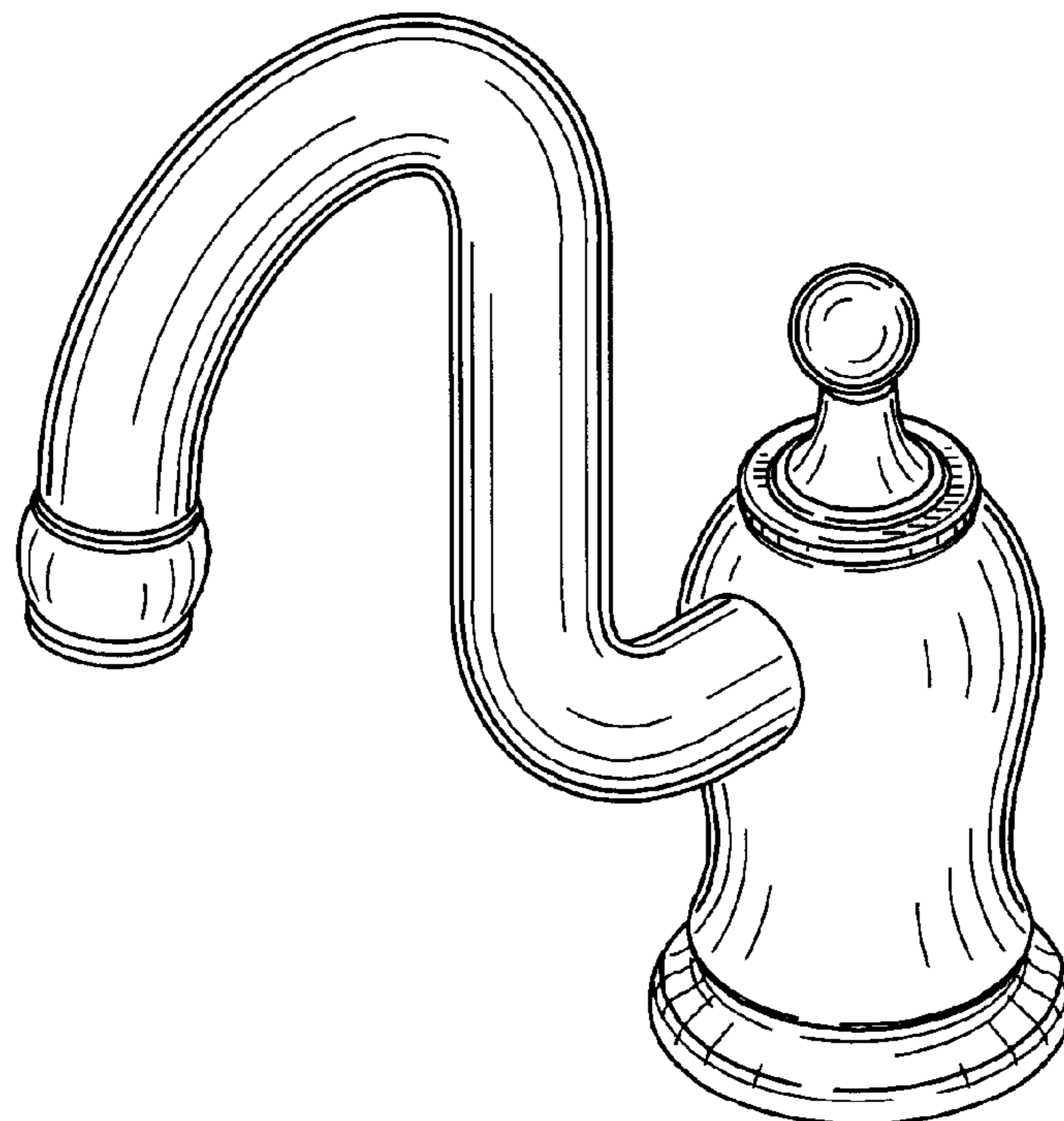
FIG. 4 is a front elevational view thereof;

FIG. 5 is a rear elevational view thereof; and,

FIG. 6 is a bottom plan view thereof.

The broken line representations of understructure in FIG. 6 are for the purpose of illustration only, and form no part of the claimed design.

**1 Claim, 3 Drawing Sheets**



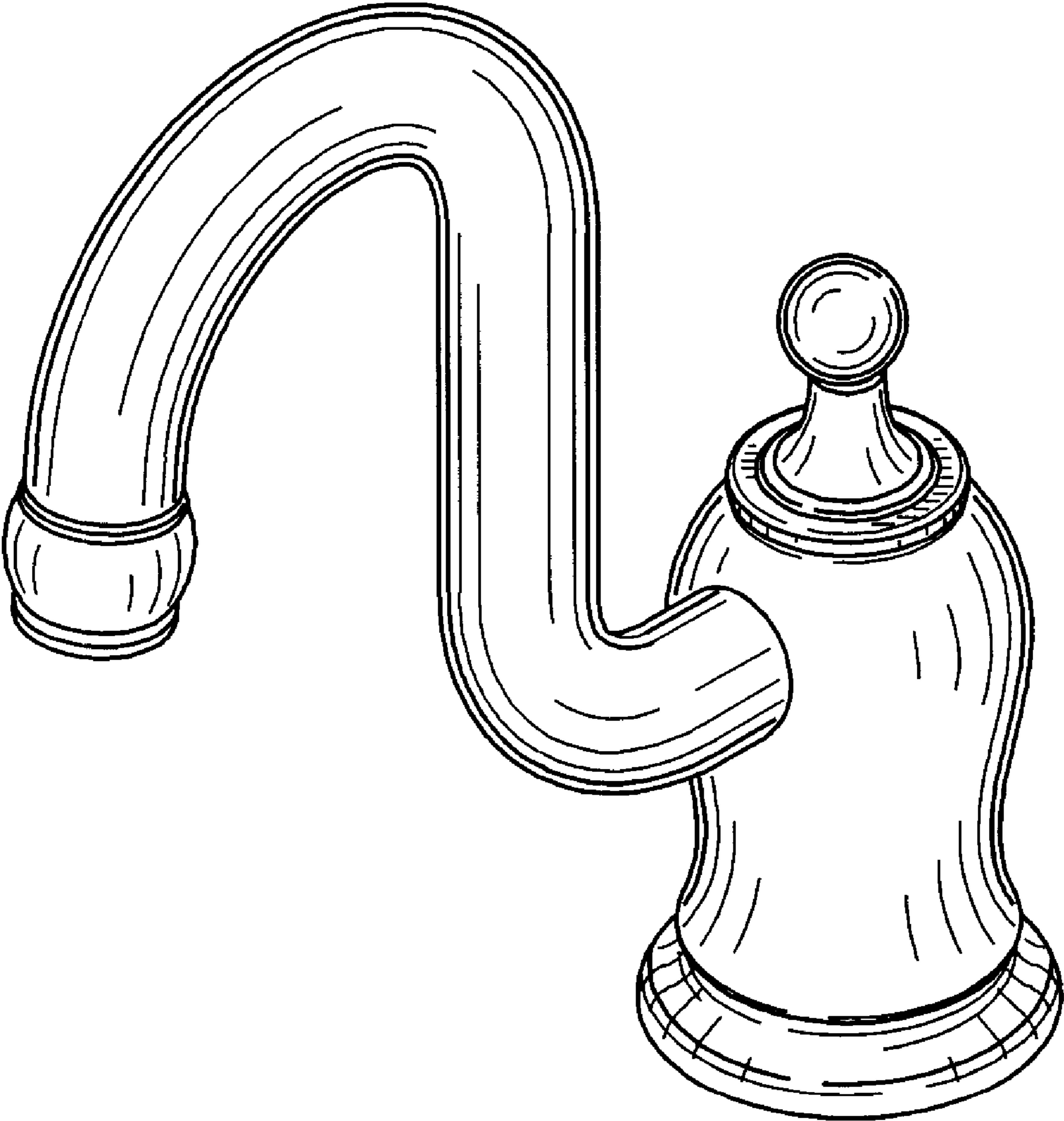


FIG. 1

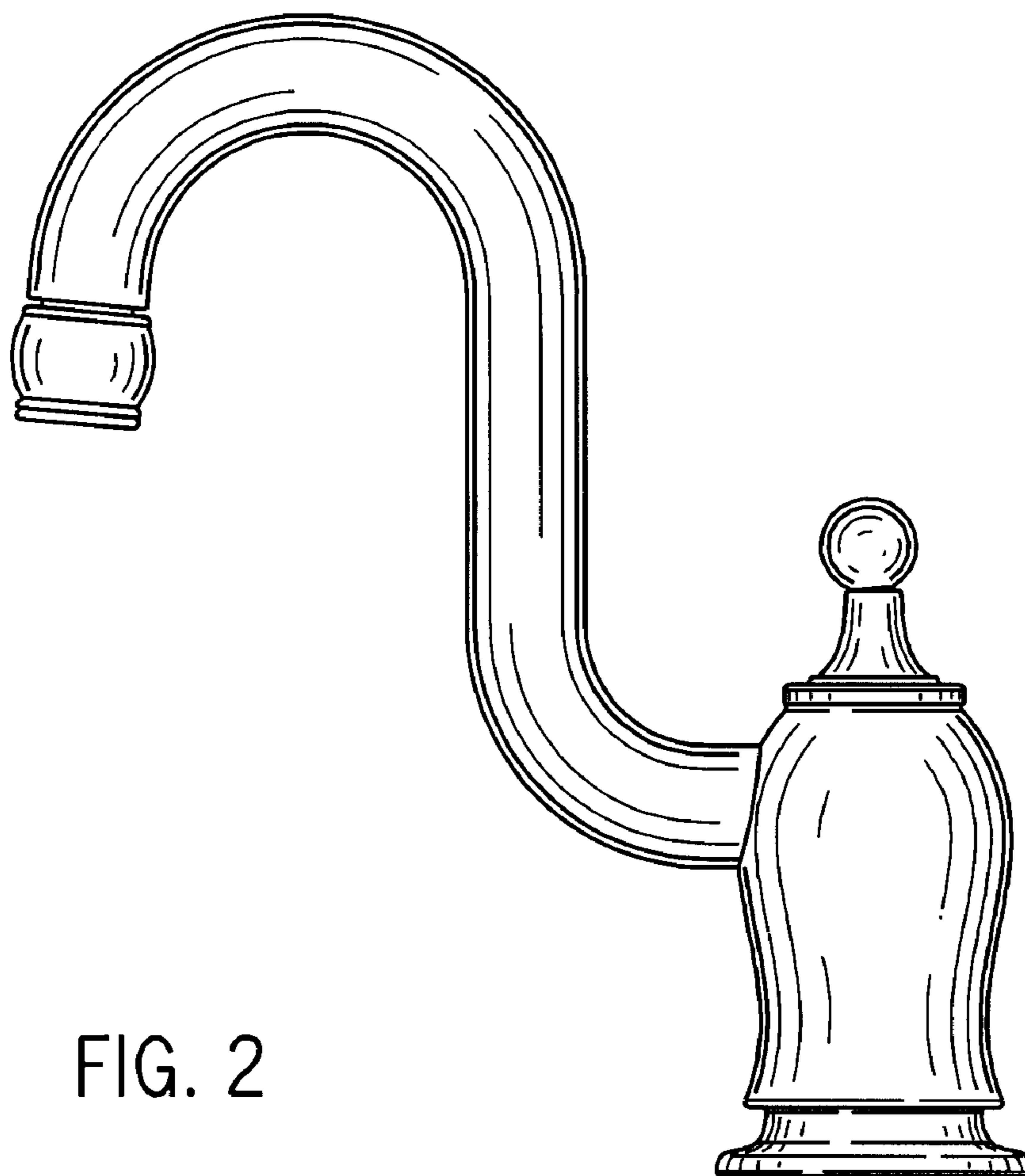


FIG. 2

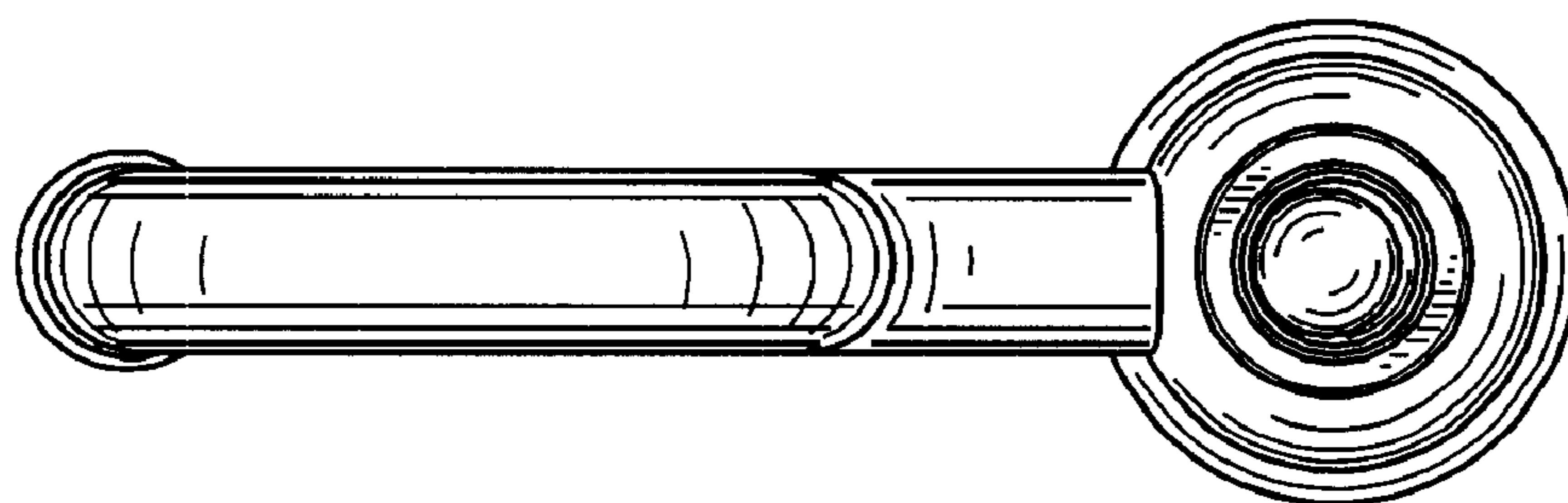


FIG. 3

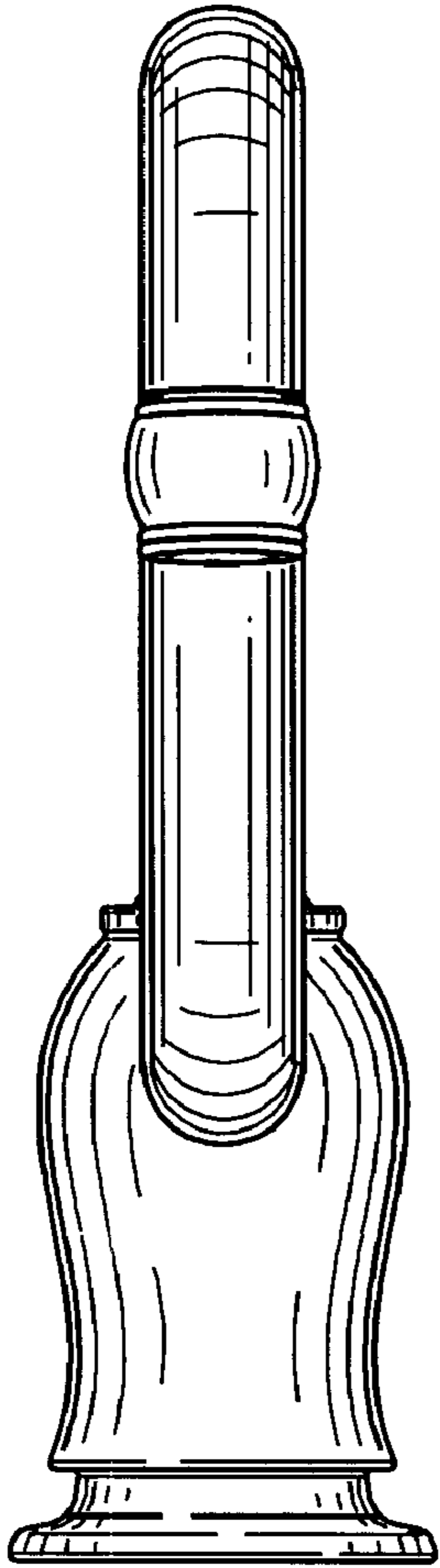


FIG. 4

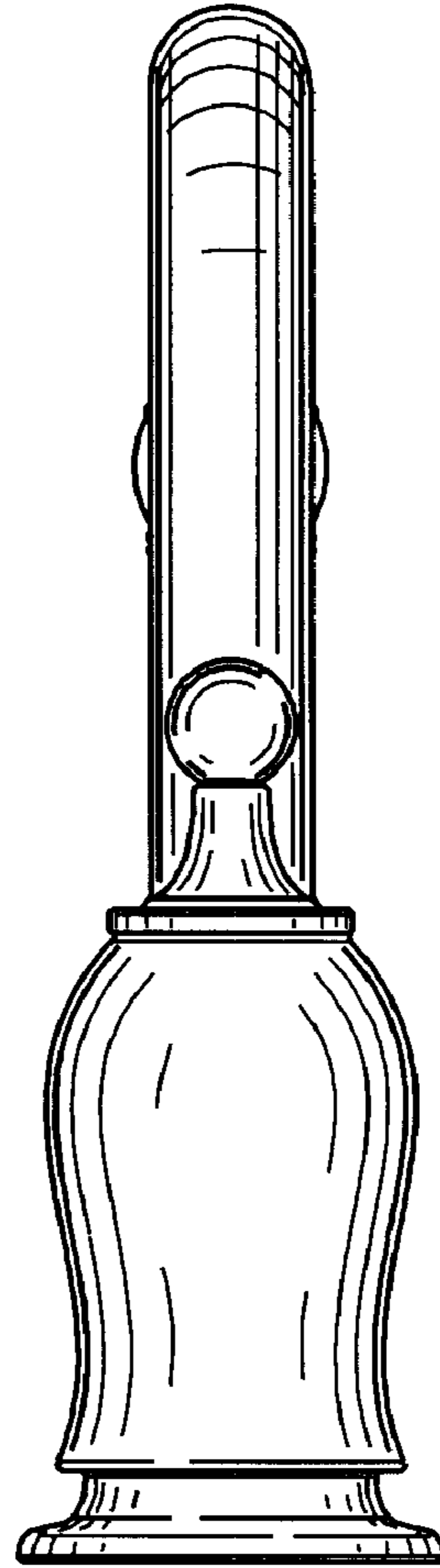


FIG. 5

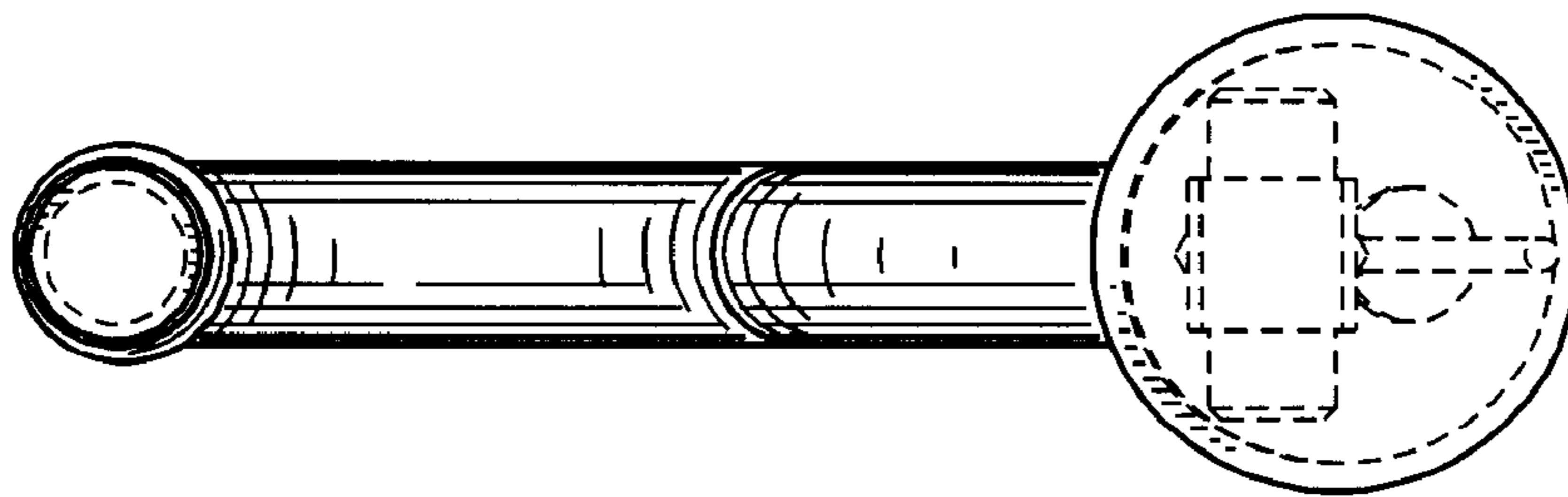


FIG. 6