



US00D566241S

(12) **United States Design Patent** (10) **Patent No.:** **US D566,241 S**
Barry (45) **Date of Patent:** **** Apr. 8, 2008**

(54) **HANDLE**
(75) Inventor: **Barbara Barry**, Los Angeles, CA (US)
(73) Assignee: **Kohler Co.**, Kohler, WI (US)
(**) Term: **14 Years**
(21) Appl. No.: **29/257,812**
(22) Filed: **Apr. 11, 2006**
(51) **LOC (8) Cl.** **23-01**
(52) **U.S. Cl.** **D23/250**
(58) **Field of Classification Search** D23/238-243,
D23/250-254; 4/675-678; 137/801, 454.5-454.6,
137/491; D6/550; D8/300, 307, 308, 310,
D8/311, 312, 321; 16/110.1, 441
See application file for complete search history.

(56) **References Cited**

U.S. PATENT DOCUMENTS

D76,827 S	11/1928	Smith	
D148,787 S	2/1948	Haldane	
D280,008 S	8/1985	Miller et al.	
D285,106 S	8/1986	Yost	
D303,075 S	8/1989	Mosch	
D305,724 S	1/1990	Mosch	
D325,772 S	4/1992	Carr	
D332,824 S	1/1993	Robbins	
D334,230 S	3/1993	Bonnell	
D381,400 S	7/1997	Doughty et al.	
D387,856 S	12/1997	Spangler	
D404,467 S	1/1999	Doughty et al.	
D433,103 S	* 10/2000	Spangler D23/250
D436,654 S	1/2001	Spangler	
D437,918 S	2/2001	Doughty et al.	
D439,954 S	4/2001	Spangler	
6,345,643 B1	2/2002	Ko	
D463,533 S	9/2002	Ko	
D515,670 S	2/2006	Ying-Hui et al.	

OTHER PUBLICATIONS

Kohler Co. "Forté widespread lavatory faucet with script lever handles". Model No. K-10272 4G. Online catalog.

Kohler Co., "Flair" lever handles. Kohler Co. catalog, p. 47, copyright 1993.
Porcher, "Domaine Widespread Faucet". American Standard online catalog.
Kallista Inc., "Barbara Barry Tuxedo Deck Bath Set Trip with Classic Handles". Kallista Inc. online catalog.
Kohler Co., "Finial Traditional Widespread Lavatory Faucet with Lever Handles". Kohler Co., online catalog.
Kohler Co., "Color Finishes". Kohler Co., online catalog.
Pending U.S. Appl. No. 29/229,511, filed May 9, 2005 for handles.
Pending U.S. Appl. No. 29/229,495, filed May 9, 2005 for handles.

* cited by examiner

Primary Examiner—Robert A. Delehanty
(74) *Attorney, Agent, or Firm*—Quarles & Brady LLP

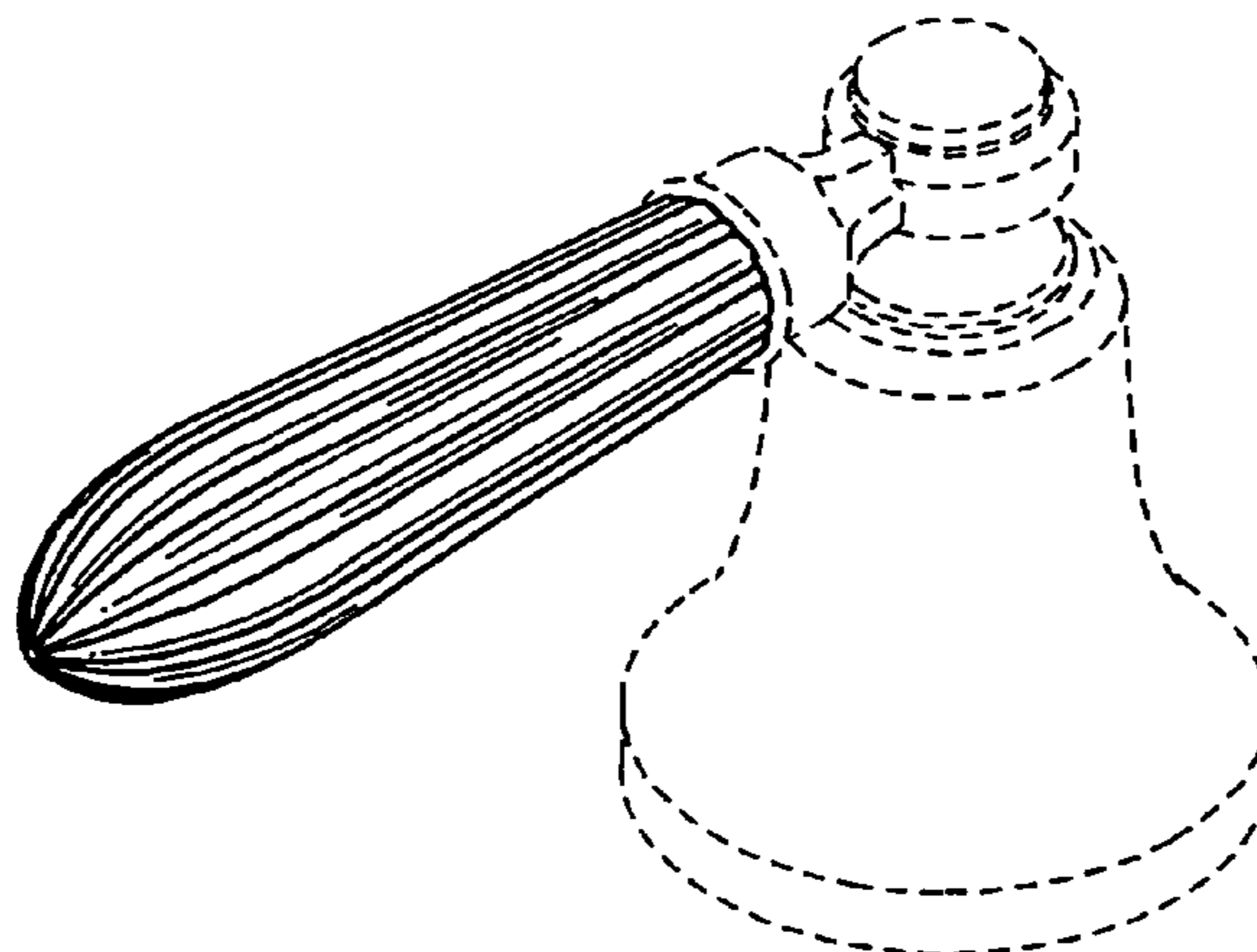
(57) **CLAIM**

The ornamental design for a handle, as shown and described.

DESCRIPTION

In a preferred embodiment, the nature of this product is a handle for a plumbing fixture such as a faucet.
FIG. 1 is a left, top, front perspective view of a handle according to our new design;
FIG. 2 is a front elevational view thereof, the rear elevational view thereof being a mirror image of the front view shown,
FIG. 3 is a top plan view thereof;
FIG. 4 is a left side elevational view thereof;
FIG. 5 is a right side elevational view thereof; and,
FIG. 6 is a bottom plan view thereof.
The broken line representations of handle mounting environment in FIGS. 1-4 and 6, are for the purpose of illustration only, and form no part of the claimed design.

1 Claim, 2 Drawing Sheets



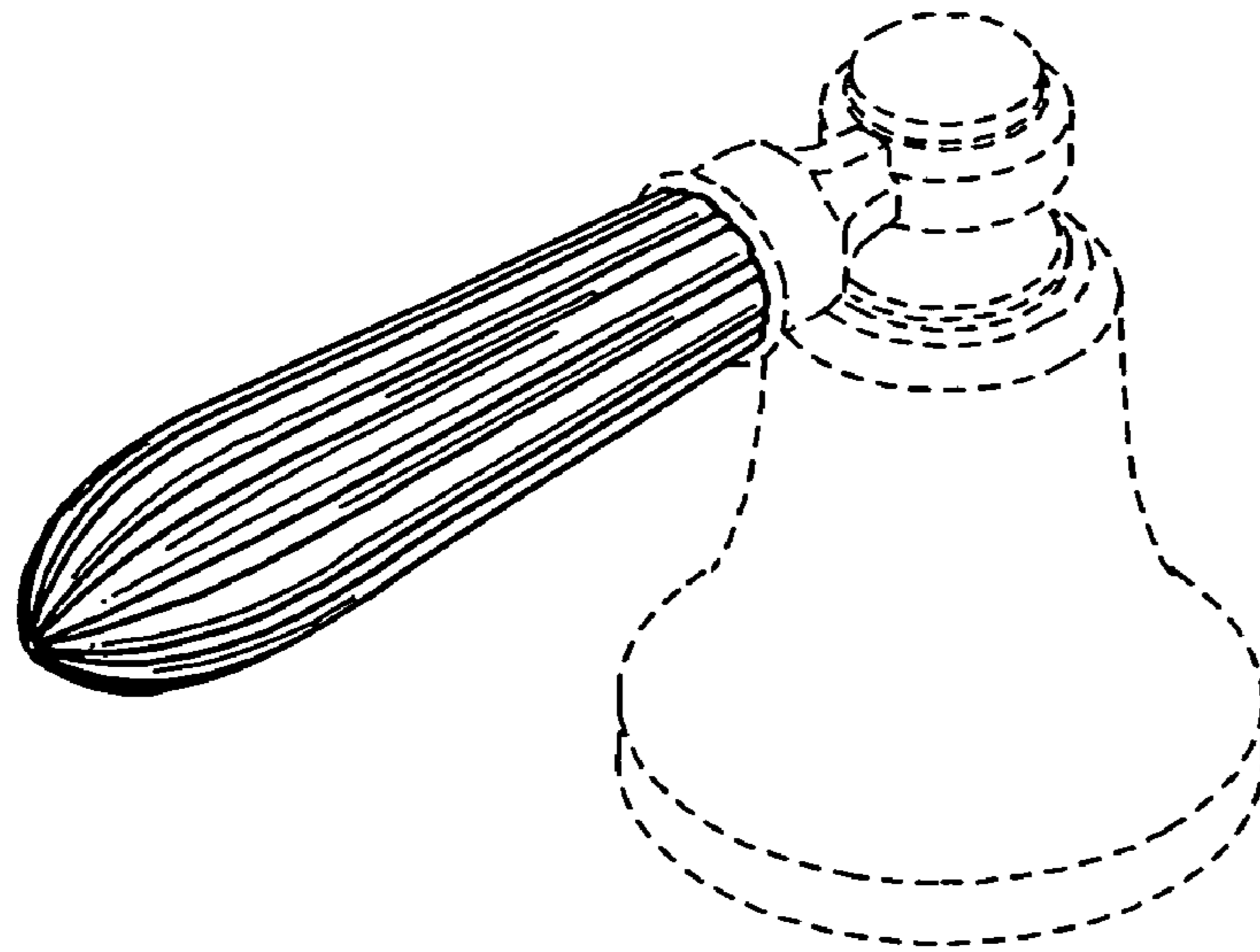


FIG. 1

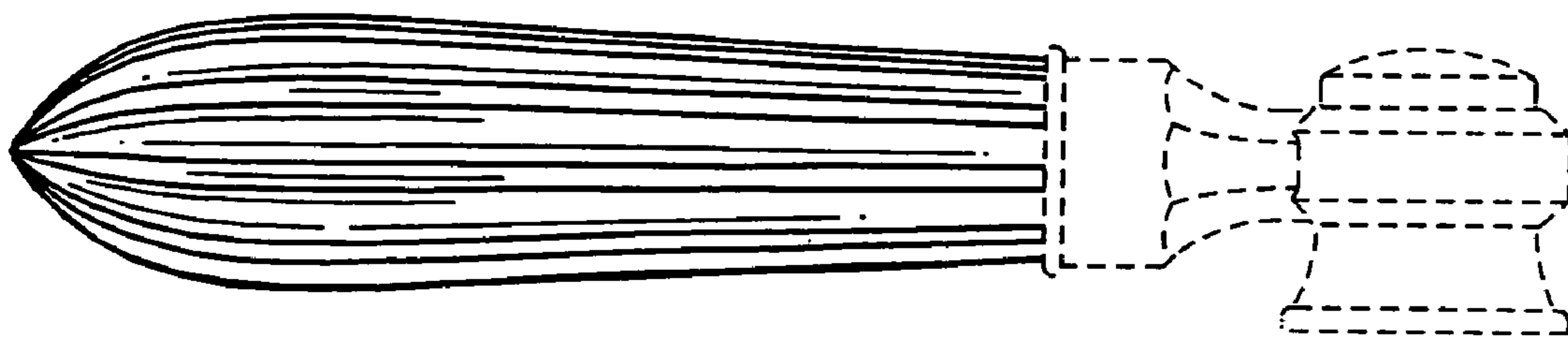


FIG. 2

FIG. 3

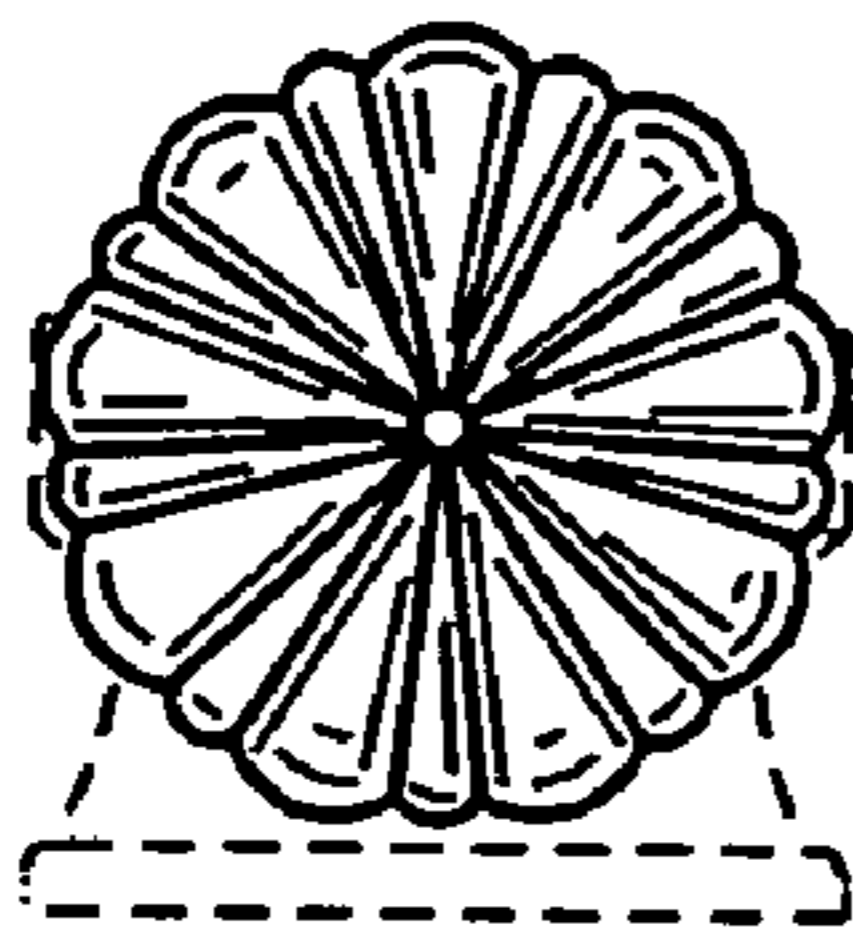
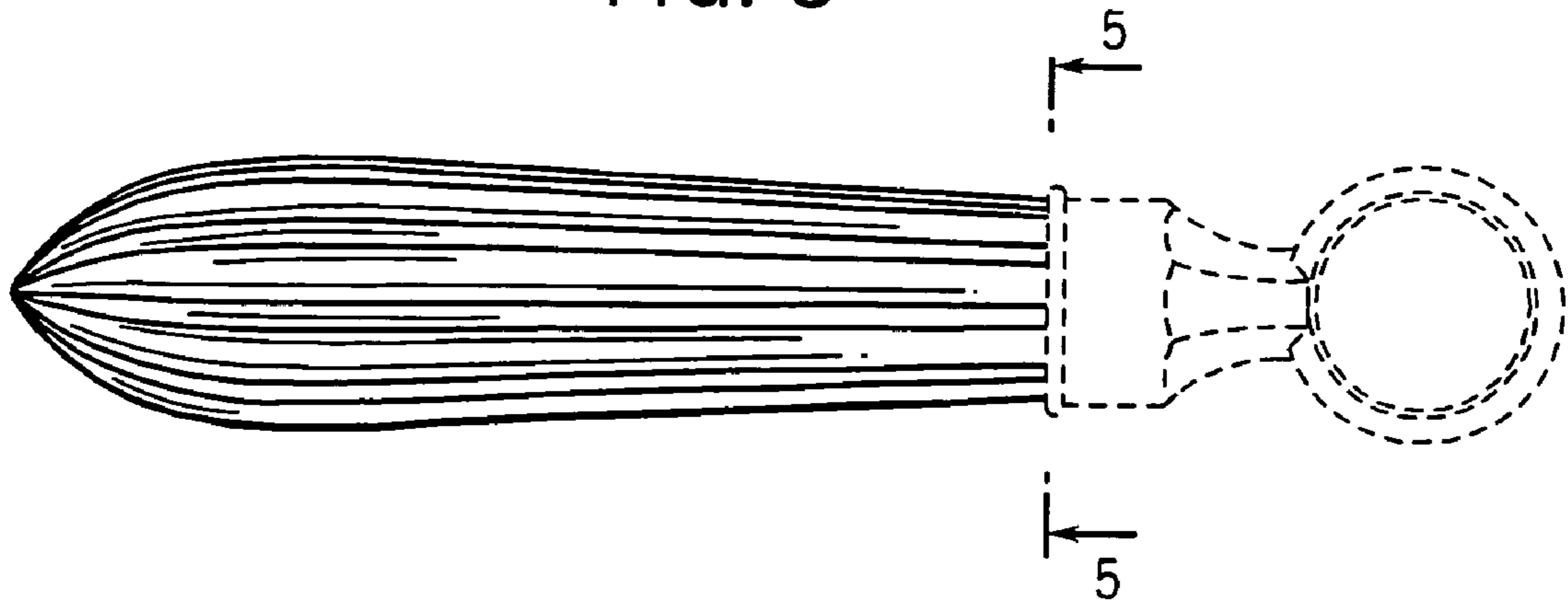


FIG. 4

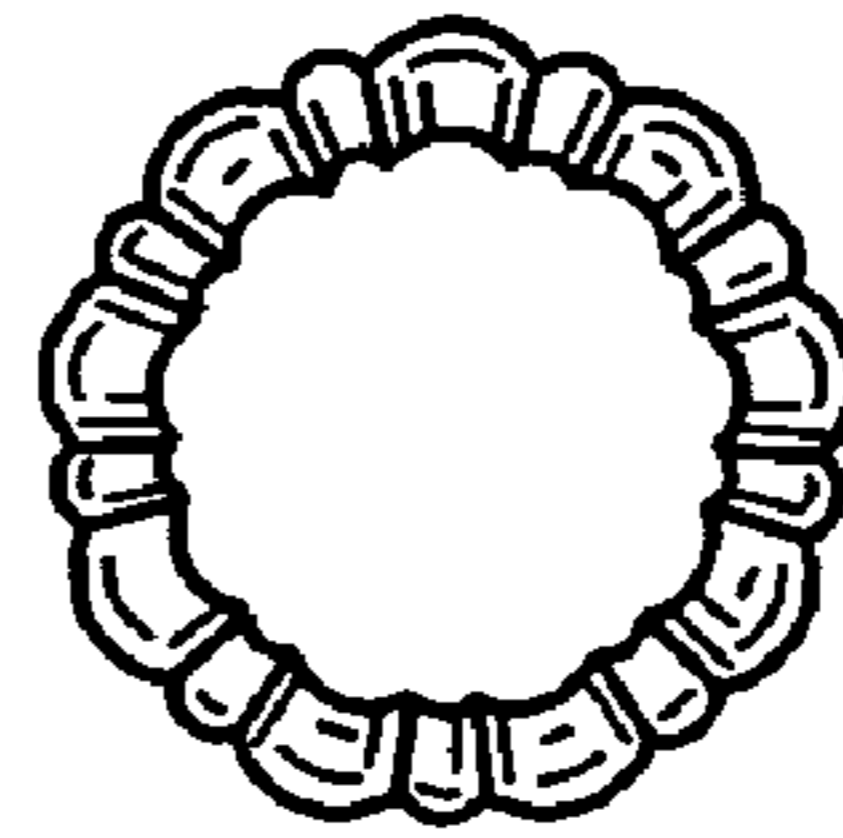


FIG. 5

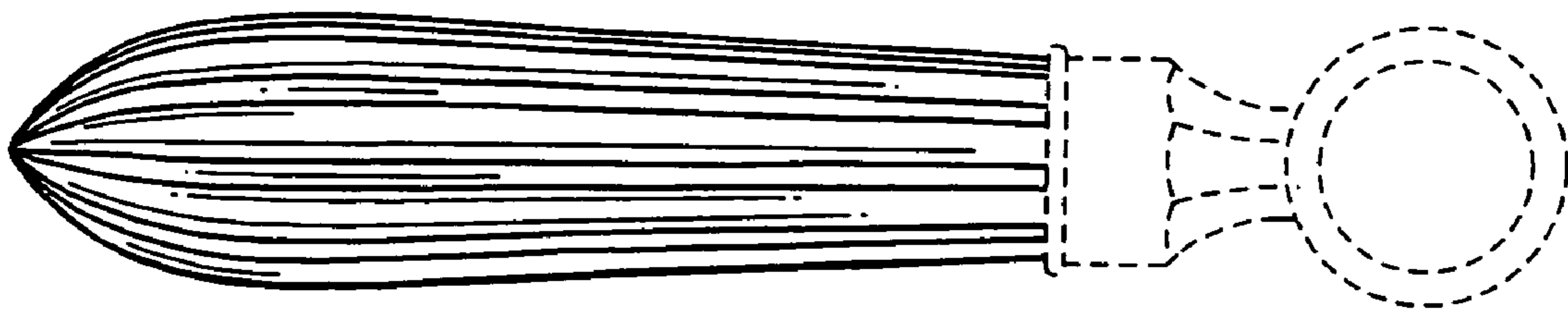


FIG. 6