



US00D566239S

(12) **United States Design Patent**  
**Hundley**

(10) **Patent No.:** **US D566,239 S**

(45) **Date of Patent:** **\*\* Apr. 8, 2008**

(54) **HANDLE**

(75) Inventor: **Jill E. Hundley**, Sheboygan, WI (US)

(73) Assignee: **Kohler Co.**, Kohler, WI (US)

(\*\*) Term: **14 Years**

(21) Appl. No.: **29/244,767**

(22) Filed: **Dec. 14, 2005**

**Related U.S. Application Data**

(62) Division of application No. 29/215,981, filed on Oct. 26, 2004, now Pat. No. Des. 531,267.

(51) **LOC (8) Cl.** ..... **23-01**

(52) **U.S. Cl.** ..... **D23/250**

(58) **Field of Classification Search** ..... D23/238–243,  
D23/250–257; 4/675–678; 137/801  
See application file for complete search history.

(56) **References Cited**

**U.S. PATENT DOCUMENTS**

D291,590 S	8/1987	Bengtsson	
D349,326 S	8/1994	Bollenbacher	
D406,877 S	3/1999	Esche et al.	
D417,490 S	12/1999	Formgren	
D420,430 S	2/2000	Lobermeier	
D461,875 S	8/2002	Gottwald	
D466,977 S	12/2002	Cummings	
D478,151 S	8/2003	Ouyoung	
D478,370 S	8/2003	Ouyoung	
D479,581 S	9/2003	Haug et al.	
D481,105 S	10/2003	Wettstein et al.	
D531,267 S	* 10/2006	Hundley	..... D23/238

**OTHER PUBLICATIONS**

No. 8—Bellosta Rubinetterie faucet “N-joy collection: Design Piet Billekens,” and “[http://www.dmd-europe.com/FR/Robinetterie/Bellosta/C\\_N-Joy.html](http://www.dmd-europe.com/FR/Robinetterie/Bellosta/C_N-Joy.html).”

Pegler Limited “Chromium Plated Brasswork” Jun. 1988 catalog, “Lever Handle Pillar Taps,” p. 4.

Dombracht “Meta Pur/Meta for Kids—Single-lever basin mixer”[http://www.dombracht.com/en/products/prod\\_dtl\\_zoom.htm?id=2269&cid=23&1fnr=19](http://www.dombracht.com/en/products/prod_dtl_zoom.htm?id=2269&cid=23&1fnr=19).

Kohler Company Apr. 1988 catalog, “Coralais Series—Lavatory Faucets,” p. 3.33c.

Kohler Company Jun. 2000 catalog, “Avatar Single-Handle Faucets” and “Antique Single-Handle Faucets,” p. 3.5.

Jado Corporation website, “New Haven Single Lever Lavatory Set” “<http://www.jadousa.com/printlisting.asp?prodKey=826001>.”

Grohe “Tenso” model, Model No. 32425, “Vessel Filler Bathroom Faucet” “<http://www.faucet.com/decor/product.pl?mid=5012>.”

Dombracht “Meta.02—Single-lever basin mixer with/without pop-up waste,” “[http://www.dombracht.com/en/products/prod\\_dtl\\_zoom.htm?id=2884&cid](http://www.dombracht.com/en/products/prod_dtl_zoom.htm?id=2884&cid).”

Hansgrohe “Terrano” model, Model No. 37001, “Single Hole Bathroom Faucet” “<http://www.faucet.com/decor/product.pl?mid=5331>.”

\* cited by examiner

*Primary Examiner*—Robert A. Delehanty

(74) *Attorney, Agent, or Firm*—Quarles & Brady LLP

(57) **CLAIM**

The ornamental design for a handle, as shown and described.

**DESCRIPTION**

In a preferred embodiment, the nature of this product is a control handle for a plumbing fitting, such as a faucet for washing human body parts.

FIG. 1 is a top, left, front perspective view of a handle according to my new design;

FIG. 2 is a left side elevational view thereof, the right side elevational view thereof being a mirror image of the left side shown;

FIG. 3 is a front elevational view thereof;

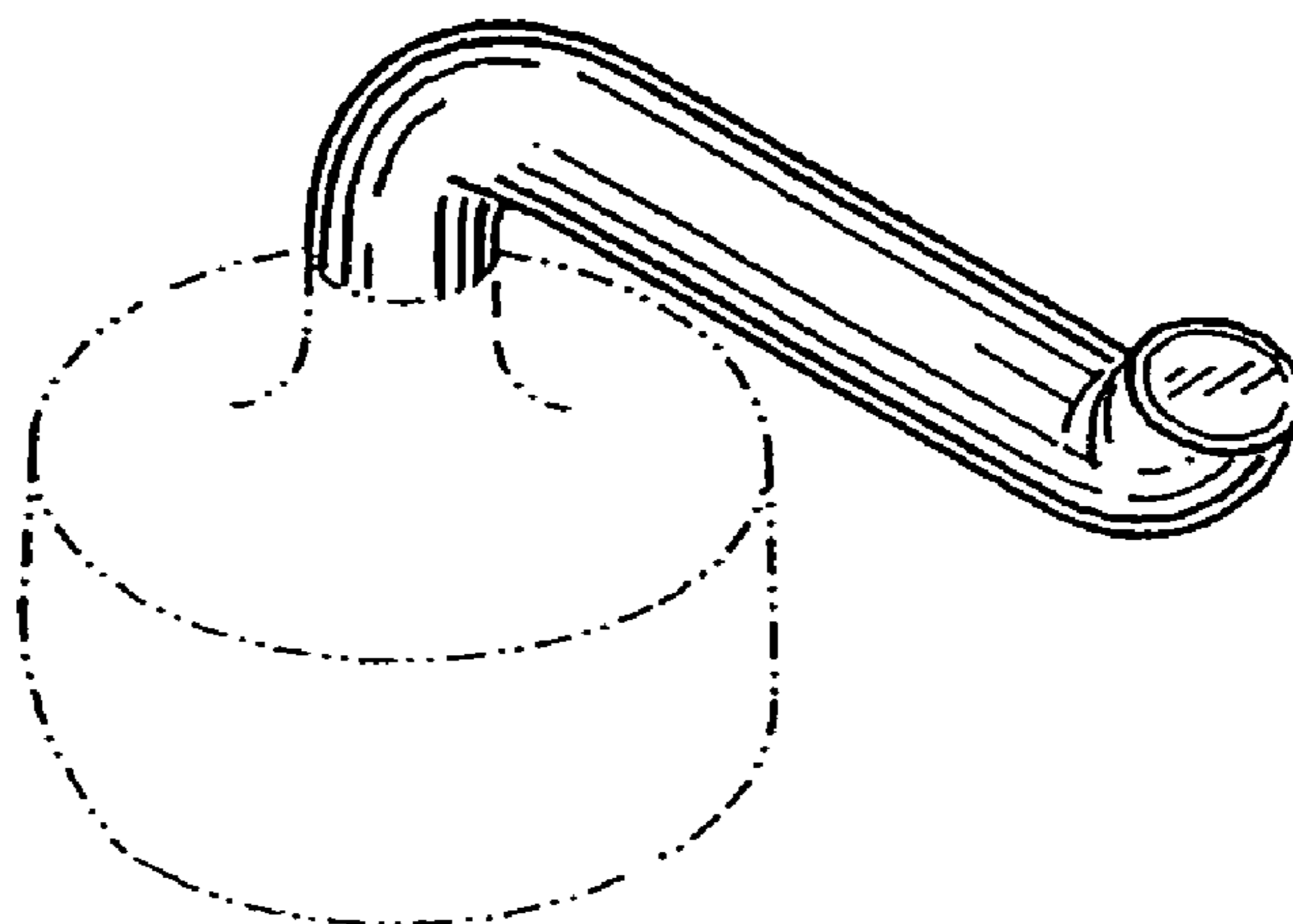
FIG. 4 is a rear elevational view thereof;

FIG. 5 is a top plan view thereof; and,

FIG. 6 is a bottom plan view thereof.

The broken line representations of handle base environment in FIGS. 1–5, are for the purpose of illustration only, and form no part of the claimed design.

**1 Claim, 1 Drawing Sheet**



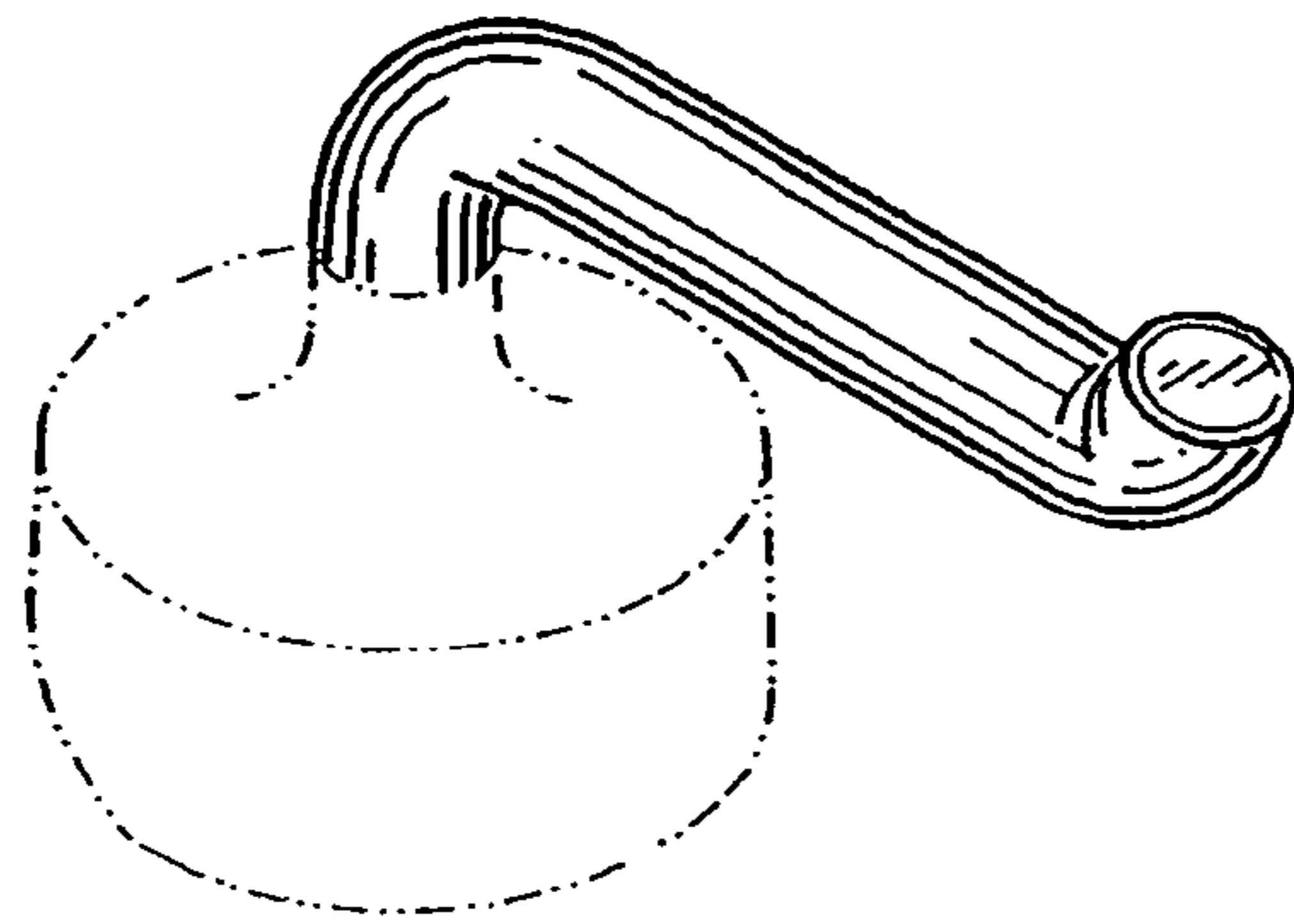


FIG. 1

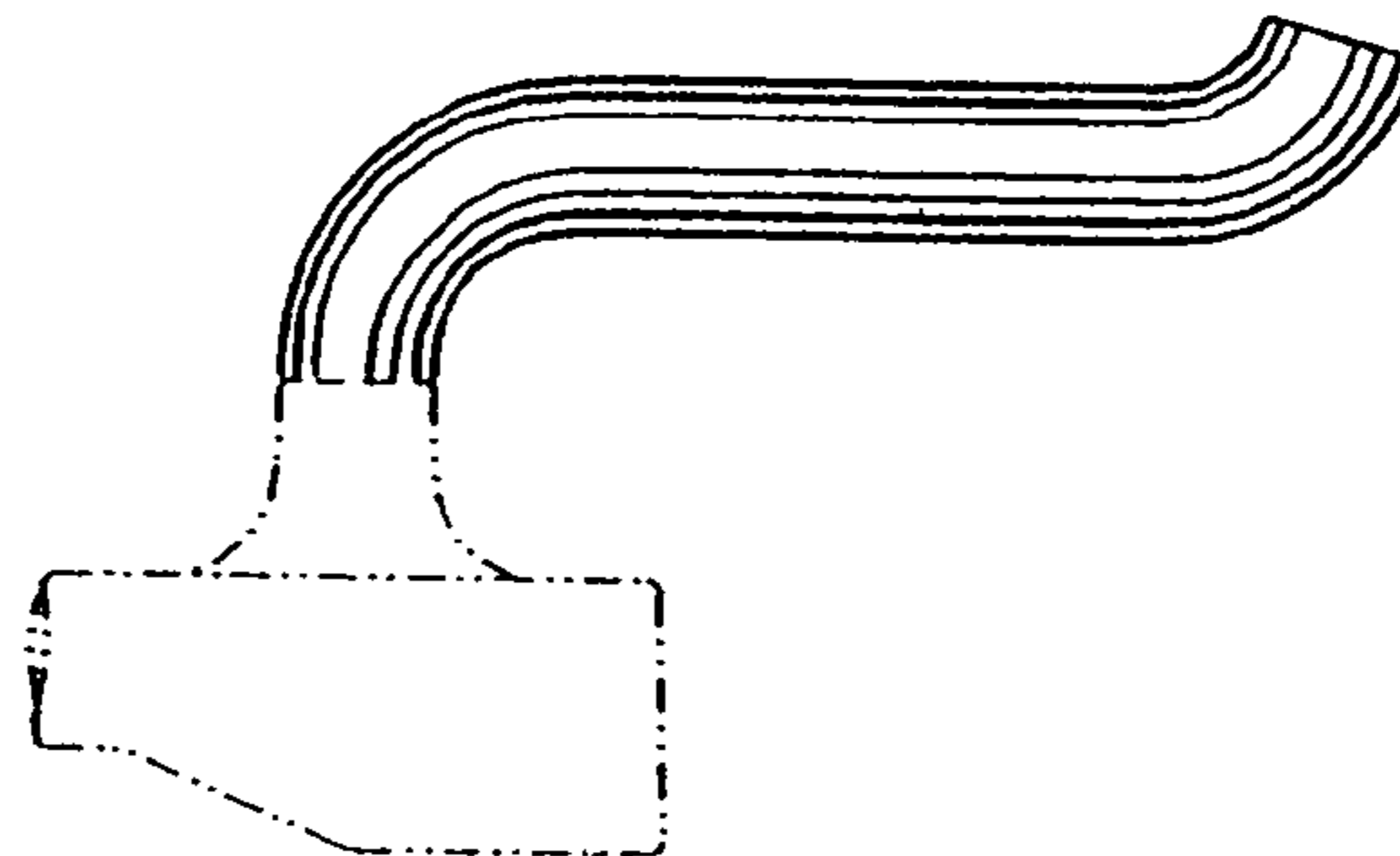


FIG. 2

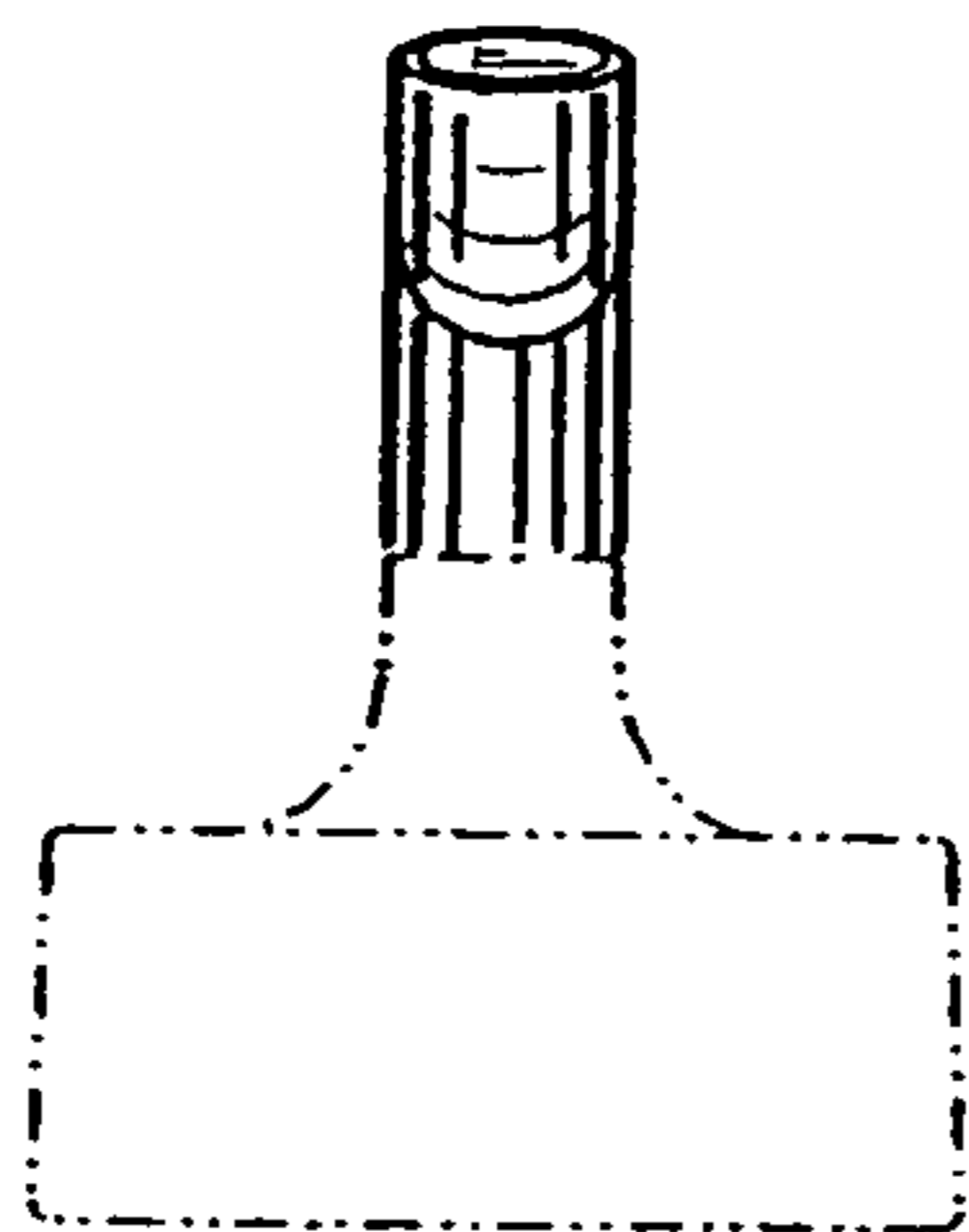


FIG. 3



FIG. 4

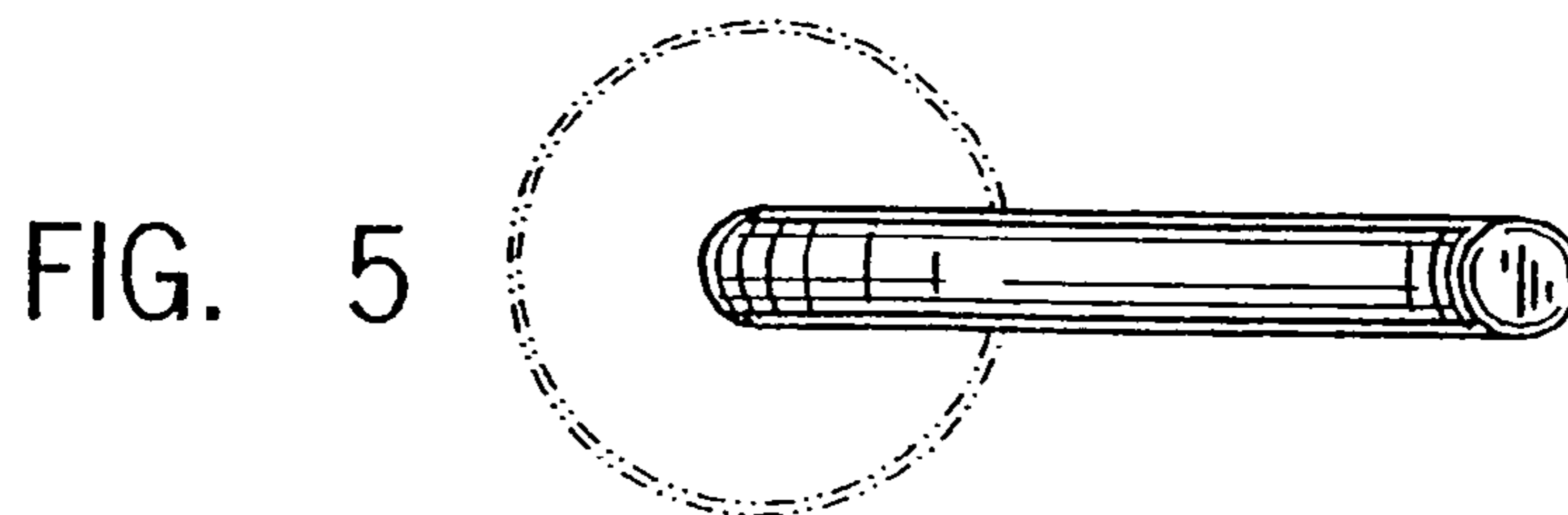


FIG. 5



FIG. 6

UNITED STATES PATENT AND TRADEMARK OFFICE  
**CERTIFICATE OF CORRECTION**

PATENT NO. : Des. 566,239 S  
APPLICATION NO. : 29/244767  
DATED : April 8, 2008  
INVENTOR(S) : Jill E. Hundley

Page 1 of 1

It is certified that error appears in the above-identified patent and that said Letters Patent is hereby corrected as shown below:

On the Title page item [56] of U.S. patent D566,239, under the section entitled "Related U.S. Application Data", the application No. should read --29/215,891--, delete [29/215,981].

Signed and Sealed this

Twenty-ninth Day of July, 2008

A handwritten signature in black ink that reads "Jon W. Dudas". The signature is written in a cursive style with a large, stylized initial "J".

JON W. DUDAS

*Director of the United States Patent and Trademark Office*