



US00D566238S

(12) **United States Design Patent**
Lammel et al.

(10) **Patent No.:** **US D566,238 S**
(45) **Date of Patent:** **** Apr. 8, 2008**

(54) **FAUCET**

D538,402 S 3/2007 Lammel et al.
D539,870 S * 4/2007 Lammel et al. D23/238

(75) Inventors: **Michael Lammel**, Aachen (DE);
Michael Zeisel, Aachen (DE)

(73) Assignee: **KWC AG**, Unterkulm (CH)

(**) Term: **14 Years**

(21) Appl. No.: **29/276,813**

(22) Filed: **Feb. 6, 2007**

Related U.S. Application Data

(62) Division of application No. 29/234,422, filed on Jul. 19, 2005, now Pat. No. Des. 539,870.

(30) **Foreign Application Priority Data**

Jan. 19, 2005 (CH) 131.392

(51) **LOC (8) Cl.** **23-01**

(52) **U.S. Cl.** **D23/239**

(58) **Field of Classification Search** D23/238-243,
D23/250-257; 4/675-678; 137/801
See application file for complete search history.

(56) **References Cited**

U.S. PATENT DOCUMENTS

D487,798 S 3/2004 Bayer
D526,389 S 8/2006 Lammel et al.
D528,635 S 9/2006 Lammel et al.

OTHER PUBLICATIONS

U.S. Appl. No. 29/253,832, filed Feb. 14, 2006, Lammel, et al.
U.S. Appl. No. 29/259,023, filed May 2, 2006, Lammel, et al.
U.S. Appl. No. 29/276,813, filed Feb. 6, 2007, Lammel, et al.

* cited by examiner

Primary Examiner—Robert A. Delehanty

(74) *Attorney, Agent, or Firm*—Oblon, Spivak, McClelland,
Maier & Neustadt, P.C.

(57) **CLAIM**

The ornamental design for a faucet, as shown and described.

DESCRIPTION

FIG. 1 is a top, front and right side perspective view of a first embodiment of the faucet;

FIG. 2 is a top, rear and left side perspective view thereof;

FIG. 3 is a right side elevational view thereof,

FIG. 4 is a top plan view thereof;

FIG. 5 is a top, front, and right side perspective view of a second embodiment of the faucet;

FIG. 6 is a top, rear and left side perspective view thereof,

FIG. 7 is a right side elevational view thereof; and,

FIG. 8 is a top plan view thereof.

1 Claim, 8 Drawing Sheets





FIG. 1



FIG. 2



FIG. 3

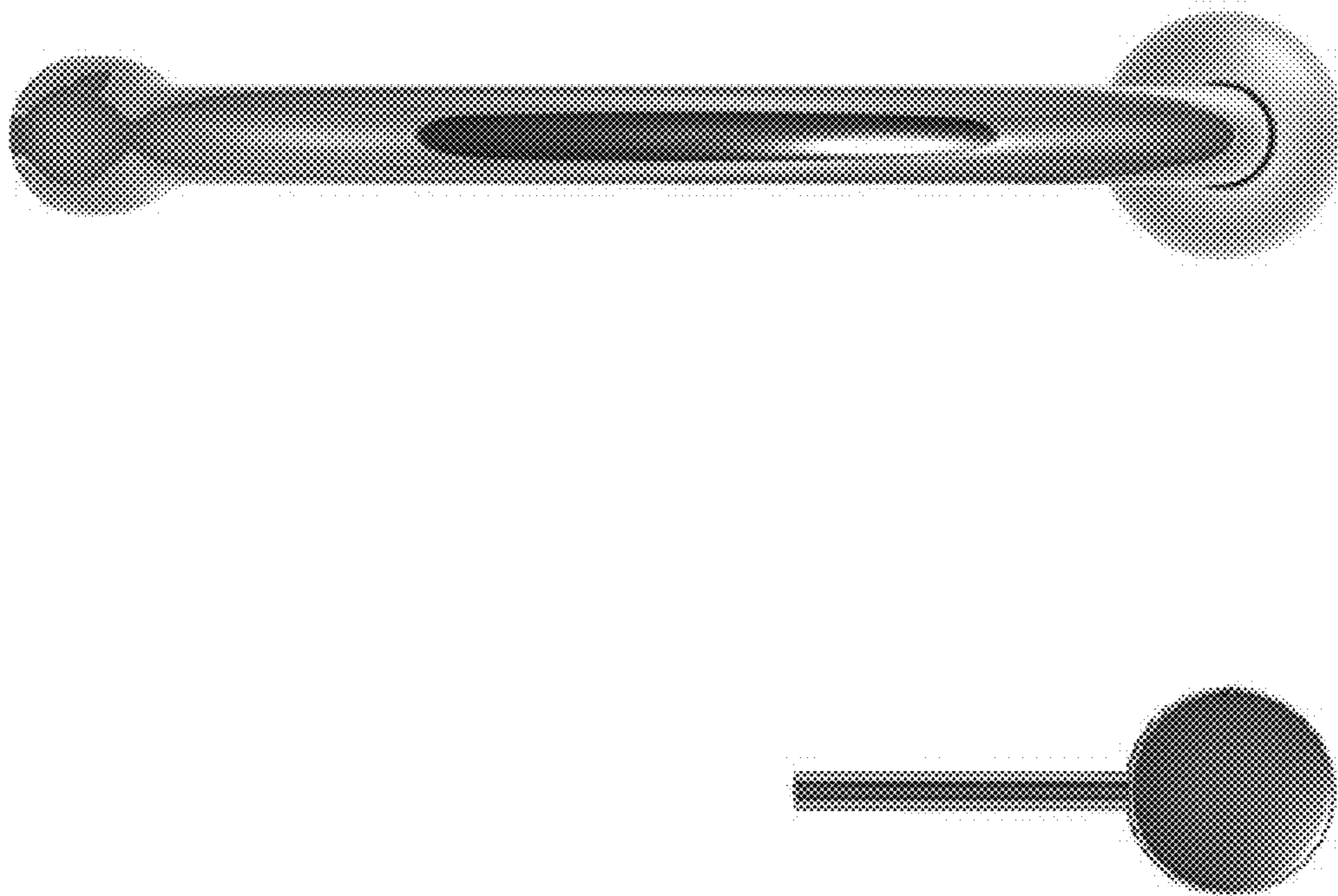


FIG. 4



FIG. 5



FIG. 6



FIG. 7

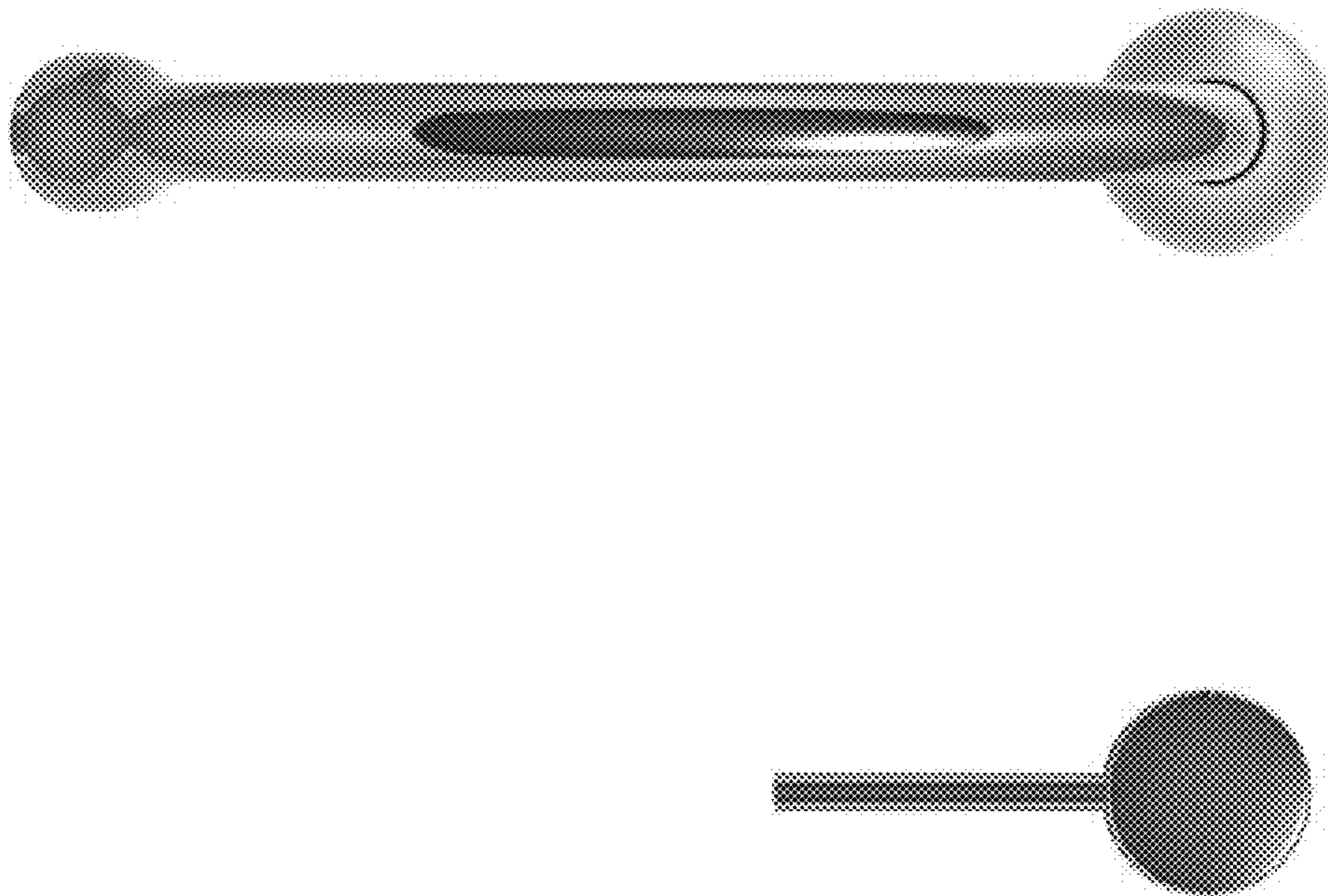


FIG. 8