



US00D566237S

(12) **United States Design Patent**
Yang

(10) **Patent No.:** **US D566,237 S**

(45) **Date of Patent:** **** Apr. 8, 2008**

(54) **FAUCET**

D533,630 S * 12/2006 Zetsche D23/238
D534,619 S * 1/2007 Garner D23/238

(76) Inventor: **Weijin Yang**, No. 3, Lane 2, Luobei Village Power Station, Luo Village Luocun Street, Nanhai District, Foshan City, Guangdong Province (CN)

* cited by examiner

Primary Examiner—Robert M. Spear
Assistant Examiner—Anna K Dworzecka
(74) *Attorney, Agent, or Firm*—Norris McLaughlin & Marcus PA

(**) Term: **14 Years**

(21) Appl. No.: **29/275,042**

(57) **CLAIM**

(22) Filed: **Dec. 11, 2006**

The ornamental design for a faucet, is as shown and described.

(30) **Foreign Application Priority Data**

DESCRIPTION

Jun. 12, 2006 (CN) 2006 3 0063648

(51) **LOC (8) Cl.** **23-02**

FIG. 1 is a front view of the present faucet;
FIG. 2 is a back view of the faucet of FIG. 1;
FIG. 3 is a left view of the faucet of FIG. 1;
FIG. 4 is a perspective view of the faucet of FIG. 1 from top;
FIG. 5 is a perspective view of the faucet of FIG. 1 from bottom;
FIG. 6 is a perspective view of the faucet of FIG. 1; and,
FIG. 7 is a perspective view of an alternate position of use state of the faucet of FIG. 1.

(52) **U.S. Cl.** **D23/238**

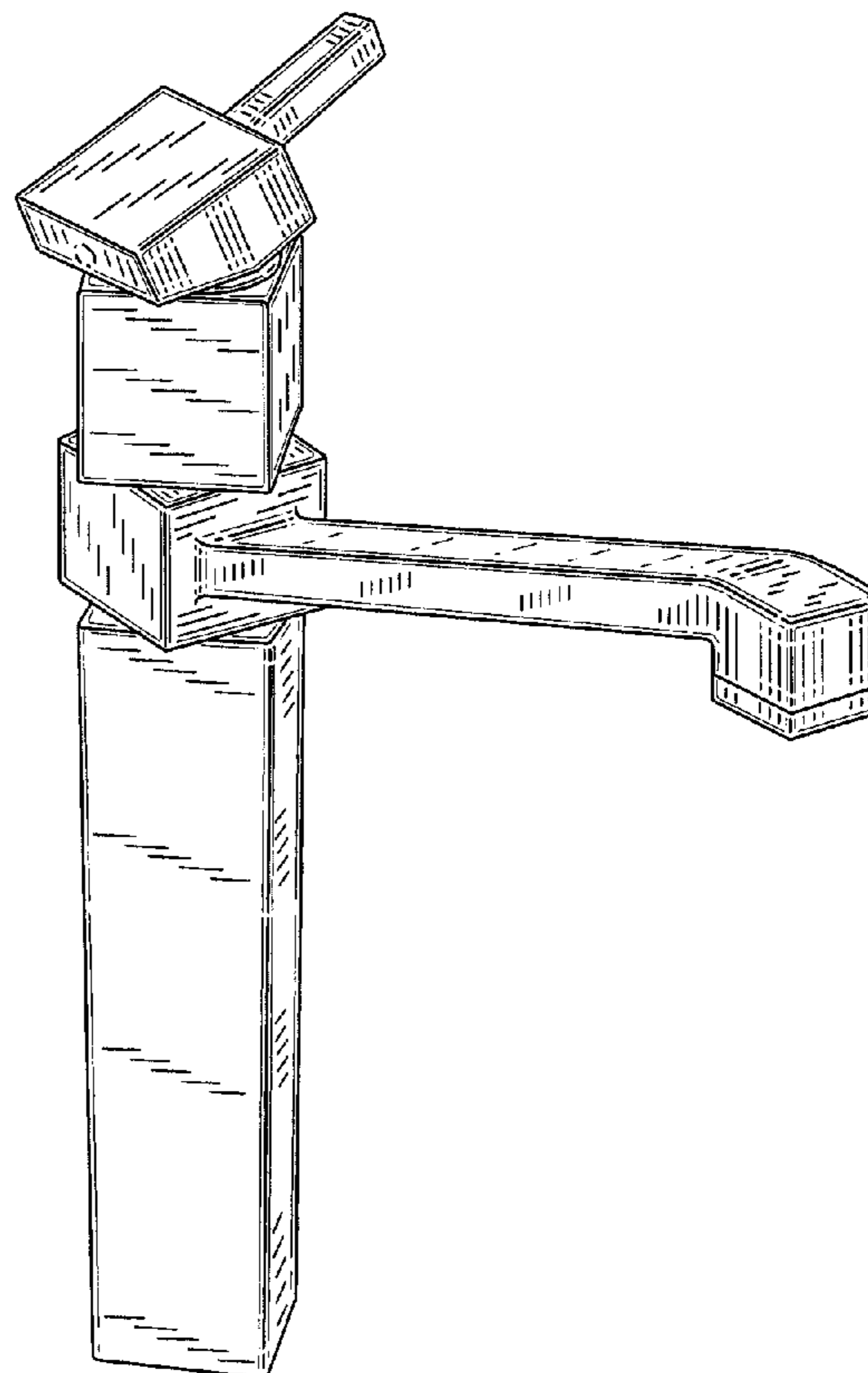
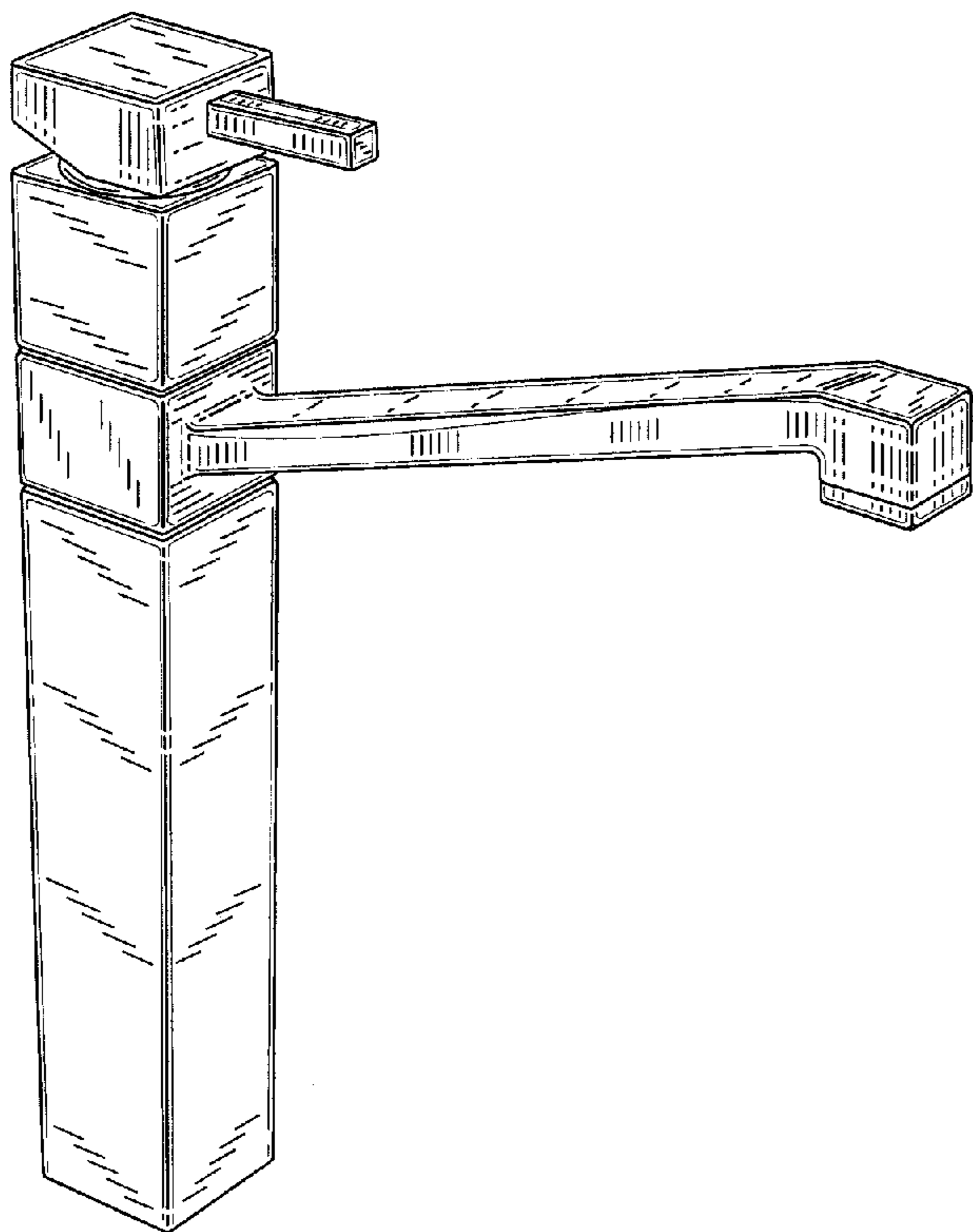
(58) **Field of Classification Search** D23/238-257;
4/675-678; 137/801
See application file for complete search history.

(56) **References Cited**

U.S. PATENT DOCUMENTS

D478,966 S * 8/2003 Citterio D23/238
D489,432 S * 5/2004 Lammel et al. D23/238
D517,651 S * 3/2006 Theberge D23/238
D518,153 S * 3/2006 Theberge D23/255

1 Claim, 5 Drawing Sheets



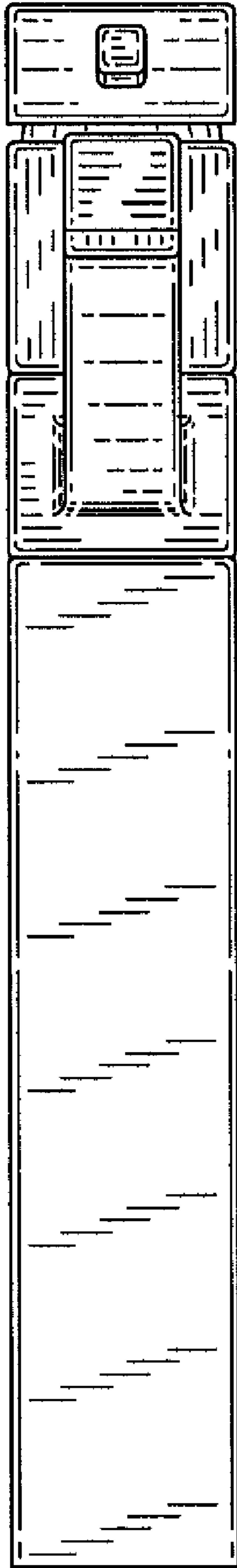


FIG. 1

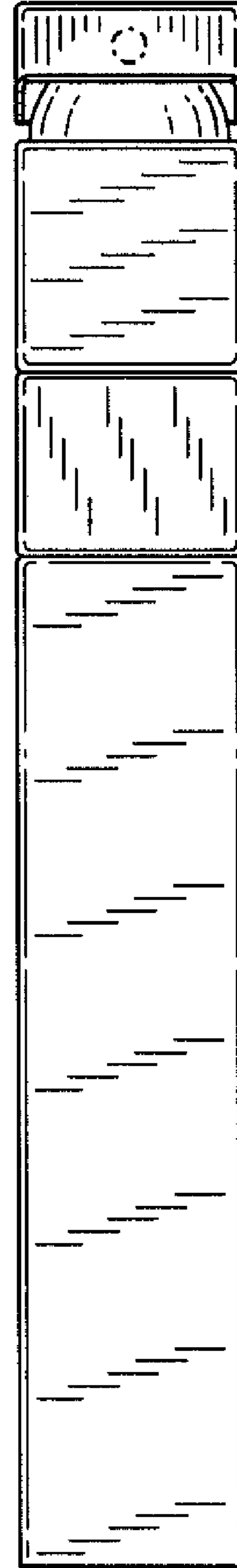


FIG. 2

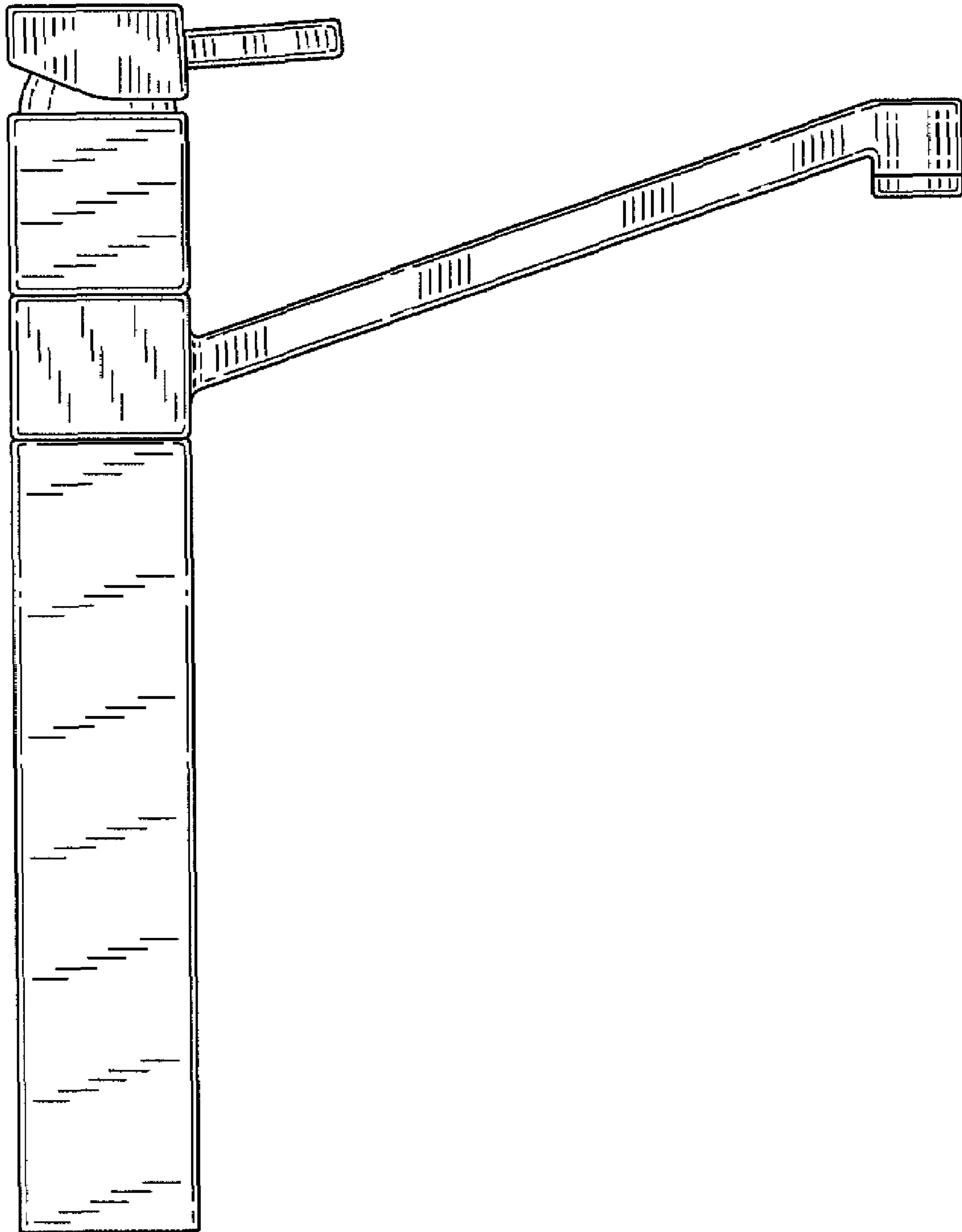


FIG. 3

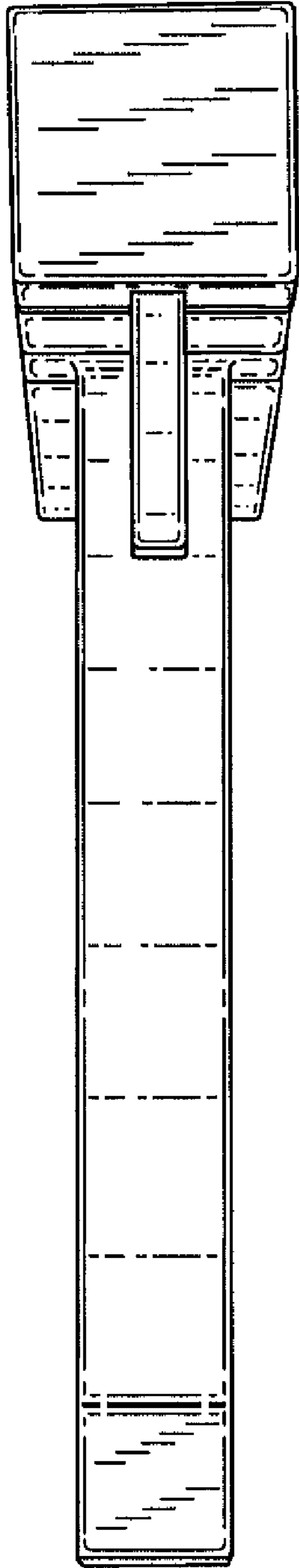


FIG. 4

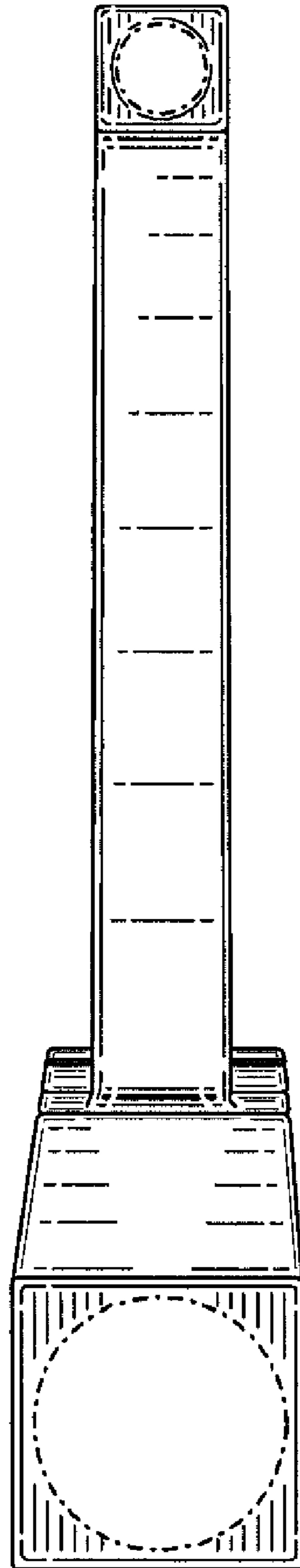


FIG. 5

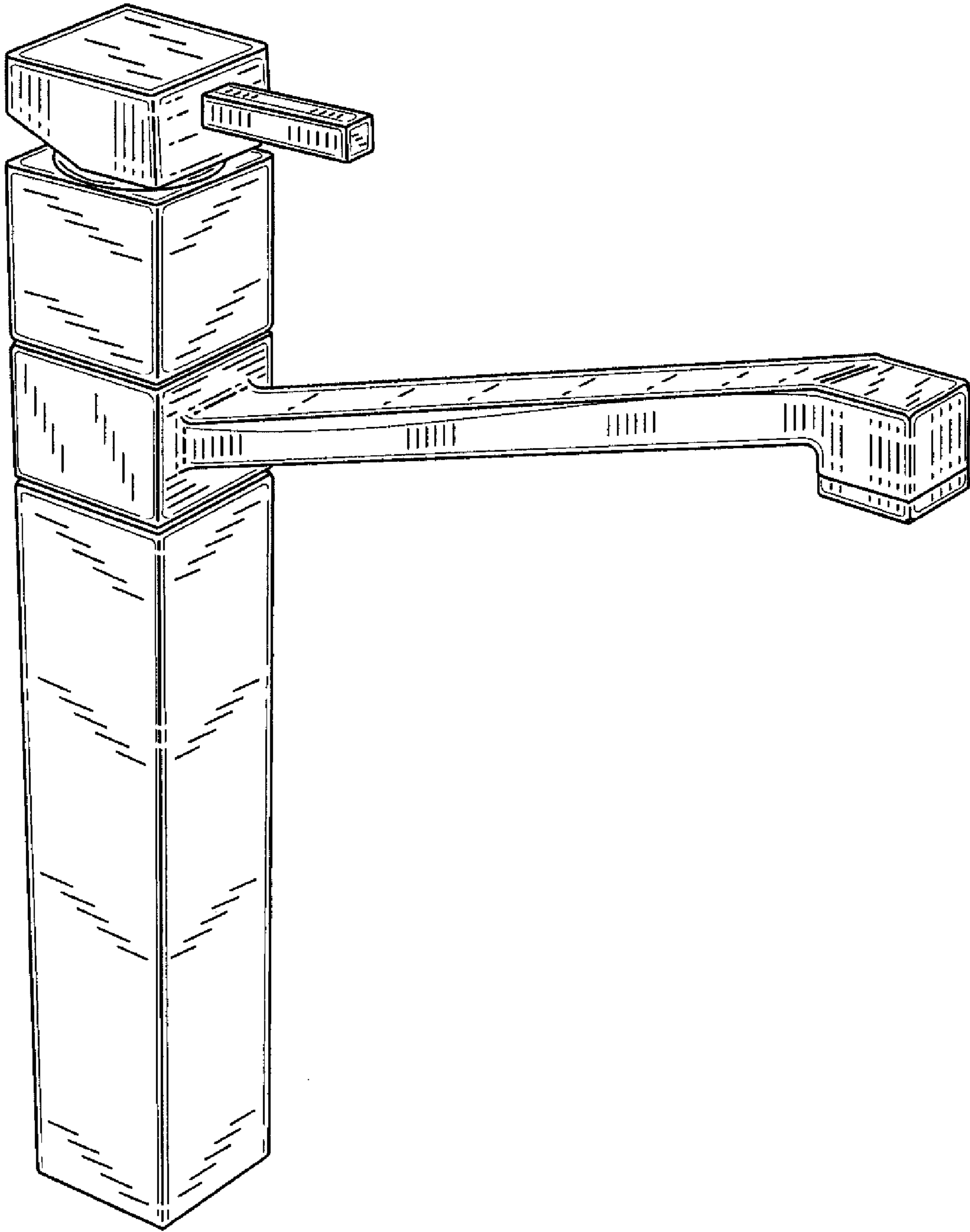


FIG. 6

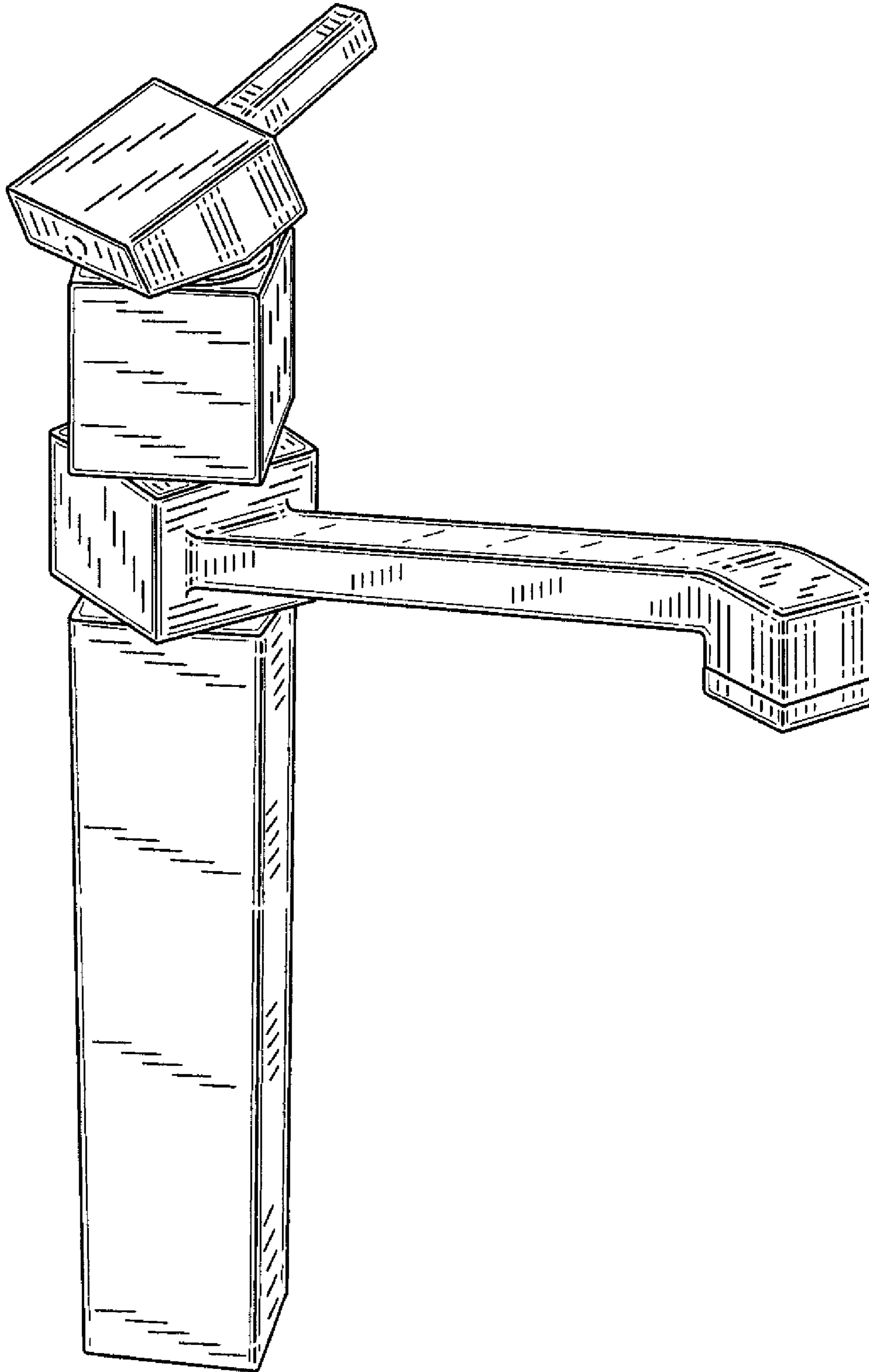


FIG. 7