

US00D566236S

(12) **United States Design Patent**  
**Sedwick**

(10) **Patent No.:** **US D566,236 S**

(45) **Date of Patent:** **\*\* Apr. 8, 2008**

(54) **SPOUT AND ESCUTCHEON**  
(75) Inventor: **Jennifer P. Sedwick**, Lakewood, OH  
(US)

(73) Assignee: **Moen Incorporated**, North Olmsted,  
OH (US)

(\*\*) Term: **14 Years**

(21) Appl. No.: **29/269,091**

(22) Filed: **Nov. 20, 2006**

(51) **LOC (8) Cl.** ..... **23-01**

(52) **U.S. Cl.** ..... **D23/238**

(58) **Field of Classification Search** ..... D23/238-250,  
D23/253-255; 4/671-678; 137/801, 615  
See application file for complete search history.

(56) **References Cited**

**U.S. PATENT DOCUMENTS**

D141,349 S	5/1945	Stanitz	
D278,271 S	4/1985	Niemann	
D280,008 S	8/1985	Miller et al.	
D285,597 S	9/1986	Miller et al.	
D290,992 S	7/1987	Hill et al.	
D293,362 S	12/1987	Hill et al.	
D299,161 S	12/1988	Frattini	
D321,750 S	11/1991	Spangler	
D348,510 S	7/1994	Gottwald	
D349,757 S	8/1994	Altman	
D357,526 S	4/1995	Jans	
D363,975 S	11/1995	Doughty et al.	
D379,849 S	6/1997	Hill et al.	
D383,194 S	9/1997	Doughty et al.	
D392,026 S	3/1998	Doughty et al.	
D393,692 S	4/1998	Ko	
D401,673 S *	11/1998	Steffes	..... D23/241

D403,410 S	12/1998	Doughty et al.	
D404,467 S	1/1999	Doughty et al.	
D406,876 S *	3/1999	Ko	..... D23/241
D406,880 S	3/1999	Doughty et al.	
D410,527 S *	6/1999	Chang et al.	..... D23/241
5,924,451 A	7/1999	Kuo	
D418,579 S *	1/2000	Pitsch et al.	..... D23/242
D420,102 S	2/2000	Warshawsky et al.	
D421,642 S	3/2000	Ko	
D427,288 S *	6/2000	Ko	..... D23/241

(Continued)

*Primary Examiner*—Ian Simmons  
*Assistant Examiner*—David G Muller  
(74) *Attorney, Agent, or Firm*—Calfee Halter & Griswold  
LLP

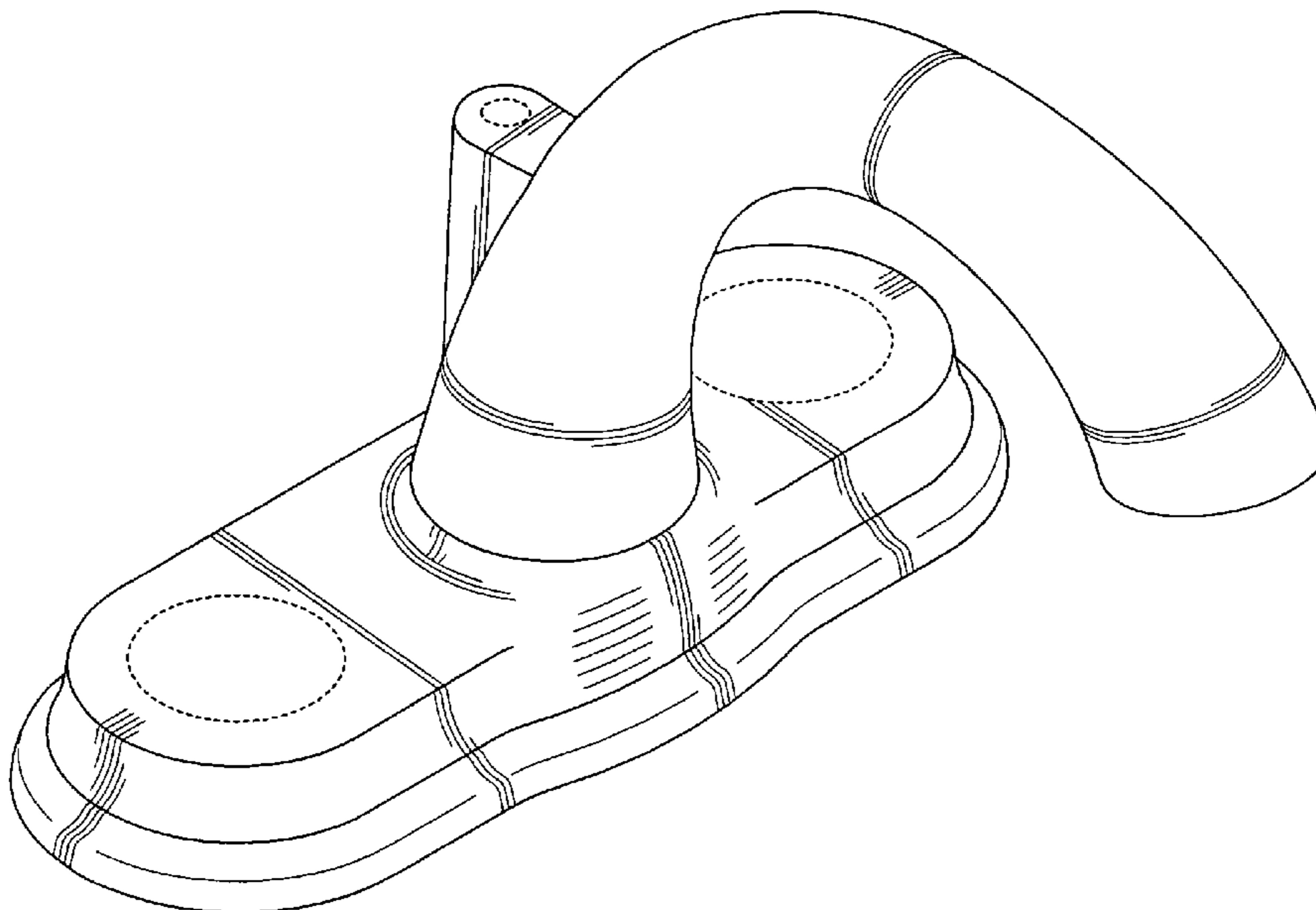
(57) **CLAIM**

The ornamental design for a spout and escutcheon, as shown and described.

**DESCRIPTION**

FIG. 1 is a perspective view of a spout and escutcheon of the new design;  
FIG. 2 is a front elevational view thereof;  
FIG. 3 is a rear elevational view thereof;  
FIG. 4 is a left side elevational view thereof;  
FIG. 5 is a right side elevational view thereof;  
FIG. 6 is a top plan view thereof; and,  
FIG. 7 is a bottom plan view thereof.  
The portions of the Figures shown in broken lines are not part of the claimed design and are for illustration only.

**1 Claim, 7 Drawing Sheets**



# US D566,236 S

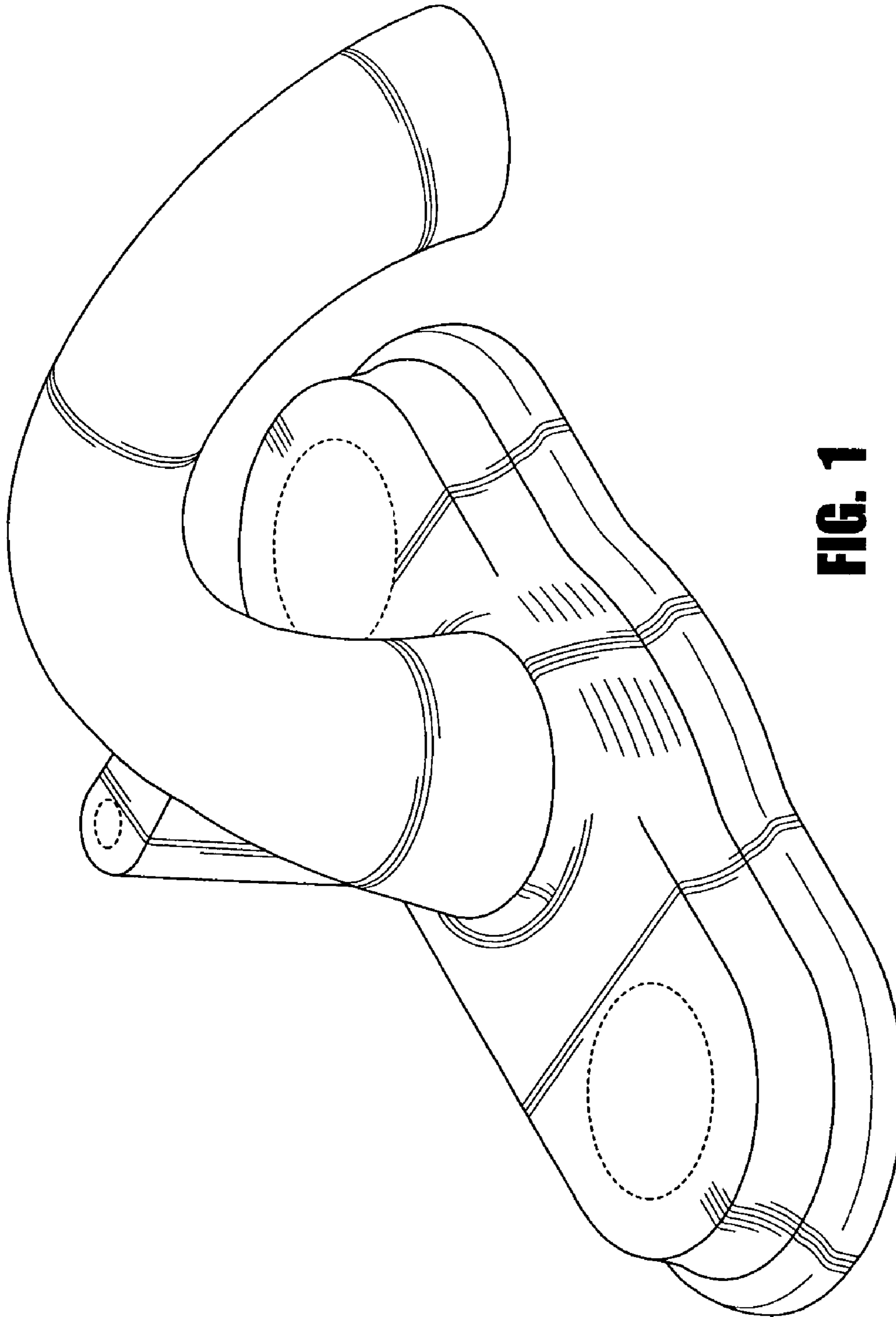
Page 2

---

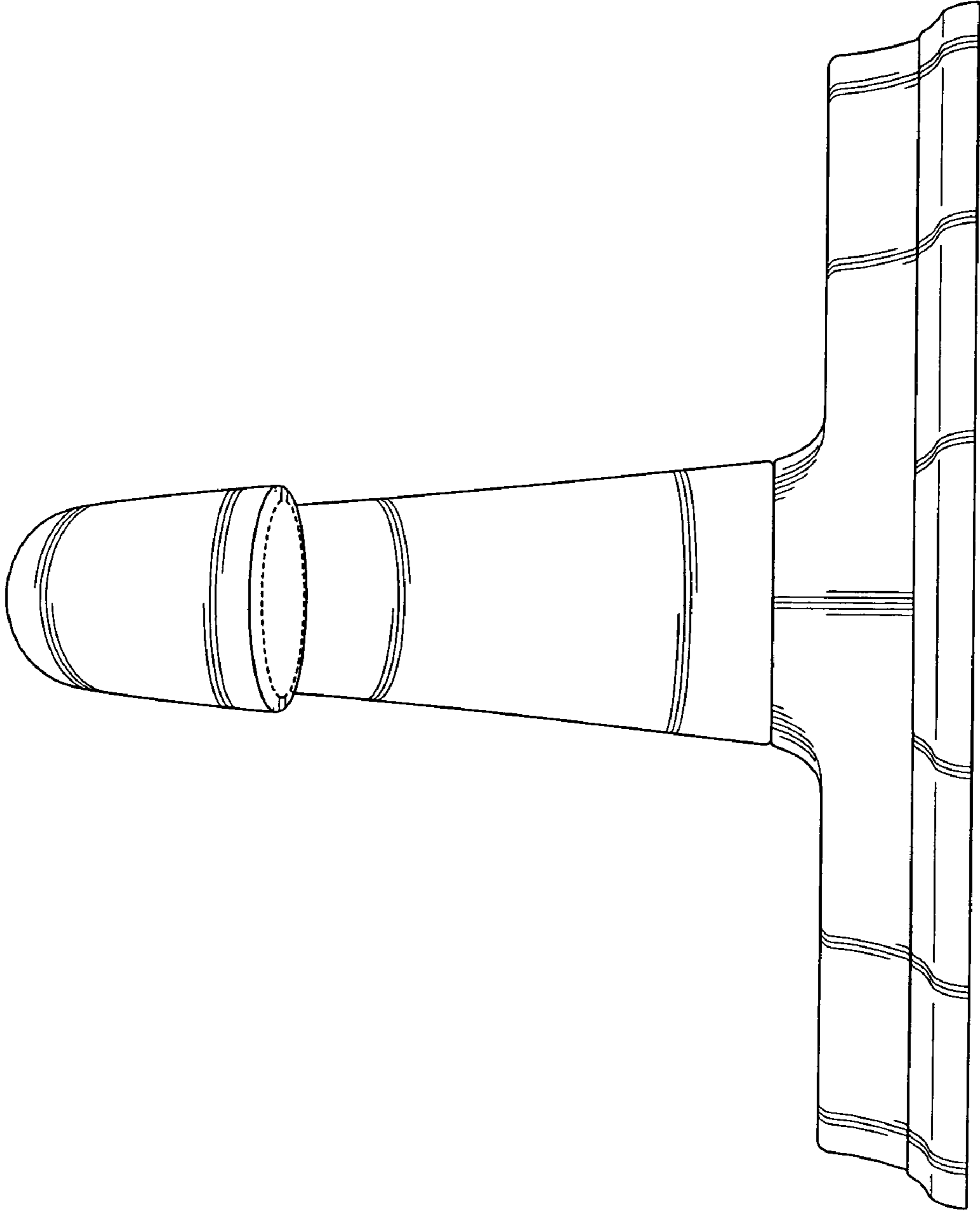
## U.S. PATENT DOCUMENTS

D427,666 S *	7/2000	Wei et al. ....	D23/255	D467,997 S	12/2002	Otero et al.	
D430,270 S *	8/2000	Lord .....	D23/238	D468,807 S	1/2003	Panis et al.	
D435,636 S *	12/2000	Kolada .....	D23/241	D469,518 S	1/2003	Bates et al.	
D438,292 S	2/2001	Lord		D472,610 S	4/2003	Marshall	
D439,953 S	4/2001	Lord		D475,764 S	6/2003	Singtoroj	
D440,282 S *	4/2001	Lord .....	D23/241	D487,303 S *	3/2004	Blomstrom .....	D23/241
6,256,810 B1	7/2001	Baker		D487,500 S	3/2004	Blattner	
D460,524 S *	7/2002	Green et al. ....	D23/241	D492,981 S	7/2004	Bloomstrom	
D461,543 S	8/2002	Mullenmeister		D510,129 S	9/2005	Ouyoung	
D461,879 S	8/2002	Mullenmeister		D510,759 S	10/2005	Lord et al.	
D462,744 S *	9/2002	Lord .....	D23/241	D510,981 S *	10/2005	Green et al. ....	D23/241
D463,010 S	9/2002	Ouyoung		2002/0185182 A1	12/2002	Wang	
D463,847 S	10/2002	Piano		2004/0128756 A1	7/2004	Kinney	
D465,829 S	11/2002	Singtoroj					

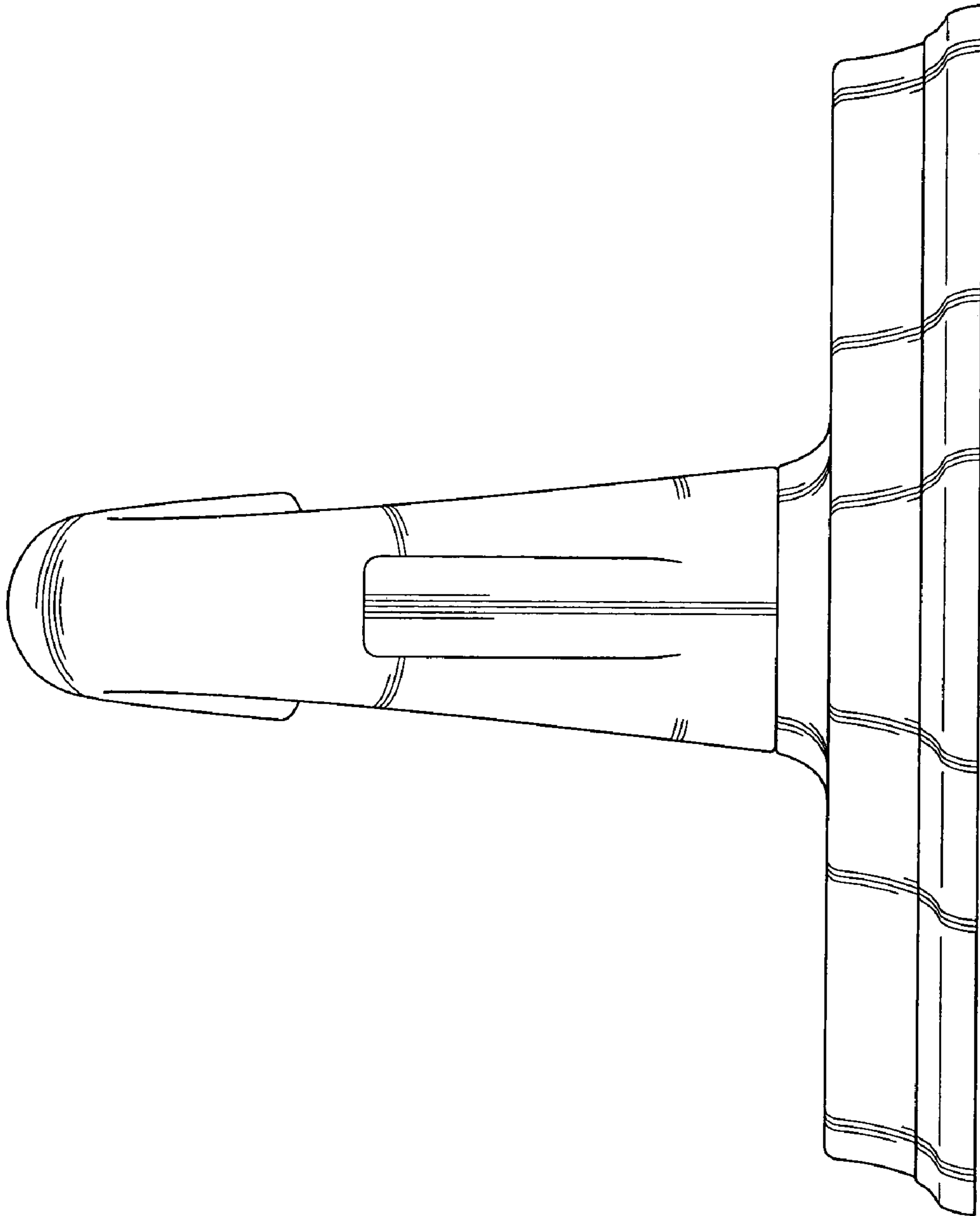
\* cited by examiner



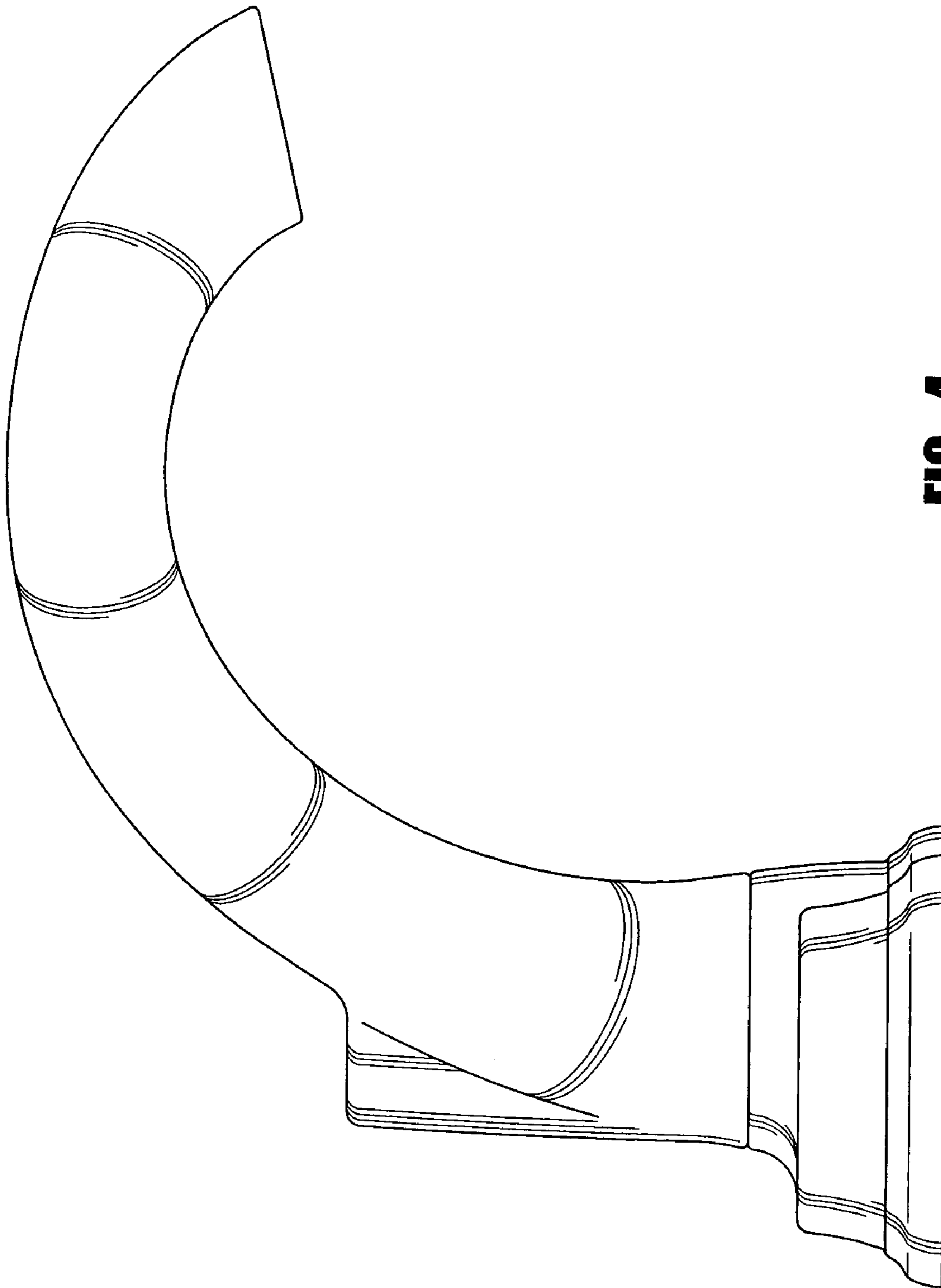
**FIG. 1**



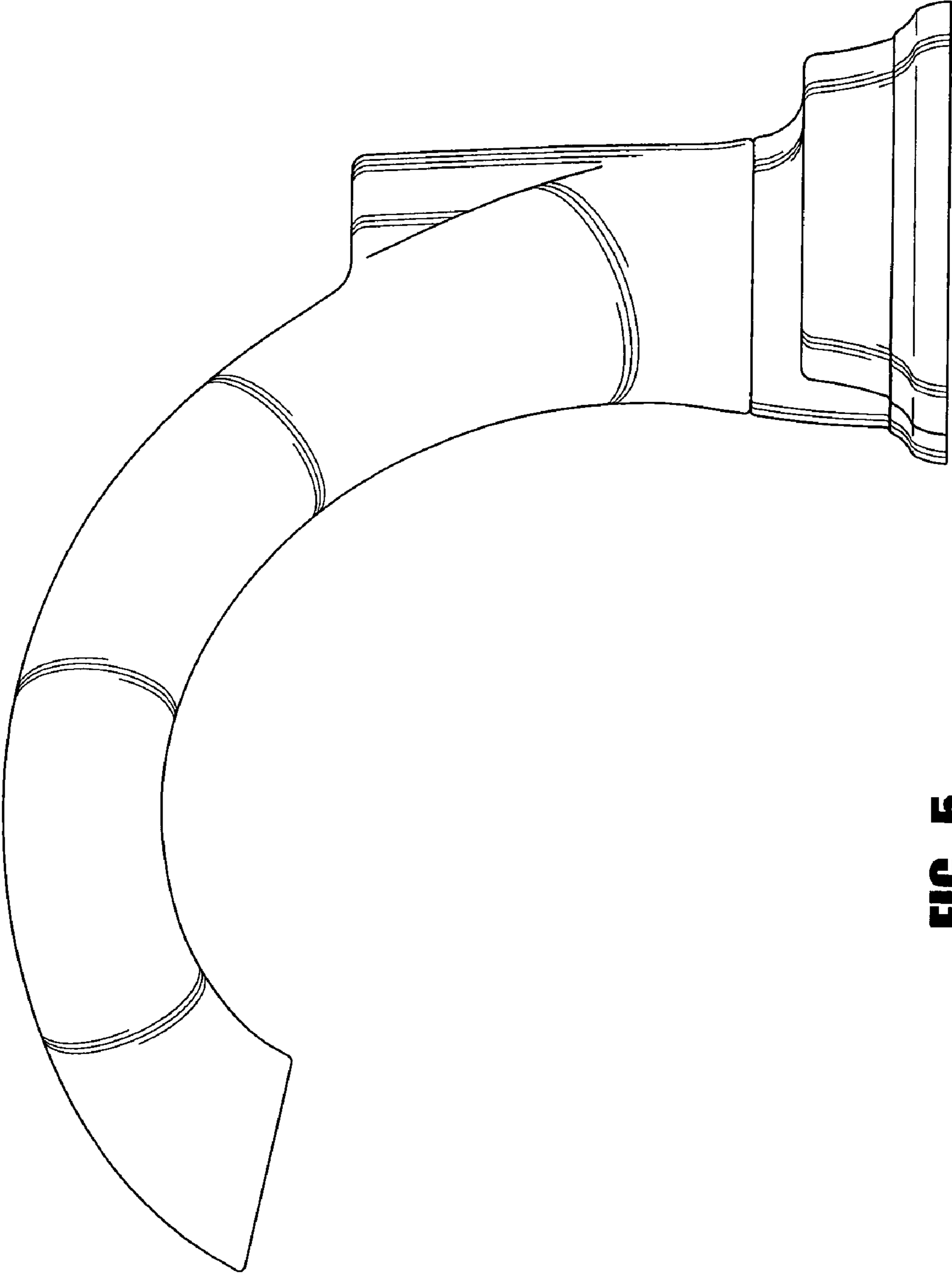
**FIG. 2**



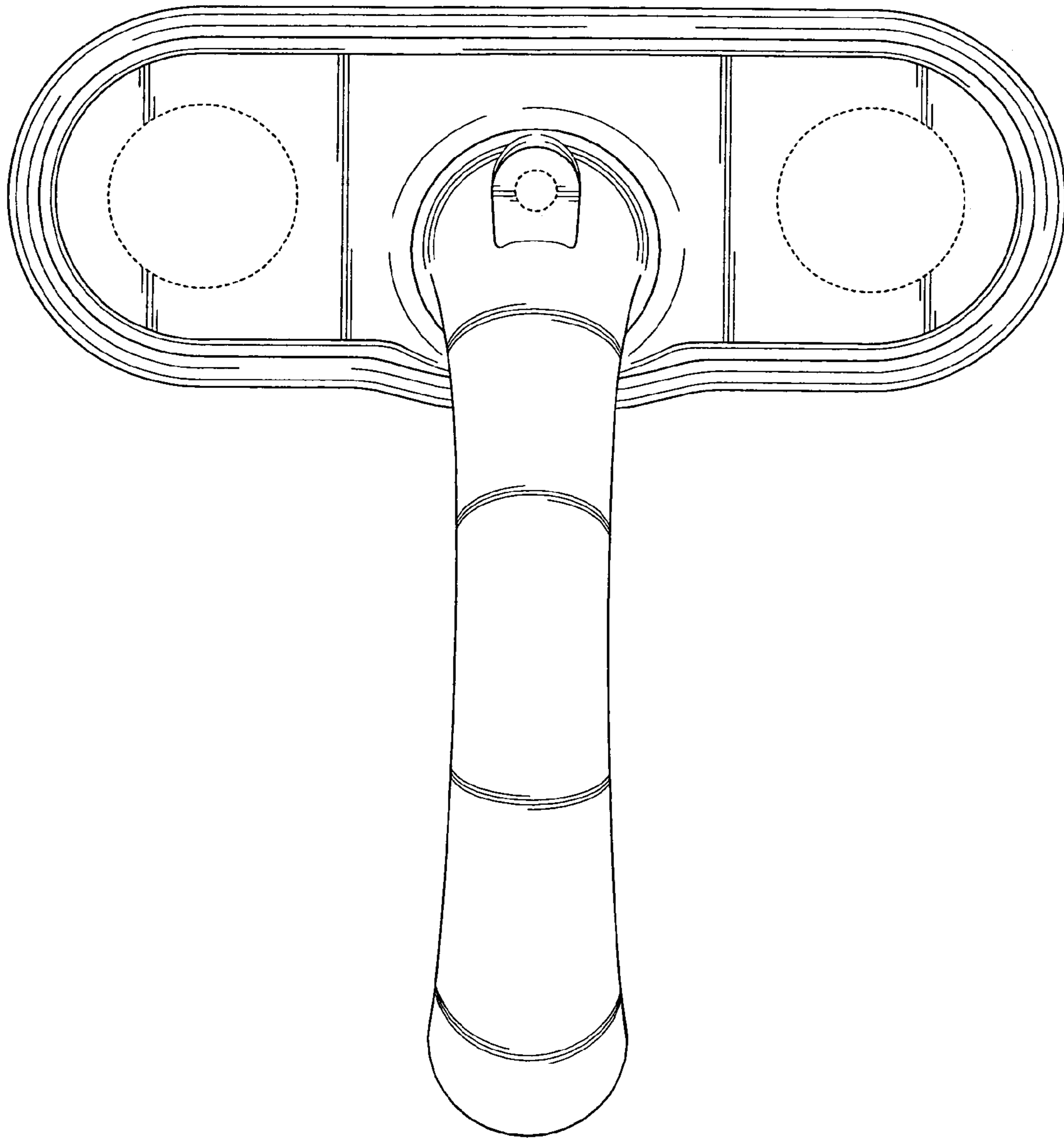
**FIG. 3**



**FIG. 4**

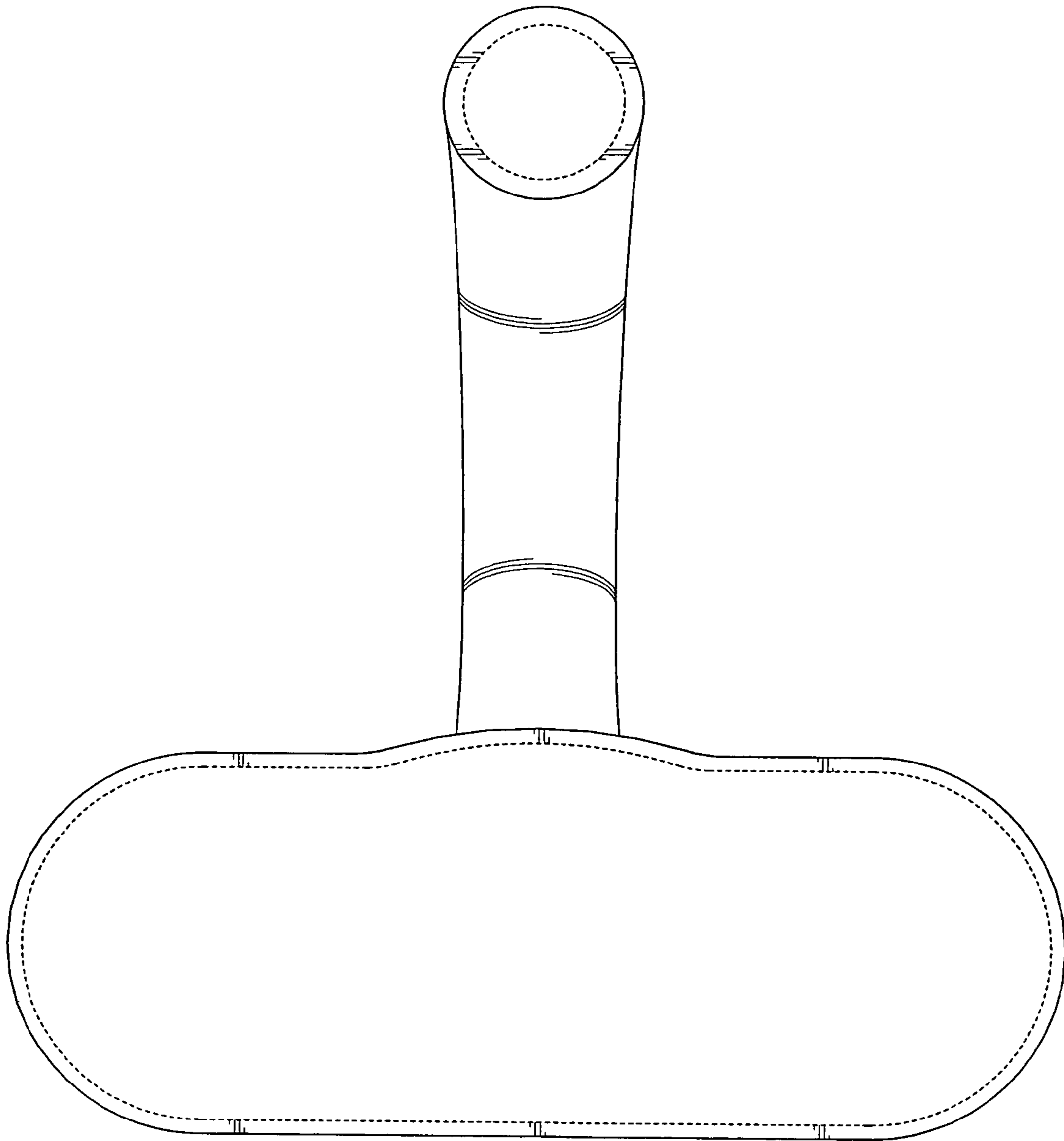


**FIG. 5**



**FIG. 6**





**FIG. 7**