



US00D566235S

(12) **United States Design Patent**
Heck et al.

(10) **Patent No.:** **US D566,235 S**

(45) **Date of Patent:** **** Apr. 8, 2008**

(54) **FAUCET**

(75) Inventors: **Felix Heck**, Munich (DE); **Antonio Citterio**, Milan (IT)

(73) Assignee: **Hansgrohe AG** (DE)

(**) Term: **14 Years**

(21) Appl. No.: **29/247,244**

(22) Filed: **Jun. 8, 2006**

(30) **Foreign Application Priority Data**

Dec. 14, 2005 (EP) 000447933-0001

(51) **LOC (8) Cl.** **23-01**

(52) **U.S. Cl.** **D23/238; D23/249**

(58) **Field of Classification Search** 4/671-678;
137/801, 615
See application file for complete search history.

(56) **References Cited**

U.S. PATENT DOCUMENTS

D266,785 S *	11/1982	Thompson	D23/255
D299,109 S *	12/1988	Jans	D23/252
D300,942 S *	5/1989	Paul	D23/242
D440,637 S *	4/2001	Lefroy-Brooks	D23/255
D440,638 S *	4/2001	Lefroy-Brooks	D23/255
D441,060 S *	4/2001	Lefroy-Brooks	D23/255
D485,602 S *	1/2004	Lee	D23/241
6,757,920 B2 *	7/2004	Antoniello et al.	137/801

D512,133 S *	11/2005	Kosasih	D23/255
D525,342 S *	7/2006	Starck	D23/238
D526,700 S *	8/2006	Schaffeld et al.	D23/249
D526,704 S *	8/2006	Schaffeld et al.	D23/257
D533,924 S *	12/2006	Kirar	D23/255
2004/0050434 A1 *	3/2004	Chen	137/801
2004/0094219 A1 *	5/2004	Ouyoung	137/801

* cited by examiner

Primary Examiner—Stella M. Reid

Assistant Examiner—David G Muller

(74) *Attorney, Agent, or Firm*—Leon E. Redman; Lloyd D. Doigan

(57) **CLAIM**

The ornamental design for a faucet, as shown and described.

DESCRIPTION

FIG. 1 is a front perspective view of a faucet showing our design;

FIG. 2 is a top plan view thereof;

FIG. 3 is a front elevational view thereof;

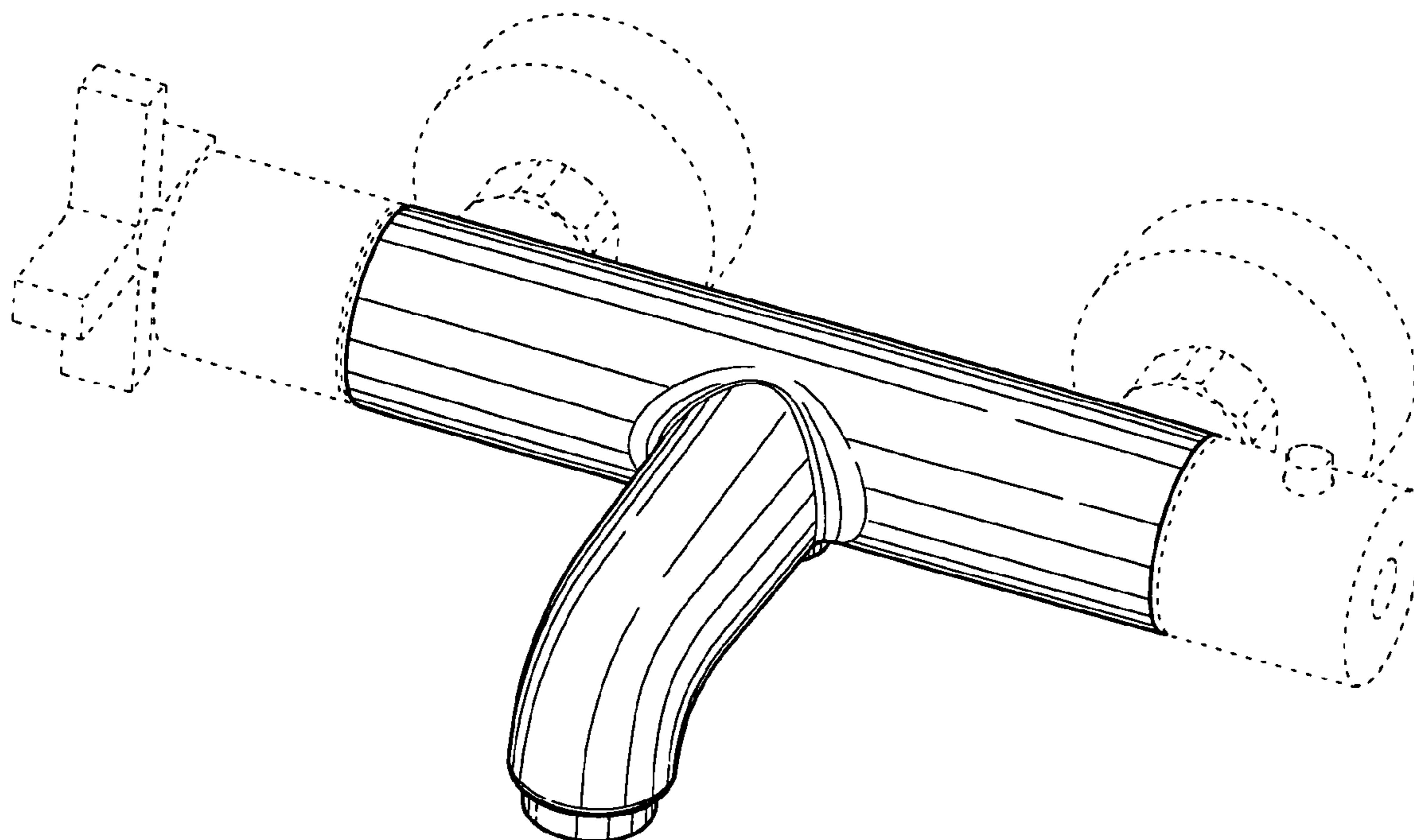
FIG. 4 is a bottom plan view thereof;

FIG. 5 is a right side elevational view thereof; and,

FIG. 6 is a left side elevational view thereof.

The broken lines in the Figures are for illustrative purposes only and form no part of the claimed design.

1 Claim, 5 Drawing Sheets



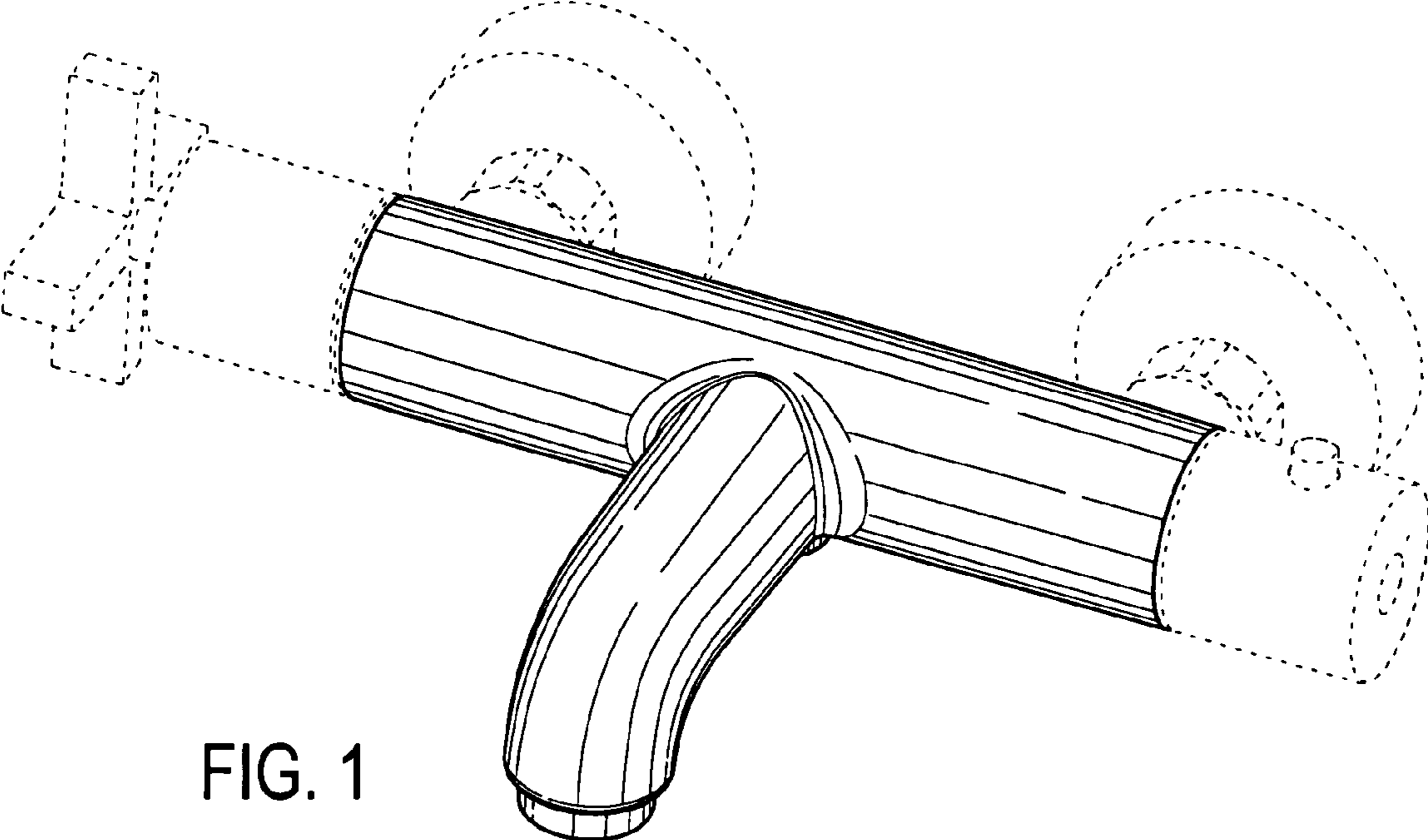


FIG. 1

FIG. 2

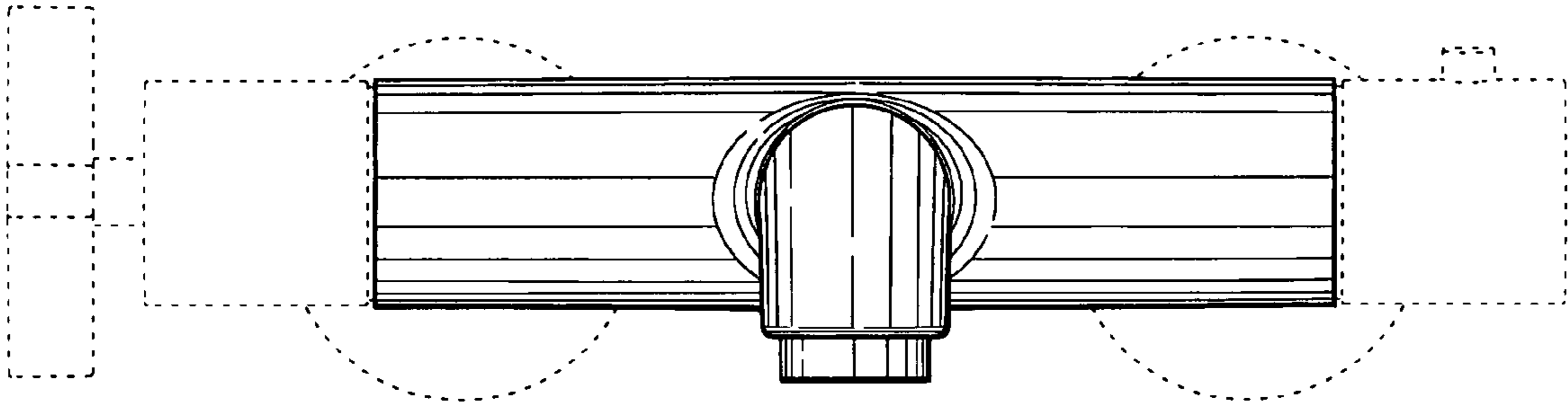
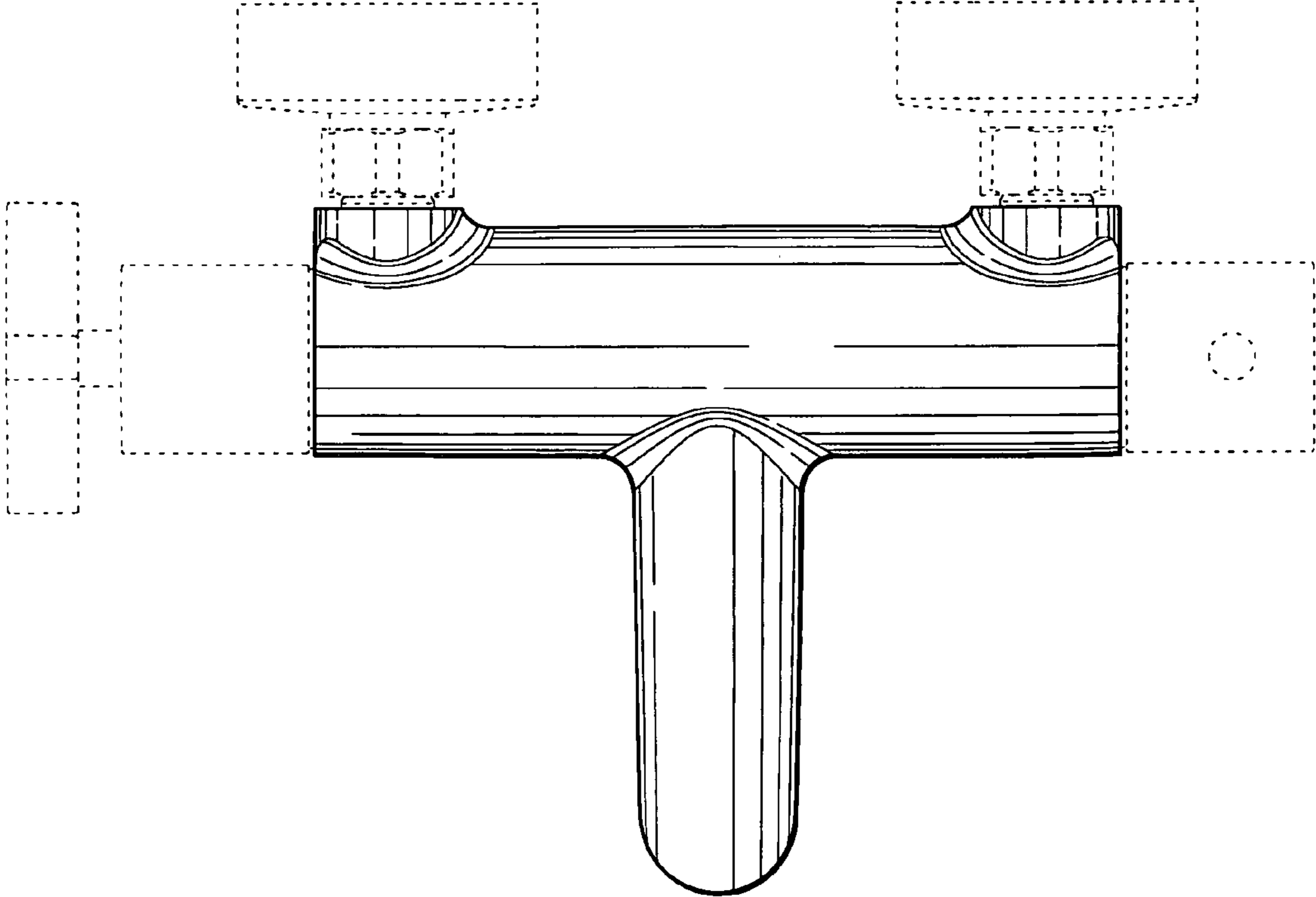


FIG. 3

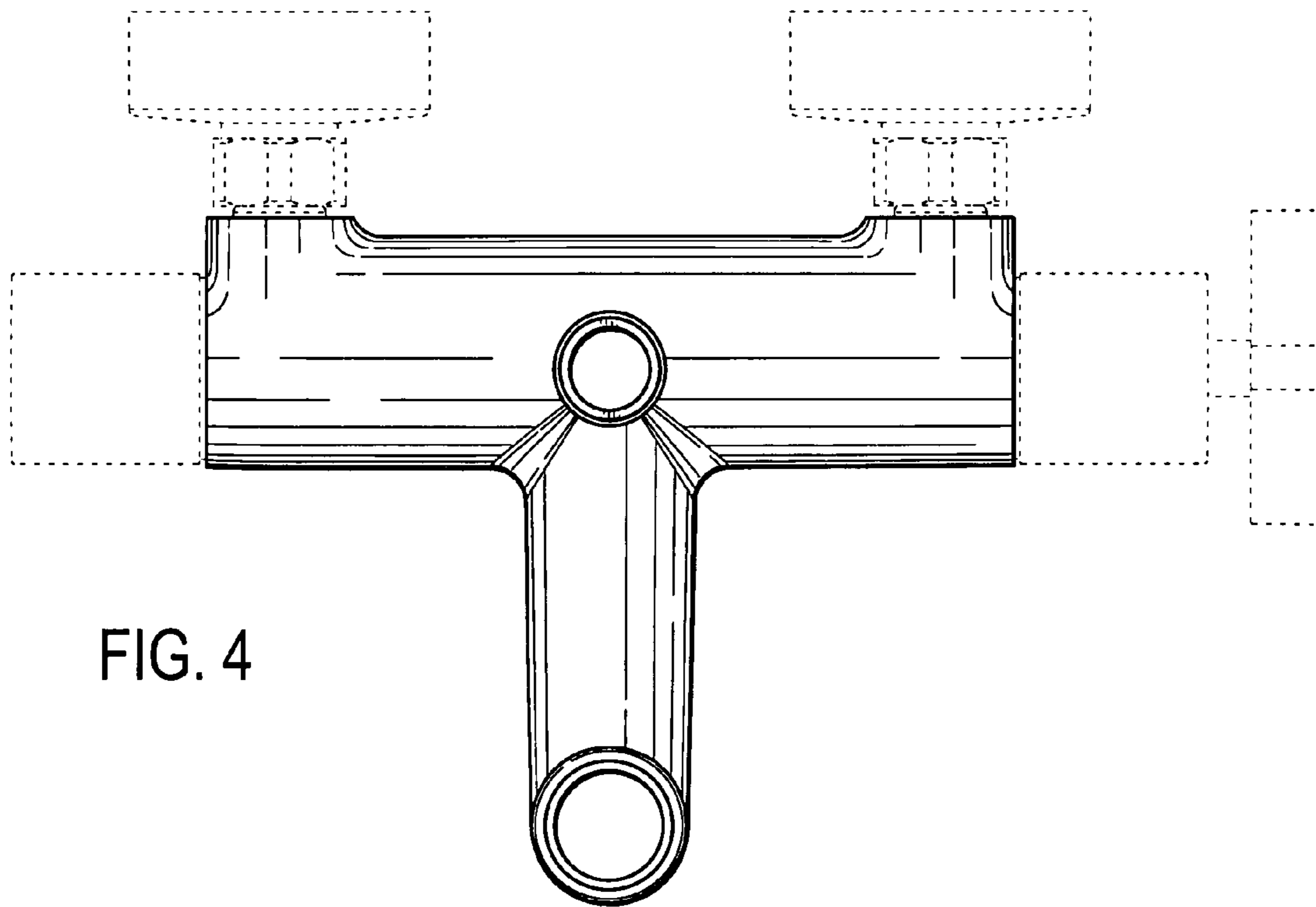


FIG. 4

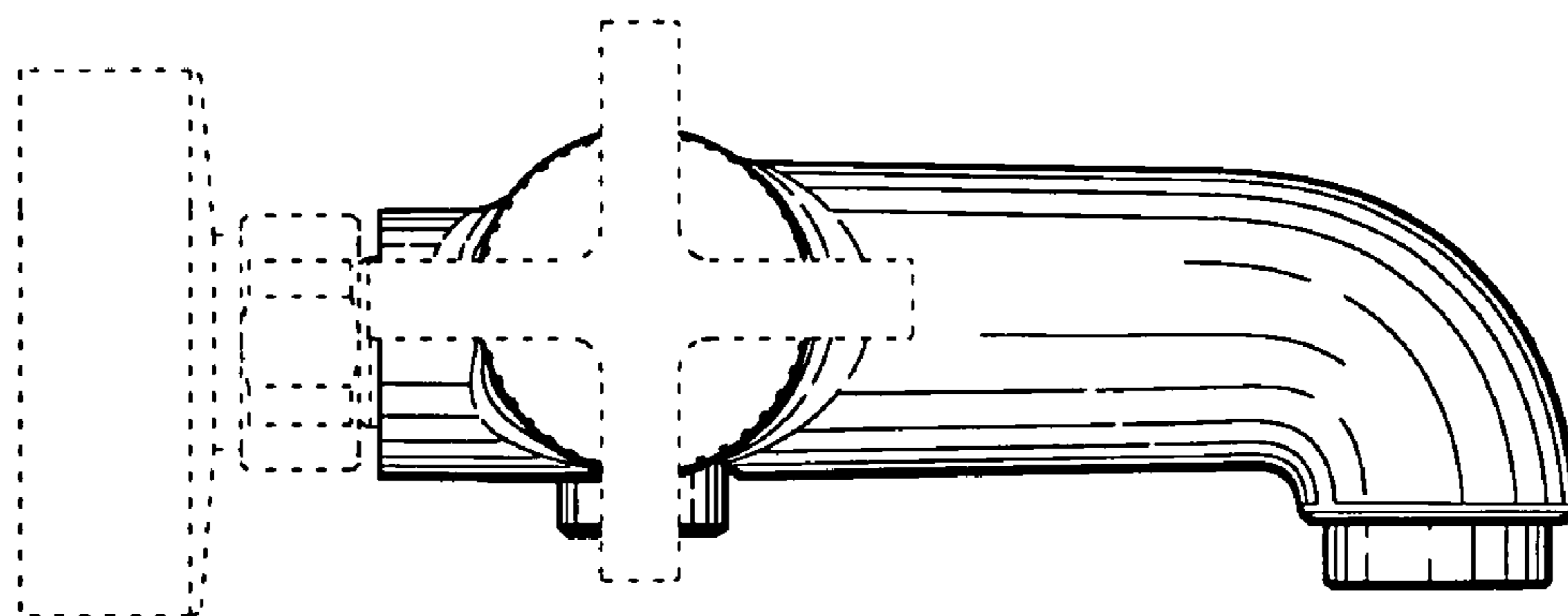


FIG. 5

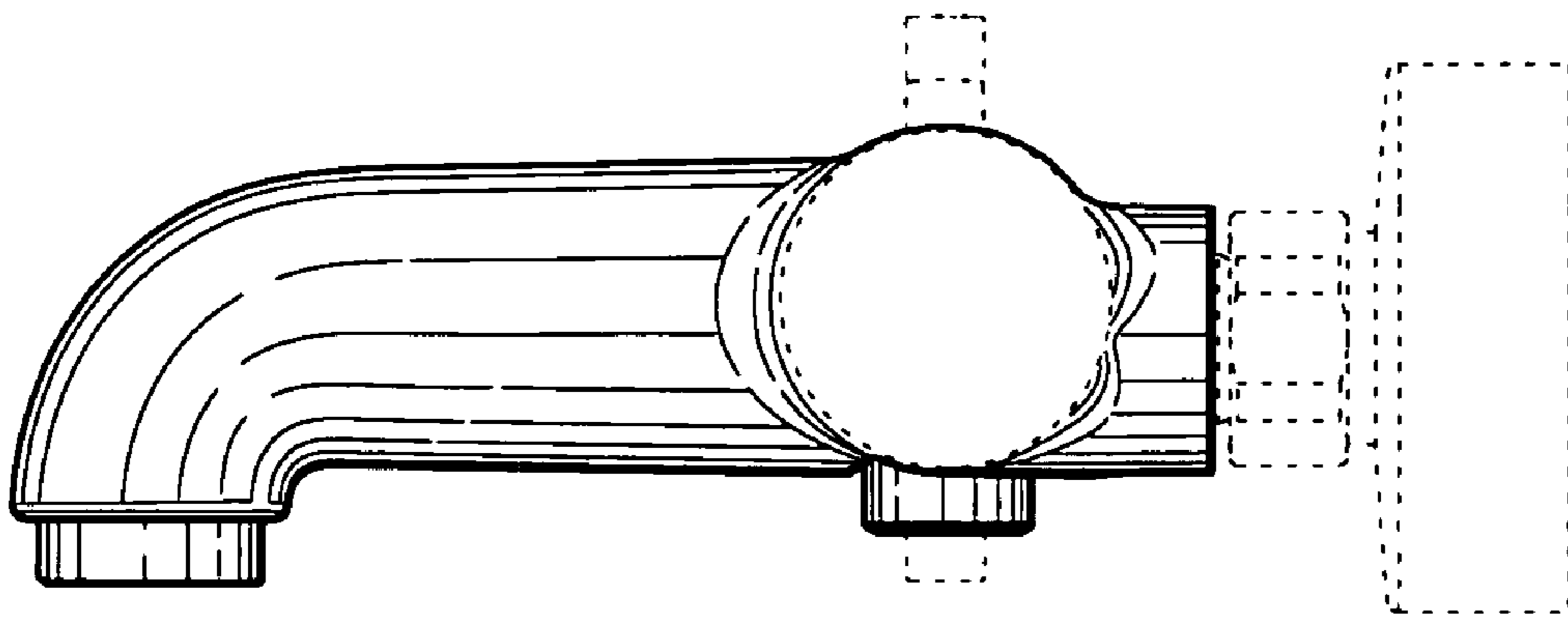


FIG. 6