



US00D566234S

(12) **United States Design Patent**
Caron et al.

(10) **Patent No.: US D566,234 S**

(45) **Date of Patent: ** Apr. 8, 2008**

(54) **REGULATOR VALVE**

(75) Inventors: **Joseph Michael Caron**, Summit, NJ
(US); **Gerald Gramegna**, Saddle
Brook, NJ (US)

(73) Assignee: **Versa Products Company, Inc.**,
Paramus, NJ (US)

(**) Term: **14 Years**

(21) Appl. No.: **29/246,662**

(22) Filed: **May 1, 2006**

(51) **LOC (8) Cl.** **23-01**

(52) **U.S. Cl.** **D23/233; D15/5**

(58) **Field of Classification Search** D23/233-237,
D23/244-249; 192/87.13, 3.57, 87.18; 251/129.01,
251/137, 282, 324-325, 321, 355, 129.08,
251/129.07; D15/5

See application file for complete search history.

(56) **References Cited**

U.S. PATENT DOCUMENTS

D414,498 S	*	9/1999	Yoshida	D15/1
D416,265 S	*	11/1999	Kato et al.	D15/1
D439,634 S	*	3/2001	Hayashi et al.	D15/5
D449,051 S	*	10/2001	Miyashita	D15/1
D453,522 S	*	2/2002	Maeda et al.	D15/1
D491,193 S	*	6/2004	Davis	D15/1

D503,410 S	*	5/2005	Kato	D15/1
D520,520 S	*	5/2006	Nimberger	D15/5
D527,020 S	*	8/2006	Miyazaki et al.	D15/3
D529,046 S	*	9/2006	Maeda et al.	D15/1
D535,722 S	*	1/2007	Nimberger	D23/233
D538,889 S	*	3/2007	Marstorp	D23/233
D539,386 S	*	3/2007	Hayashi et al.	D23/233
D539,387 S	*	3/2007	Donovan et al.	D23/233
D542,382 S	*	5/2007	Cook et al.	D23/233
D544,883 S	*	6/2007	Nimberger	D15/5
D553,156 S	*	10/2007	Nimberger et al.	

* cited by examiner

Primary Examiner—Jeffrey Asch

Assistant Examiner—Maurice Stevens

(74) *Attorney, Agent, or Firm*—Greenlee, Winner and
Sullivan, P.C.

(57) **CLAIM**

The ornamental design for a regulator valve, as shown and
described.

DESCRIPTION

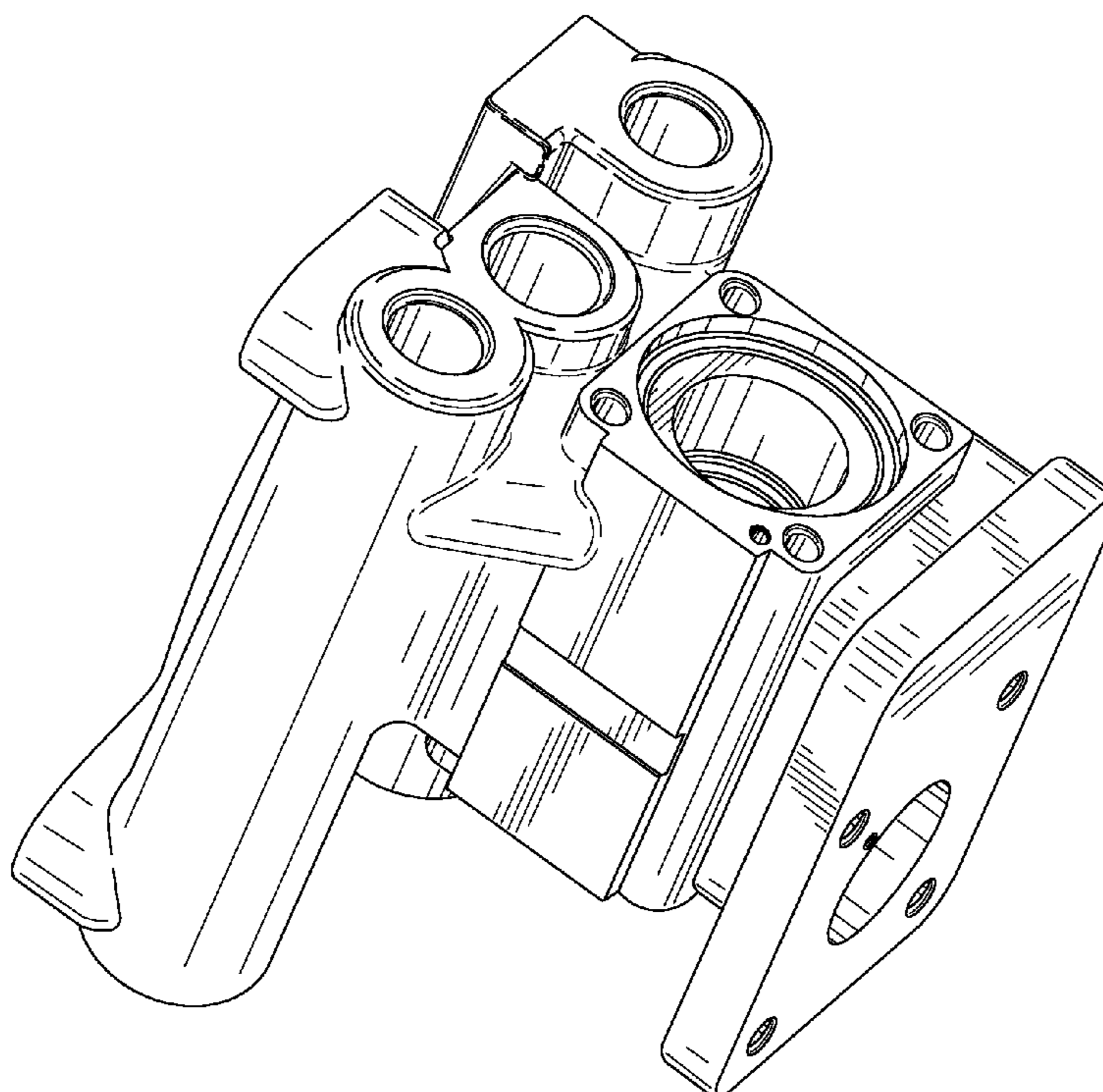
FIG. 1 is a top, front, right and top perspective view of a
three-way 1/4" regulator valve showing my new design;

FIG. 2 is a bottom, left and rear view thereof;

FIG. 3 is a bottom and rear view thereof; and,

FIG. 4 is a bottom, rear and left view thereof.

1 Claim, 4 Drawing Sheets



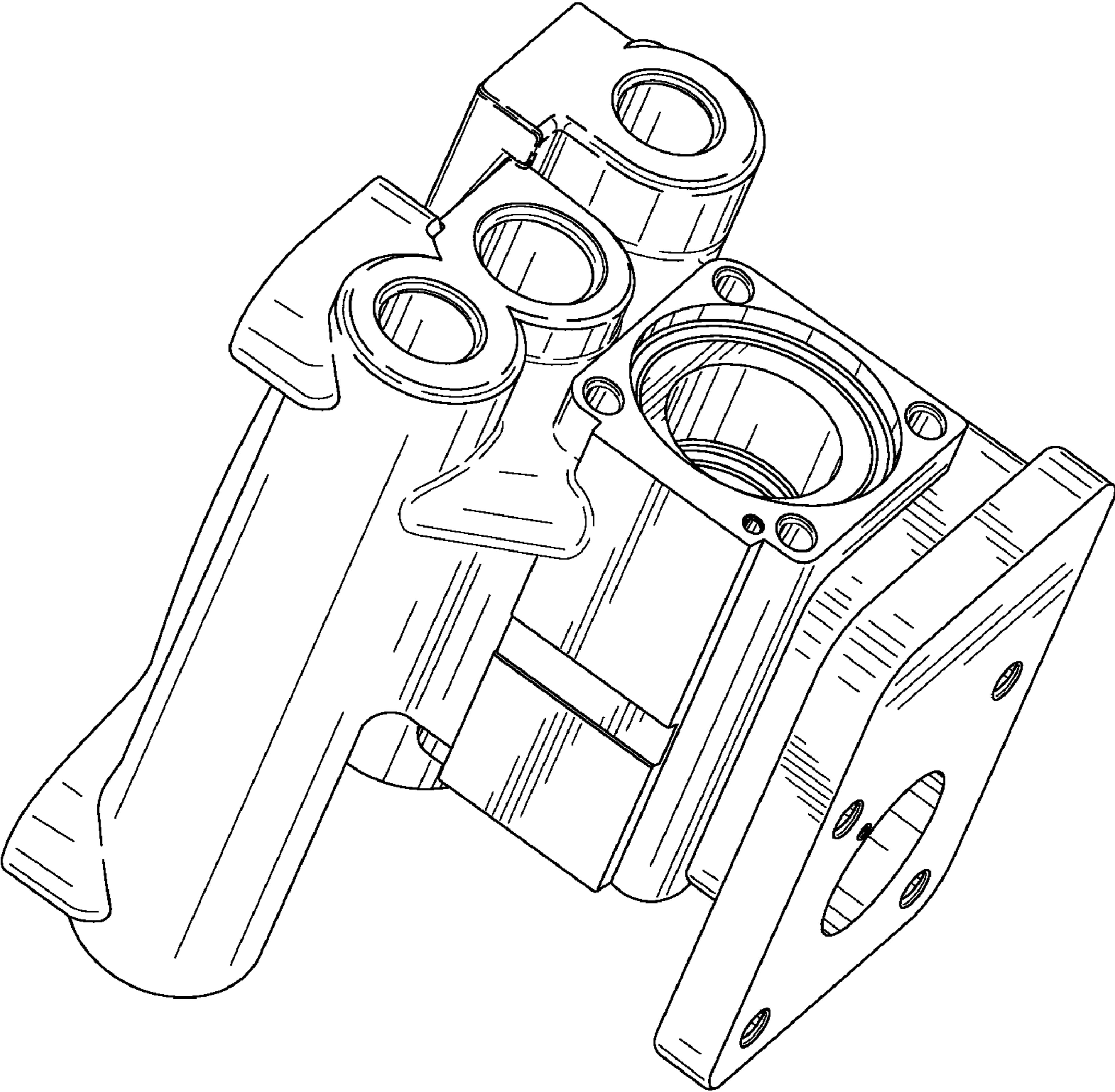


FIG. 1

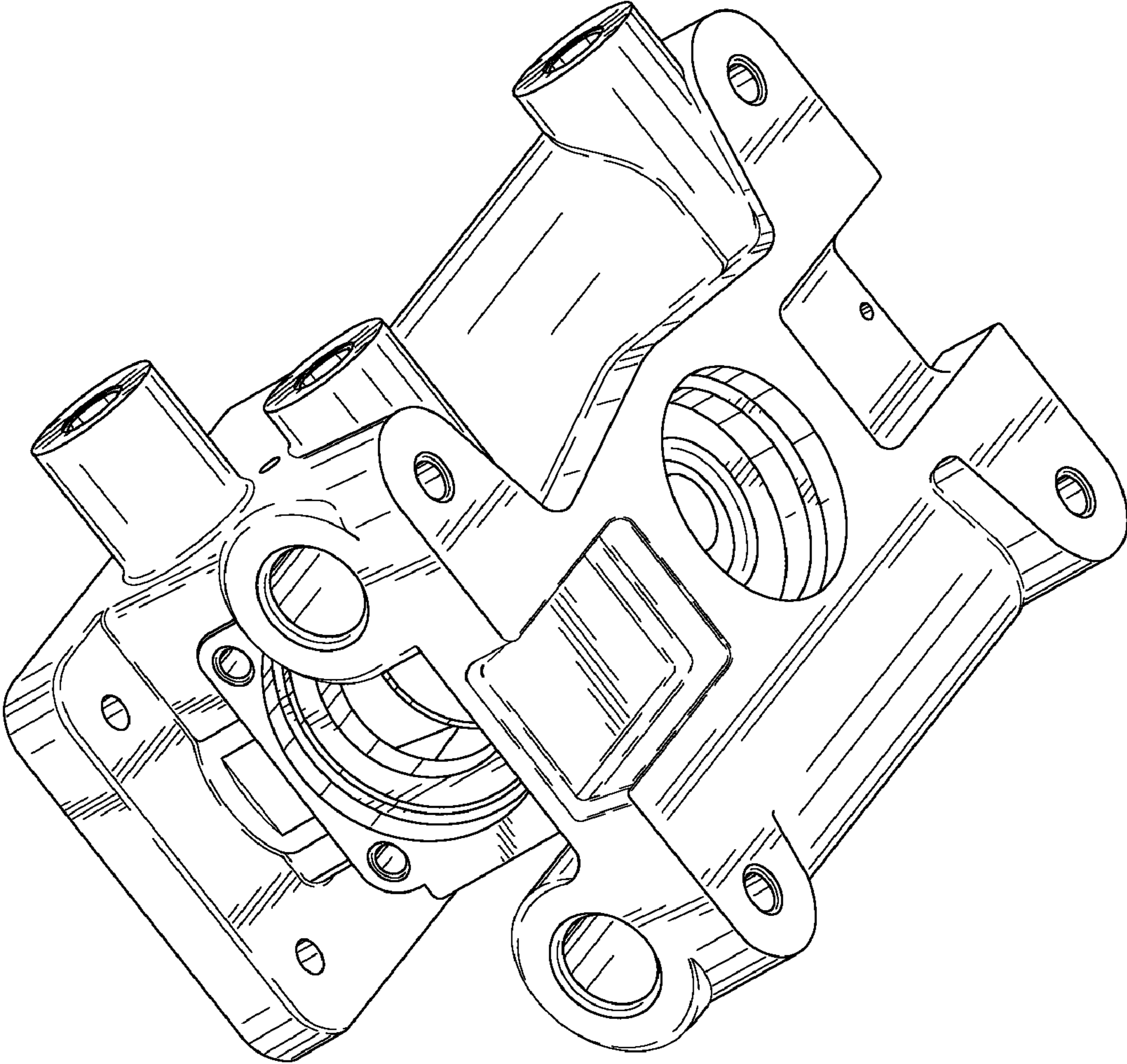


FIG. 2

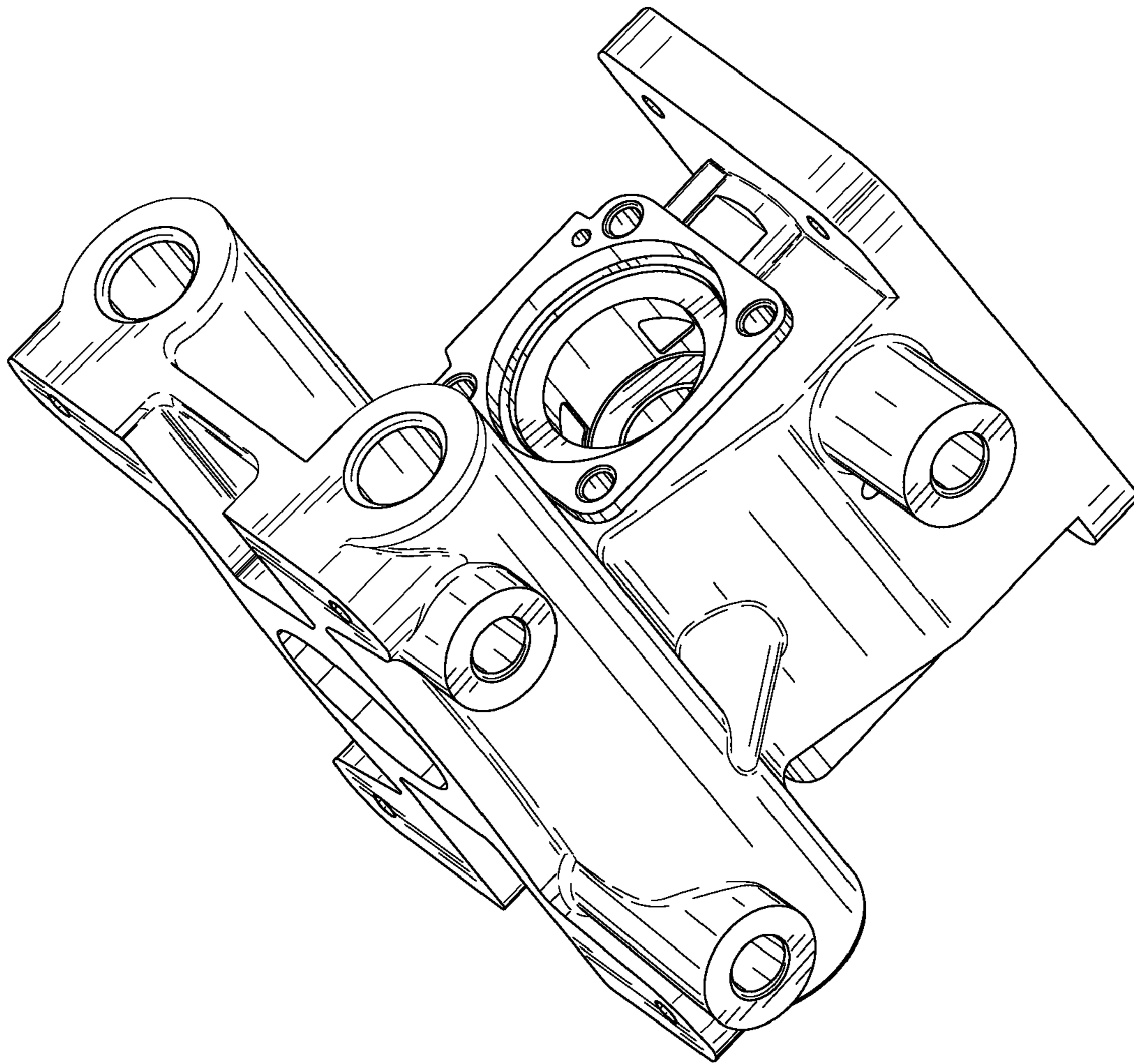


FIG. 3

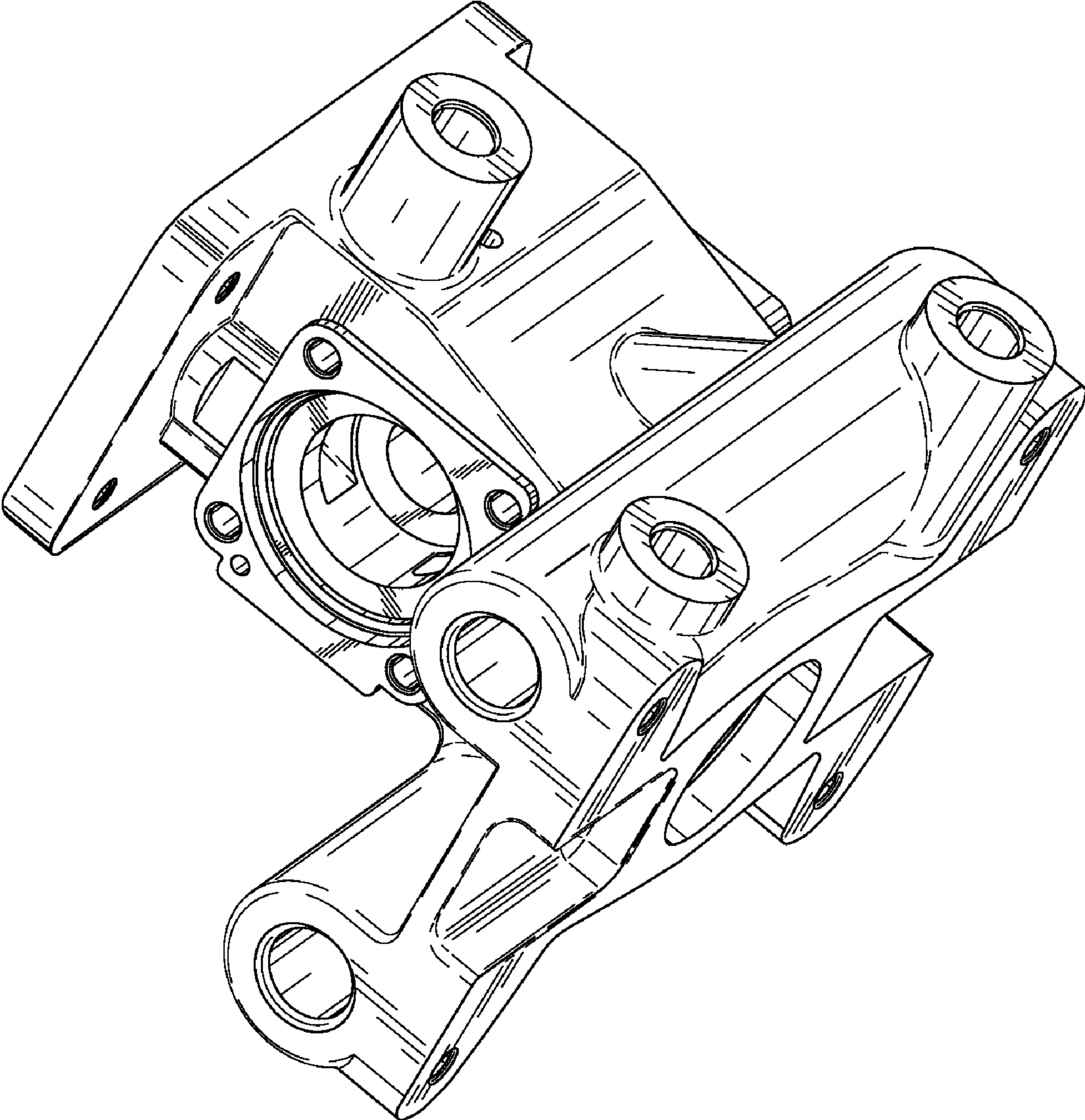


FIG. 4