



US00D566232S

(12) **United States Design Patent**
Miedzius

(10) **Patent No.:** **US D566,232 S**
(45) **Date of Patent:** **** Apr. 8, 2008**

(54) **SHOWERHEAD**

(75) Inventor: **Christopher Miedzius**, Newark, DE
(US)

(73) Assignee: **Speakman Company**, New Castle, DE
(US)

(**) Term: **14 Years**

(21) Appl. No.: **29/273,519**

(22) Filed: **Mar. 6, 2007**

(51) **LOC (8) Cl.** **23-01**

(52) **U.S. Cl.** **D23/229**

(58) **Field of Classification Search** D23/213,
D23/223, 226, 229-230; 239/394, 462, 282-3;
4/615

See application file for complete search history.

(56) **References Cited**

U.S. PATENT DOCUMENTS

3,865,310 A	2/1975	Elkins et al.	
D348,720 S	7/1994	Haug et al.	
D369,851 S *	5/1996	Huang	D23/213
5,918,811 A	7/1999	Denham et al.	
6,016,977 A	1/2000	Farley	
D423,083 S	4/2000	Haug et al.	
D424,160 S	5/2000	Haug et al.	
D424,161 S	5/2000	Haug et al.	
D424,162 S	5/2000	Haug et al.	
D424,163 S	5/2000	Haug et al.	
D428,110 S	7/2000	Haug et al.	
D434,109 S	11/2000	Ko	
D443,025 S	5/2001	Kollmann et al.	
D443,028 S	5/2001	Kollmann et al.	
D443,029 S	5/2001	Kollmann et al.	
D447,218 S	8/2001	Kollmann et al.	
D450,805 S	11/2001	Lindholm et al.	
D450,806 S	11/2001	Lindholm et al.	
D450,807 S	11/2001	Lindholm et al.	
D451,171 S	11/2001	Lindholm et al.	

D451,172 S	11/2001	Lindholm et al.	
D451,583 S	12/2001	Lindholm et al.	
D451,980 S	12/2001	Lindholm et al.	
D452,553 S	12/2001	Lindholm et al.	
D452,725 S	1/2002	Lindholm et al.	
D453,551 S	2/2002	Lindholm et al.	
D457,598 S	5/2002	Storti et al.	
D457,937 S	5/2002	Lindholm et al.	
6,537,455 B2	3/2003	Farley	
D489,793 S	5/2004	Haug et al.	
D492,006 S	6/2004	Haug et al.	
D498,514 S	11/2004	Haug et al.	
D502,988 S *	3/2005	Wu	D23/229
6,869,030 B2	3/2005	Blessing et al.	
D507,037 S *	7/2005	Wu	D23/229
D520,109 S *	5/2006	Wu	D23/229

* cited by examiner

Primary Examiner—Robin V Webster

(74) *Attorney, Agent, or Firm*—Connolly Bove Lodge & Hutz LLP

(57) **CLAIM**

The ornamental design for a showerhead, as shown and described.

DESCRIPTION

FIG. 1 is a perspective view of the showerhead showing my design;

FIG. 2 is a bottom plan view thereof;

FIG. 3 is a top plan view thereof;

FIG. 4 is a left side elevational view thereof;

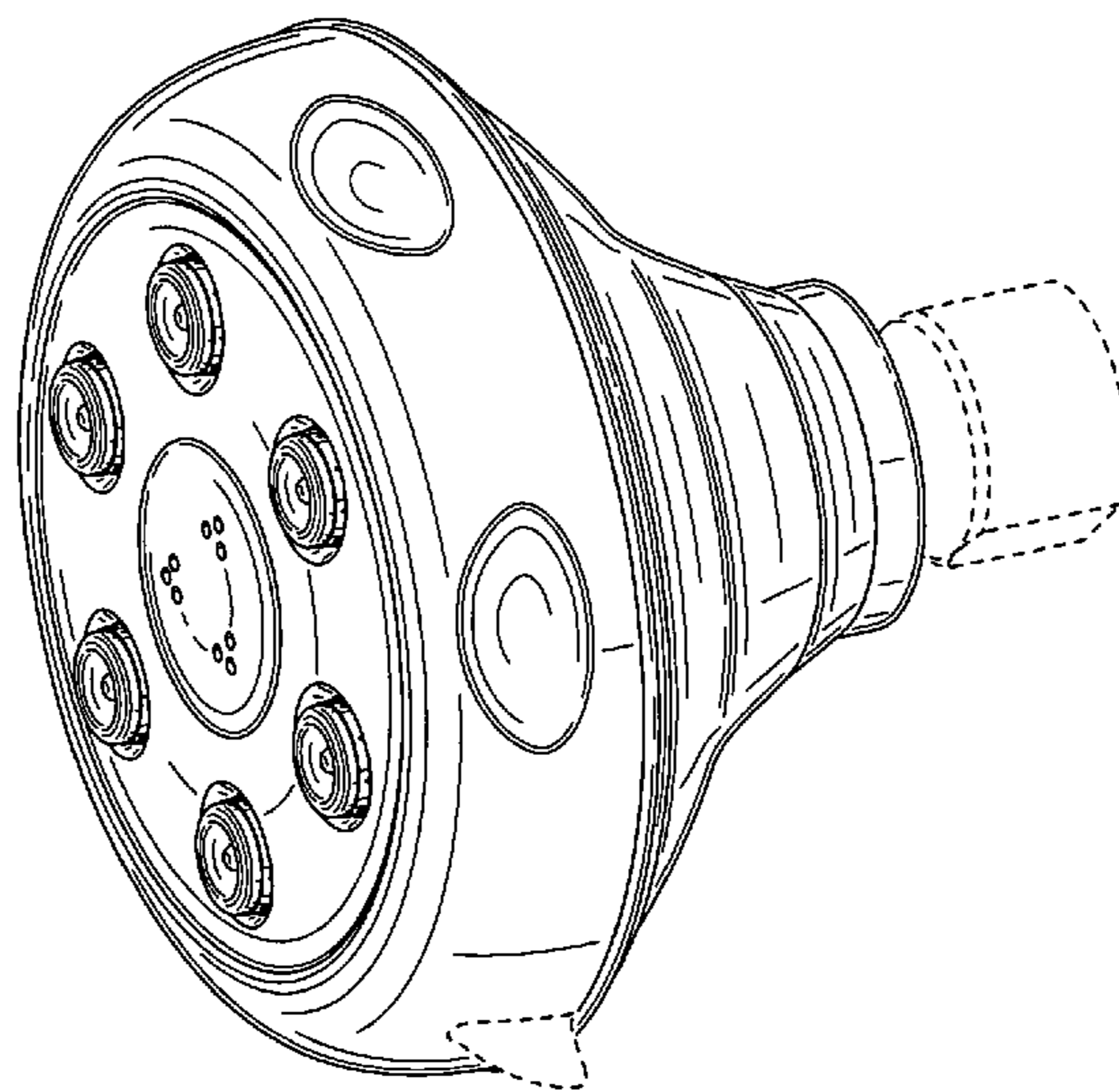
FIG. 5 is a right side elevational view thereof;

FIG. 6 is a front elevational view thereof; and,

FIG. 7 is a rear elevational view thereof.

The phantom line representations of the swivel connector and operating tab shown in FIGS. 1-7 are only for illustration purposes, and form no part of the claimed design.

1 Claim, 4 Drawing Sheets



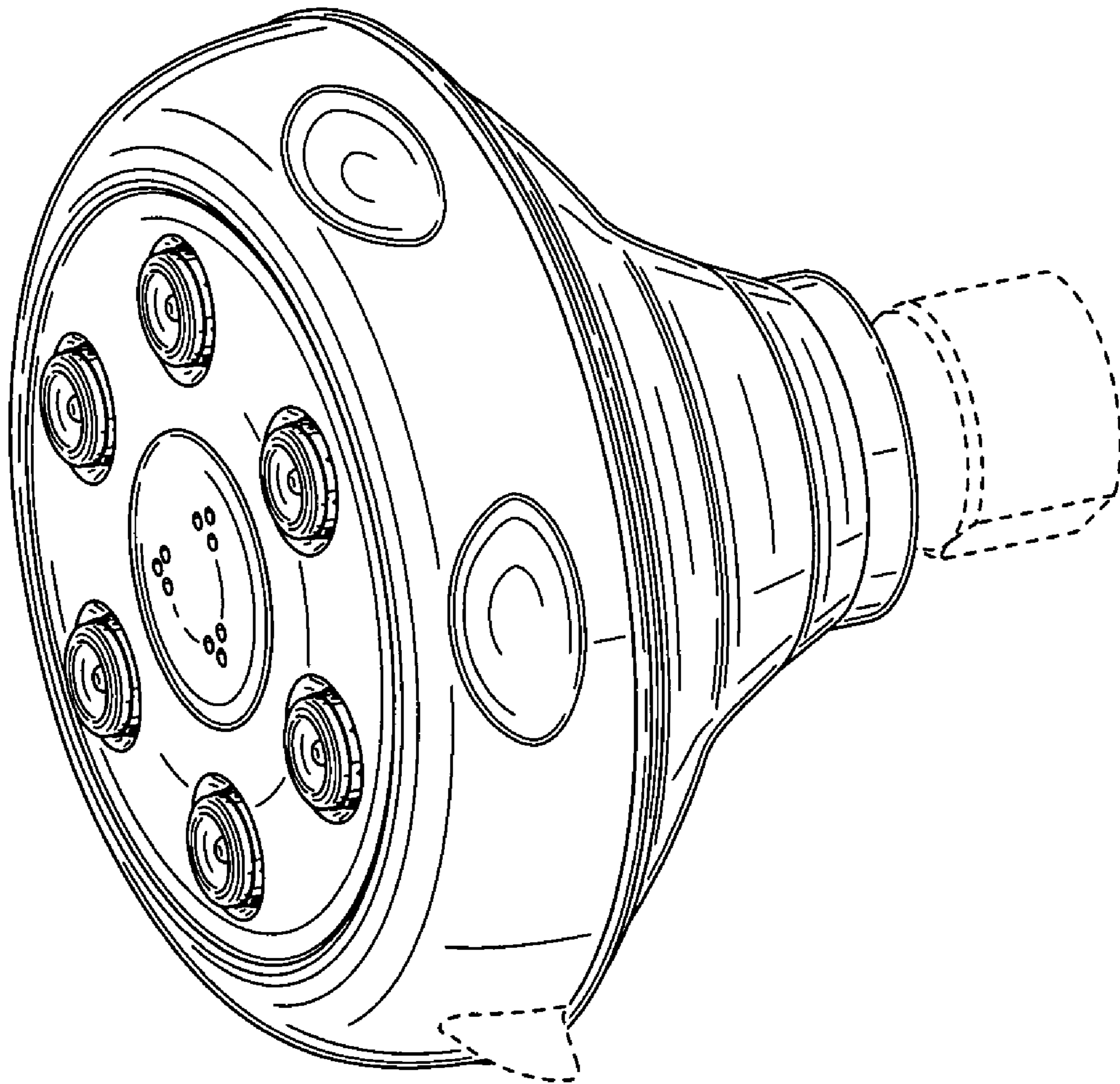


FIG. 1

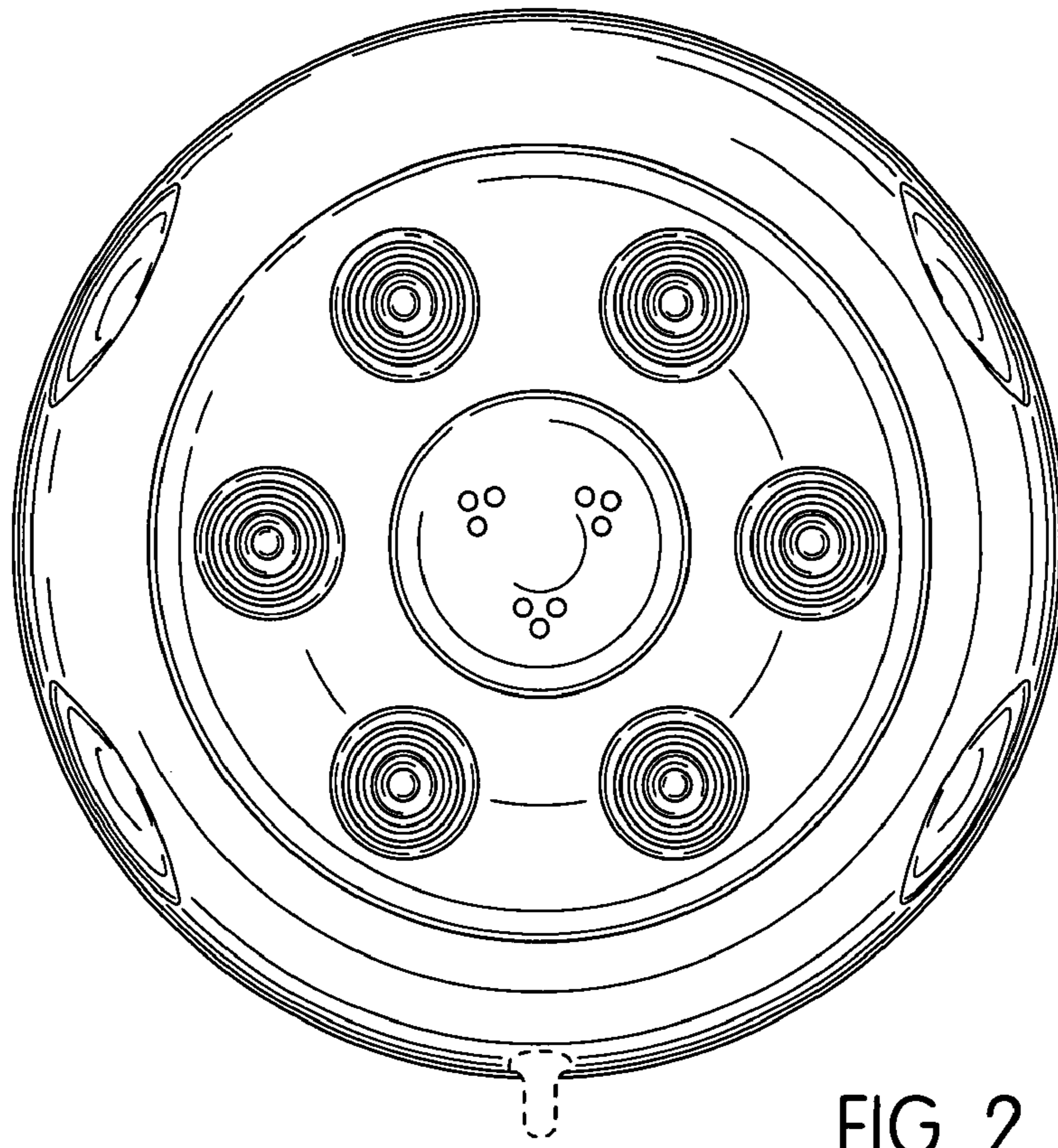


FIG. 2

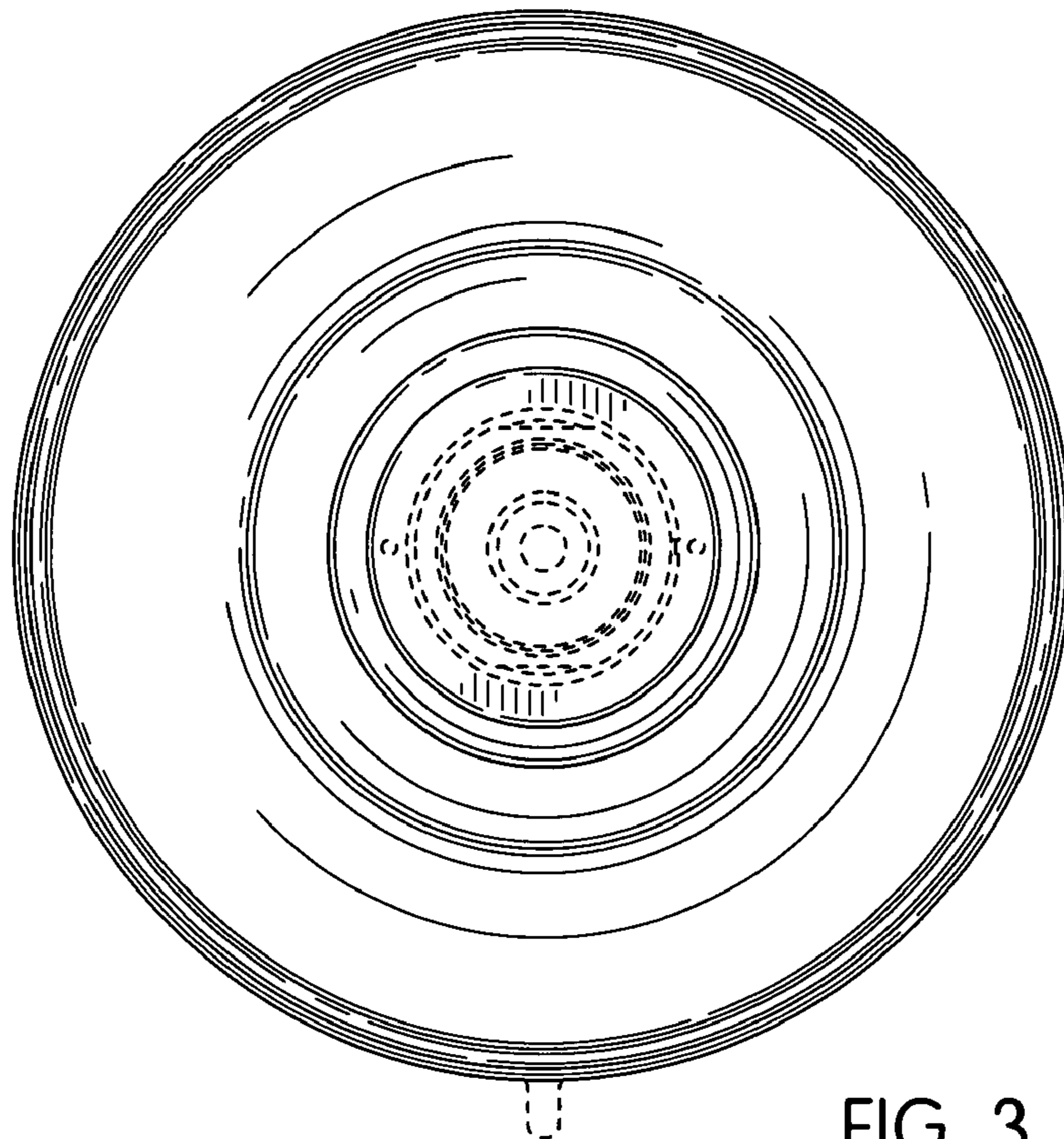


FIG. 3

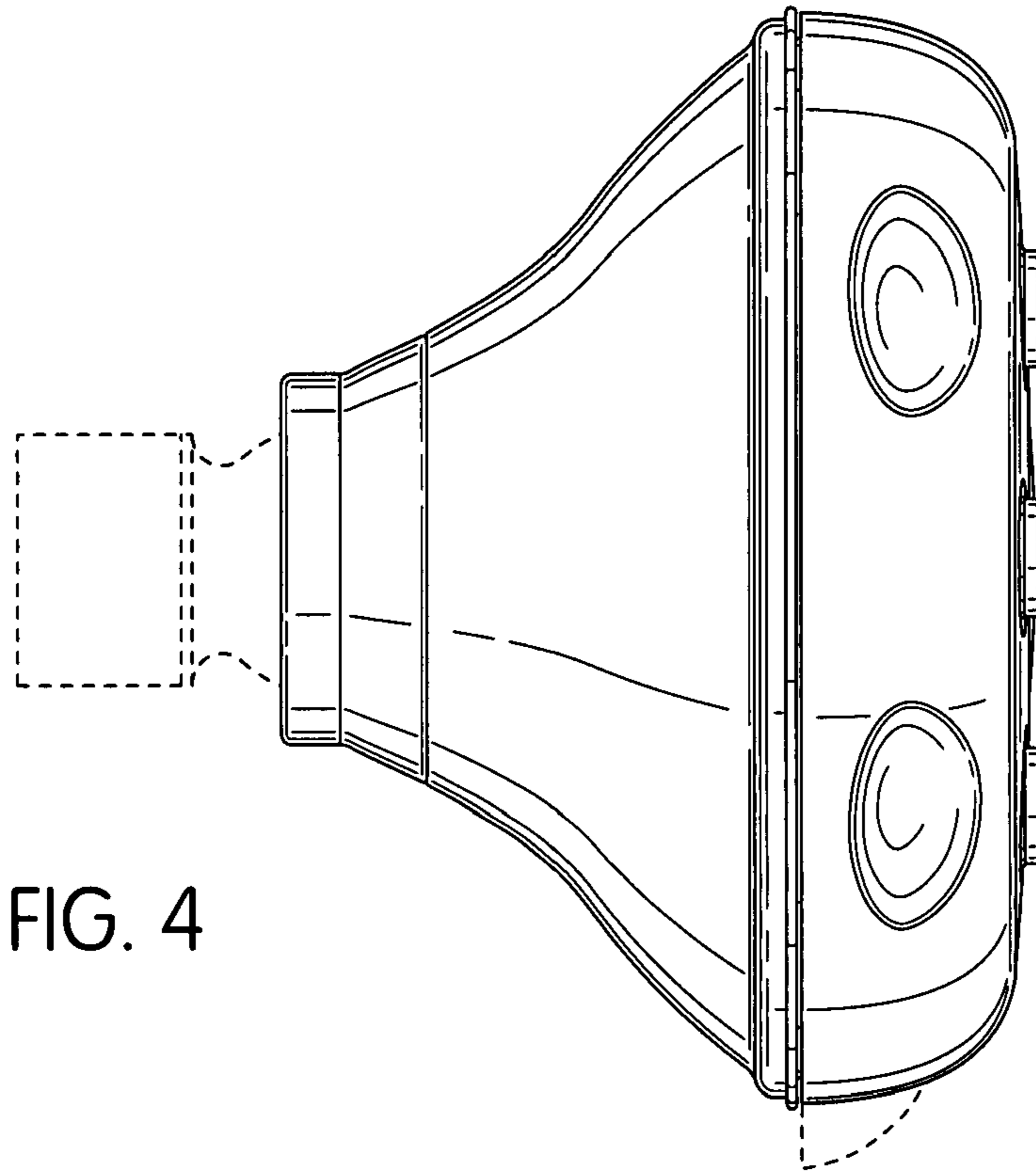


FIG. 4

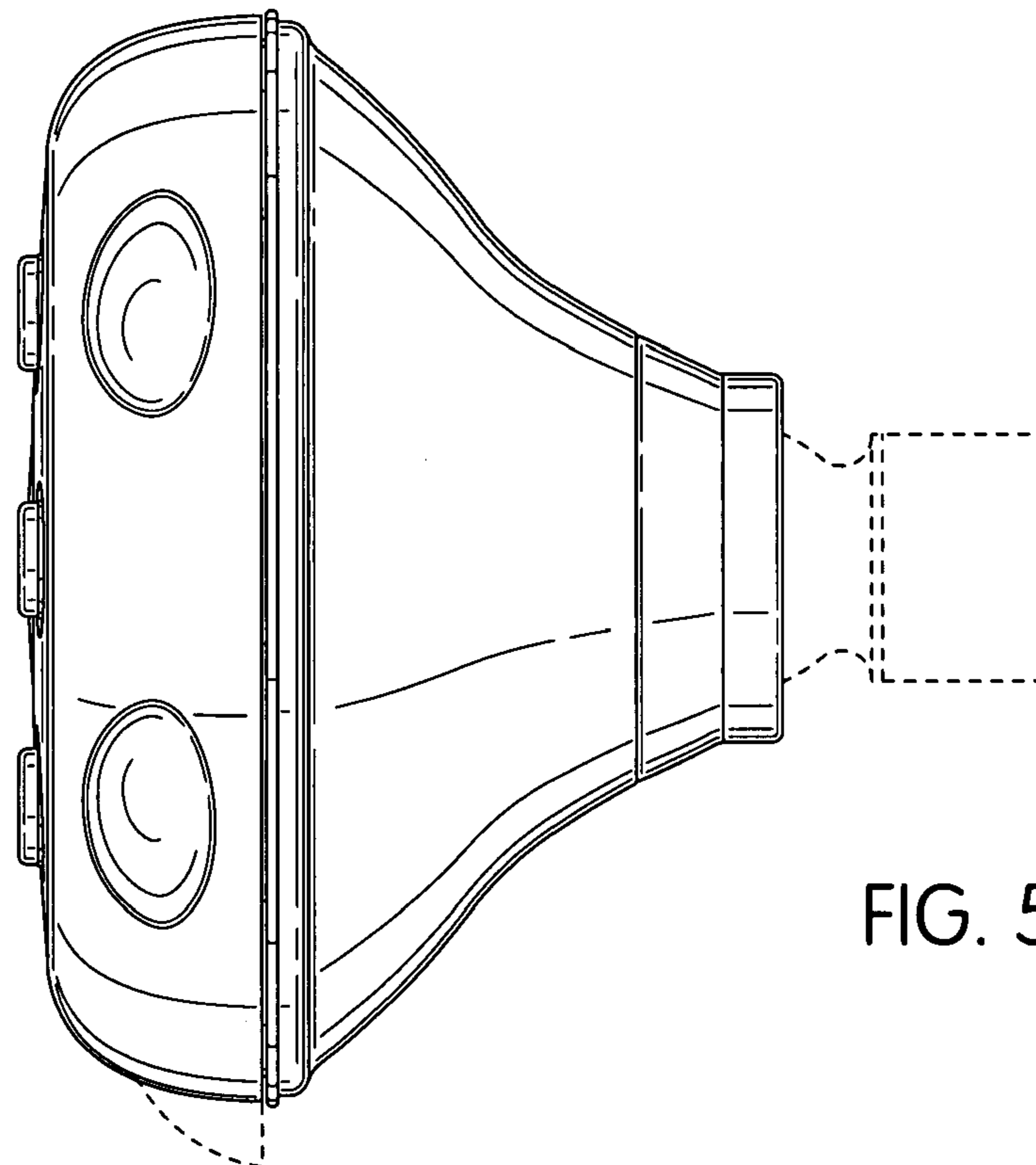


FIG. 5

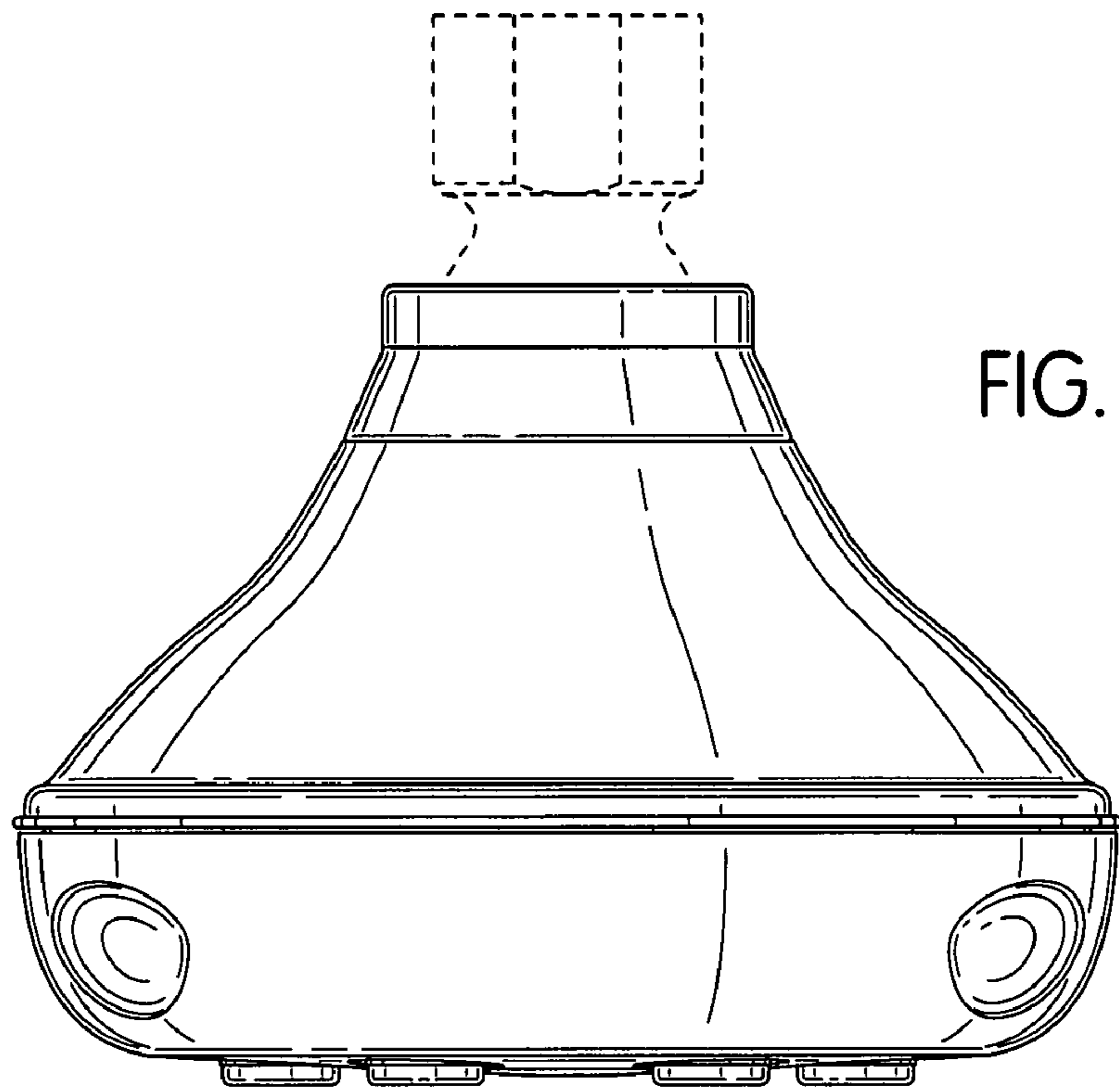


FIG. 6

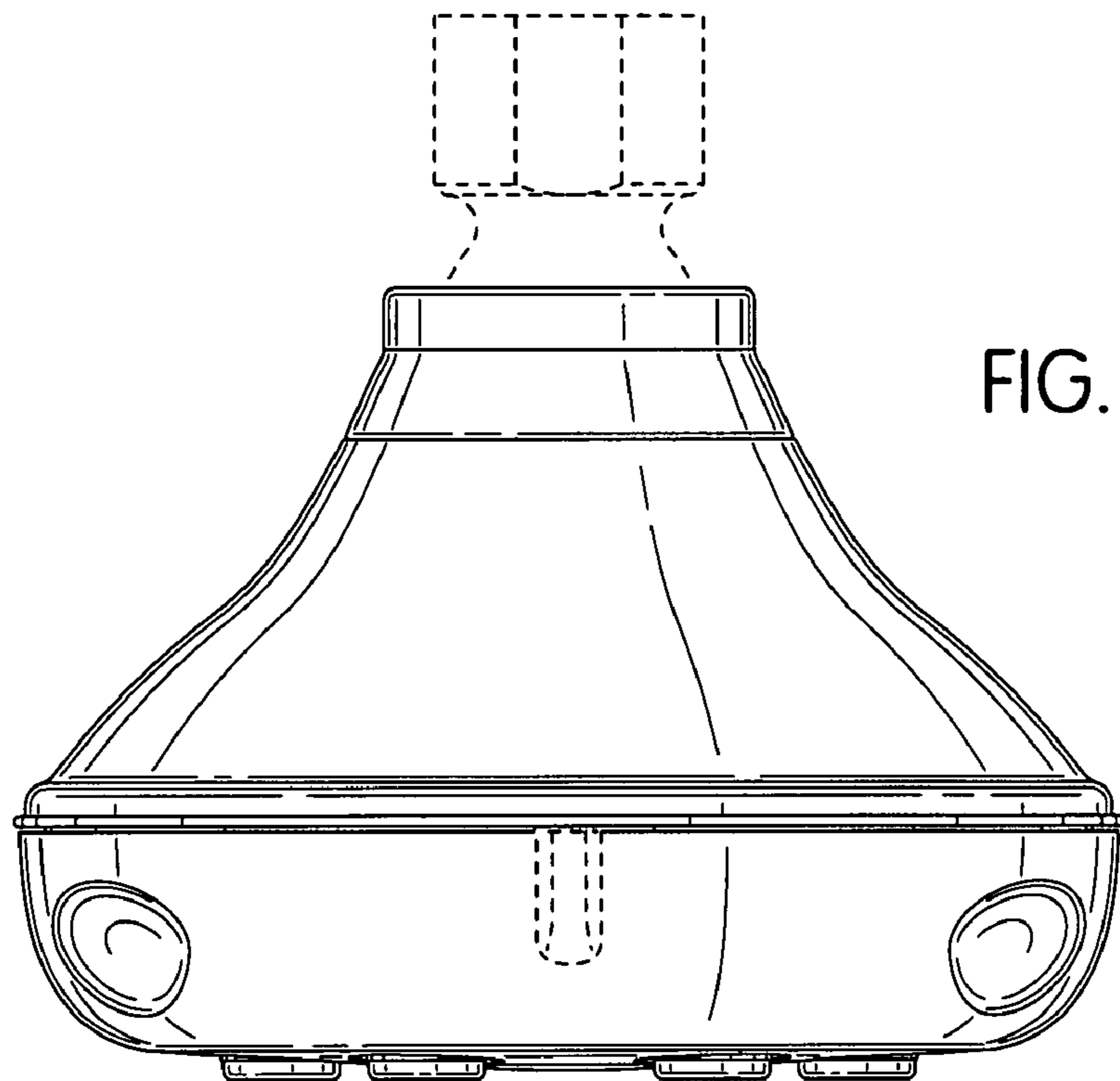


FIG. 7