

US00D566230S

(12) **United States Design Patent**  
**Causby et al.**

(10) **Patent No.:** **US D566,230 S**

(45) **Date of Patent:** **\*\* Apr. 8, 2008**

(54) **DRIPPER**

(75) Inventors: **Lyll Causby**, Mile End (AU); **Robert Sigston**, Mile End (AU); **David Bevan Creed**, Mile End (AU)

(73) Assignee: **Antelco Pty. Ltd.**, South Australia (AU)

(\*\*) Term: **14 Years**

(21) Appl. No.: **29/286,259**

(22) Filed: **Apr. 30, 2007**

(30) **Foreign Application Priority Data**

Nov. 1, 2006 (AU) ..... 312048

(51) **LOC (8) Cl.** ..... **23-01**

(52) **U.S. Cl.** ..... **D23/214**

(58) **Field of Classification Search** ..... D23/213,  
D23/214; 239/542, 547; 47/79

See application file for complete search history.

(56) **References Cited**

**U.S. PATENT DOCUMENTS**

3,815,831 A \* 6/1974 Jooste ..... 239/498

4,682,730 A \* 7/1987 Smeyers ..... 239/109  
5,031,837 A \* 7/1991 Hanish ..... 239/267  
5,820,028 A \* 10/1998 Dinur ..... 239/542  
D475,434 S \* 6/2003 Abbott ..... D23/214  
D487,299 S \* 3/2004 Clivio ..... D23/213

\* cited by examiner

*Primary Examiner*—Robin V Webster

(74) *Attorney, Agent, or Firm*—Olson & Cepuritis, Ltd.

(57) **CLAIM**

The ornamental design for a dripper, as shown and described.

**DESCRIPTION**

FIG. 1 is a perspective view of a dripper (for a watering system) showing our new design;

FIG. 2 is a right side view thereof;

FIG. 3 is a top view thereof;

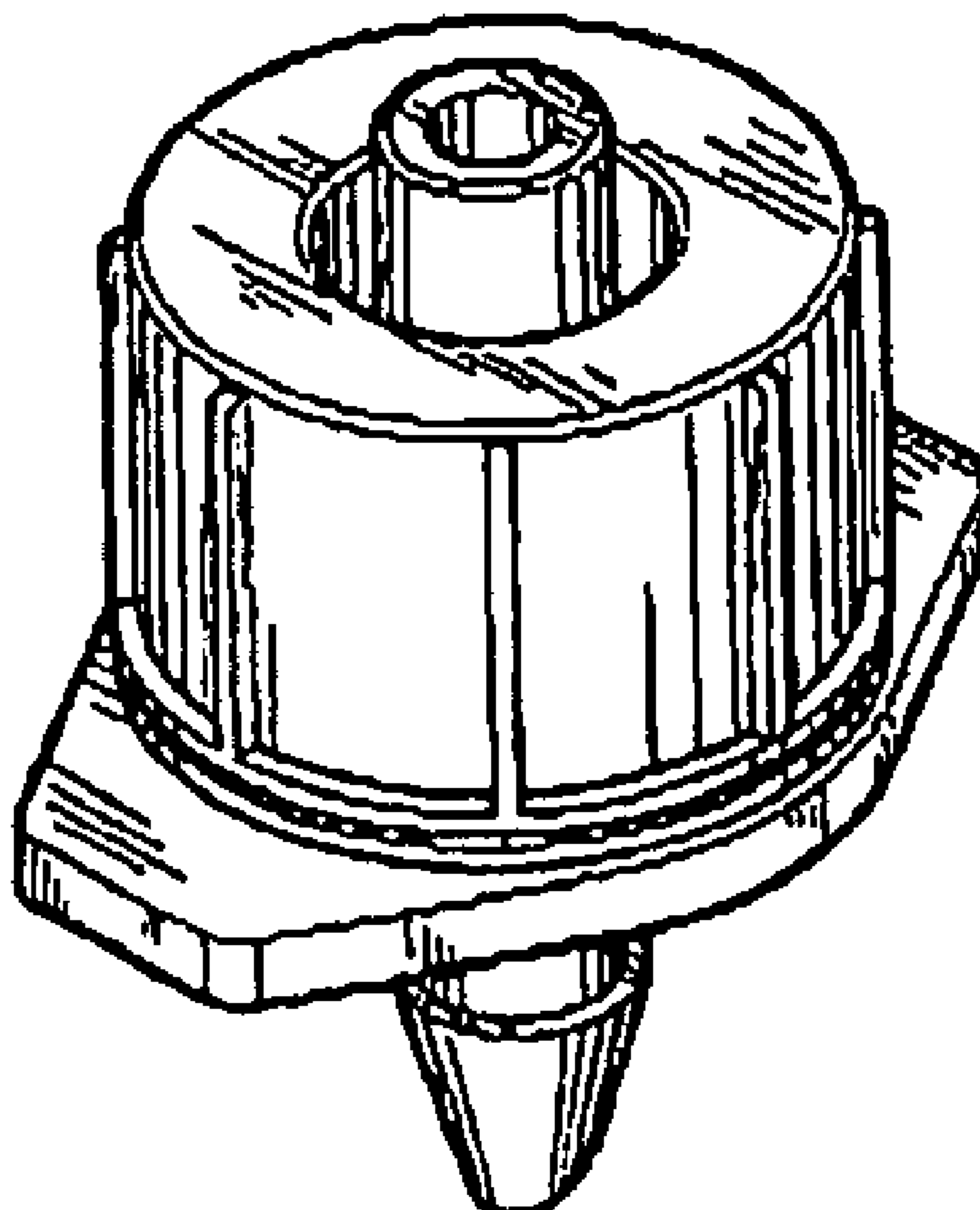
FIG. 4 is a left side view thereof;

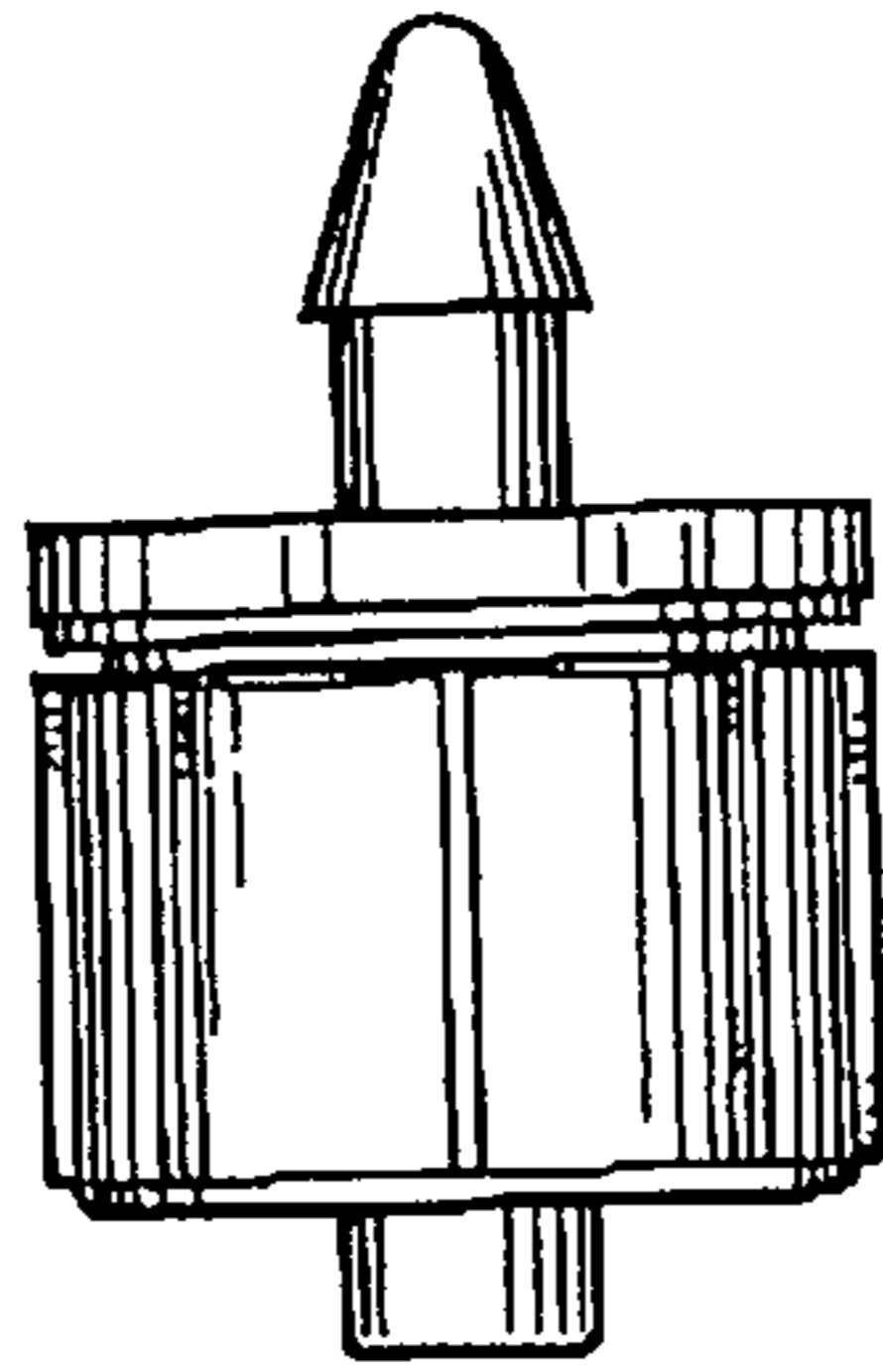
FIG. 5 is a front view thereof;

FIG. 6 is a rear view thereof; and,

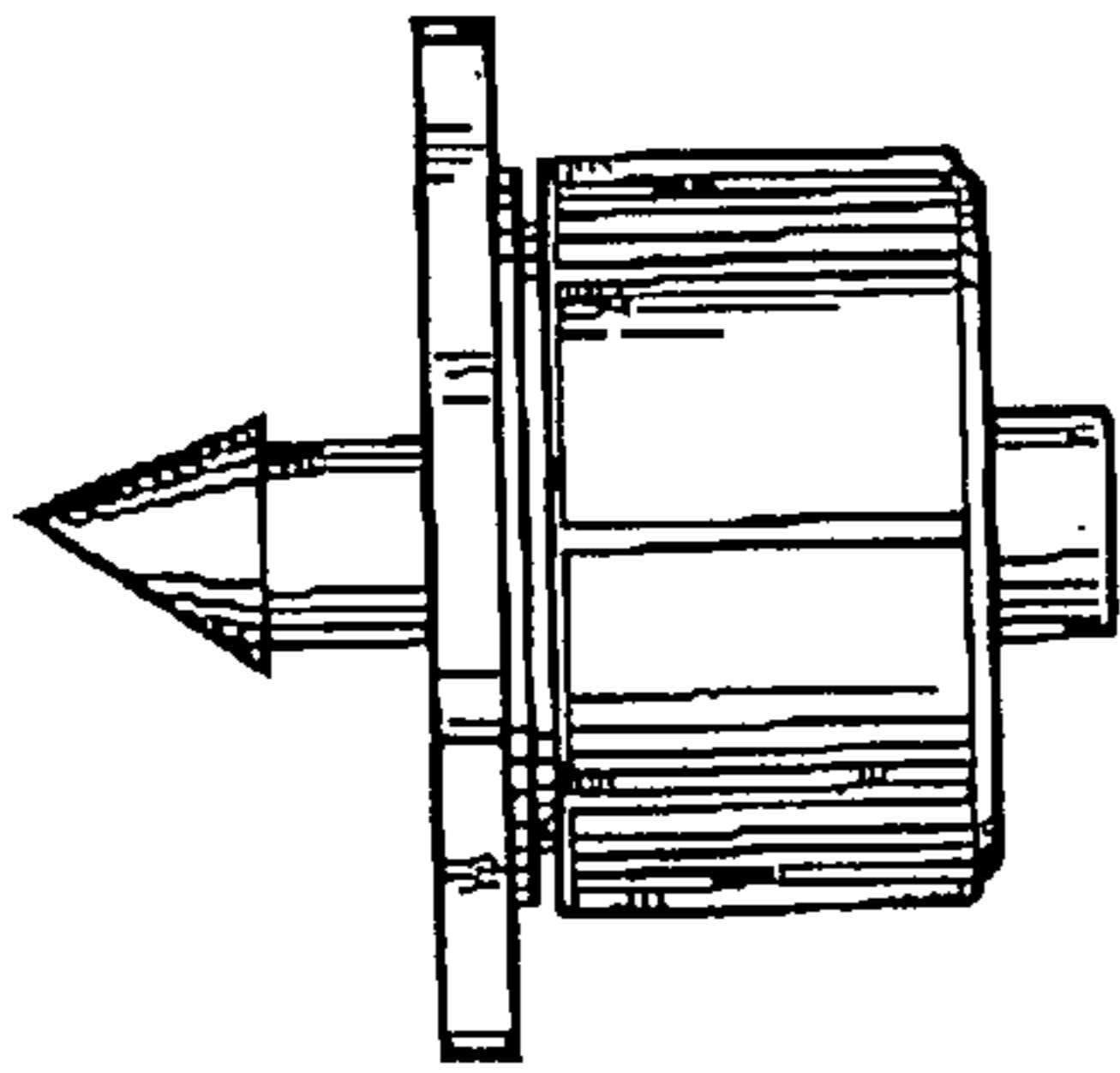
FIG. 7 is a bottom view thereof.

**1 Claim, 1 Drawing Sheet**

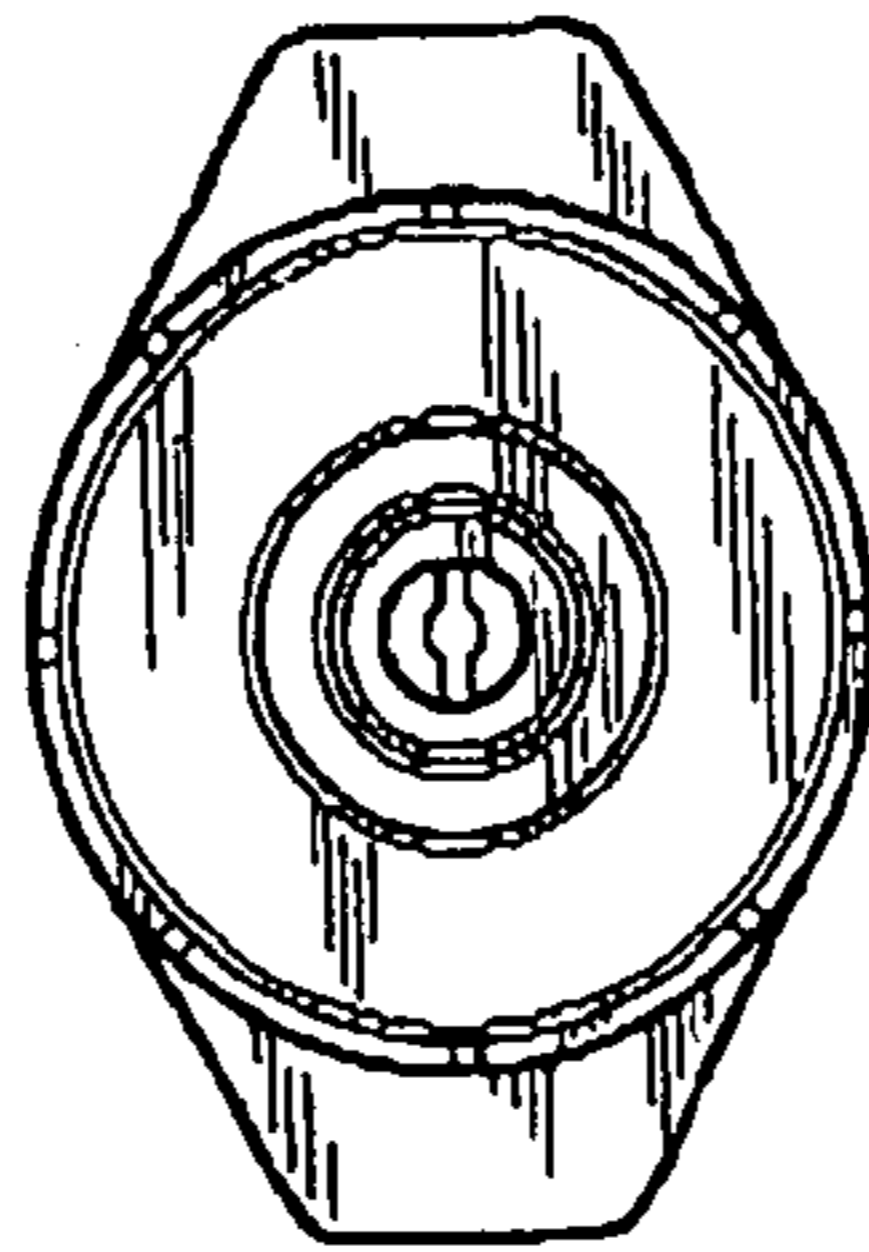




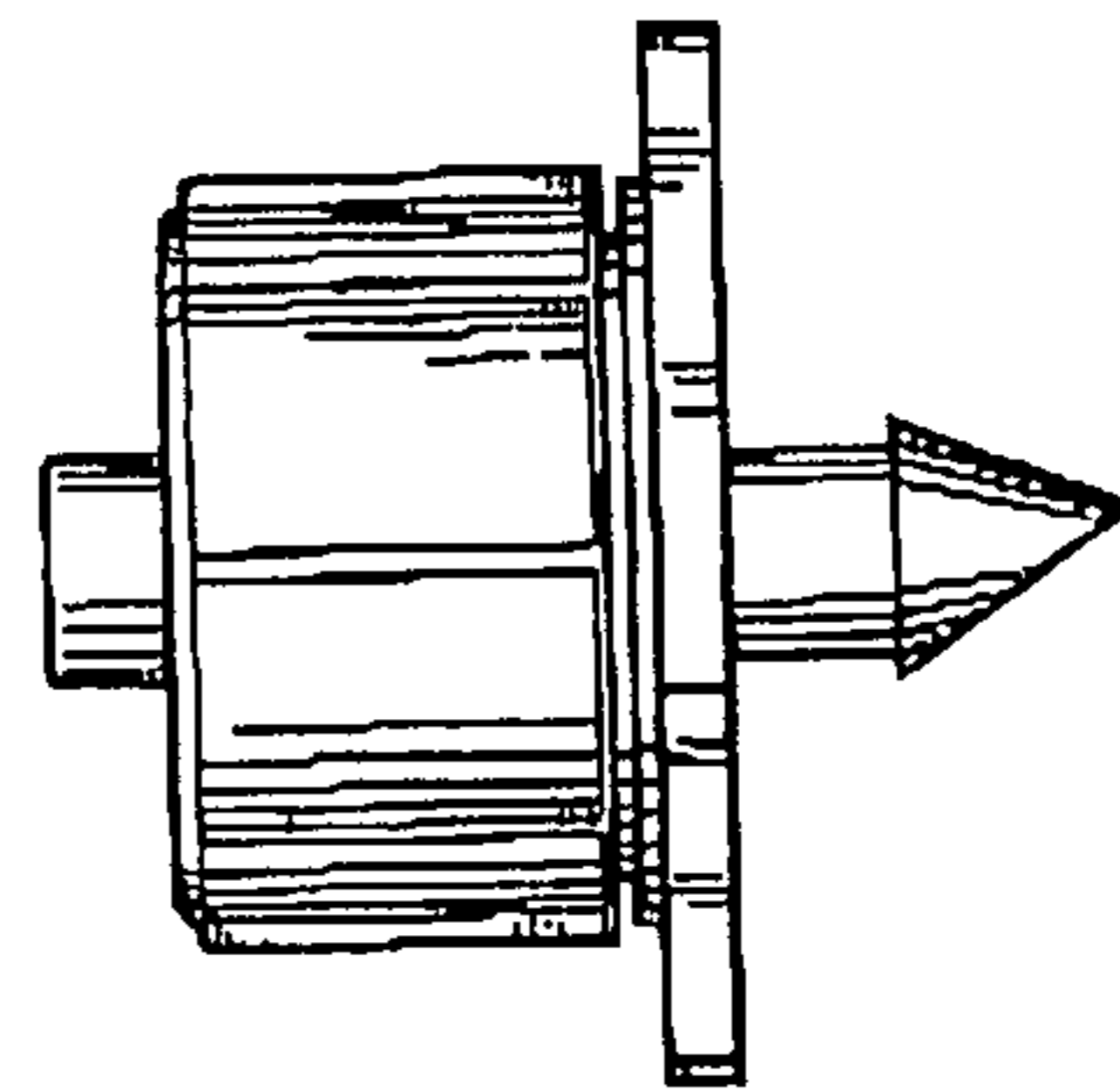
*Fig 6*



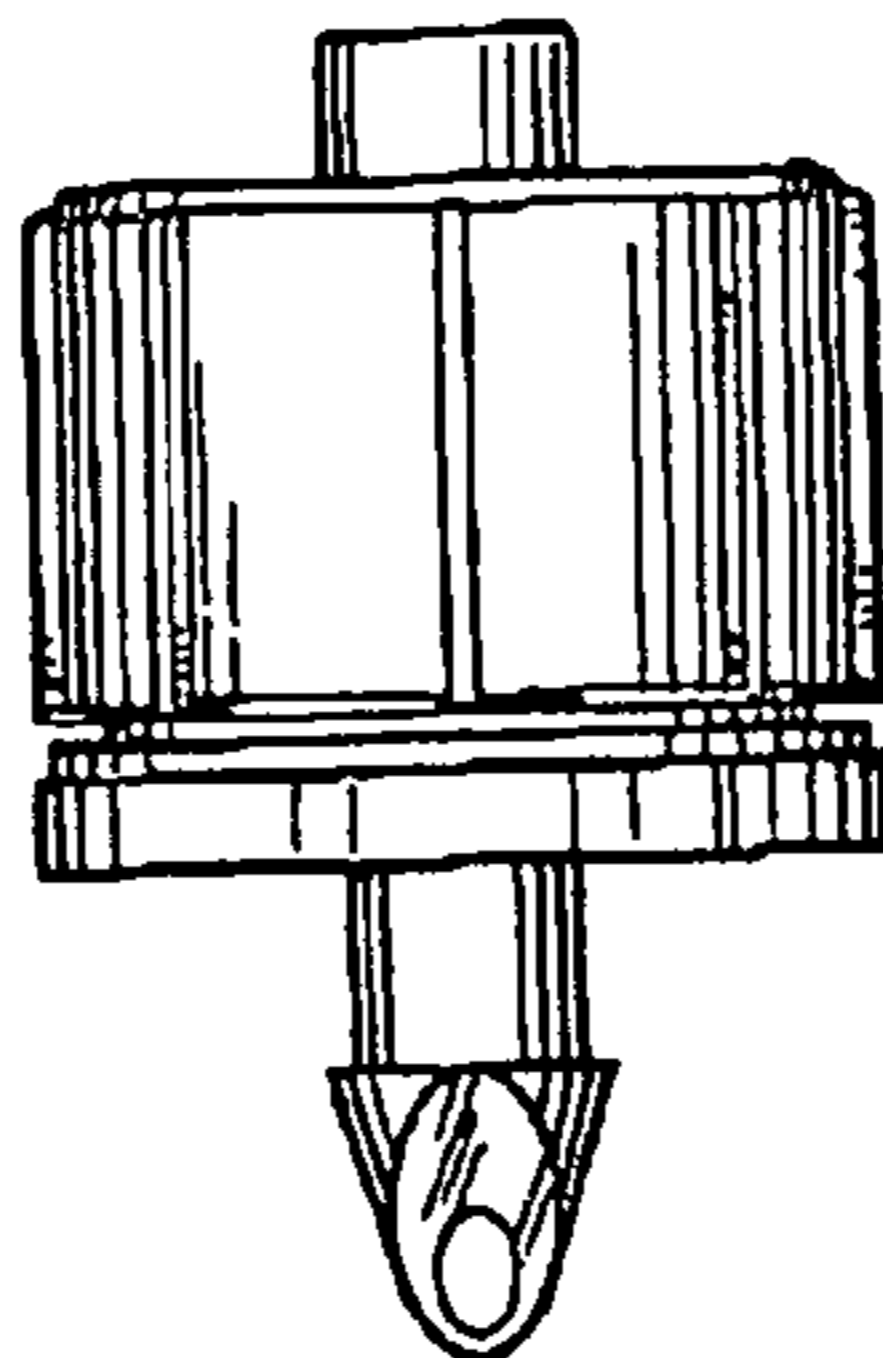
*Fig 2*



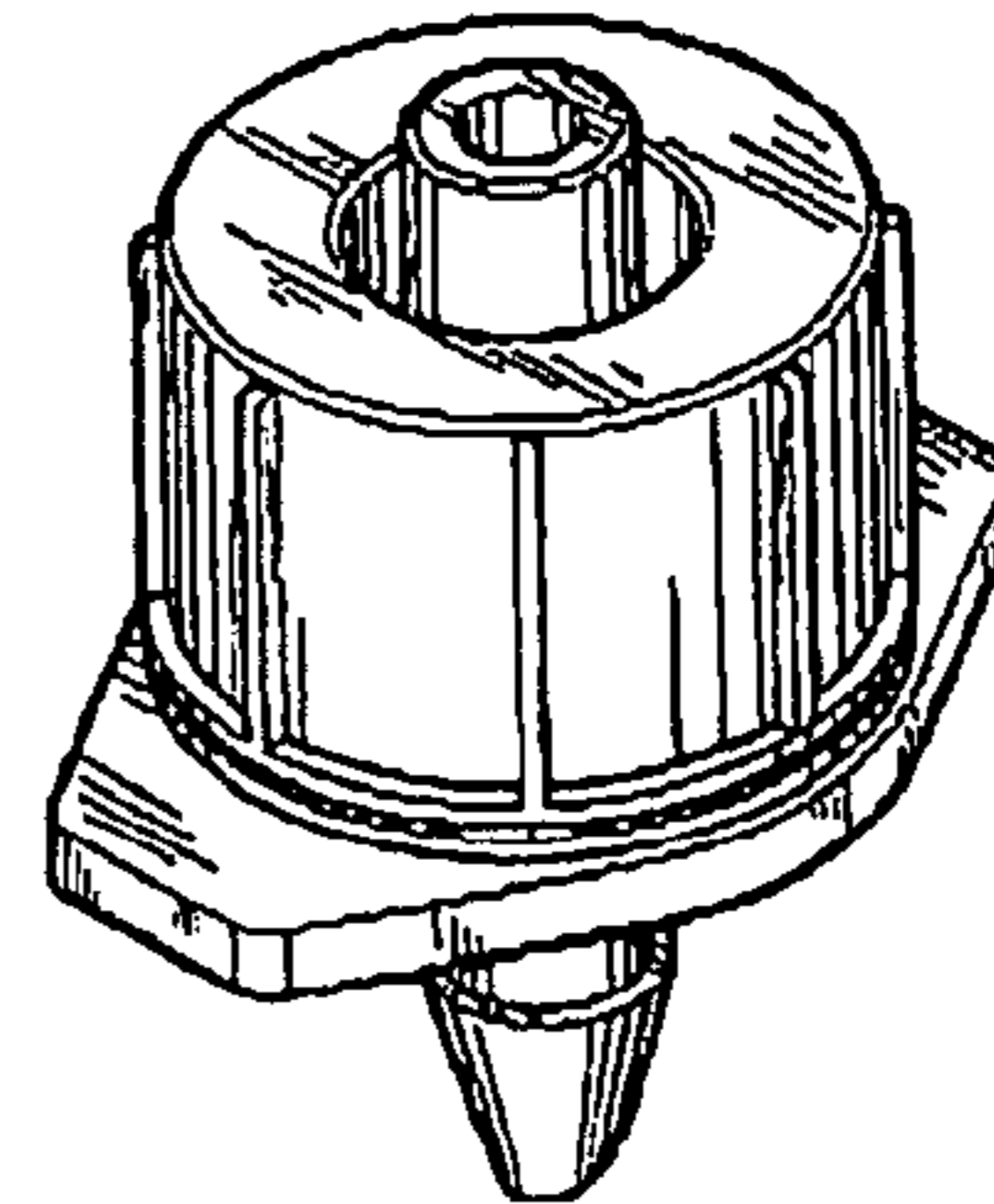
*Fig 3*



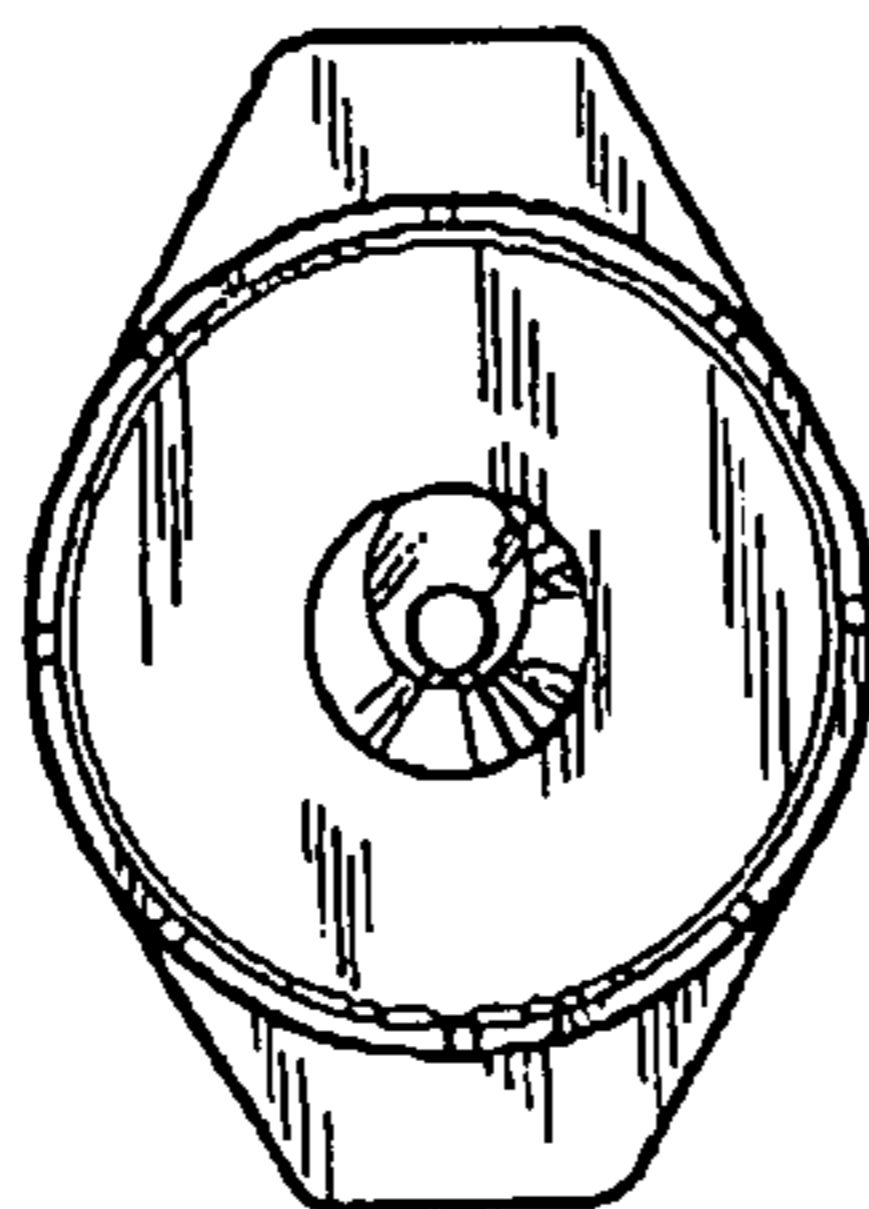
*Fig 4*



*Fig 5*



*Fig 1*



*Fig 7*

UNITED STATES PATENT AND TRADEMARK OFFICE  
**CERTIFICATE OF CORRECTION**

PATENT NO. : Des. 566,230 S  
APPLICATION NO. : 29/286259  
DATED : April 8, 2008  
INVENTOR(S) : Lyall Causby, Robert Sigston and David Bevan Creed

Page 1 of 1

It is certified that error appears in the above-identified patent and that said Letters Patent is hereby corrected as shown below:

Please correct Title Page, the Claims Section by inserting --substantially-- after  
“dripper”

Signed and Sealed this

Fifth Day of August, 2008

A handwritten signature in black ink that reads "Jon W. Dudas". The signature is written in a cursive style with a large, looped initial "J".

JON W. DUDAS

*Director of the United States Patent and Trademark Office*