



US00D566228S

(12) **United States Design Patent**
Neagoe

(10) **Patent No.:** **US D566,228 S**
(45) **Date of Patent:** **** Apr. 8, 2008**

(54) **SHOWER**

(75) Inventor: **Alexandru Neagoe**, Hockessin, DE
(US)

(73) Assignee: **Speakman Company**, New Castle, DE
(US)

(**) Term: **14 Years**

(21) Appl. No.: **29/277,771**

(22) Filed: **Mar. 9, 2007**

(51) **LOC (8) Cl.** **23-01**

(52) **U.S. Cl.** **D23/213**

(58) **Field of Classification Search** D23/213,
D23/223, 226; 239/394, 462, 282-3; 4/615
See application file for complete search history.

(56) **References Cited**

U.S. PATENT DOCUMENTS

D297,160 S *	8/1988	Robbins	D23/213
5,918,811 A	7/1999	Denham et al.		
D423,083 S	4/2000	Haug et al.		
D434,109 S	11/2000	Ko et al.		
D443,025 S	5/2001	Kollmann et al.		
D457,598 S	5/2002	Storti et al.		
D457,937 S	5/2002	Lindholm et al.		
D489,793 S	5/2004	Haug et al.		
D492,006 S	6/2004	Haug et al.		
D497,974 S	11/2004	Haug et al.		
D498,514 S	11/2004	Haug et al.		
D501,243 S *	1/2005	Blomstrom	D23/229
6,869,030 B2	3/2005	Blessing et al.		

7,055,767 B1	6/2006	Ko et al.		
D527,440 S *	8/2006	Macan	D23/213
D530,780 S *	10/2006	Shao et al.	D23/213
D531,262 S *	10/2006	Tse	D23/213
D532,076 S *	11/2006	Mazzola	D23/213
2005/0284967 A1	12/2005	Korb et al.		

* cited by examiner

Primary Examiner—Robin V Webster

(74) *Attorney, Agent, or Firm*—Connolly Bove Lodge & Hutz LLP

(57) **CLAIM**

The ornamental design for shower, as shown and described.

DESCRIPTION

FIG. 1 is a front perspective view of the shower showing my design;

FIG. 2 is a rear perspective view thereof;

FIG. 3 is a front plan view thereof;

FIG. 4 is a rear plan view thereof;

FIG. 5 is a left side elevational view thereof;

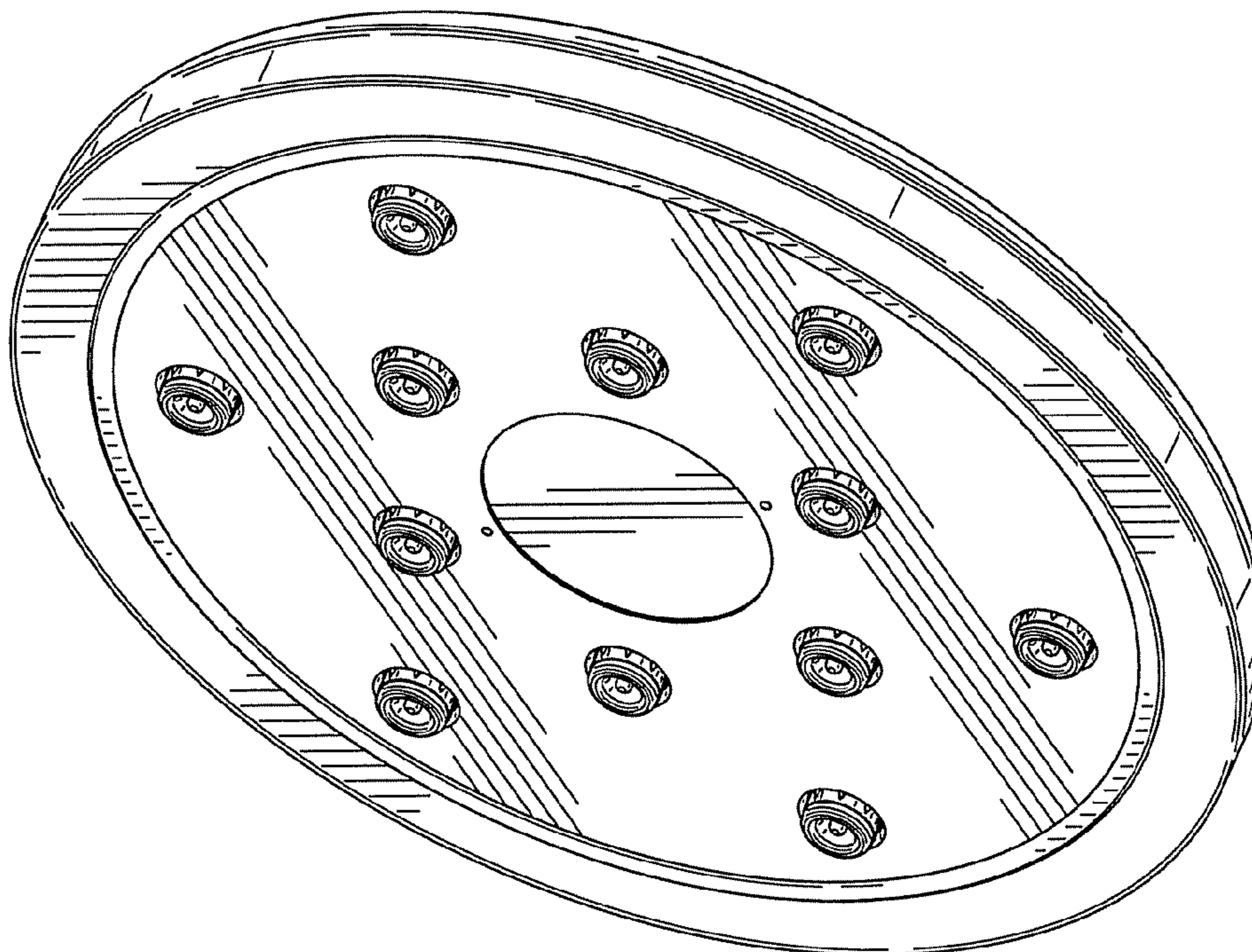
FIG. 6 is a right side elevational view thereof;

FIG. 7 is a top elevational view thereof; and,

FIG. 8 is a bottom elevational view thereof.

The phantom line representations in FIGS. 2, 4, 5-8 of the swivel connector, are for the purposes of illustration only, and form no part of the claimed design.

1 Claim, 6 Drawing Sheets



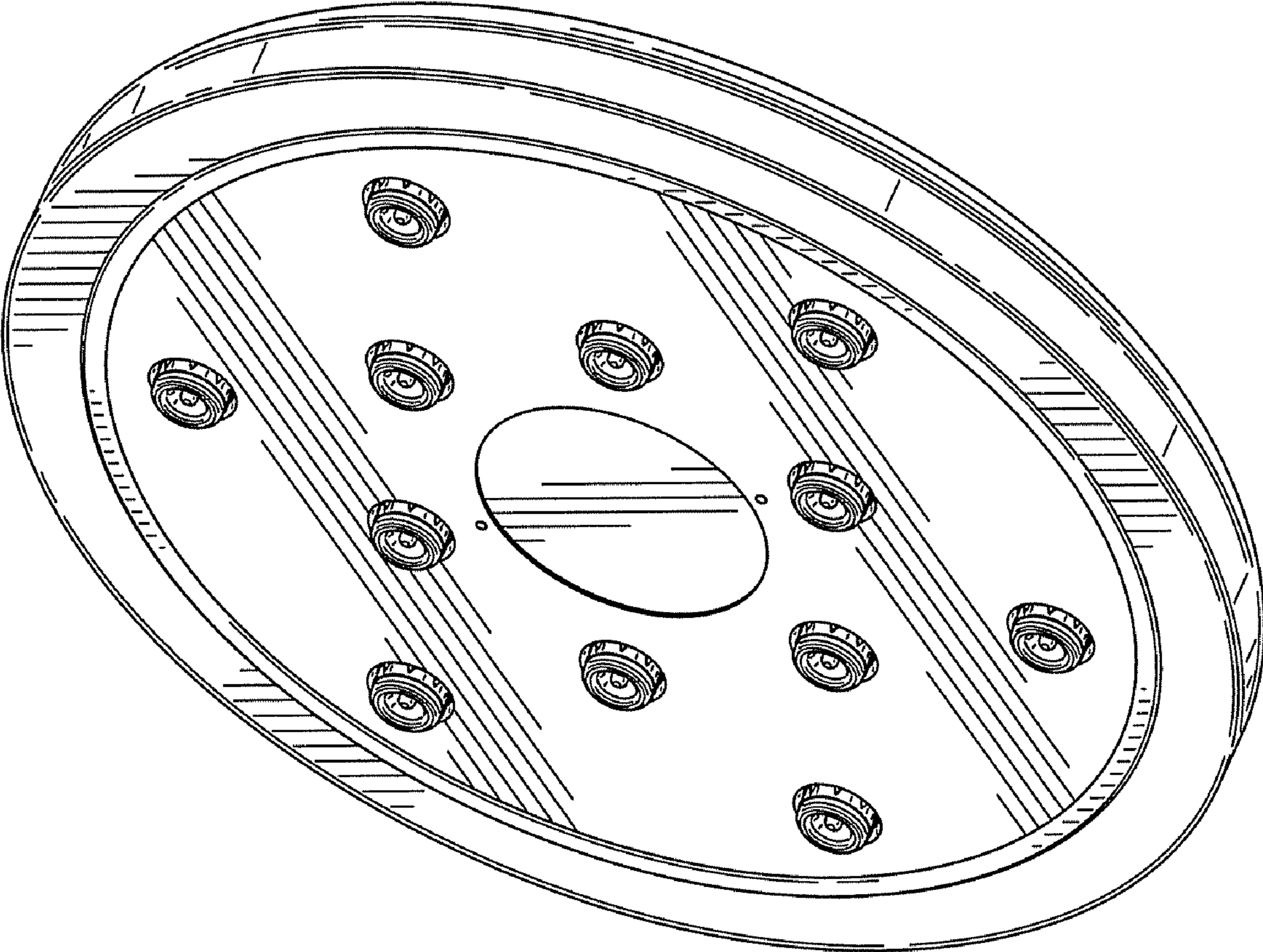


FIG. 1

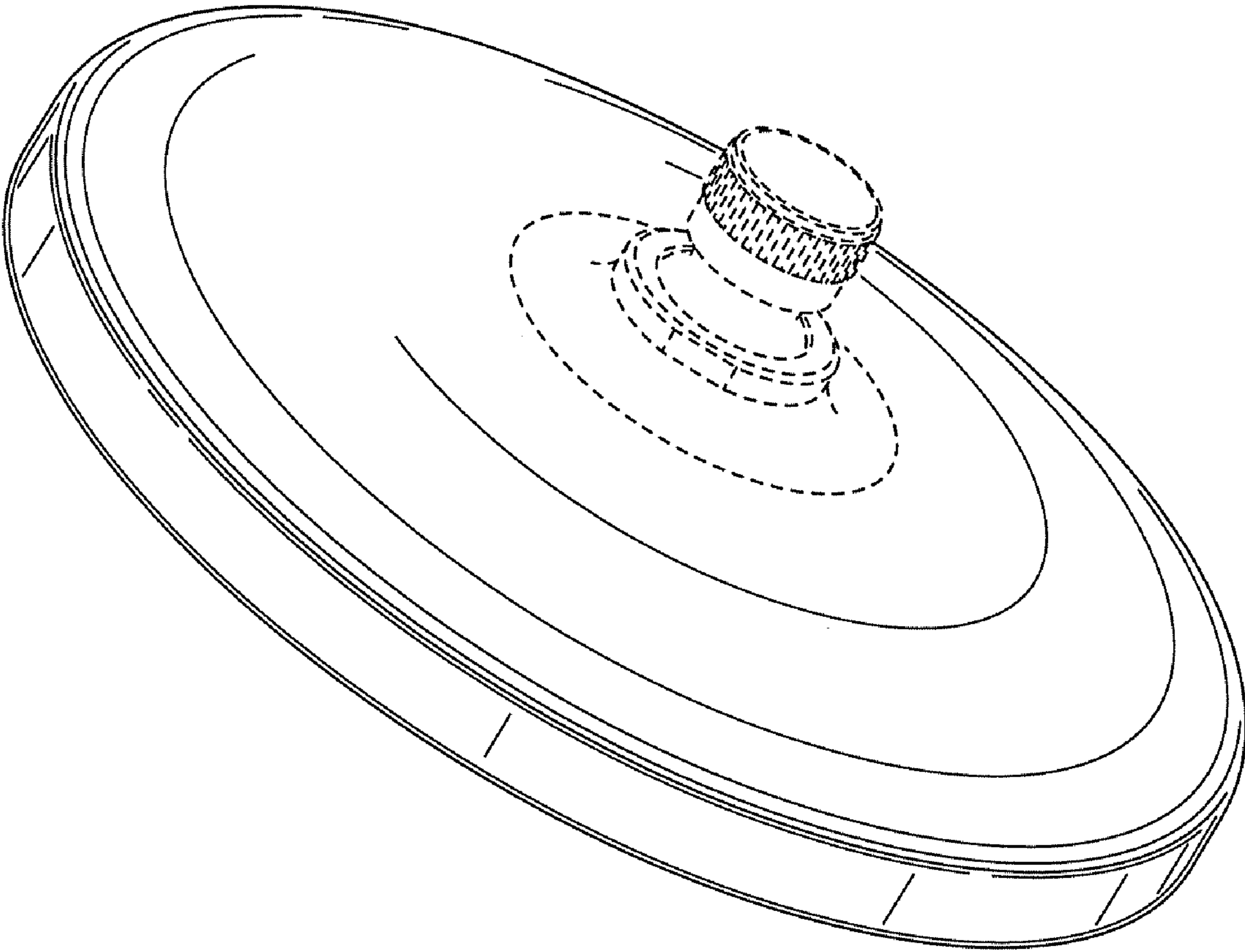


FIG. 2

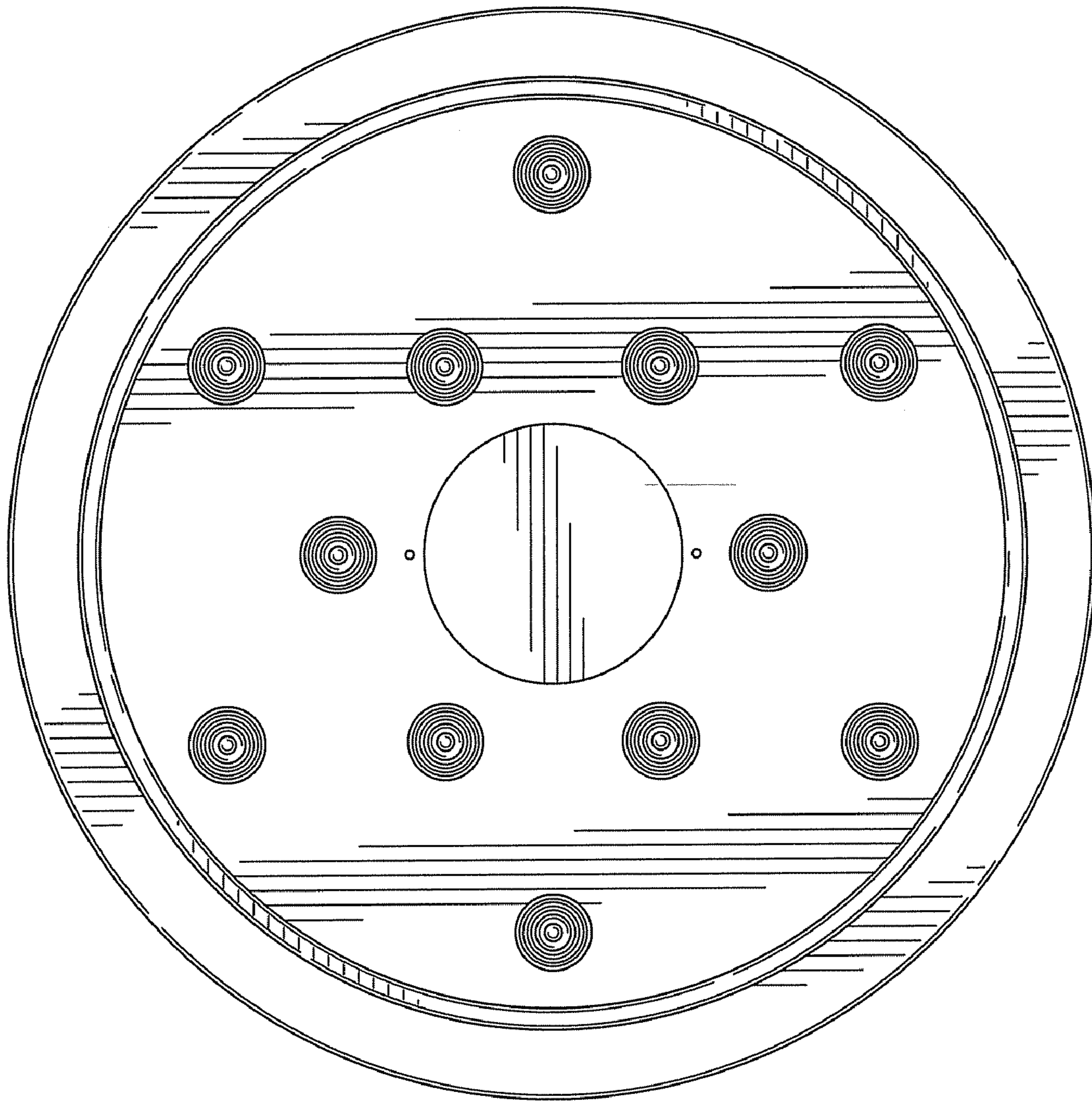


FIG. 3

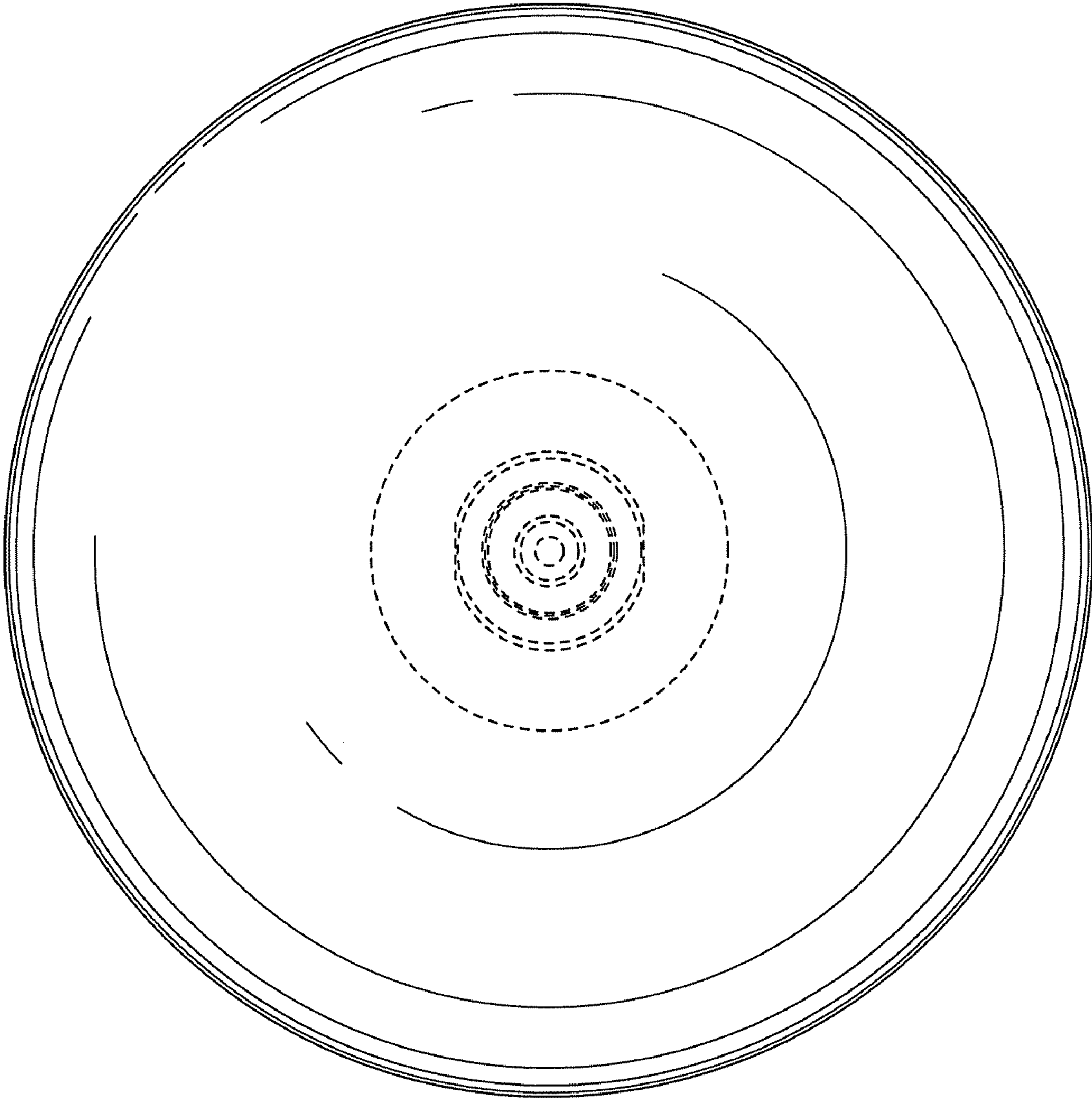


FIG. 4

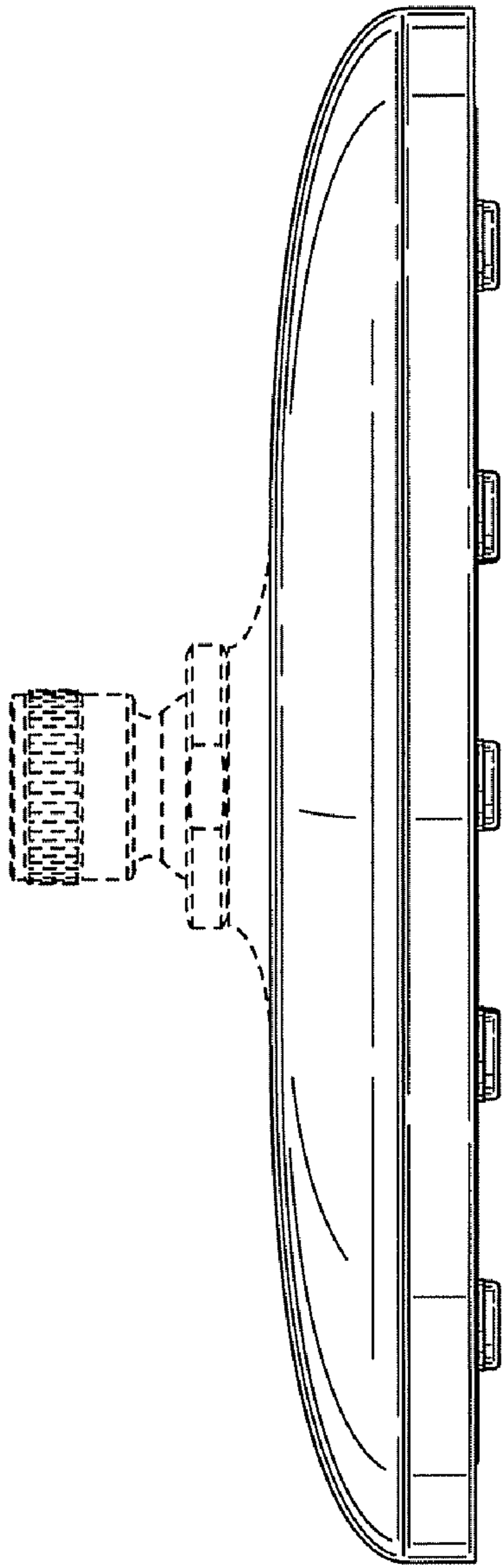


FIG. 5

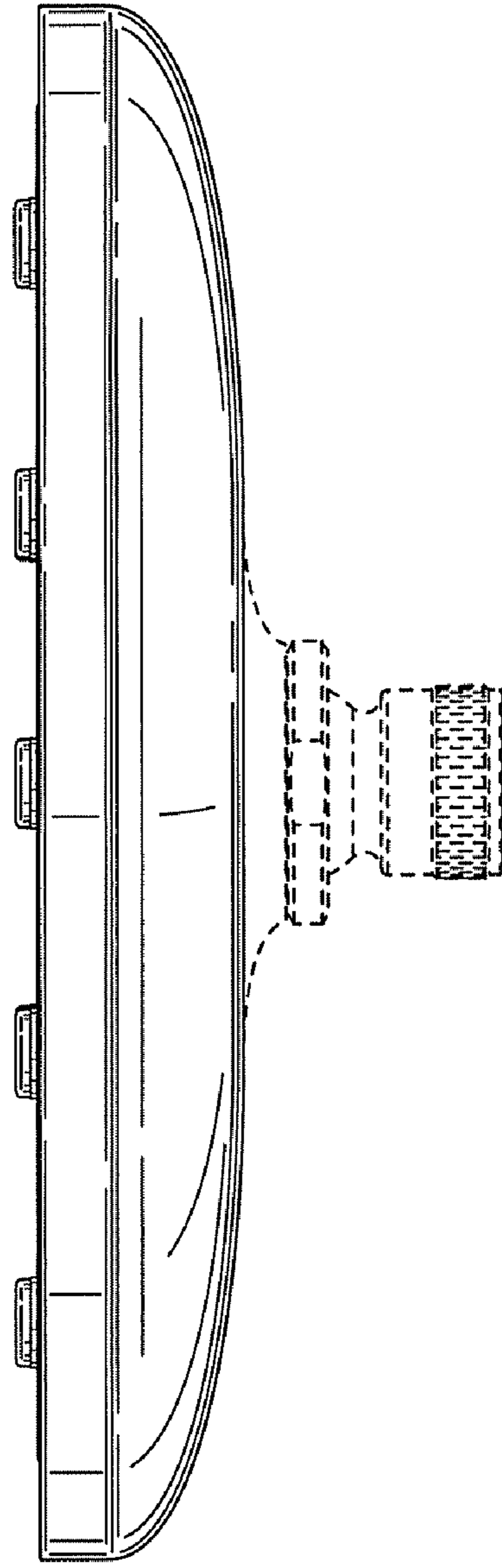


FIG. 6

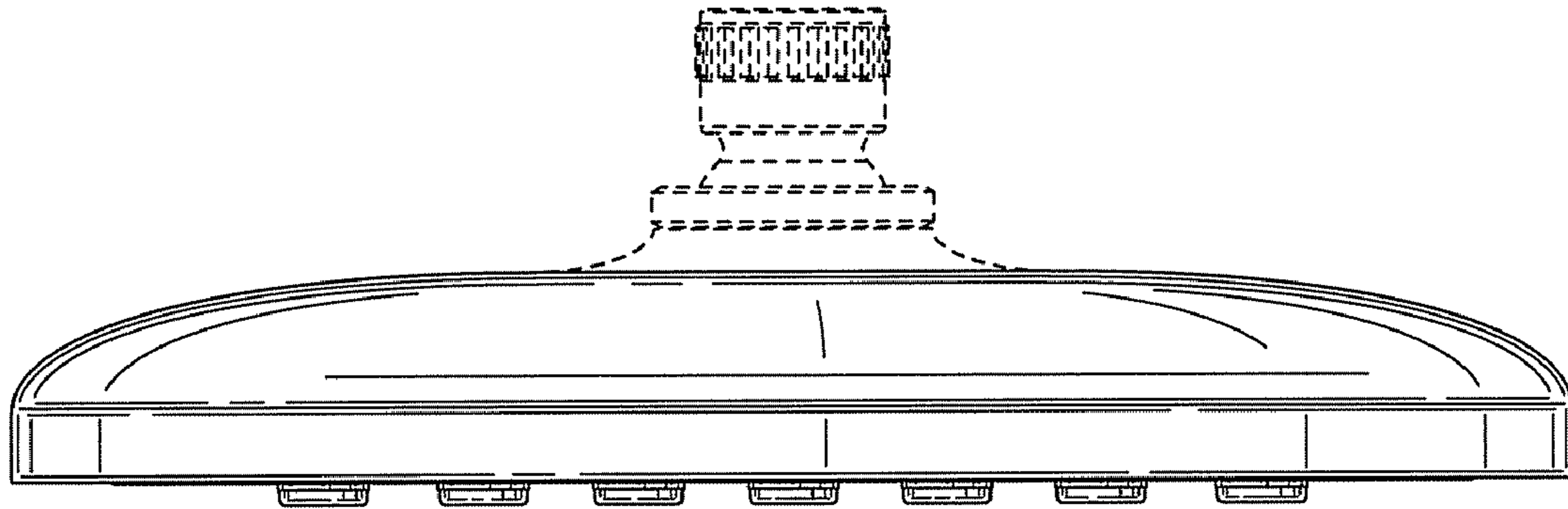


FIG. 7

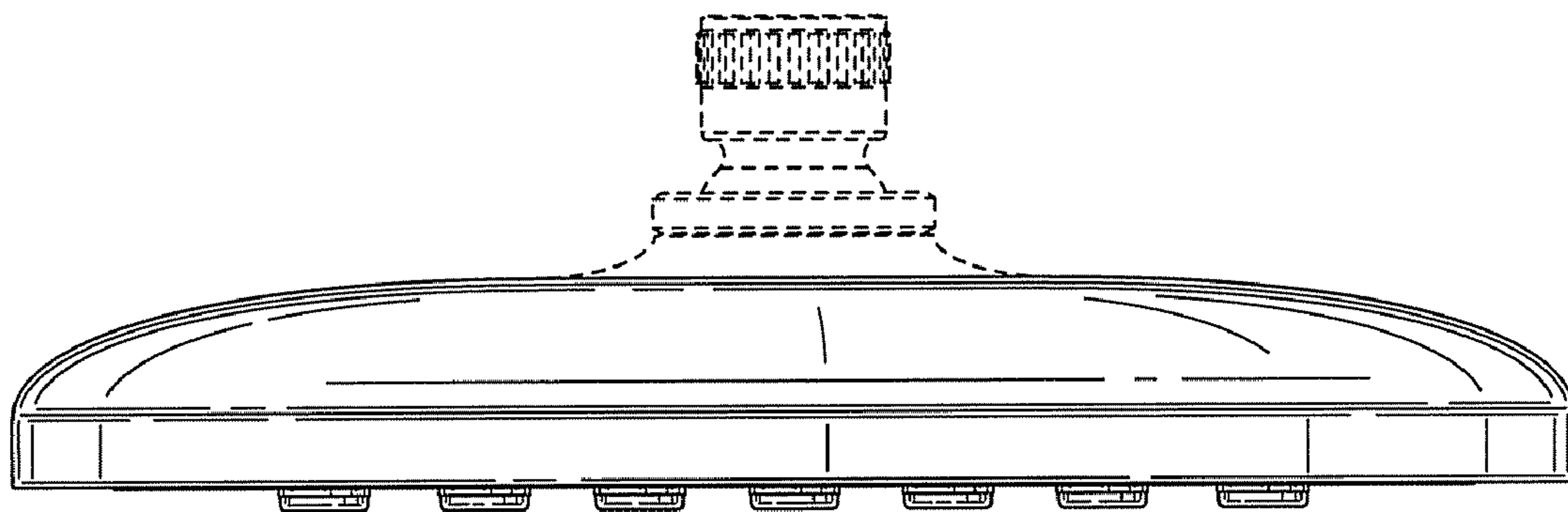


FIG. 8