



US00D566226S

(12) **United States Design Patent**
Berducat et al.

(10) **Patent No.:** **US D566,226 S**
(45) **Date of Patent:** **** Apr. 8, 2008**

(54) **ULTRAPURE WATER QUALITY POINT OF DELIVERY DISPENSER SUPPORT**

(75) Inventors: **Christian Berducat**, Saint Mande (FR); **Yves Gaignet**, Montigny le Bretonneux (FR); **Pascal Delahaie**, La Celle Saint Cloud (FR); **Francois Quirin**, Maudon (FR)

(73) Assignee: **Millipore Corporation**, Billerica, MA (US)

(**) Term: **14 Years**

(21) Appl. No.: **29/273,689**

(22) Filed: **Mar. 9, 2007**

(51) **LOC (8) Cl.** **23-01**

(52) **U.S. Cl.** **D23/207**

(58) **Field of Classification Search** D23/207,
D23/209; 210/418, 416.3, 249, 449
See application file for complete search history.

(56) **References Cited**

U.S. PATENT DOCUMENTS

814,261	A *	3/1906	Barrie	210/249
2,332,982	A *	10/1943	Blair	210/411
3,439,809	A *	4/1969	McPherran	210/249
5,487,833	A *	1/1996	Fife et al.	210/232
7,135,106	B2 *	11/2006	Marquis et al.	210/97

* cited by examiner

Primary Examiner—Robin V Webster

(74) *Attorney, Agent, or Firm*—Niels & Lemack

(57) **CLAIM**

The ornamental design for an ultrapure water quality point of delivery dispenser support, as shown.

DESCRIPTION

The support, to which a dispenser can be attached, is a remote, stand-alone dispenser for use with a water purification system.

FIG. 1 is a first perspective view of the ultrapure water quality point of delivery dispenser support;

FIG. 2 is a second perspective view of the ultrapure water quality point of delivery dispenser support;

FIG. 3 is a front view of the ultrapure water quality point of delivery dispenser support;

FIG. 4 is a rear view of the ultrapure water quality point of delivery dispenser support;

FIG. 5 is a first side view of the ultrapure water quality point of delivery dispenser support;

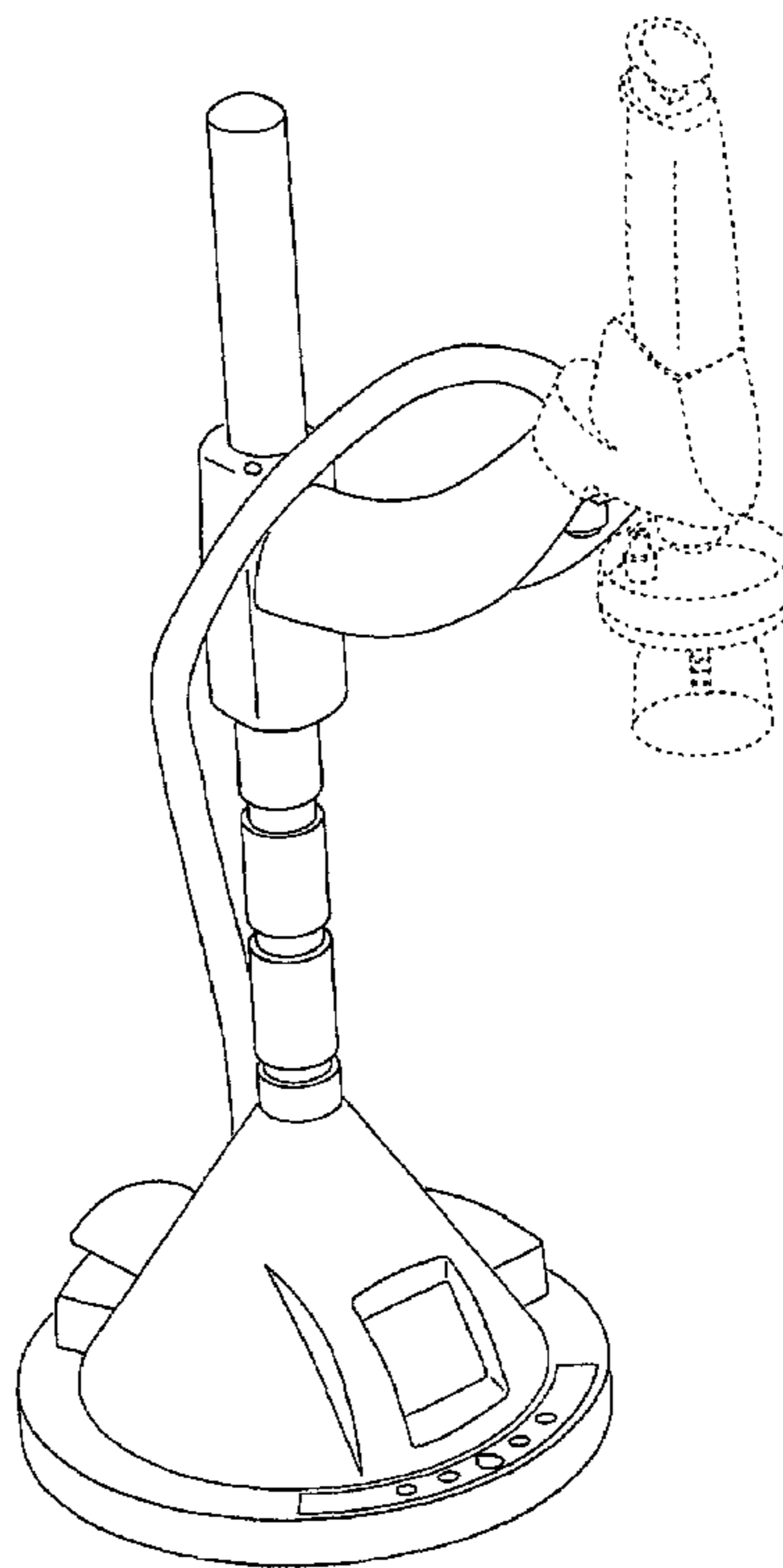
FIG. 6 is a second side view of the ultrapure water quality point of delivery dispenser support;

FIG. 7 is a top view of the ultrapure water quality point of delivery dispenser support; and

FIG. 8 is a bottom view of the ultrapure water quality point of delivery dispenser support.

The broken line showing is included for the purpose of illustrating and forms no part of the claimed design.

1 Claim, 8 Drawing Sheets



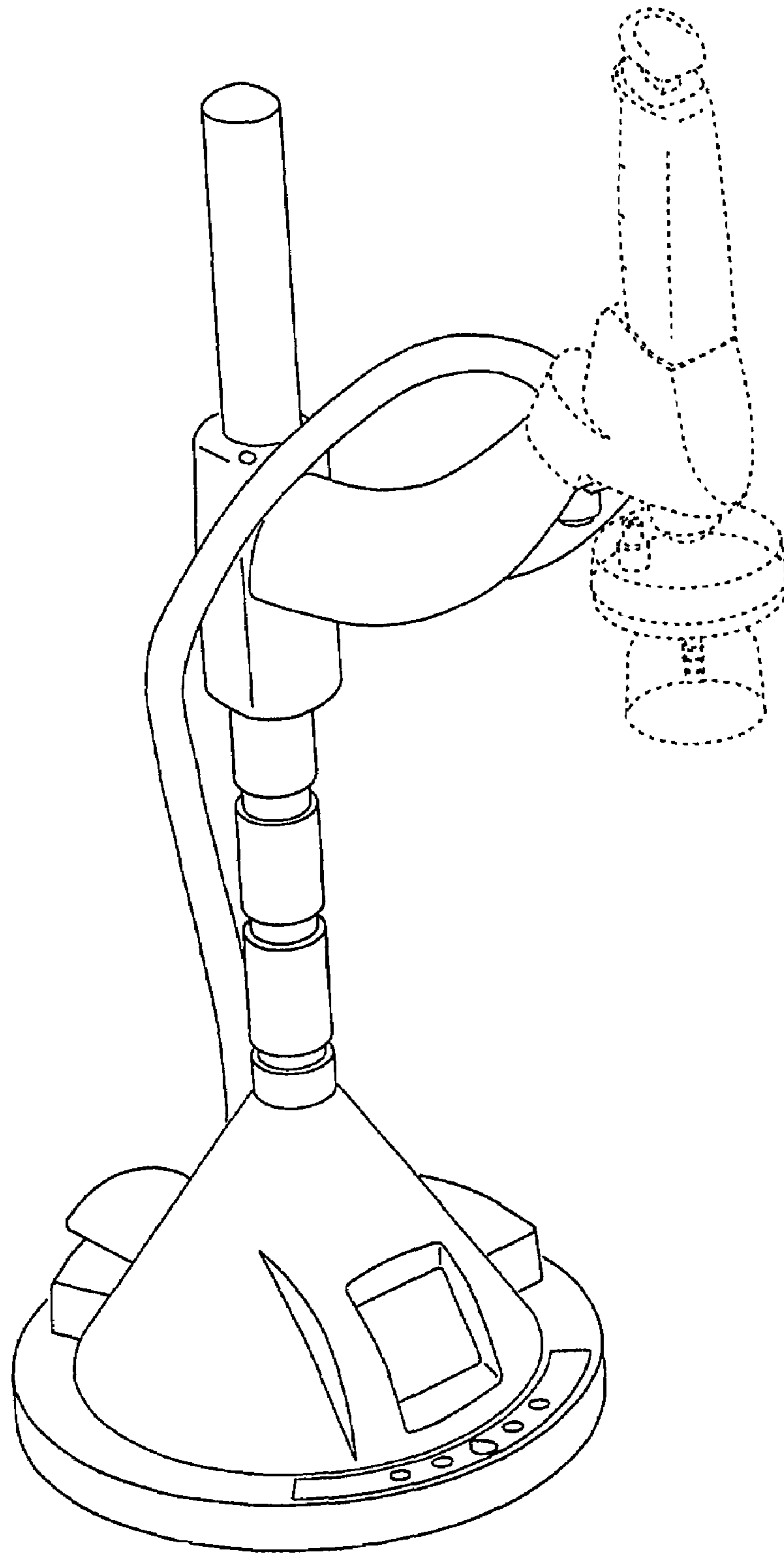


Figure 1

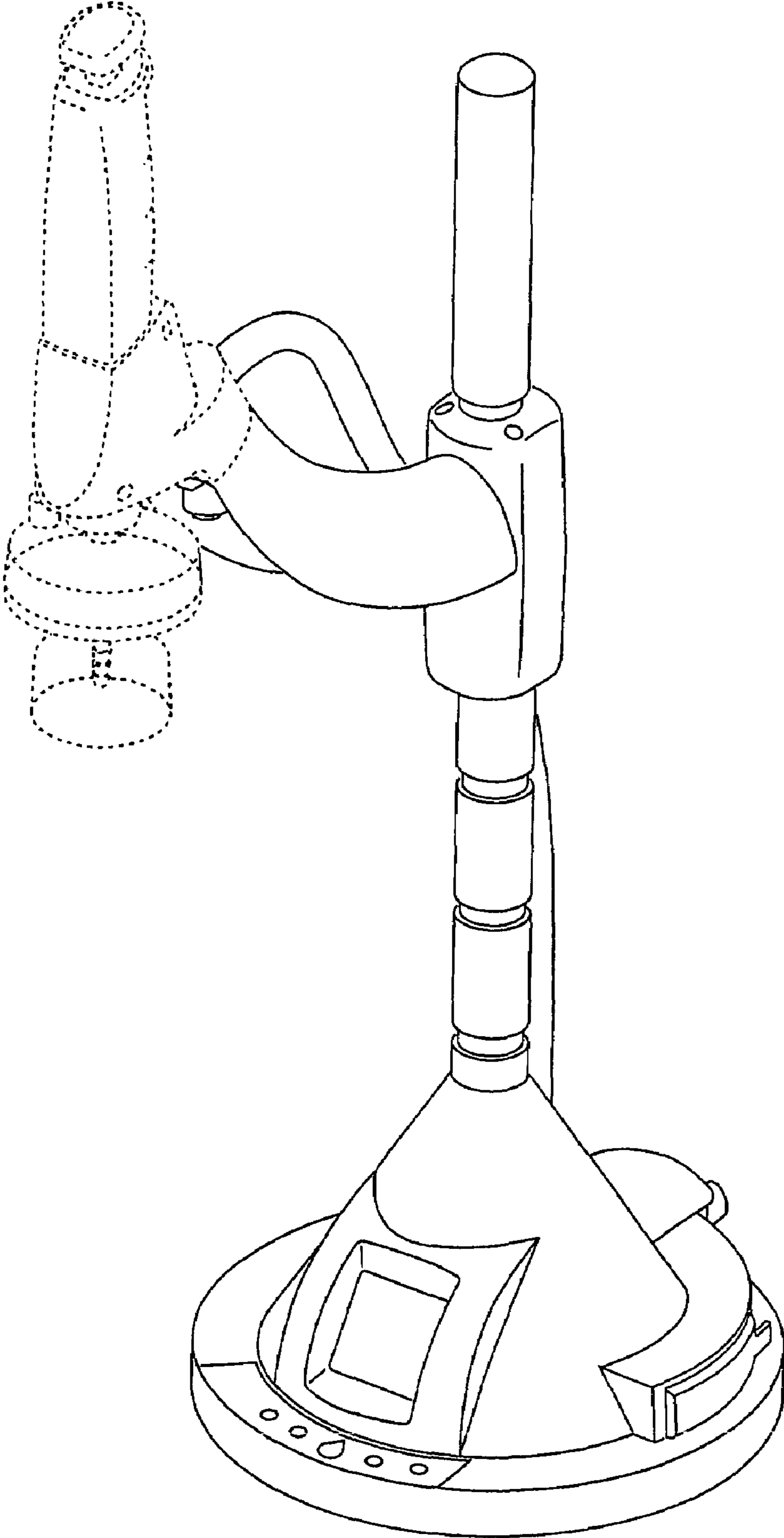


Figure 2

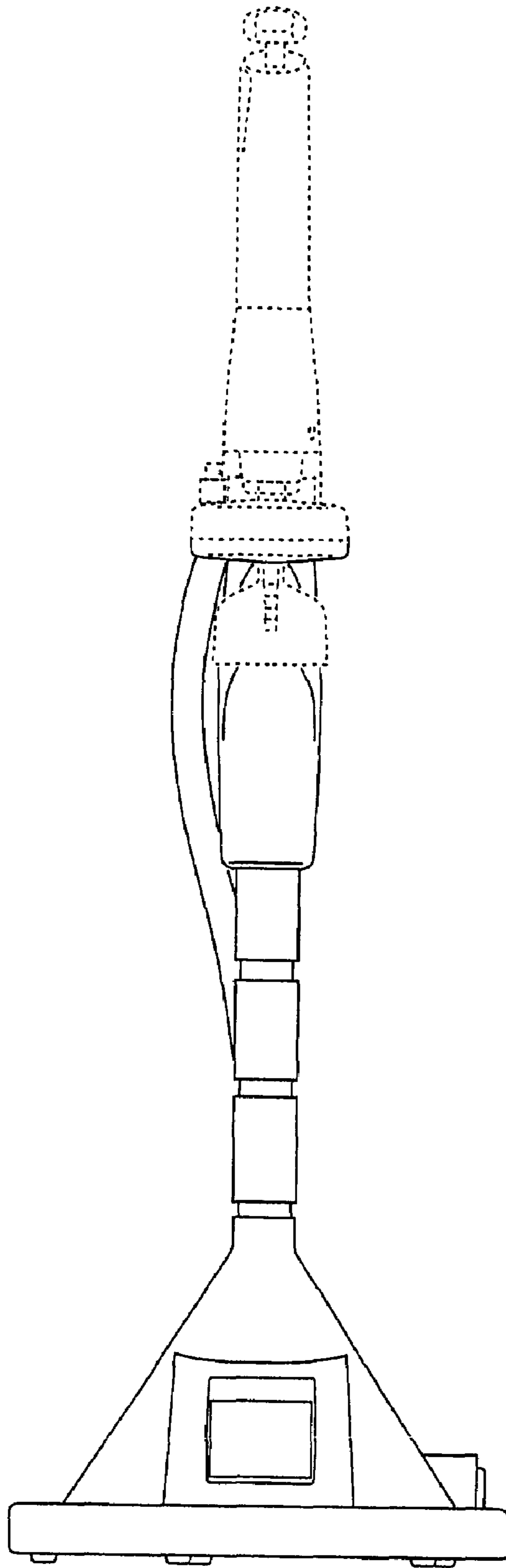


Figure 3

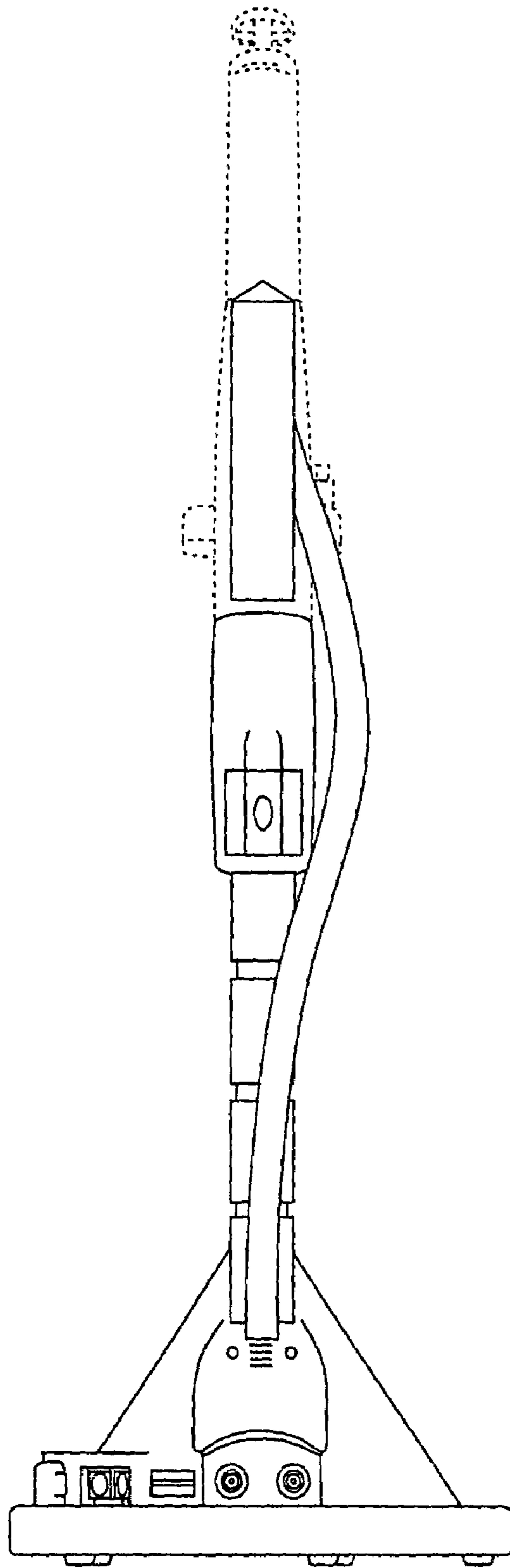


Figure 4

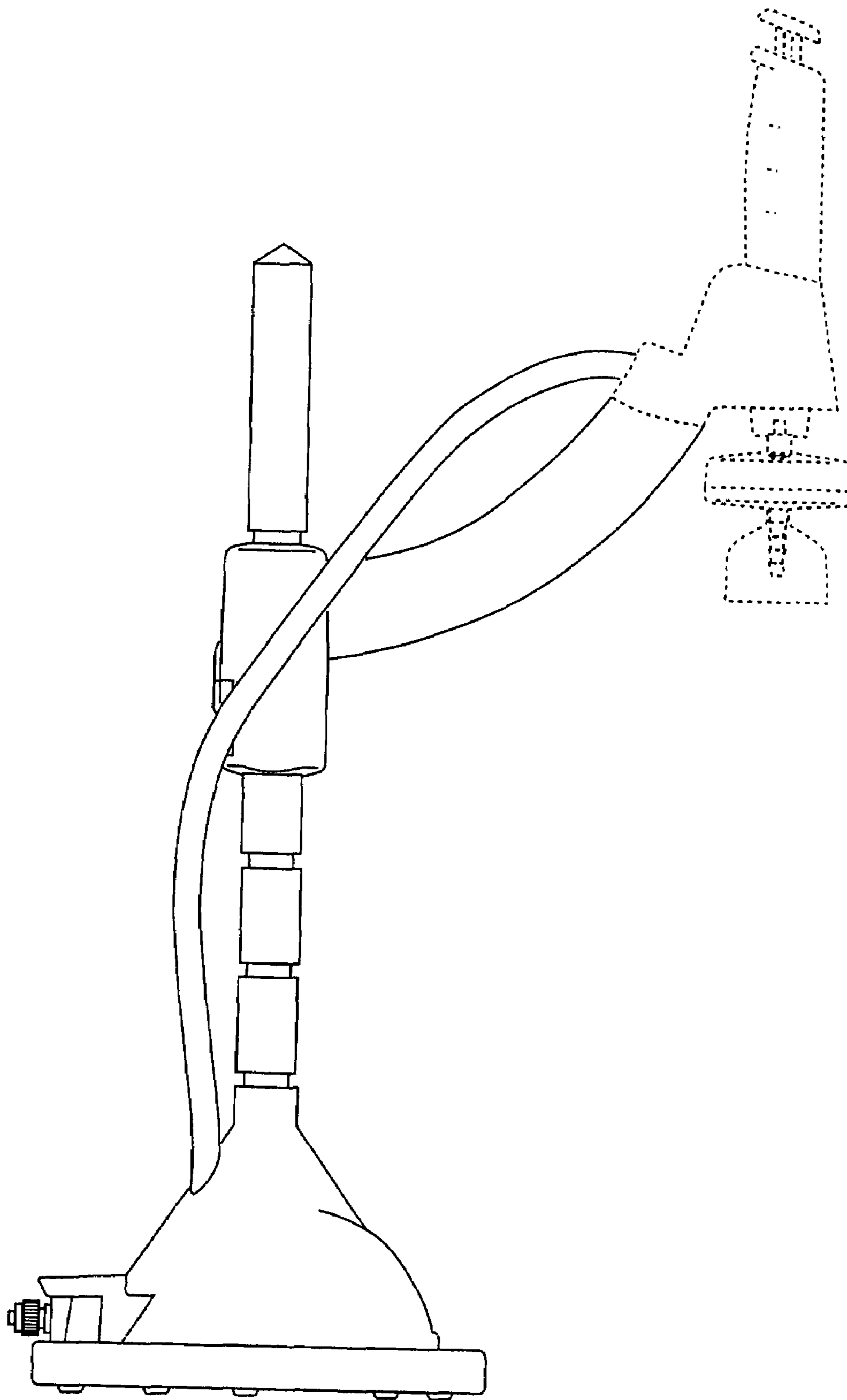


Figure 5

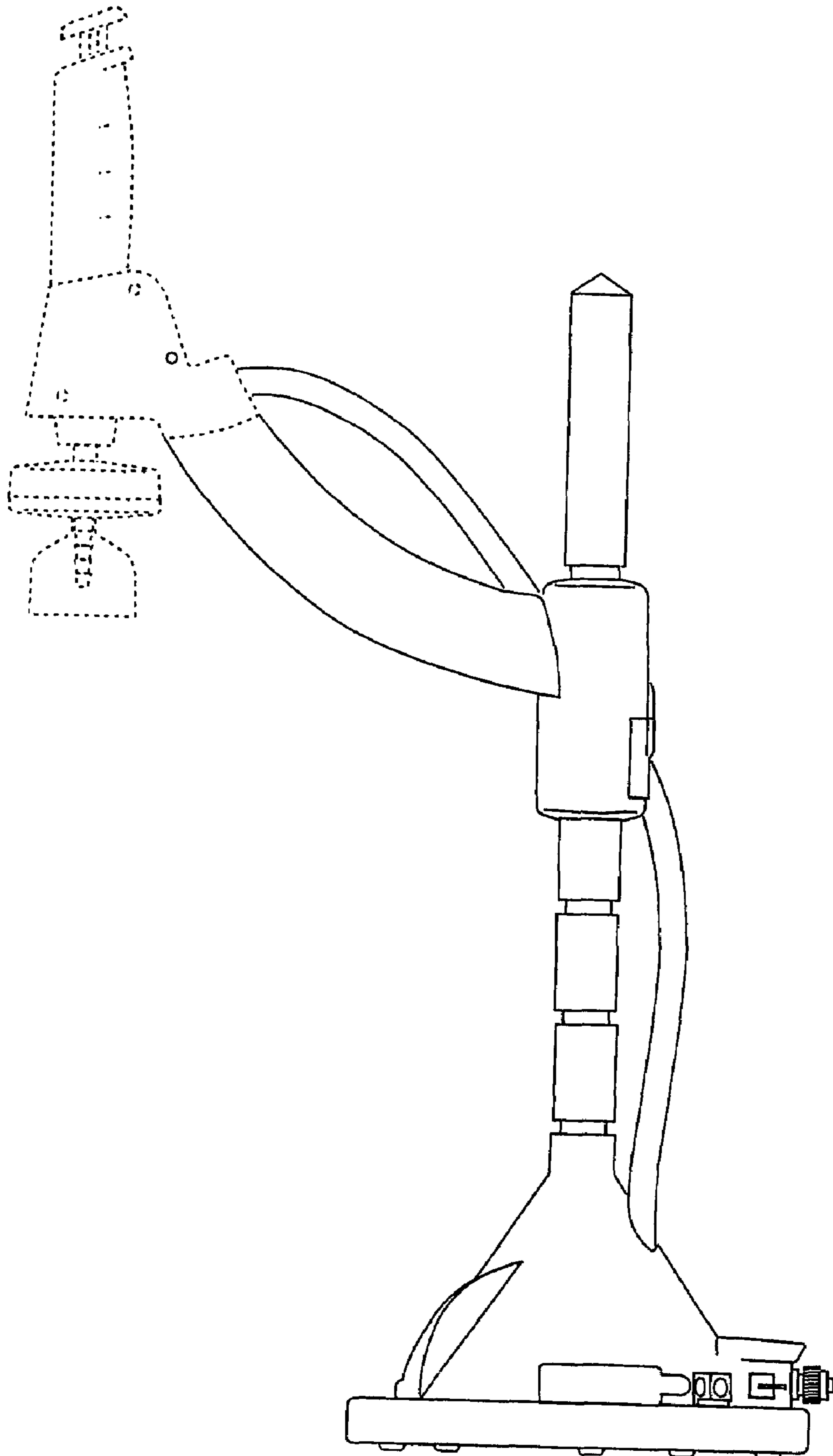


Figure 6

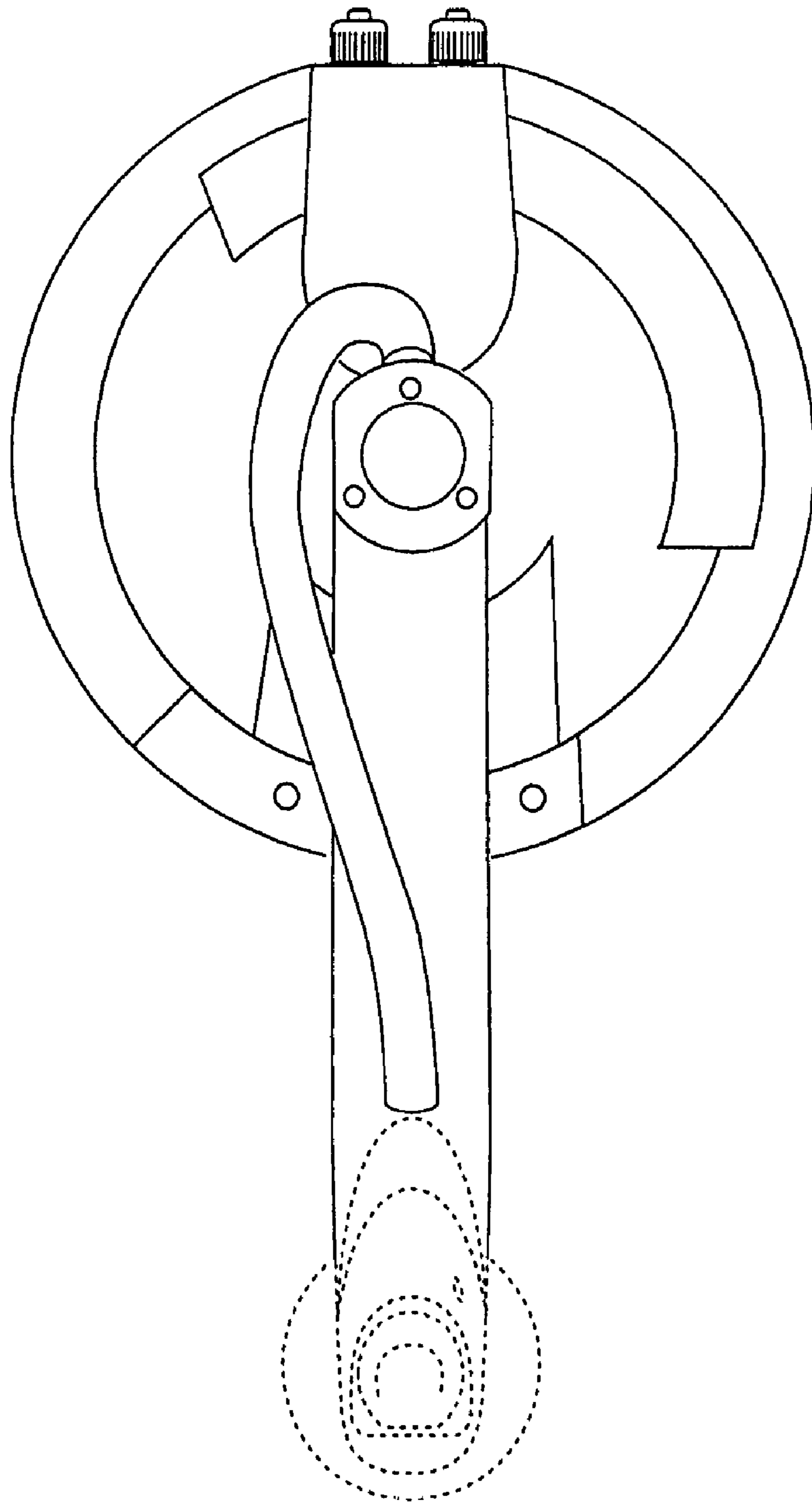


Figure 7

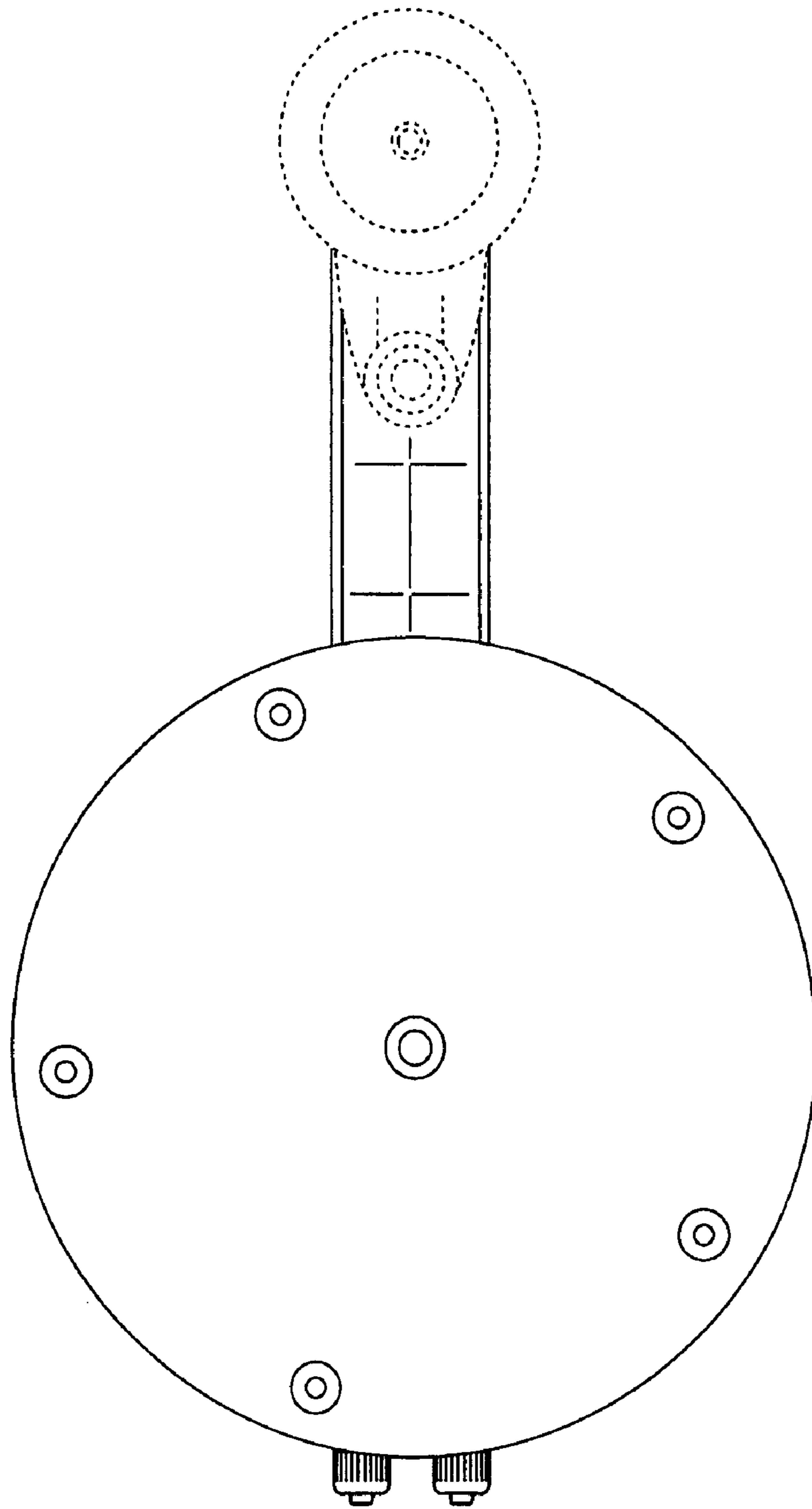


Figure 8