



US00D566225S

(12) **United States Design Patent**
Cink et al.

(10) **Patent No.:** **US D566,225 S**

(45) **Date of Patent:** **** Apr. 8, 2008**

(54) **CONTAINER**

(75) Inventors: **James H. Cink**, Ballwin, MO (US);
Steven R. Sims, Maryland Heights, MO
(US); **Jonathan D. Berger**, St. Louis,
MO (US); **Lee M. White**, Manchester,
MO (US); **Jeffery A. Martin**,
Manchester, MO (US); **H. Wayne**
Moran, Ballwin, MO (US)

(73) Assignee: **Whitmire Micro-Gen Research**
Laboratories, Inc., St. Louis, MO (US)

(**) Term: **14 Years**

(21) Appl. No.: **29/254,415**

(22) Filed: **Feb. 23, 2006**

Related U.S. Application Data

(63) Continuation of application No. 10/400,773, filed on
Mar. 25, 2003, now Pat. No. 7,086,196.

(51) **LOC (8) Cl.** **22-06**

(52) **U.S. Cl.** **D22/122**

(58) **Field of Classification Search** D22/122,
D22/119, 123, 120; 43/107, 112-114, 124,
43/139, 132.1; D6/528
See application file for complete search history.

(56) **References Cited**

U.S. PATENT DOCUMENTS

D324,792 S *	3/1992	McElroy	D6/528
5,329,726 A	7/1994	Thorne et al.	43/124
5,950,356 A	9/1999	Nimocks	43/131
5,953,855 A	9/1999	Edwards	43/132.1
6,003,266 A	12/1999	Woodruff	43/124
6,016,625 A	1/2000	Bishoff et al.	43/121
6,202,342 B1	3/2001	Edwards	43/132.1
6,205,701 B1	3/2001	Nimocks, III	43/131

D457,591 S *	5/2002	Christianson et al.	D22/119
6,397,516 B1	6/2002	Su	43/124
6,416,752 B1	7/2002	Richardson et al.	424/84
6,439,069 B1	8/2002	Cates	73/865.8
6,543,182 B2	4/2003	Snell et al.	43/132.1
6,612,068 B1	9/2003	Aesch, Jr.	43/132.1
D484,562 S *	12/2003	Casteel et al.	D22/122
D498,812 S *	11/2004	Warner	D22/122
7,093,389 B1 *	8/2006	Meier et al.	43/107
2001/0023552 A1	9/2001	Fujimoto	43/132.1
2006/0042154 A1 *	3/2006	Rich et al.	43/107

FOREIGN PATENT DOCUMENTS

JP	10179000	7/1998
JP	2002315493	10/2002

* cited by examiner

Primary Examiner—Catherine R. Oliver

(74) *Attorney, Agent, or Firm*—Armstrong Teasdale, LLP

(57) **CLAIM**

The ornamental design for a container, as shown and described.

DESCRIPTION

FIG. 1 is a top isometric view of a container;

FIG. 2 is a bottom isometric view of the container of FIG. 1;

FIG. 3 is a front elevational view of the container of FIG. 1, the left elevational view, the right elevational view, and the rear elevational view being identical to the front elevational view;

FIG. 4 is a top plan view of the container of FIG. 1; and, FIG. 5 is a bottom plan view of the container of FIG. 1.

The broken lines shown in the drawings indicate structure and features which form no part of the claimed design.

1 Claim, 5 Drawing Sheets

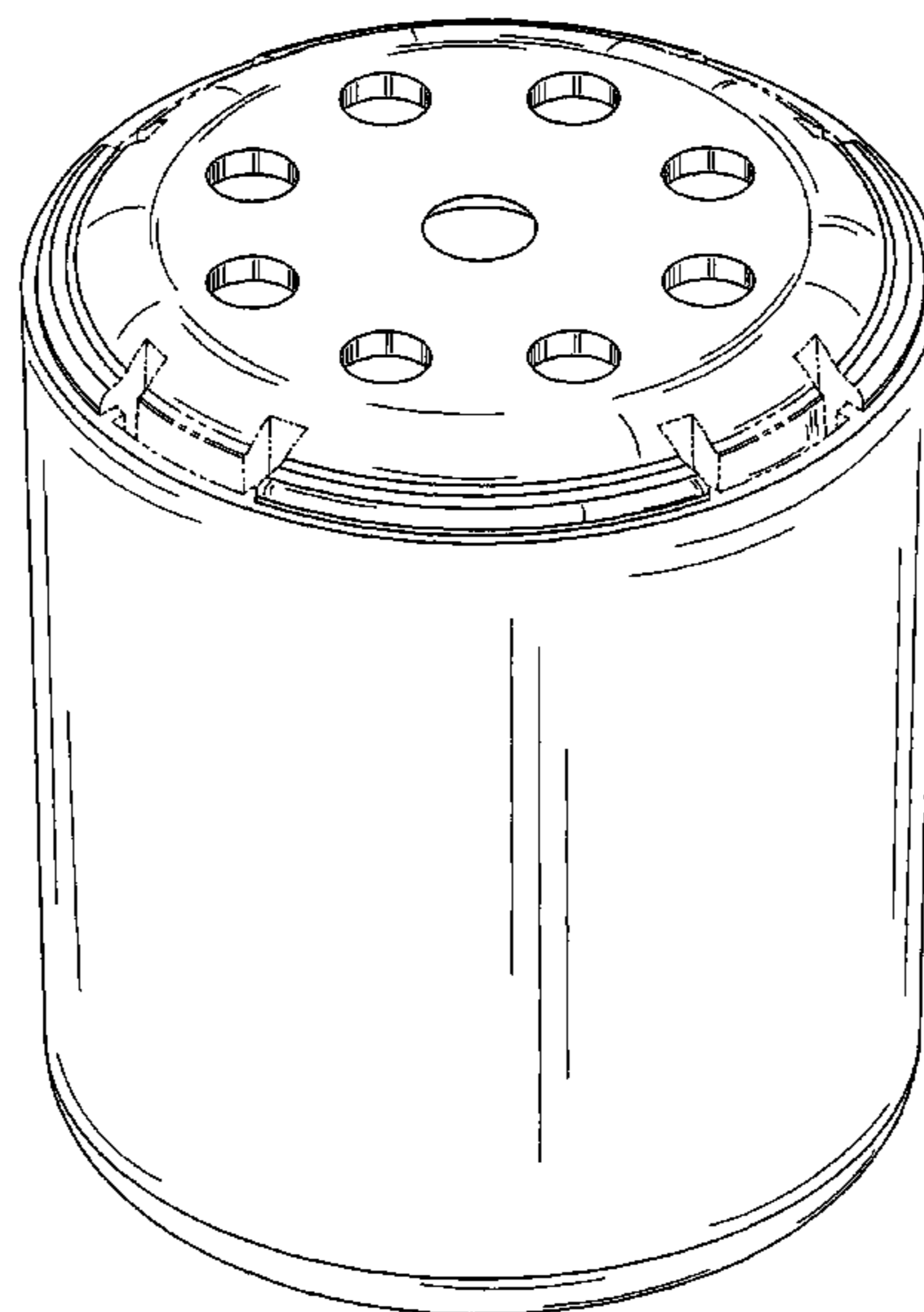


FIG. 1

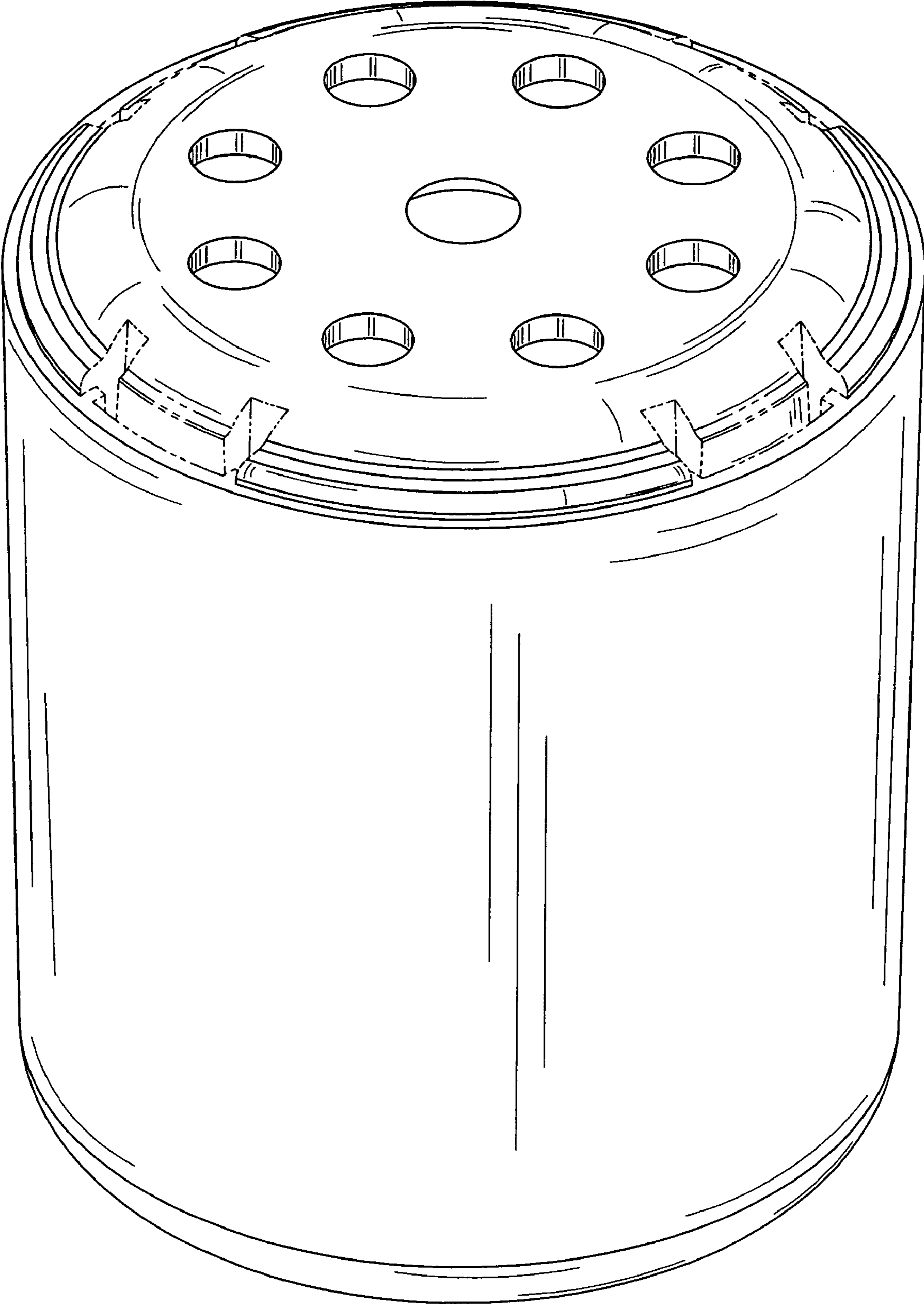


FIG. 2

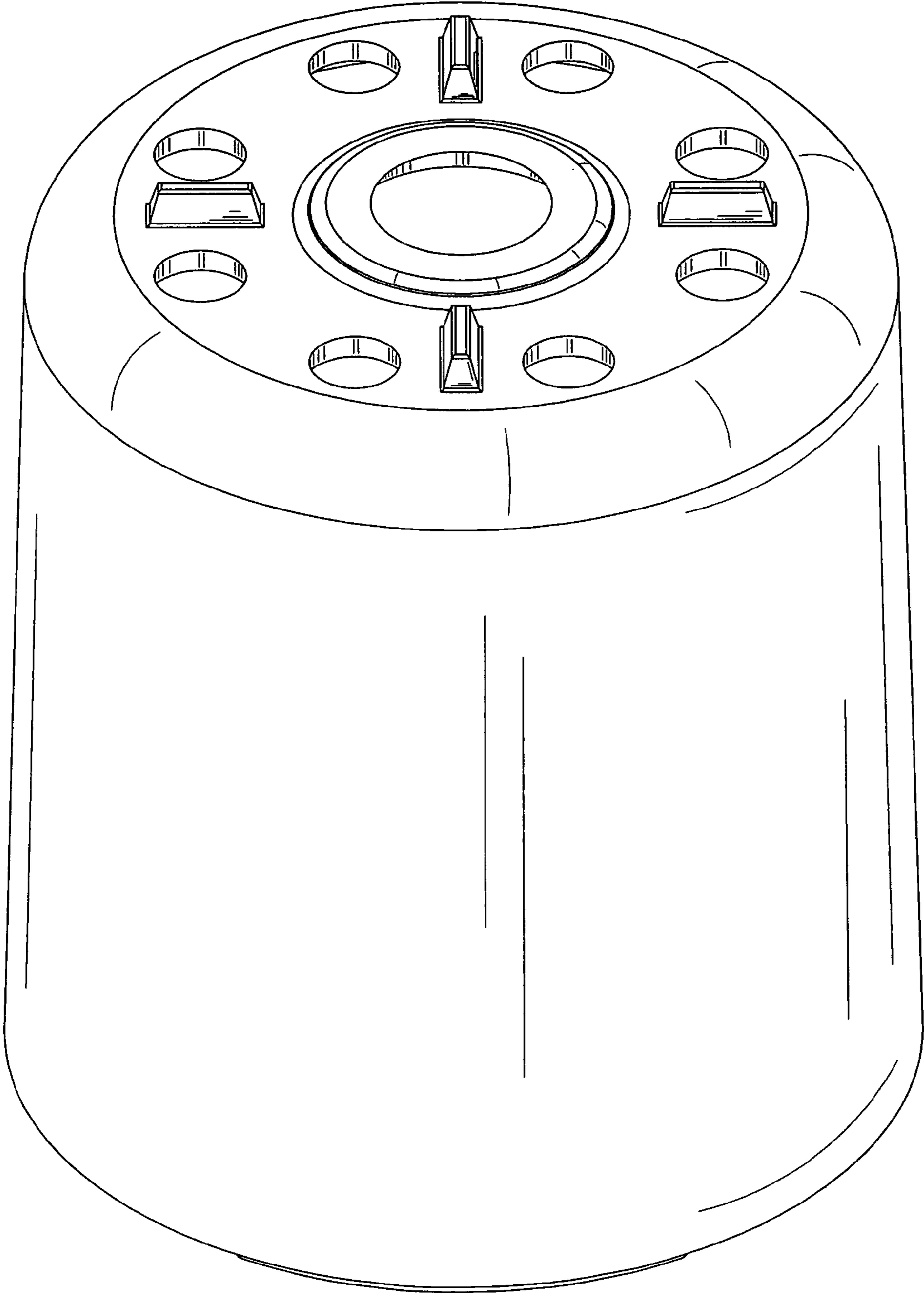


FIG. 3

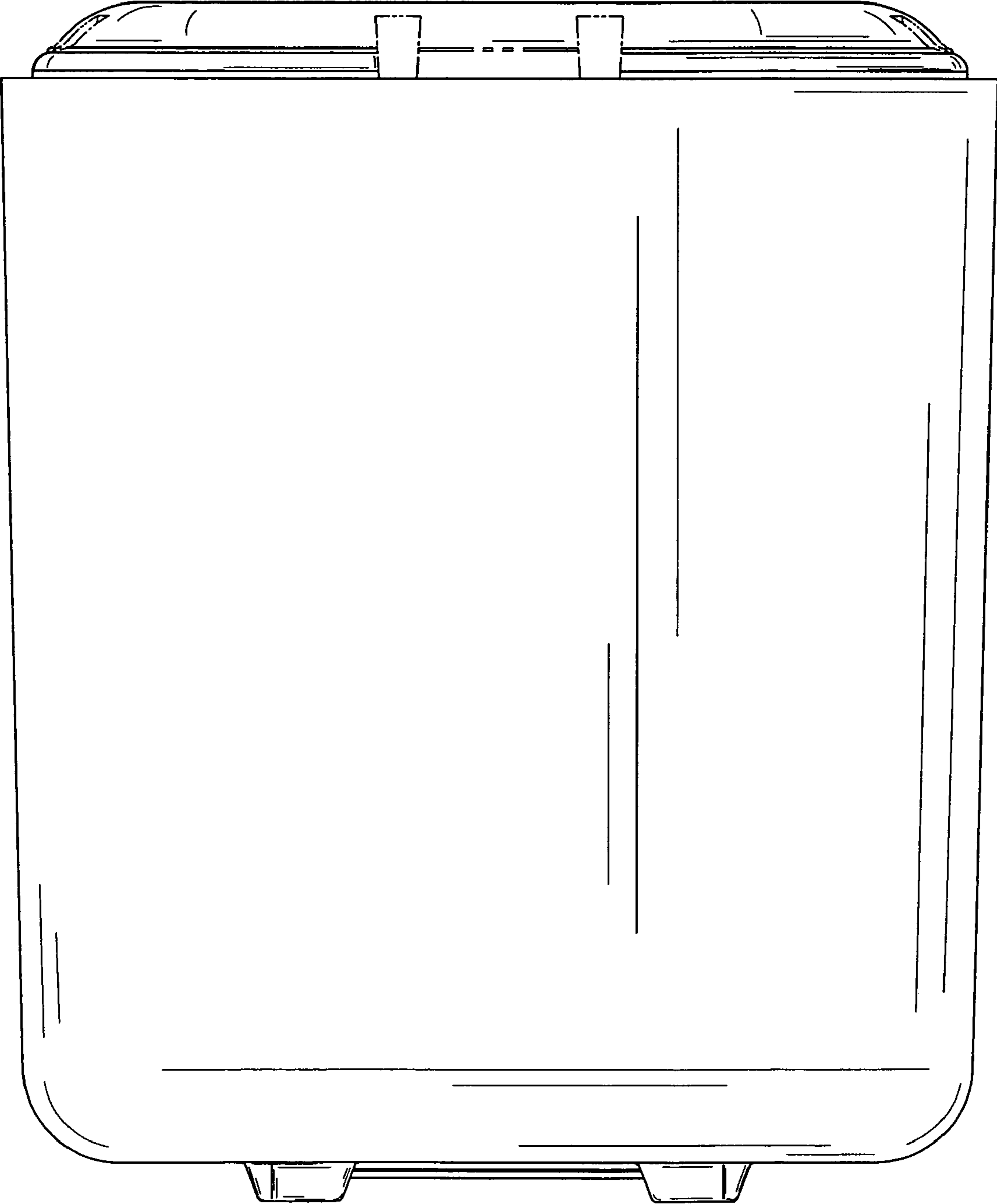


FIG. 4

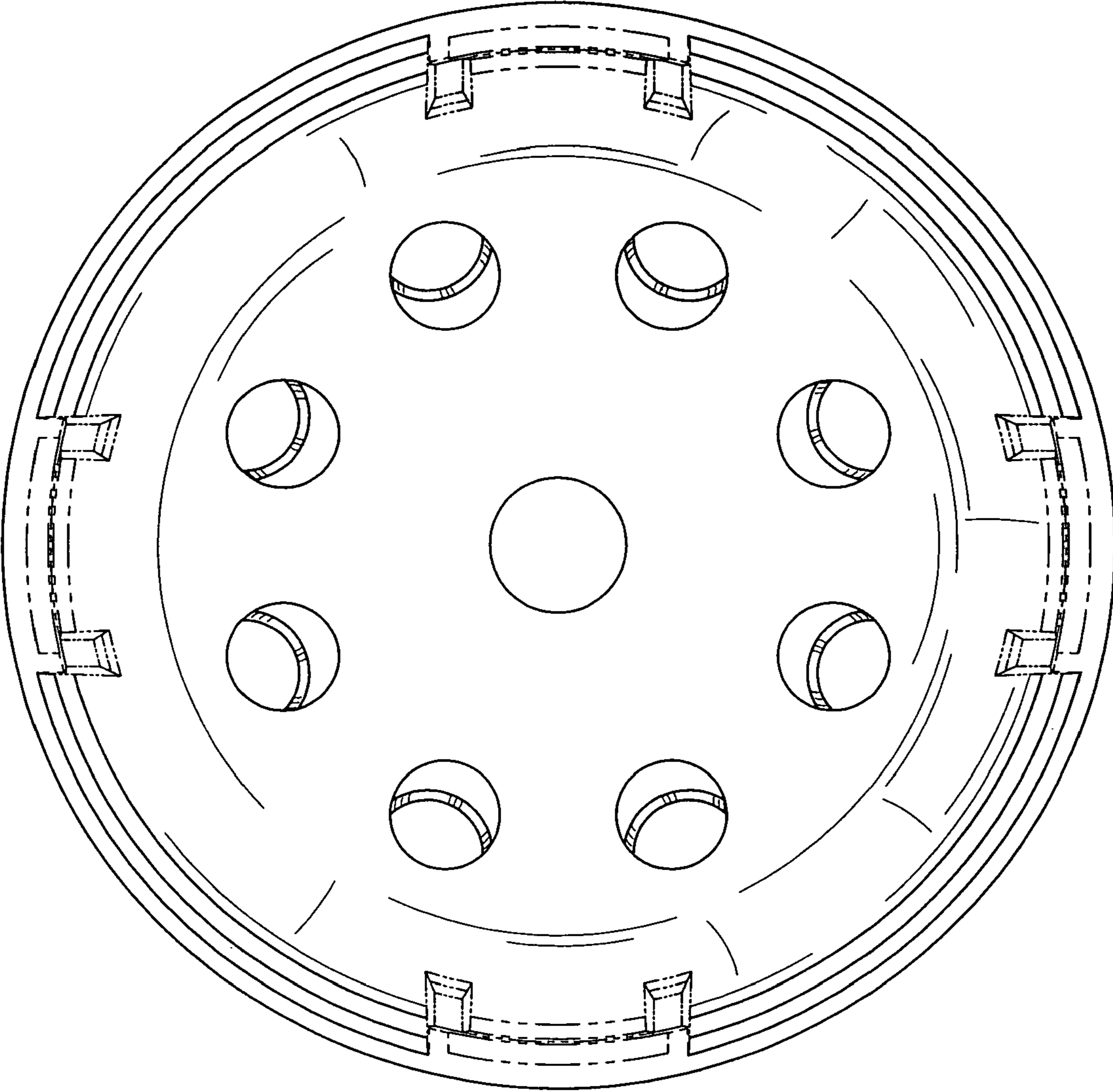


FIG. 5

