

US00D566223S

(12) **United States Design Patent** (10) **Patent No.:** **US D566,223 S**
White et al. (45) **Date of Patent:** **** Apr. 8, 2008**

(54) **STATION**
(75) Inventors: **Lee M. White**, Manchester, MO (US);
Jonathan D. Berger, St. Louis, MO (US)
(73) Assignee: **Whitmire Micro-Gen Research Laboratories, Inc.**, St. Louis, MO (US)
(**) Term: **14 Years**
(21) Appl. No.: **29/254,335**
(22) Filed: **Feb. 22, 2006**

6,065,241 A	5/2000	Woodruff	43/132.1
6,158,166 A	12/2000	Snell et al.	43/131
6,202,342 B1	3/2001	Edwards	43/132.1
6,219,960 B1	4/2001	Contadini et al.	43/121
6,255,959 B1	7/2001	Lake et al.	340/693.5
6,266,918 B1	7/2001	Henderson et al.	43/131
6,272,791 B1	8/2001	Pleasants	43/131
D456,058 S *	4/2002	Rollins	D22/122
6,370,811 B1	4/2002	Masterson	43/121
6,439,069 B1	8/2002	Cates	73/865.5
6,631,583 B2	10/2003	Rollins	43/124
6,672,000 B2	1/2004	Aesch, Jr.	43/132.1
6,716,421 B2	4/2004	Brode, III et al.	424/84
6,914,529 B2	7/2005	Barber et al.	340/573.2
D539,867 S *	4/2007	Mediate	D22/122
2002/0124458 A1 *	9/2002	Clark	43/124

Related U.S. Application Data

(63) Continuation of application No. 10/236,659, filed on Sep. 6, 2002, now Pat. No. 7,272,993.
(51) **LOC (8) Cl.** **22-05**
(52) **U.S. Cl.** **D22/122**
(58) **Field of Classification Search** D22/122,
D22/119, 123, 120; 43/107, 112-114, 124,
43/139, 132.1, 58-60, 121, 131, 122
See application file for complete search history.

* cited by examiner

Primary Examiner—Catherine R. Oliver
(74) *Attorney, Agent, or Firm*—Armstrong Teasdale, LLP

(57) **CLAIM**

The ornamental design for a station, as shown and described.

DESCRIPTION

FIG. 1 is a top isometric view of a station;
FIG. 2 is a front elevational view of the station of FIG. 1, the rear elevational view being identical to the front elevational view;
FIG. 3 is a right elevational view of the station of FIG. 1, the left elevational view being identical to the right elevational view;
FIG. 4 is a top plan view of the station of FIG. 1; and,
FIG. 5 is a bottom plan view of the station of FIG. 1.
The broken lines shown in the drawings indicate structure and features which form no part of the claimed design.

(56) **References Cited**

U.S. PATENT DOCUMENTS

3,885,477 A	5/1975	Shook	81/3.1
4,059,033 A	11/1977	Johnson	81/3.1
5,003,848 A	4/1991	Ceccucci, Jr.	81/176.2
5,161,436 A	11/1992	Stevenson	81/3.41
5,213,016 A	5/1993	Kah, Jr.	81/176.15
5,329,726 A	7/1994	Thorne et al.	43/124
D349,746 S *	8/1994	DeYoreo	D22/122
5,873,193 A	2/1999	Jensen	43/131
5,901,496 A	5/1999	Woodruff	43/124
5,918,410 A	7/1999	Knuppel	43/131
5,927,000 A	7/1999	Bordes, Jr.	43/124
6,003,266 A	12/1999	Woodruff	43/124
6,016,625 A	1/2000	Bishoff et al.	43/121

1 Claim, 5 Drawing Sheets

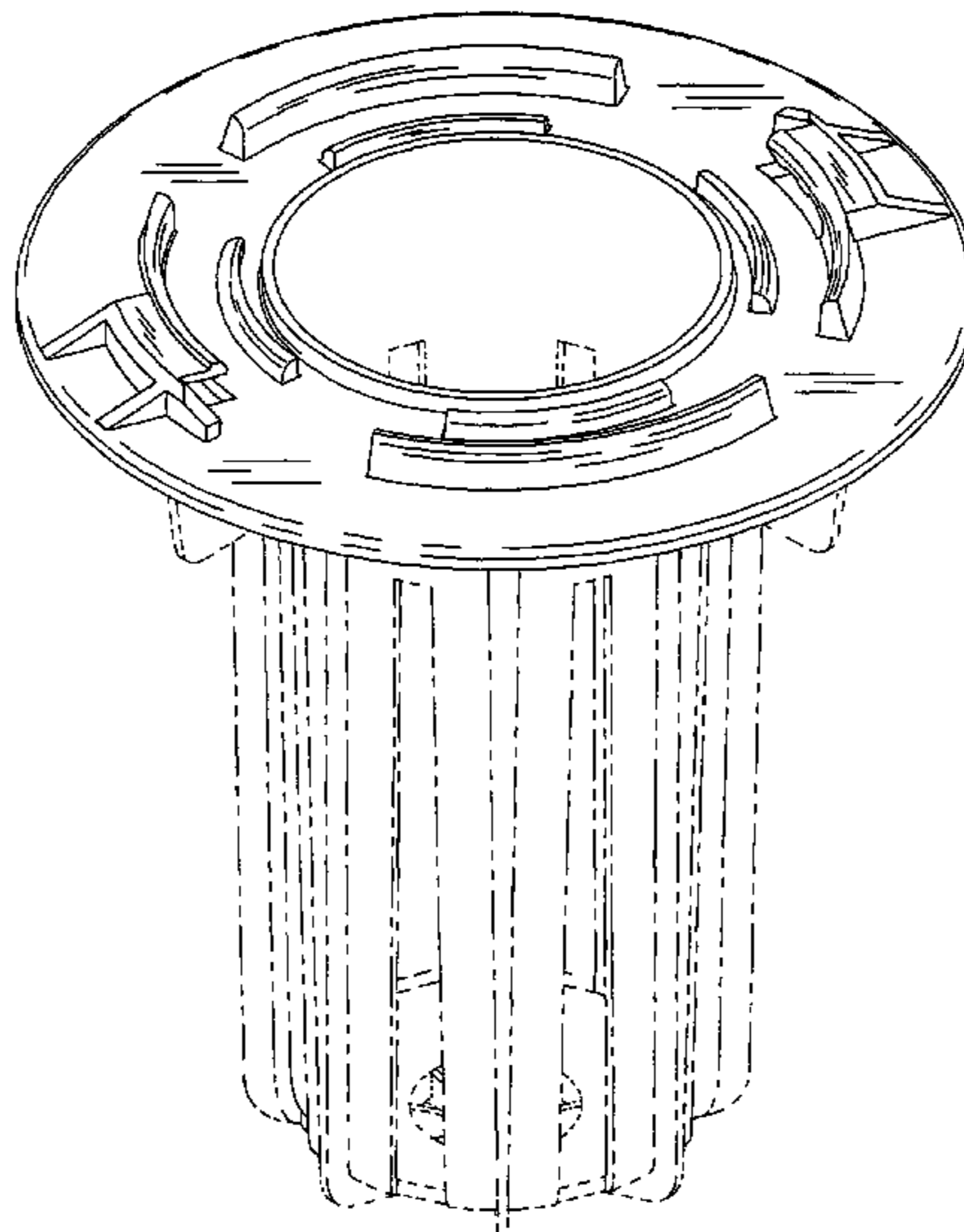


FIG. 1

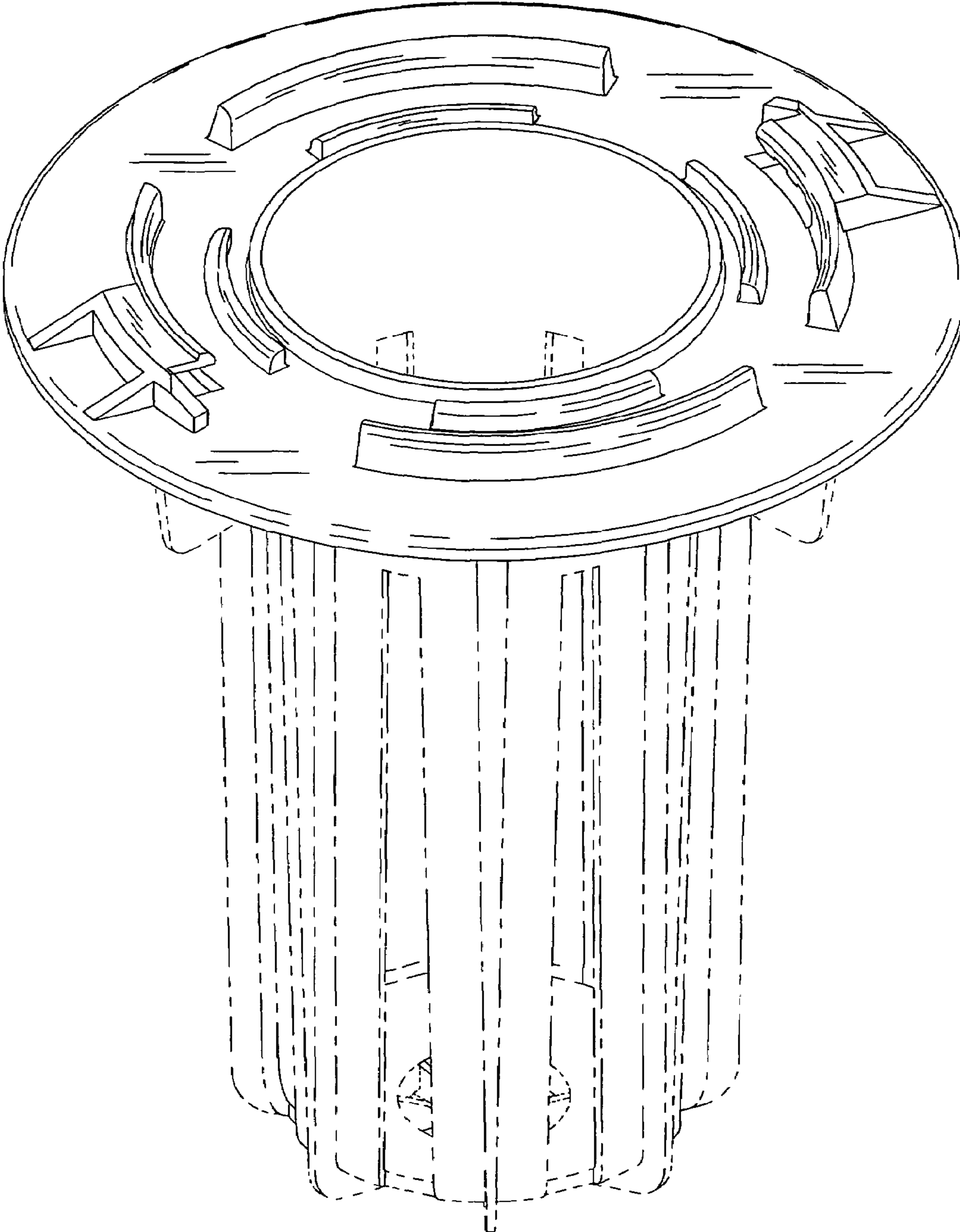


FIG. 2

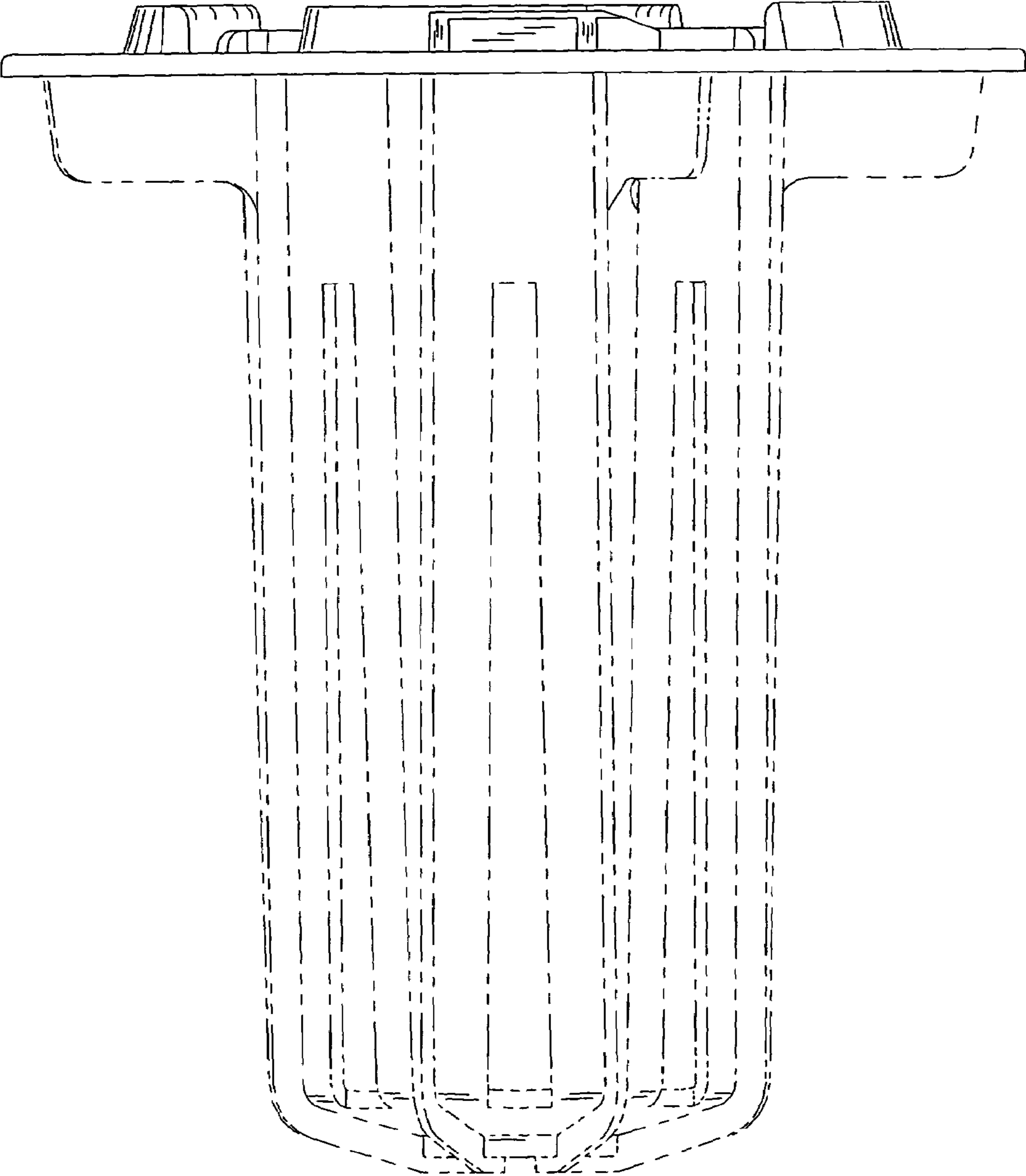


FIG. 3

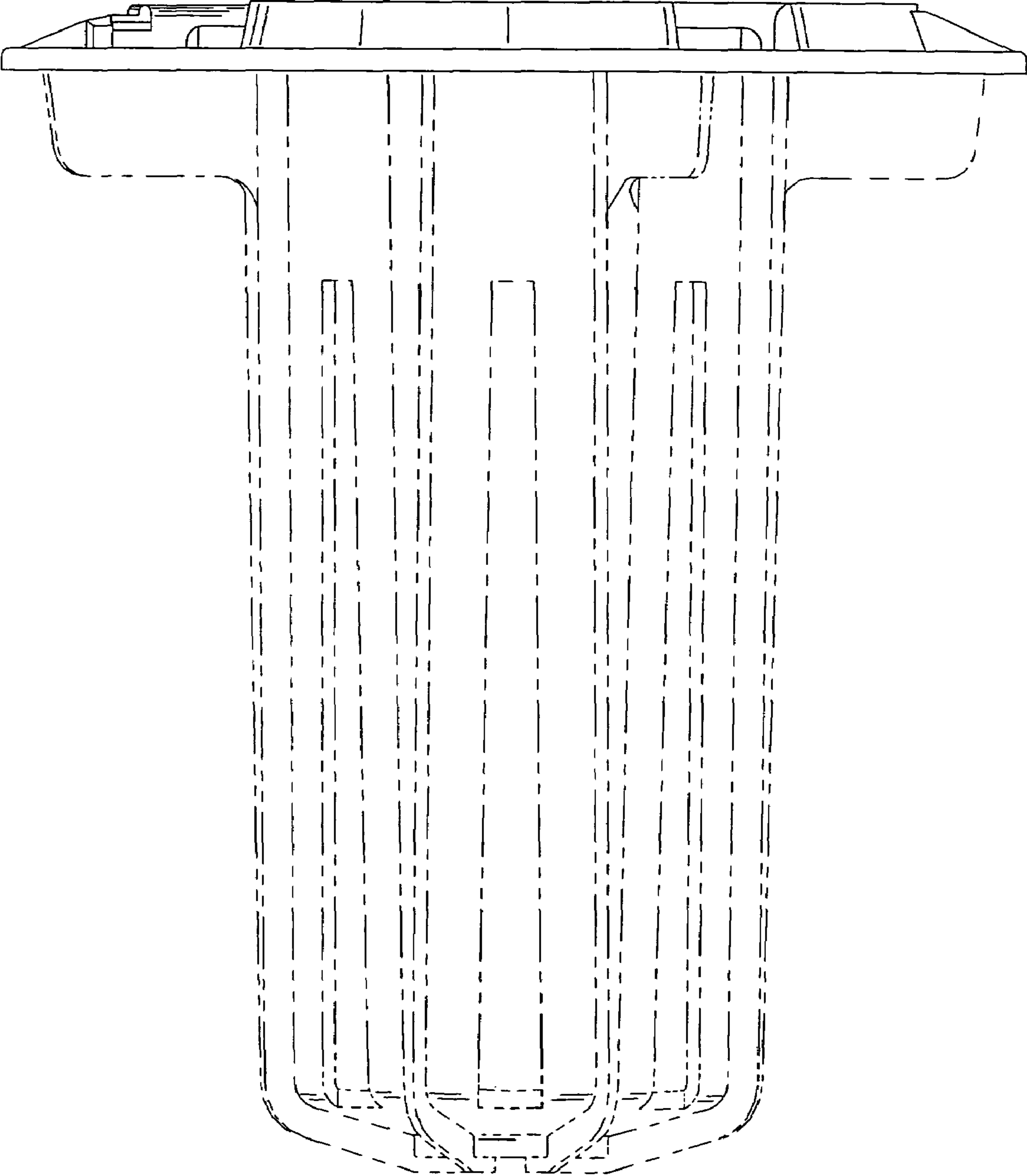


FIG. 4

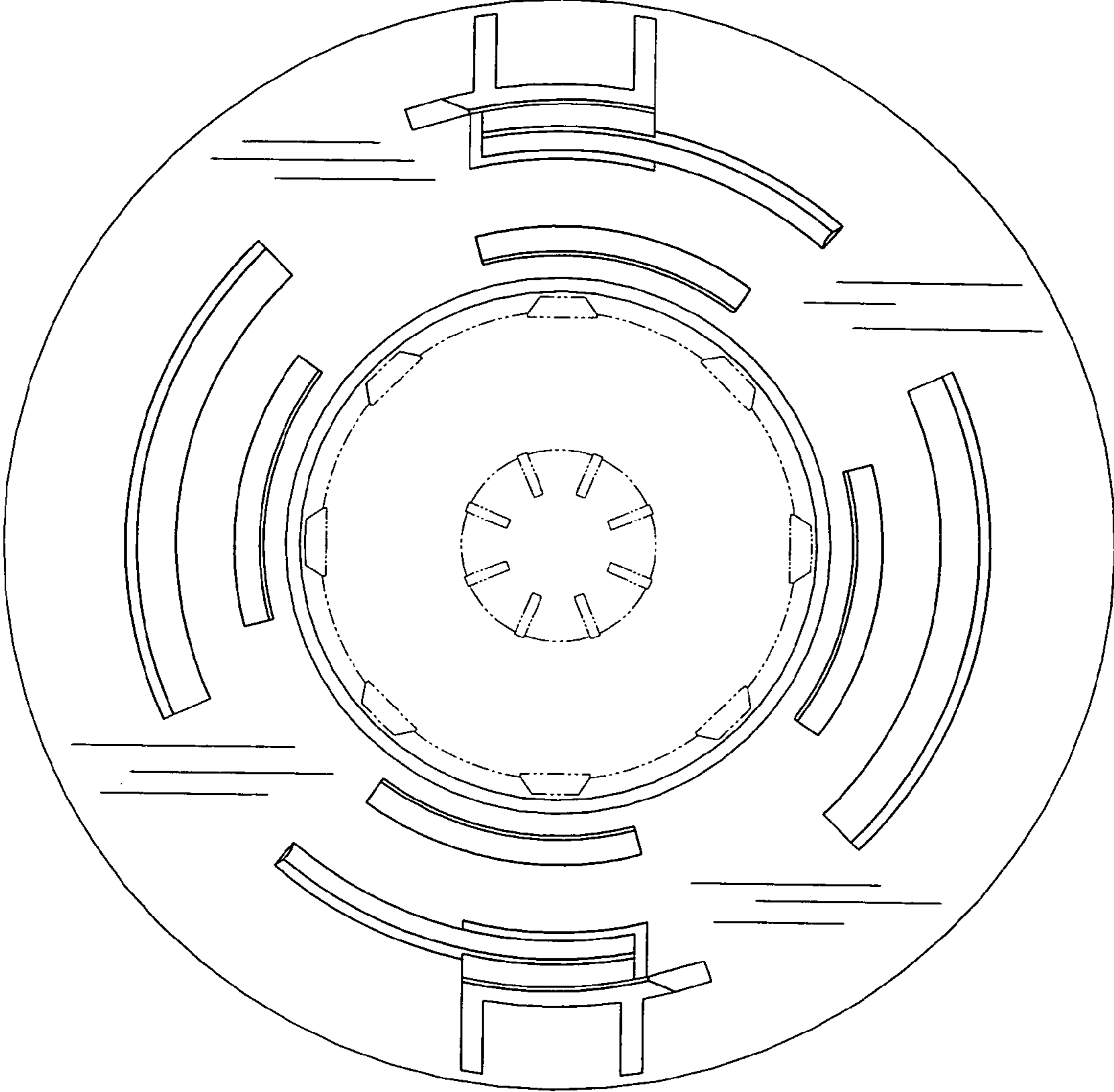


FIG. 5

