

US00D566221S

(12) **United States Design Patent**
Collins

(10) **Patent No.:** **US D566,221 S**

(45) **Date of Patent:** **** Apr. 8, 2008**

(54) **CARTRIDGE HOLDER**

(75) Inventor: **Walter W. Collins**, North, SC (US)

(73) Assignee: **Marble's Gun Sights, Inc.**, Gladstone, MI (US)

(**) Term: **14 Years**

(21) Appl. No.: **29/280,206**

(22) Filed: **May 21, 2007**

(51) **LOC (8) Cl.** **22-01**

(52) **U.S. Cl.** **D22/108**

(58) **Field of Classification Search** D22/108,
D22/199, 100, 116; 224/203, 223, 239; 206/3;
42/6, 7, 50; D3/221, 224, 225, 229
See application file for complete search history.

(56) **References Cited**

U.S. PATENT DOCUMENTS

4,413,437 A *	11/1983	Anderson	42/50
D282,558 S *	2/1986	Kleis	D22/199
D290,866 S *	7/1987	Chesnut	D22/108
D291,467 S *	8/1987	Abdo	D22/108
D292,849 S *	11/1987	Dickie et al.	D3/224
D363,525 S *	10/1995	Montefusco	D22/108
D410,331 S *	6/1999	Hamilton	D3/221

* cited by examiner

Primary Examiner—Ian Simmons
Assistant Examiner—Melanie Levy

(74) *Attorney, Agent, or Firm*—Jeffrey S. Sokol; Cook & Franke S.C.

(57) **CLAIM**

The ornamental design for a cartridge holder, as shown and described.

DESCRIPTION

FIG. 1 is a perspective view of the new cartridge holder design with its lid in a fully closed position;

FIG. 2 is a perspective view of the new cartridge holder design with its lid in a fully open position to reveal its bullet chambers.

FIG. 3 is a front view of the cartridge holder;

FIG. 4 is a rear view of the cartridge holder;

FIG. 5 is a side view of the cartridge holder;

FIG. 6 is a side view of the cartridge holder;

FIG. 7 is a bottom end view of the cartridge holder;

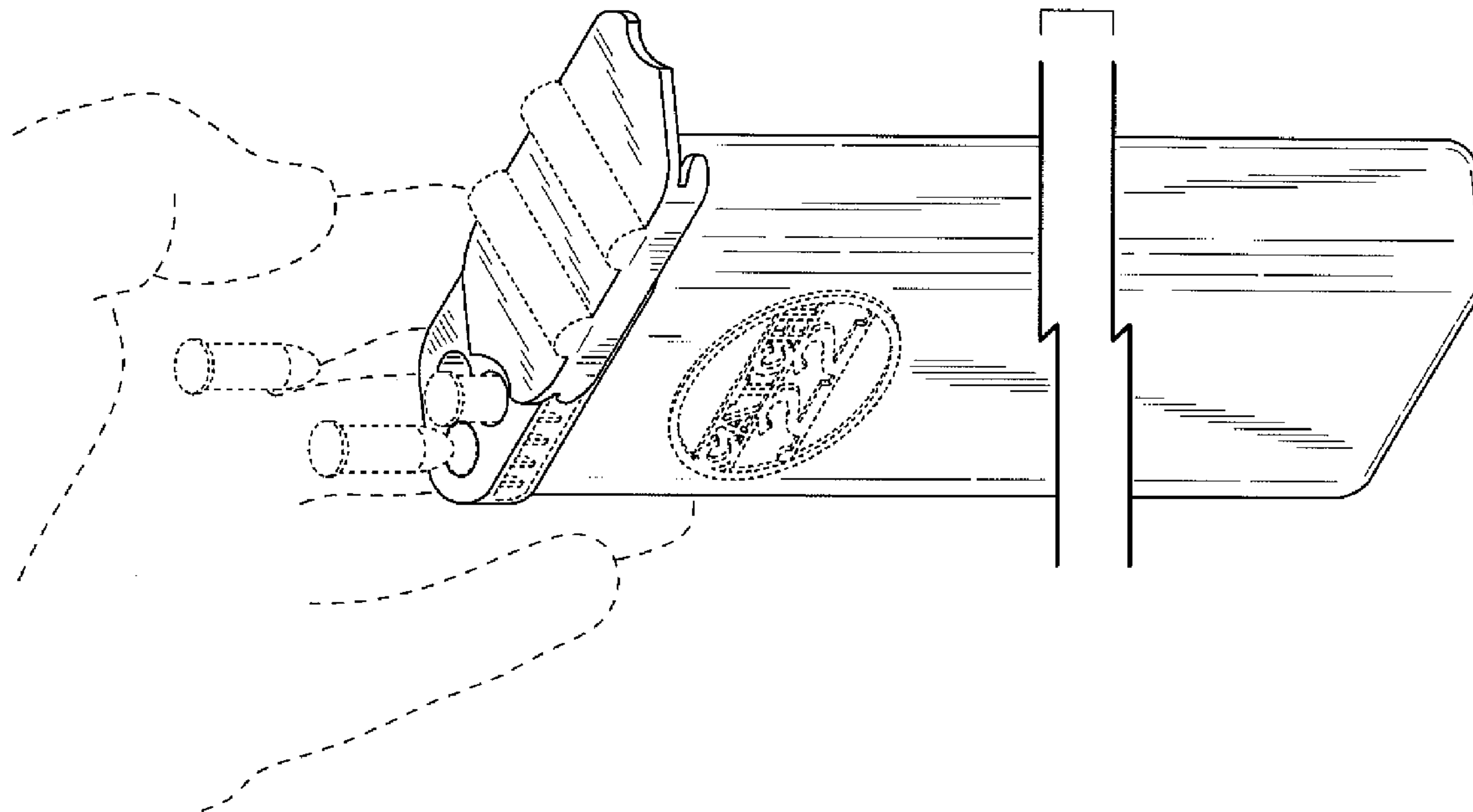
FIG. 8 is a top end view of the cartridge holder; and,

FIG. 9 is a perspective view of the cartridge holder shown with its lid in a partially open position.

The broken lines are for illustrative purposes only and form no part of the claimed design.

The cartridge holder is shown broken away for ease of illustration and to indicate indeterminate length.

1 Claim, 4 Drawing Sheets



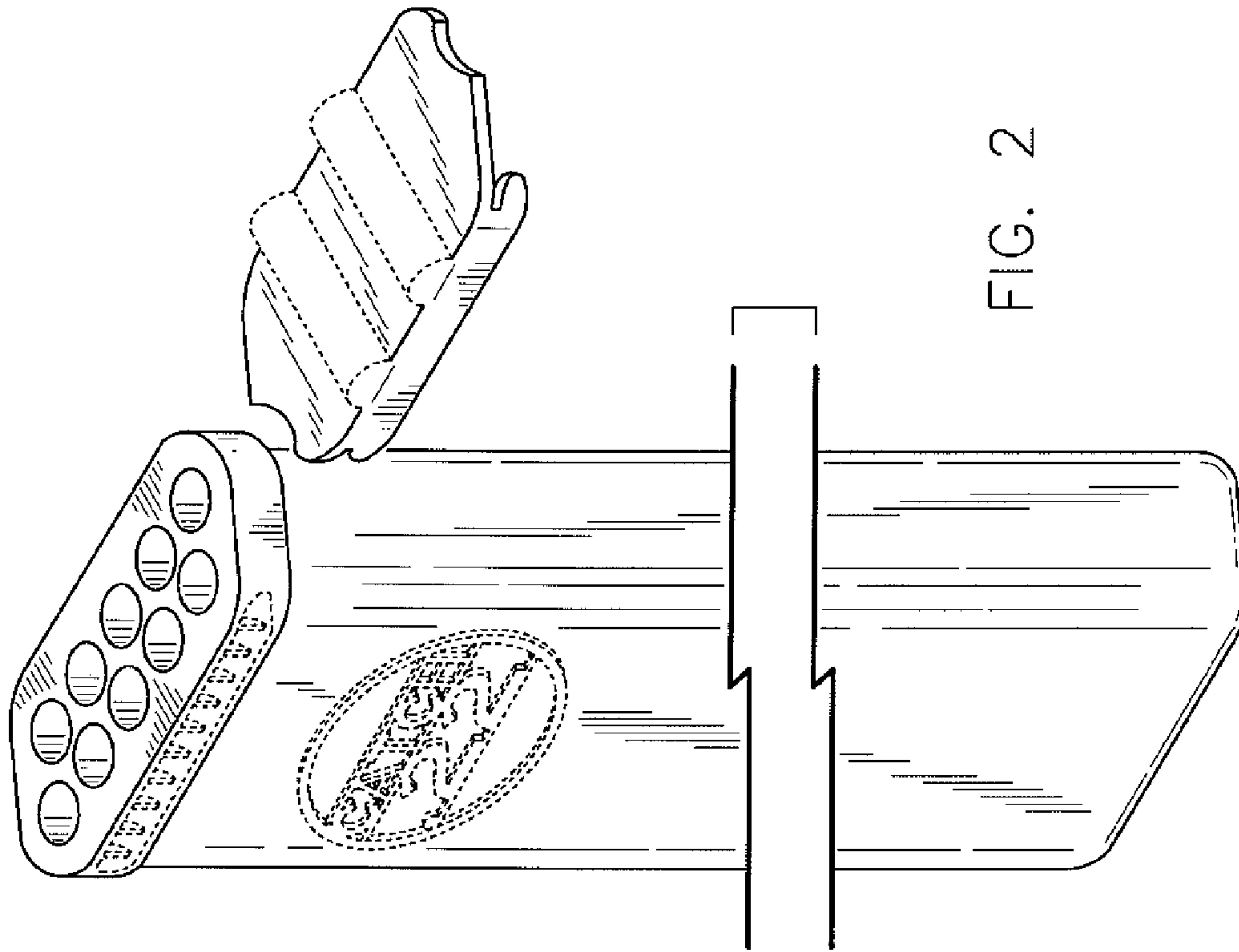


FIG. 2

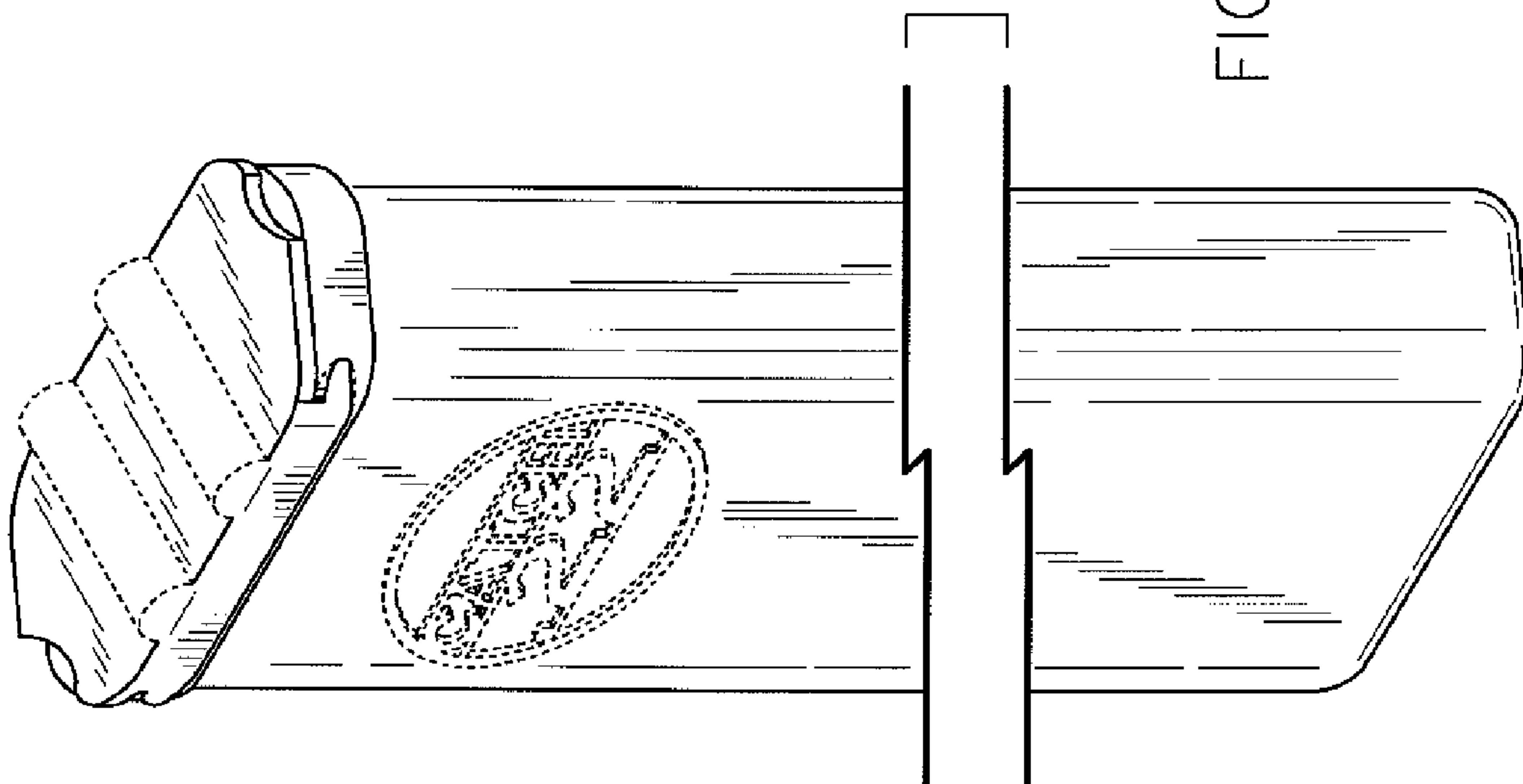


FIG. 1

FIG. 3

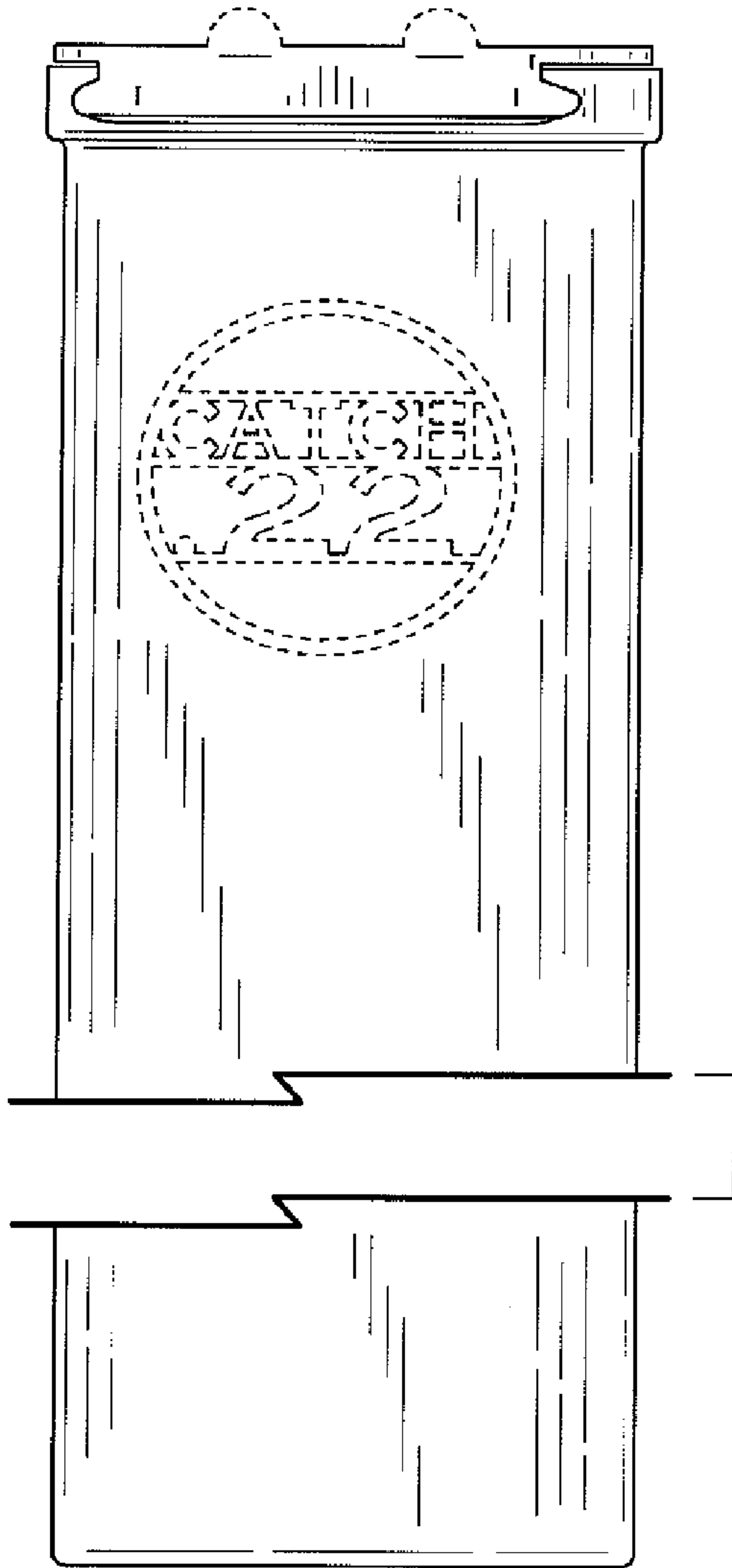


FIG. 4

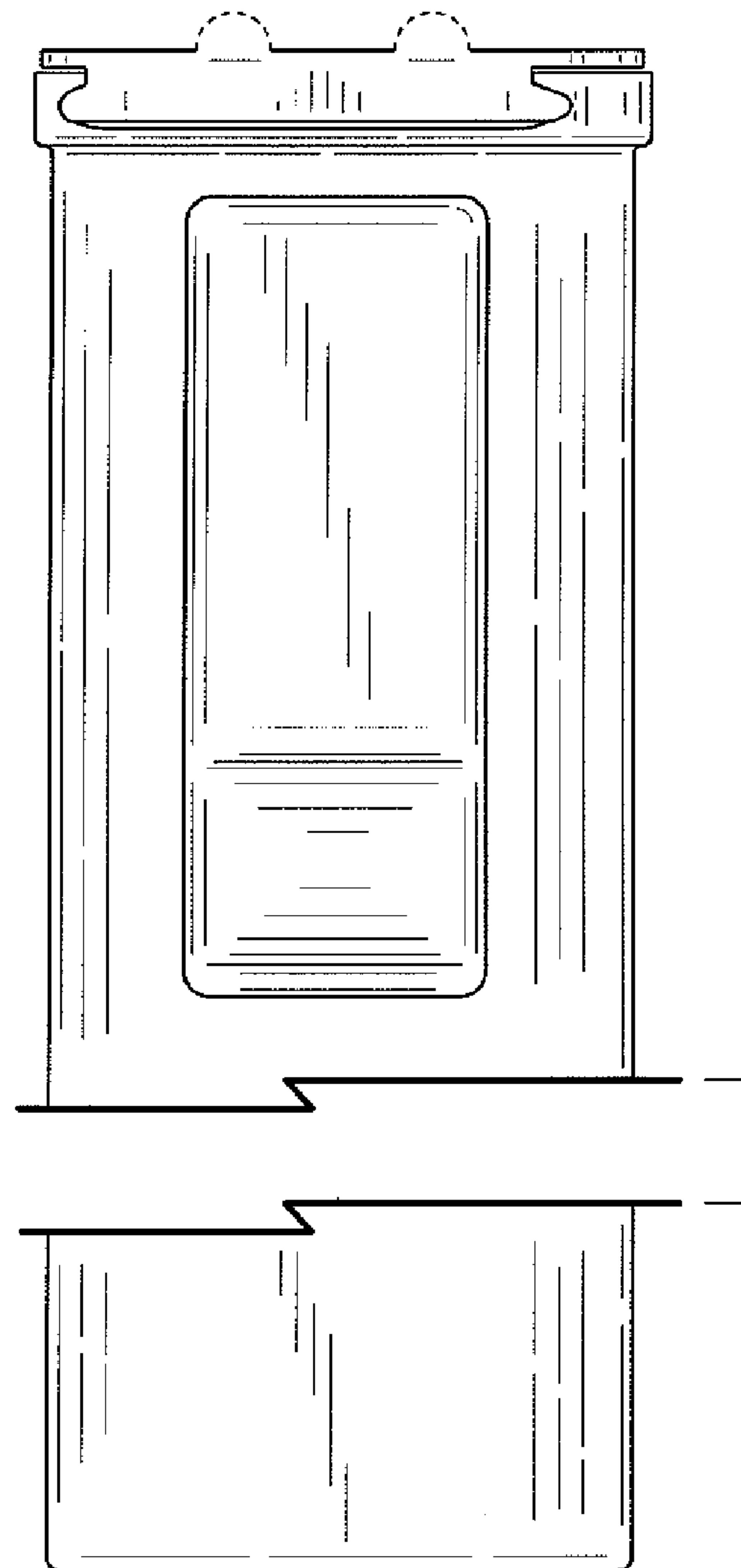


FIG. 5

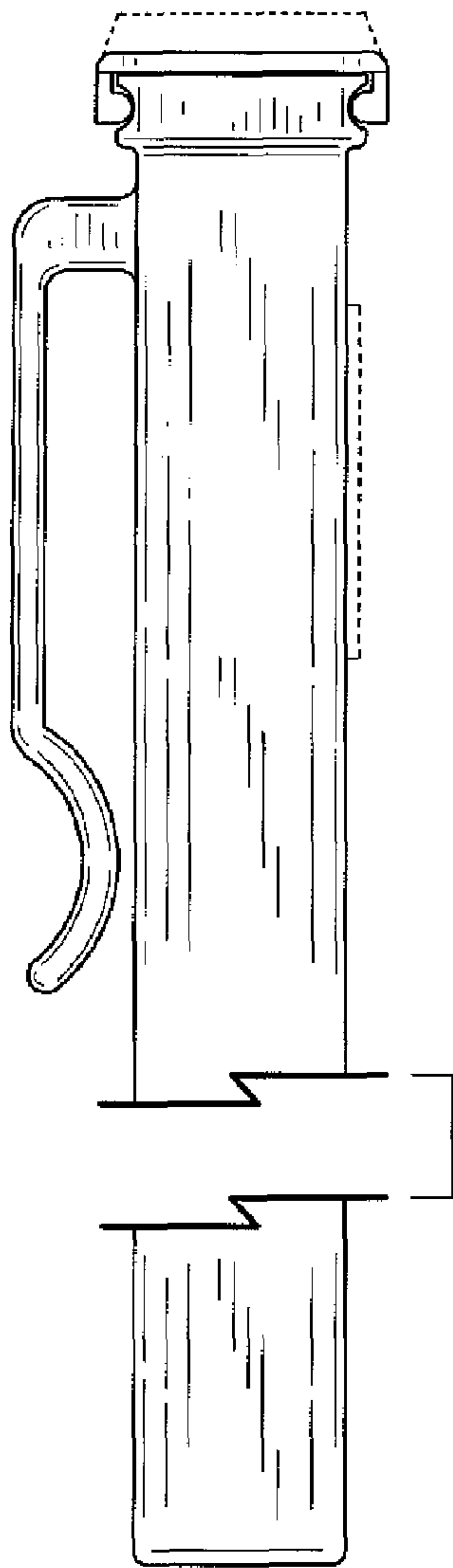


FIG. 6

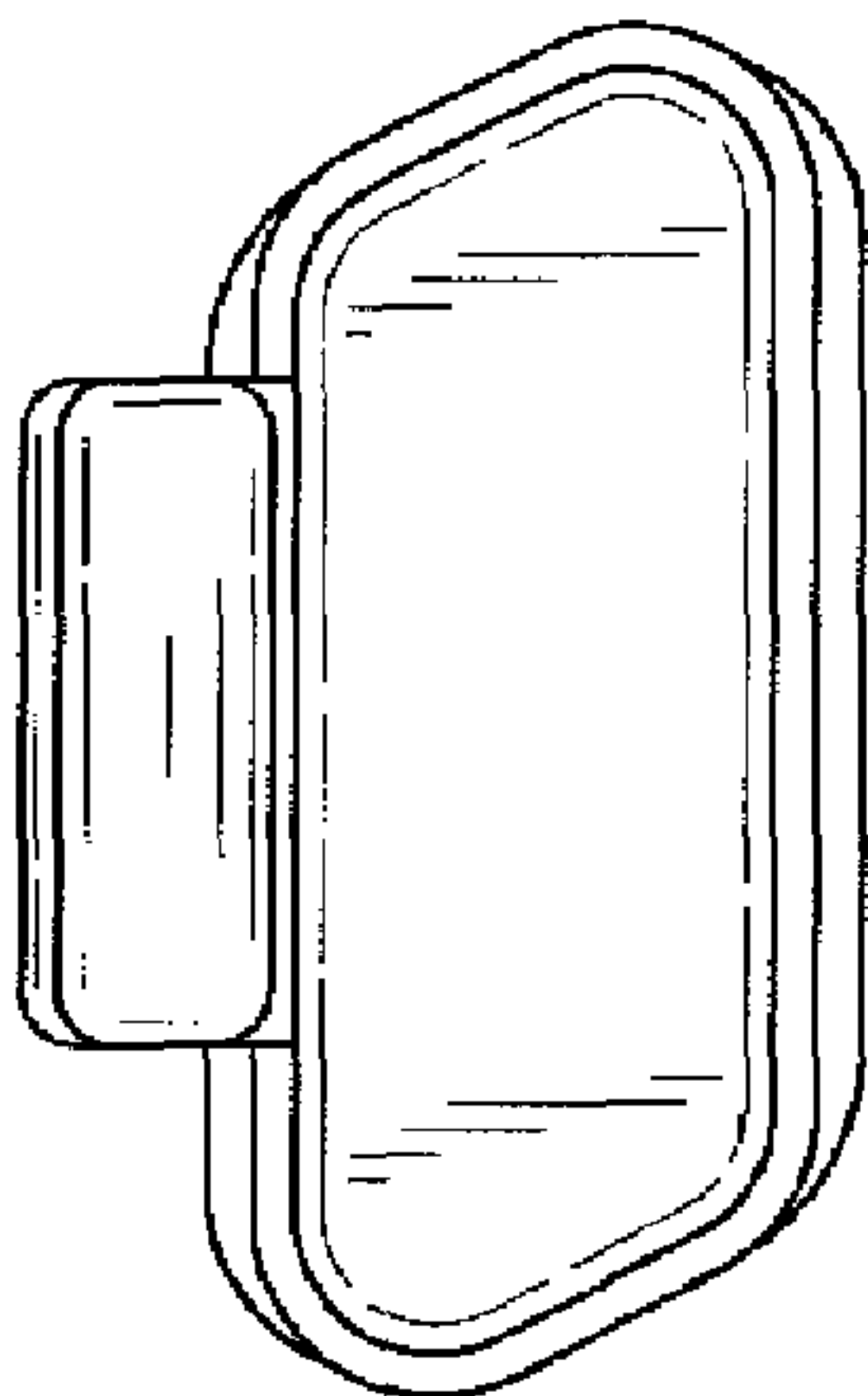
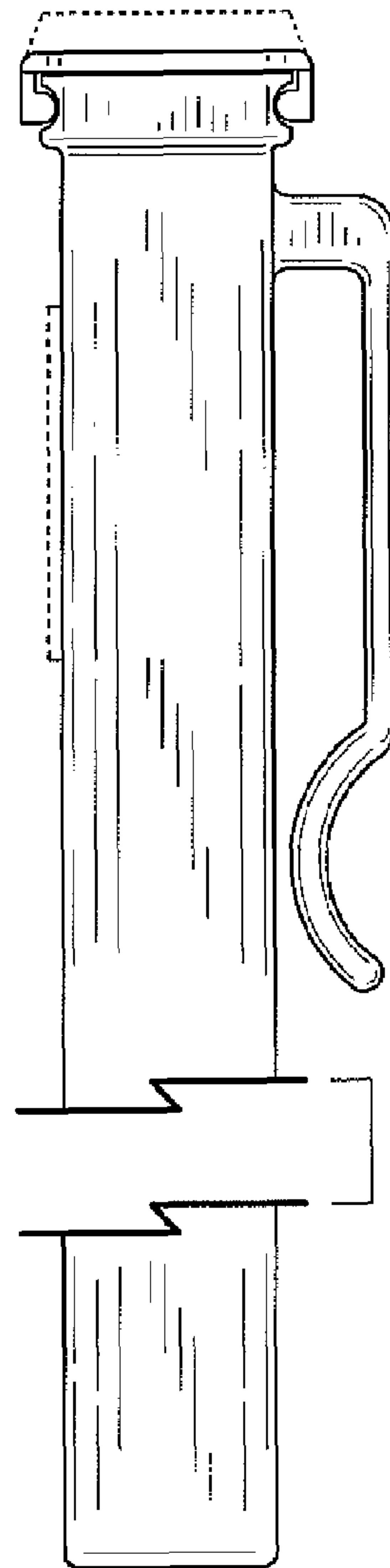
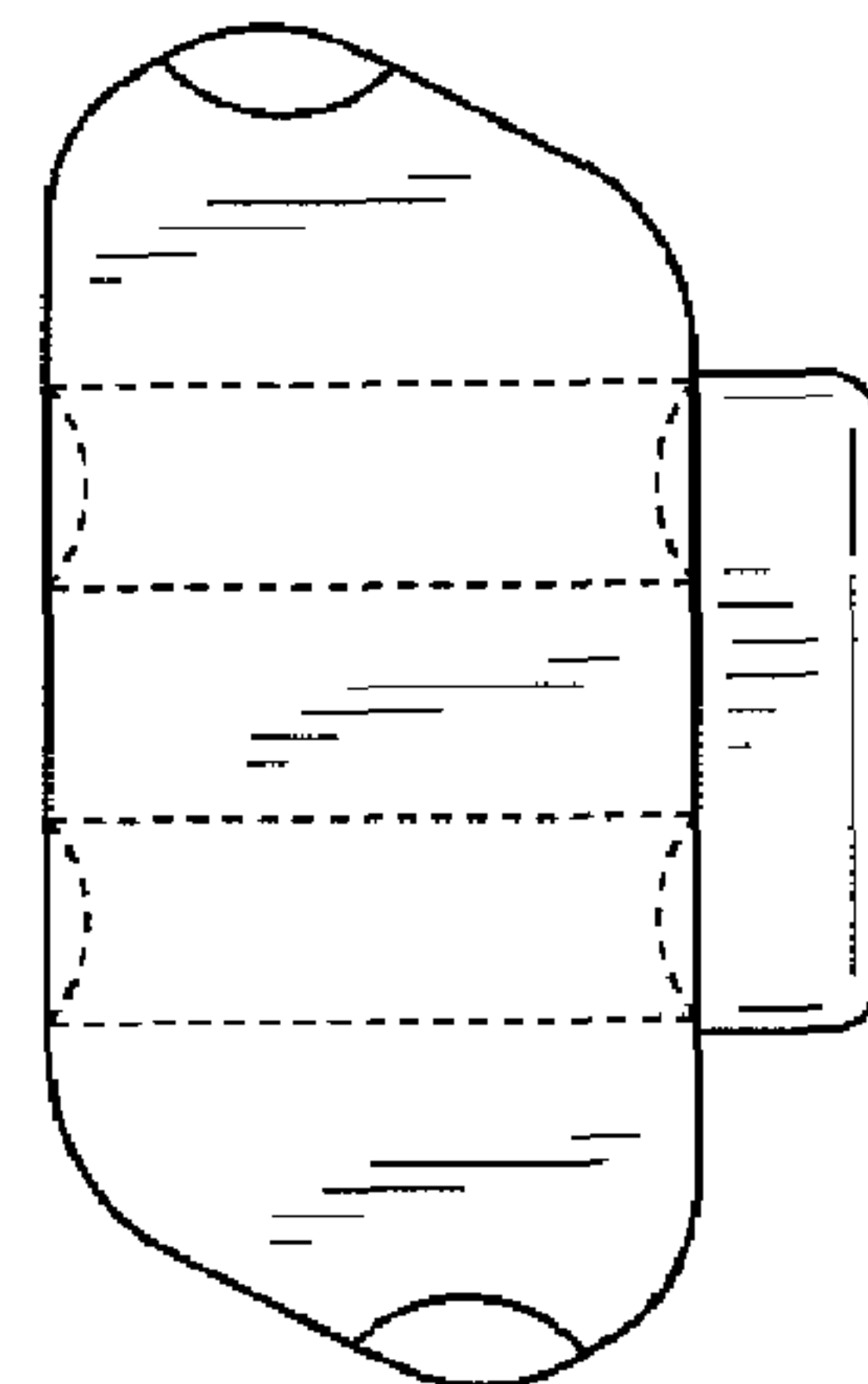


FIG. 7

FIG. 8



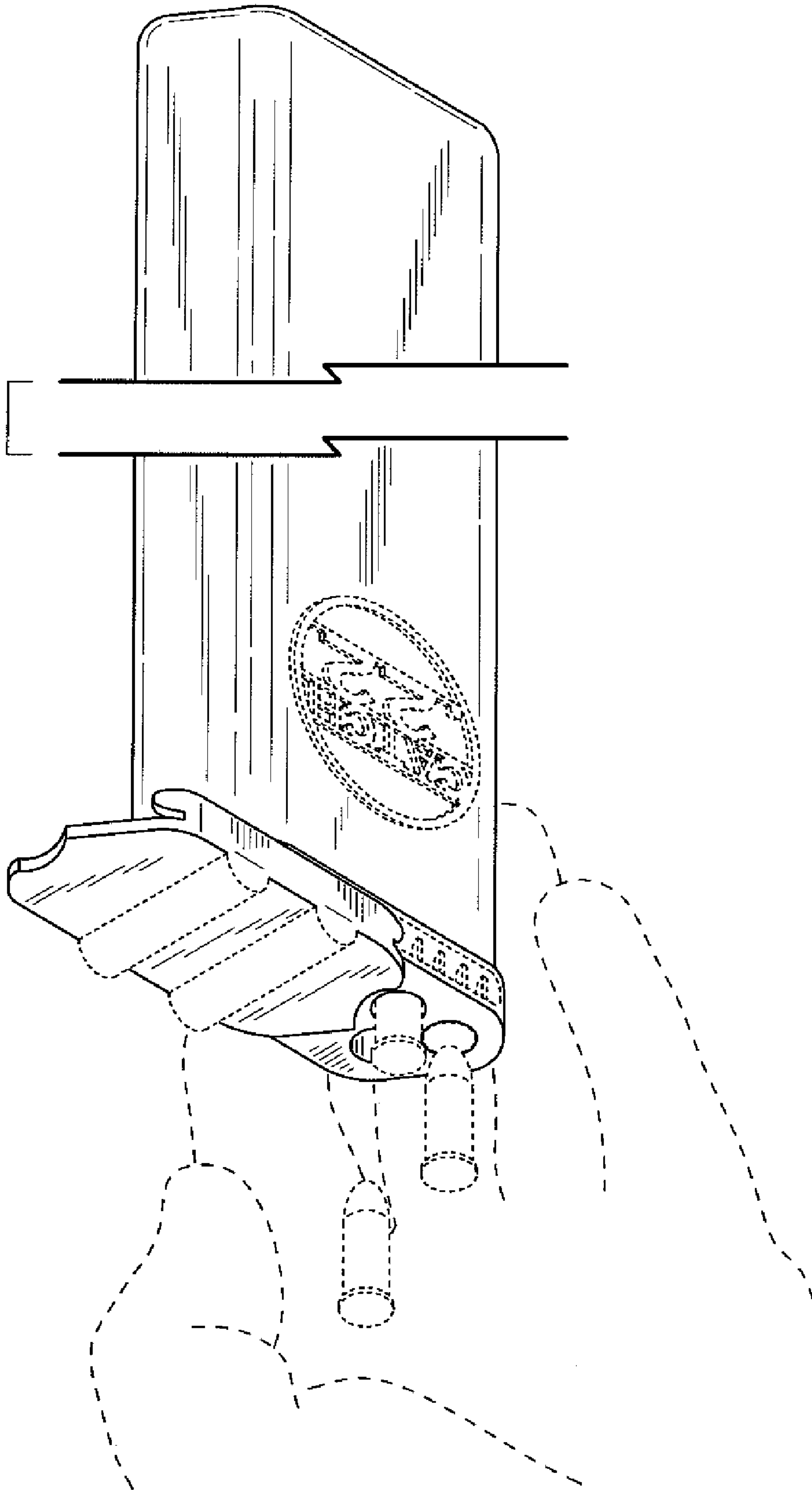


FIG. 9